

## Section H11

### General dimensions

The illustrations in this section are provided to assist in assessing accident damage to the sub-frame and suspension components.

If damage is suspected the suspension and steering geometry should be checked prior to the removal of components for dimensional examination.

If damage to the sub-frame is suspected, the removal of the complete sub-frame unit will be necessary, for details refer to Section H1.

Suspected damage to the rear crossmember or trailing arms will mean the removal of the complete rear crossmember unit, refer to Section H7.

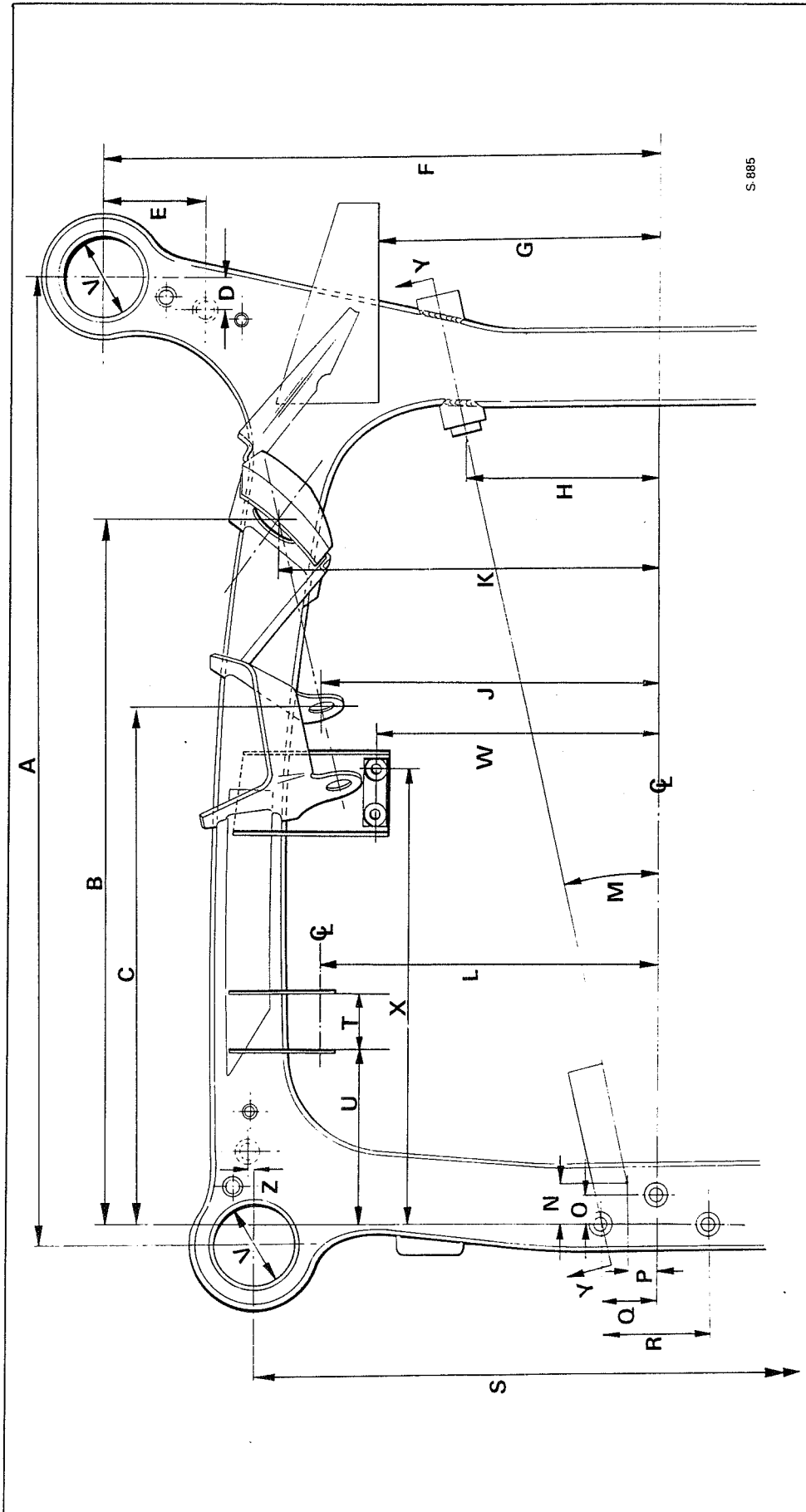
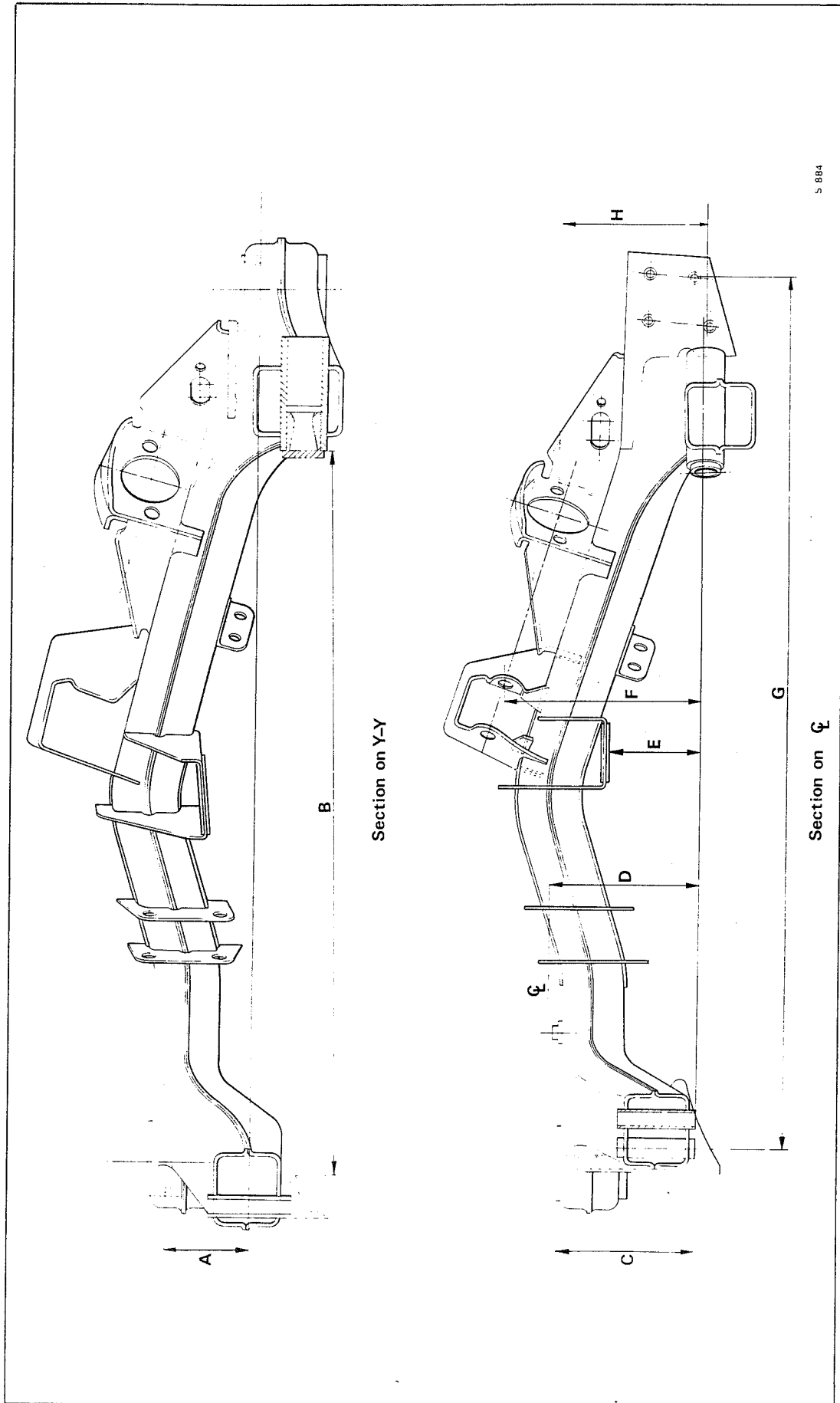


Fig. H41 Front sub-frame (plan view)

A	96,09 cm. (37.832 in.)	J	32,90 cm. (12.952 in.)
B	71,91 cm. (28.312 in.)	K	37,33 cm. (14.698 in.)
C	51,91 cm. (20.437 in.)	L	33,02 cm. (13.000 in.)
D	2,86 cm. (1.125 in.)	M	12° 30'
E	10,48 cm. (4.125 in.)	N	3,81 cm. (1.500 in.)
F	55,13 cm. (21.703 in.)	O	2,86 cm. (1.125 in.)
G	28,58 cm. (11.250 in.)	P	2,70 cm. (1.062 in.)
H	19,63 cm. (7.727 in.)	R	5,27 cm. (2.075 in.)
I		S	78,74 cm. (31.000 in.)
J		T	5,33 cm. (2.098 in.)
K		U	20,96 cm. (8.250 in.)
L		V	6,03 cm. (2.375 in.)
M		W	27,00 cm. (10.630 in.)
N		X	45,39 cm. (17.869 in.)
O		Z	0,79 cm. (0.312 in.)
P			
Q			
R			
S			

Y-Y View on side elevation (see fig H42)

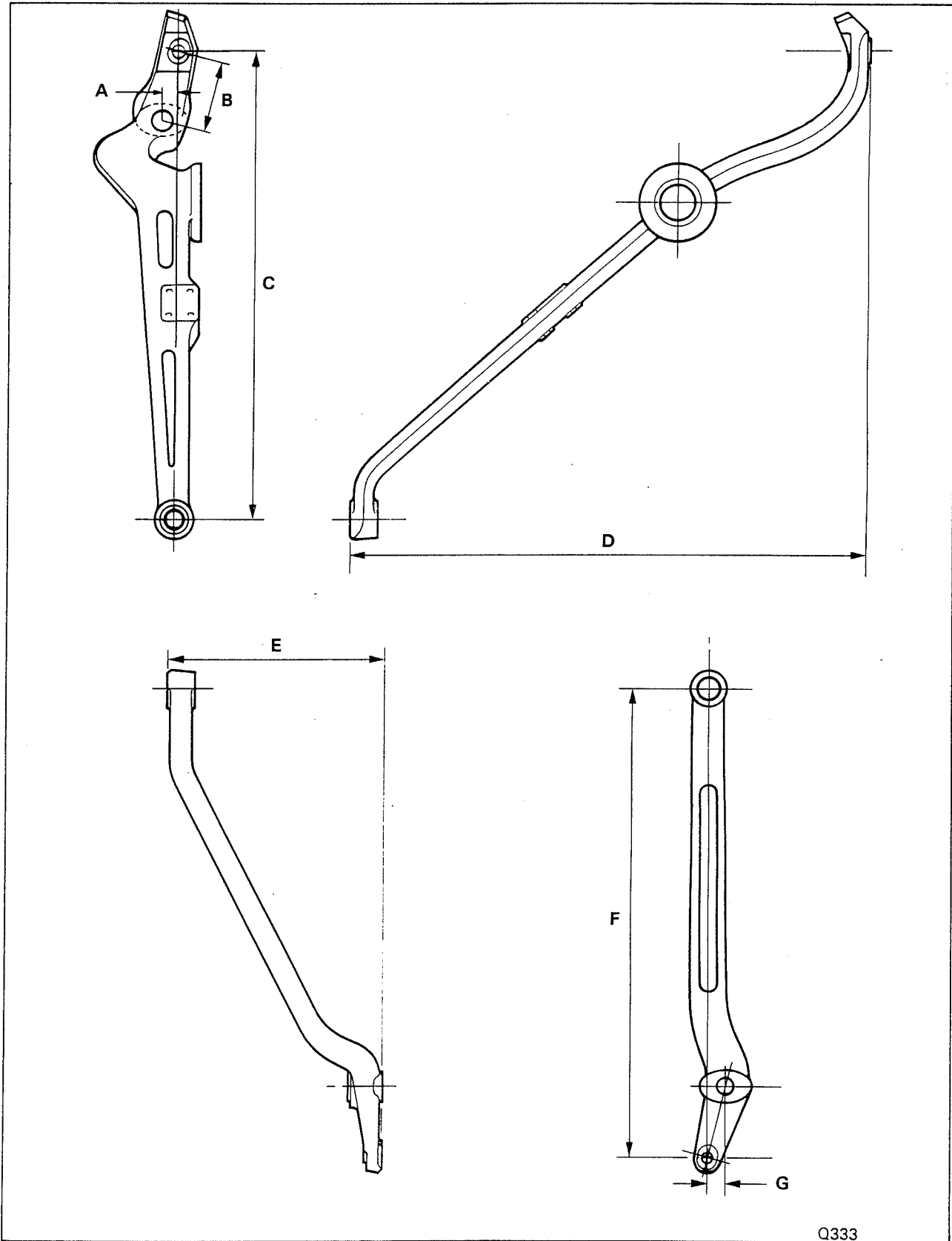


S 884

Fig. H42 Front sub-frame (side elevation)

- A 8,97 cm. (3.531 in.)
- B 78,26 cm. (30.810 in.)
- C 15,82 cm. (6.228 in.)
- D 16,03 cm. (6.312 in.)
- E 10,04 cm. (3.953 in.)
- F 22,16 cm. (8.726 in.)
- G 100,75 cm. (39.666 in.)
- H 17,09 cm. (6.729 in.)

H11 - 4



Q333

Fig. H43 Triangle levers

- A 1,65 cm. (0.650 in.)
- B 7,14 cm. (2.812 in.)
- C 46,99 cm. (18.50 in.)
- D 51,40 cm. (20.238 in.)

- E 21,18 cm. (8.337 in.)
- F 46,99 cm. (18.50 in.)
- G 1,65 cm. (0.650 in.)

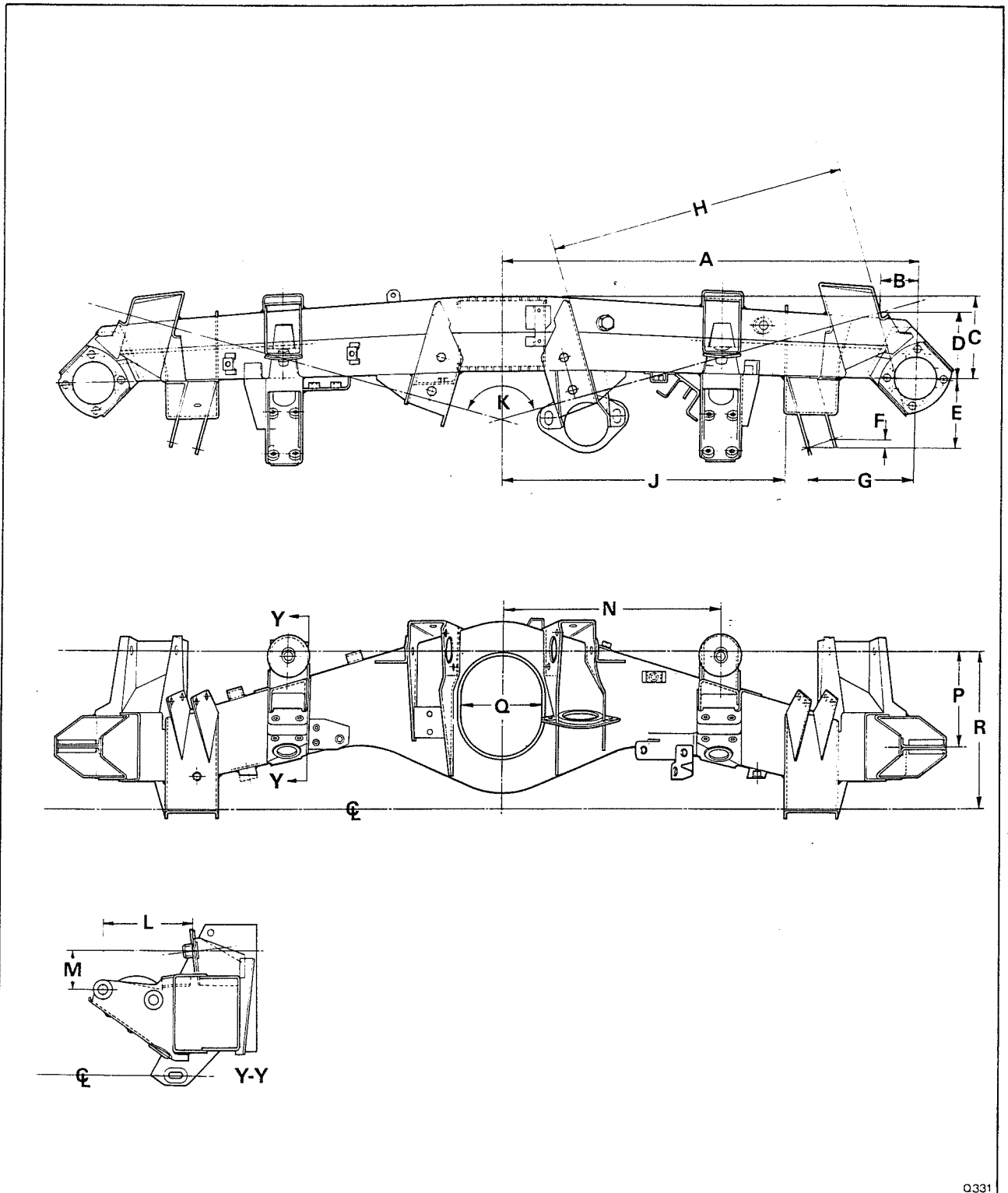
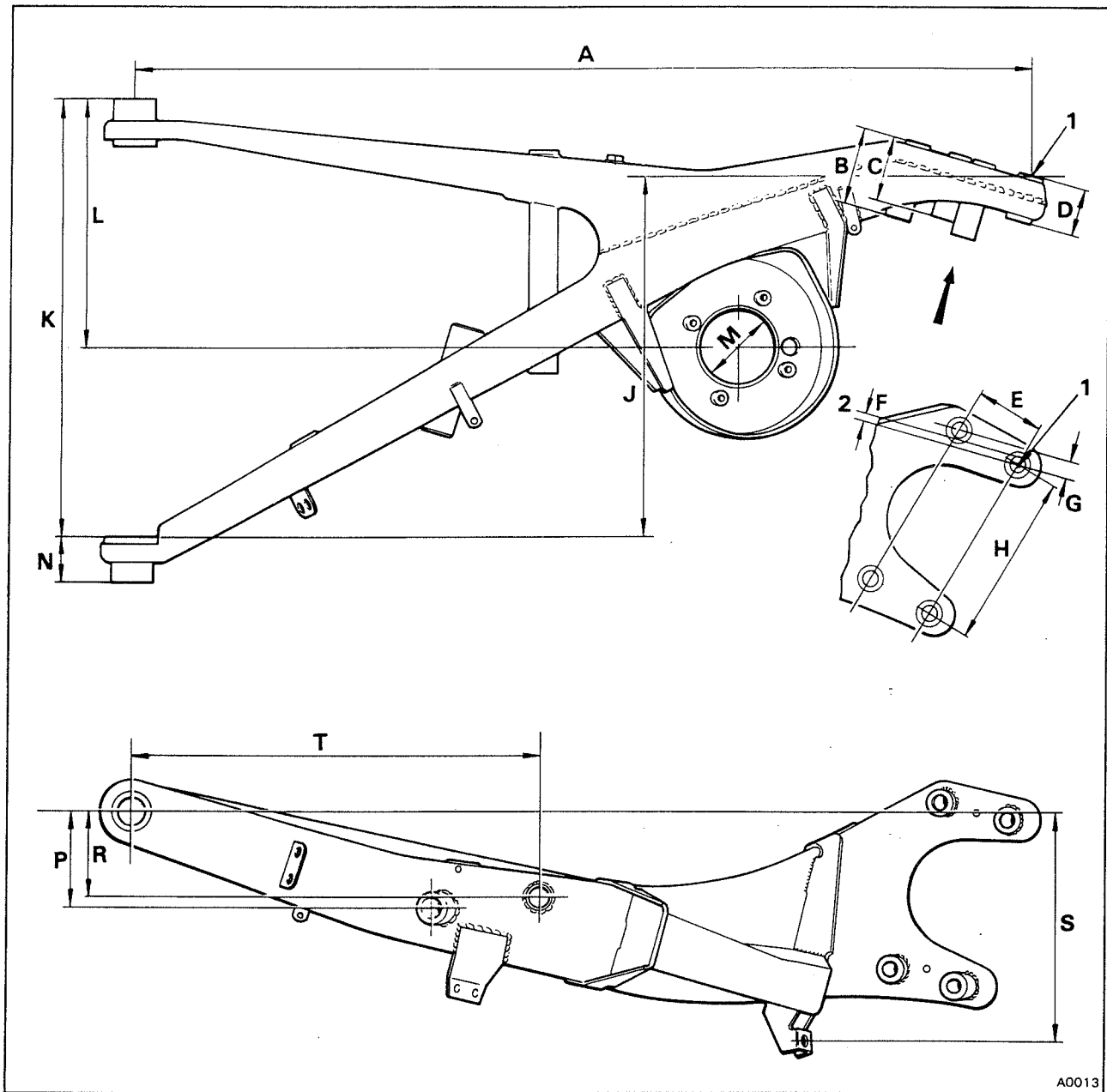


Fig. H44 Rear crossmember

- |   |                        |   |                        |
|---|------------------------|---|------------------------|
| A | 57,15 cm. (22.50 in.)  | J | 39,61 cm. (15.593 in.) |
| B | 5,12 cm. (2.016 in.)   | K | 147° 36' reference     |
| C | 11,51 cm. (4.531 in.)  | L | 12,59 cm. (4.956 in.)  |
| D | 9,65 cm. (3.80 in.)    | M | 6,19 cm. (2.437 in.)   |
| E | 9,21 cm. (3.625 in.)   | N | 30,32 cm. (11.937 in.) |
| F | 0,975 cm. (0.384 in.)  | P | 13,49 cm. (5.312 in.)  |
| G | 14,33 cm. (5.641 in.)  | Q | 11,61 cm. (4.570 in.)  |
| H | 40,96 cm. (16.125 in.) | R | 22,22 cm. (8.750 in.)  |

H11 - 6



A0013

Fig. H45 Trailing arm (right-hand shown)

A 82,41 cm. (32.445 in.)	G 1,64 cm. (0.647 in.)	N 4,19 cm. (1.650 in.)
B 6,95 cm. (2.737 in.)	H 16,07 cm. (6.325 in.)	P 8,89 cm. (3.500 in.)
C 5,36 cm. (2.112 in.)	J 33,40 cm. (13.150 in.)	R 7,87 cm. (3.100 in.)
D 4,09 cm. (1.612 in.)	K 40,76 cm. (16.050 in.)	S 20,50 cm. (8.073 in.)
E 6,35 cm. (2.500 in.)	L 23,28 cm. (9.166 in.)	T 37,94 cm (14.937 in.)
F 6,83 mm. (0.269 in.)	M 7,09 cm (2.790 in.)	1 Datum point
		2 Datum line