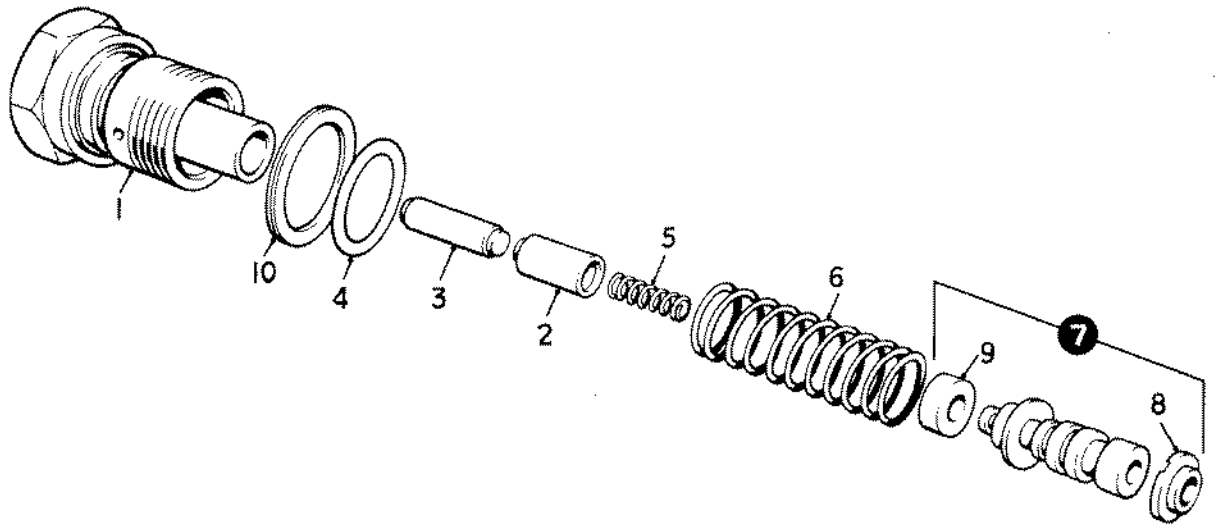


SECTION L.

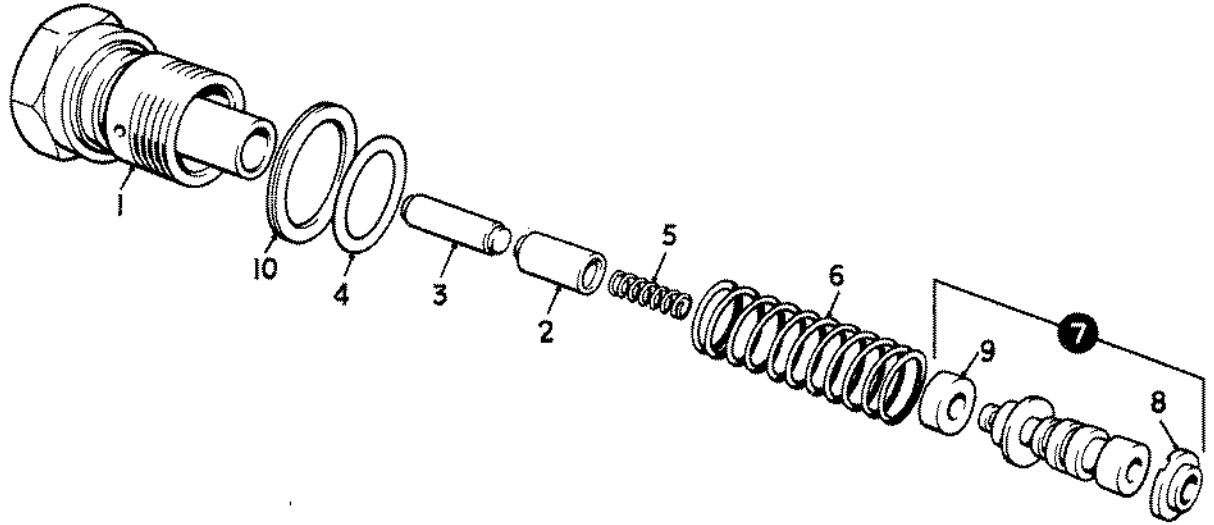
PRESSURE CONTROL VALVE

TITLE	GEARBOX SERIES	PAGE
PRESSURE CONTROL VALVE	C. C-C. C-E. C-E8. C-SW. C-P. C-PC. C-SWM. SM. SM-C.	L.1
	T.	L.2



Ref.	Part No.	Description	No. off
(1)	UG.500	PLUG, BLANKING, PRESSURE CONTROL VALVE ASSY.	1
(2)	UG.519	PLUG, reverse booster	1
(3)	UG.630	PLUG, throttle valve pressure	1
(4)	UG.128	RING, sealing, blanking plug	1
(5)	UG.752	SPRING, dampener, valve	1
(6)	UG.741	SPRING, valve	1
(7)	UG.503	VALVE, PRESSURE CONTROL—ASSY.	1
(8)	UG.453	Cushion, inner	1
(9)	UG.464	Cushion, outer	1
(10)	UG.294	WASHER, joint, blanking plug	1

PRESSURE CONTROL VALVE



Ref.	Part No.	Description	No. off
(1)	UG.500	PLUG, BLANKING, PRESSURE CONTROL VALVE ASSY.	1
(2)	UG.519	PLUG, reverse booster	1
(3)	UG.630	PLUG, throttle valve pressure	1
(4)	UG.128	RING, sealing, blanking plug	1
(5)	UG.752	SPRING, dampener, valve	1
(6)	UG.3837	SPRING, valve	1
(7)	UG.503	VALVE, PRESSURE CONTROL—ASSY.	1
(8)	UG.453	Cushion, inner	1
(9)	UG.464	Cushion, outer	1
(10)	UG.294	WASHER, joint, blanking plug	1

PRESSURE CONTROL VALVE