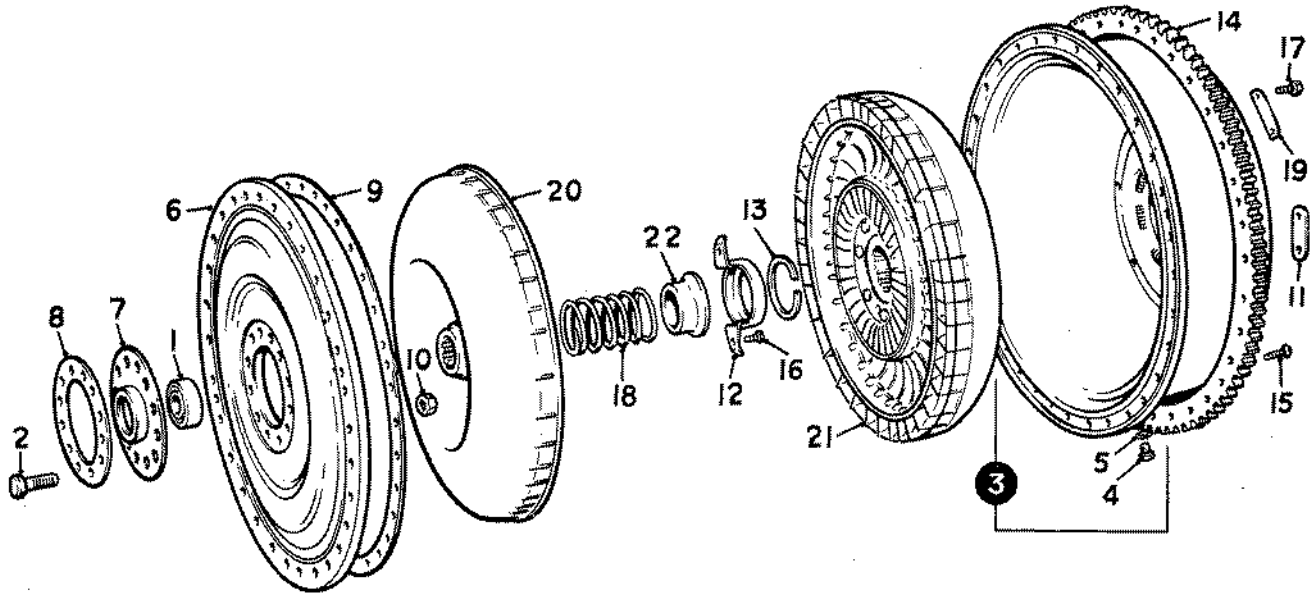


SECTION B.

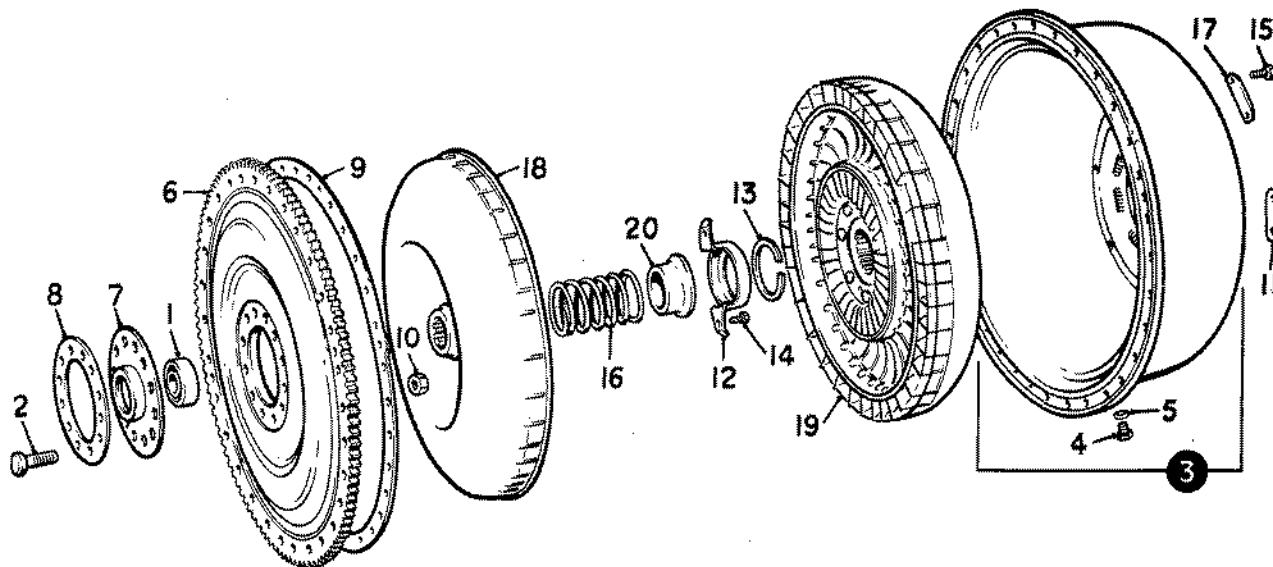
FLYWHEEL.

TITLE	GEARBOX SERIES	PAGE
FLYWHEEL (Cast Iron Casing)	C.	B.1
FLYWHEEL (Aluminium Casing)	C.	B.2
	C-PC.	B.3
	C. C-C. C-E. C-E8.	B.4
	SM. SM-C. C-SW. C-SWM.	B.5
	SM. SM-C. C-SW. C-SWM.	B.6
	T.	B.7



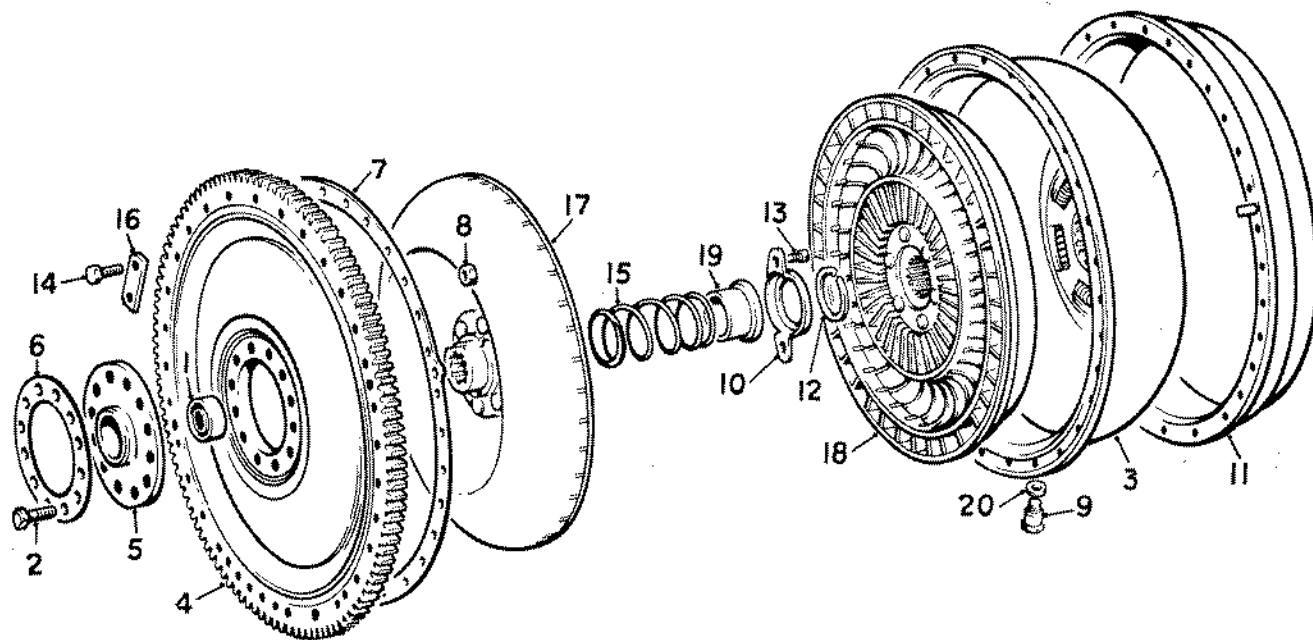
Ref.	Part No.	Description	No. off	Ref.	Part No.	Description	No. off
(1)	RE.13183	BEARING, ball, flywheel	1	(18)	UG.289	SPRING, relief valve	1
	RE.13184	BEARING, ball, flywheel	1	(19)		STRIP, balancing	1 as reqd.
	RE.22518	BEARING, ball, flywheel	1		UE.1380	2.000" × .018" thick	
(2)	RE.18405	BOLT, crankshaft	Alt. 12		UE.1379	2.000" × .022" thick	
(3)	UG.1842	COVER, TORUS—ASSY.	1		UE.1378	2.000" × .028" thick	
(4)	UA.1155/Z	Plug, drain	1		UE.1377	2.000" × .048" thick	
(5)	UG.3785	Washer, joint, plug	1		UE.1376	2.000" × .064" thick	
(6)	UE.1006	FLYWHEEL—ASSY.	1		UE.1385	2.400" × .018" thick	
(7)	RE.13448	HOUSING, bearing	1		UE.1384	2.400" × .022" thick	
(8)	RE.13189	JOINT, crankshaft to flywheel	1		UE.1383	2.400" × .028" thick	
(9)	UG.134	JOINT, flywheel to cover	1		UE.1382	2.400" × .048" thick	
(10)	K.4010/Z	NUT, bolt, crankshaft	12		UE.1381	2.400" × .064" thick	
(11)	RE.18099	RETAINER, flywheel dowels	2		UE.1390	2.800" × .018" thick	
(12)	UG.217	RETAINER, relief valve	1		UE.1389	2.800" × .022" thick	
(13)	UG.170	RING, spring, driving torus	1		UE.1388	2.800" × .028" thick	
(14)	UE.1003	RING, starter, flywheel	1		UE.1387	2.800" × .048" thick	
(15)	K.2801/Z	SCREW, starter ring	2	(20)	UG.2557	TORUS, DRIVEN—ASSY.	1
(16)	UA.101/R	SCREW, retainer, relief valve	2	(21)	UG.2556	TORUS, DRIVING—ASSY.	1
(17)	UE.1373	SCREW, flywheel	30	(22)	UG.356	VALVE, relief, torus	1

FLYWHEEL (WITHOUT INERTIA RING)
(CAST IRON FLYWHEEL CASING)



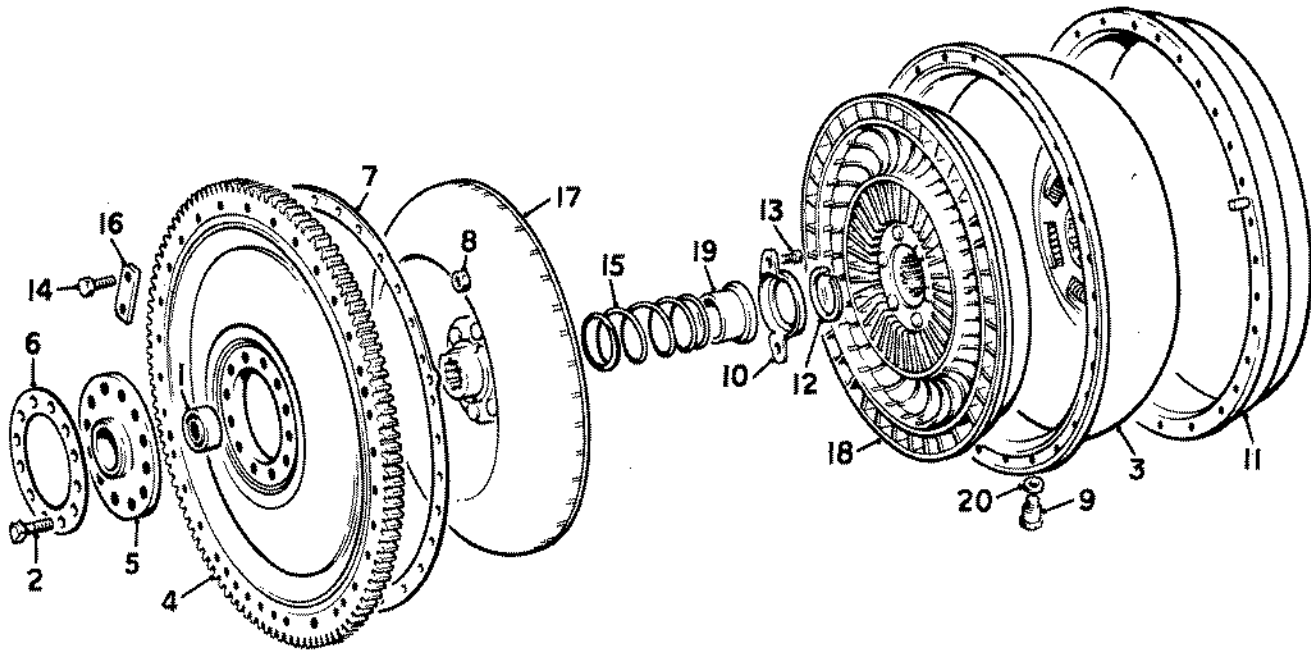
Ref.	Part No.	Description	No. off	Ref.	Part No.	Description	No. off
(1)	RE.13183	BEARING, ball, flywheel	1	(16)	UG.289	SPRING, relief valve	1
	RE.13184	BEARING, ball, flywheel	1	(17)		STRIP, balancing] as reqd.
	RE.22518	BEARING, ball, flywheel	1		UE.1380	2.000" × .018" thick	
			Alt.		UE.1379	2.000" × .022" thick	
(2)	RE.18405	BOLT, crankshaft	12		UE.1378	2.000" × .028" thick	
(3)	UG.506	COVER, TORUS—ASSY.	1		UE.1377	2.000" × .048" thick	
(4)	UA.1155/Z	Plug, drain	1		UE.1376	2.000" × .064" thick	
(5)	UG.3785	Washer, joint, plug	1		UE.1385	2.400" × .018" thick	
(6)	UE.1399	FLYWHEEL, ASSY. Bentley "R" Type	1		UE.1384	2.400" × .022" thick	
	UE.1153	FLYWHEEL, ASSY. Phantom IV—4BP7 only	1		UE.1383	2.400" × .028" thick	
					UE.1382	2.400" × .048" thick	
(7)	RE.13448	HOUSING, bearing	1		UE.1381	2.400" × .064" thick	
(8)	RE.13189	JOINT, crankshaft to flywheel	1		UE.1390	2.800" × .018" thick	
(9)	UG.134	JOINT, flywheel to cover	1		UE.1389	2.800" × .022" thick	
(10)	K.4010/Z	NUT, bolt, crankshaft	12		UE.1388	2.800" × .028" thick	
(11)	RE.18099	RETAINER, flywheel dowels	2		UE.1387	2.800" × .048" thick	
(12)	UG.217	RETAINER, relief valve	1		UE.1386	2.800" × .064" thick	
(13)	UG.170	RING, spring, driving torus	1	(18)	UG.2557	TORUS, DRIVEN—ASSY.	1
(14)	UA.101/R	SCREW, retainer, relief valve	2	(19)	UG.2556	TORUS, DRIVING—ASSY.	1
(15)	UE.1373	SCREW, flywheel	30	(20)	UG.356	VALVE, relief, torus	1

FLYWHEEL (WITHOUT INERTIA RING)
(ALUMINIUM FLYWHEEL CASING)



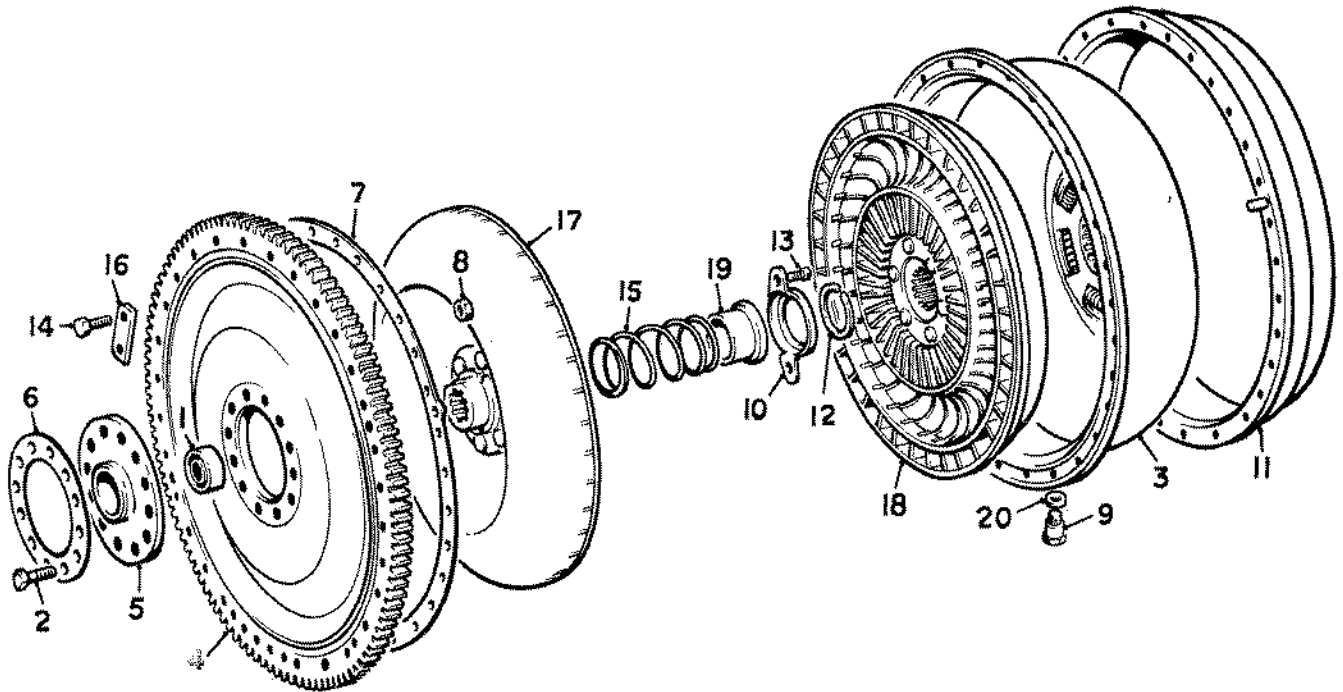
Ref.	Part No.	Description	No. off	Ref. Part No.	Description	No. off
(1)	RE.13183	BEARING, ball, flywheel	1	UE.1380	STRIP, balancing	as reqd.
	RE.13184	BEARING, ball, flywheel	1	UE.1379	2.000" × .022" thick	
	RE.22518	BEARING, ball, flywheel	1	UE.1378	2.000" × .028" thick	
(2)	UE294	BOLT, crankshaft	12	UE.1377	2.000" × .048" thick	
(3)	UG.1337	COVER, TORUS—ASSY.	1	Alt. UE.1376	2.000" × .064" thick	
(4)	UE.1522	FLYWHEEL	1	UE.1385	2.400" × .018" thick	
(5)	RE.13448	HOUSING, bearing	1	UE.1384	2.400" × .022" thick	
(6)	RE.13189	JOINT, crankshaft to flywheel	1	UE.1383	2.400" × .028" thick	
(7)	UG.134	JOINT, flywheel to cover	1	UE.1382	2.400" × .048" thick	
(8)	RE.22428	NUT, bolt, crankshaft bolts	12	UE.1381	2.400" × .064" thick	
(9)	UG.1313	PLUG, drain	1	UE.1380	2.800" × .018" thick	
(10)	UG.217	RETAINER, relief valve	1	UE.1389	2.800" × .022" thick	
(11)	UG.1315	RING, INERTIA—ASSY.	1	UE.1388	2.800" × .028" thick	
(12)	UG.170	RING, spring, driving torus	1	UE.1387	2.800" × .048" thick	
(13)	UA.101/R	SCREW, retainer, relief valve	2	UE.1386	2.800" × .064" thick	
(14)	UE.1411	SCREW, flywheel	30	(17) UG.2557	TORUS, DRIVEN—ASSY.	
(15)	UG.289	SPRING, relief valve	1	(18) UG.2556	TORUS, DRIVING—ASSY.	1
				(19) UG.356	VALVE, relief, torus	1
				(20) UG.3785	WASHER, joint, plug	1

FLYWHEEL (WITH INERTIA RING)



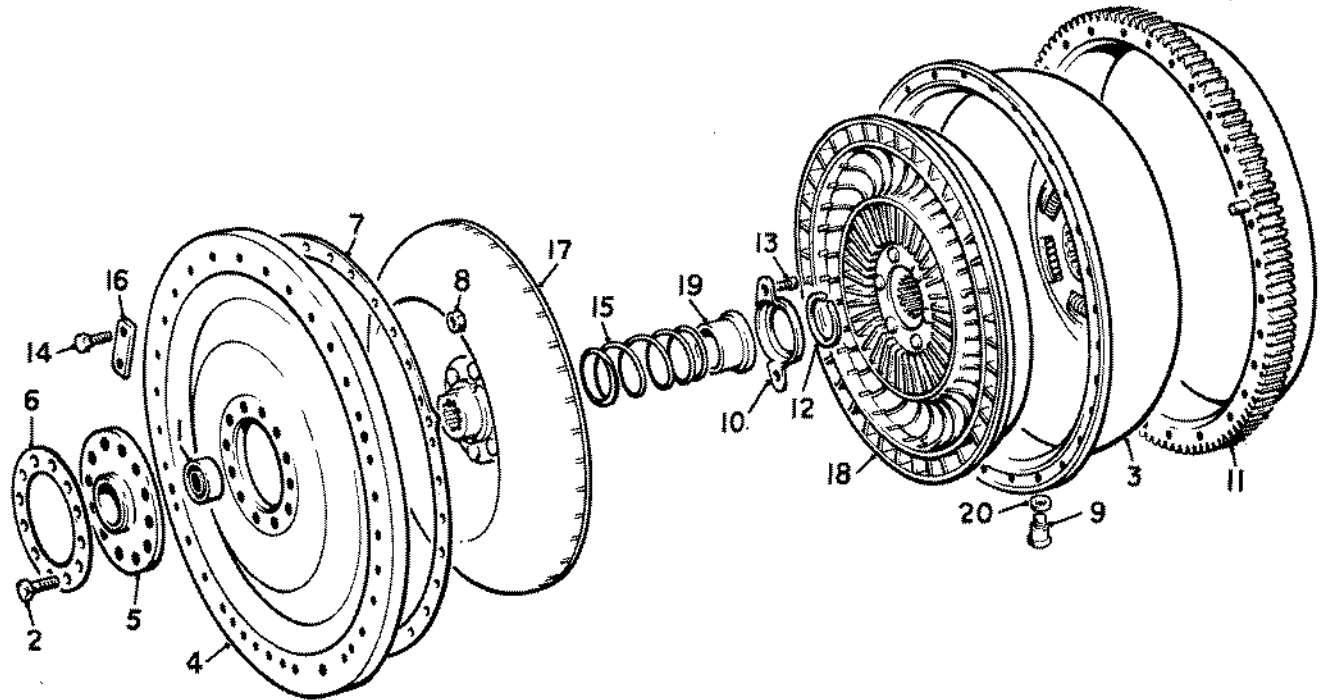
Ref.	Part No.	Description	No. off	Ref.	Part No.	Description	No. off
				(16)		STRIP, balancing	
					UE.1380	2.000" × .018" thick] as reqd.
					UE.1379	2.000" × .022" thick	
					UE.1378	2.000" × .028" thick	
					UE.1377	2.000" × .048" thick	
					UE.1376	2.000" × .064" thick	
(1)	RE.13181	BEARING, ball, flywheel	1		UE.1385	2.400" × .018" thick	
	RE.13184	BEARING, ball, flywheel	1		UE.1384	2.400" × .022" thick	
	RE.22518	BEARING, ball, flywheel	1		UE.1383	2.400" × .028" thick	
			Alt.		UE.1382	2.400" × .048" thick	
(2)	RE.18405	BOLT, crankshaft	12		UE.1381	2.400" × .064" thick	
(3)	UG.1337	COVER, TORUS—ASSY.	1		UE.1390	2.800" × .018" thick	
(4)	UE.1406	FLYWHEEL	1		UE.1389	2.800" × .022" thick	
(5)	RE.13448	HOUSING, bearing	1		UE.1388	2.800" × .028" thick	
(6)	RE.13189	JOINT, crankshaft to flywheel	1		UE.1387	2.800" × .048" thick	
(7)	UG.134	JOINT, flywheel to cover	1		UE.1386	2.800" × .064" thick	
(8)	K.4010/Z	NUT, bolt, crankshaft	12	(17)	UG.2557	TORUS, DRIVEN—ASSY.	1
(9)	UG.1313	PLUG, drain	1	(18)	UG.2556	TORUS, DRIVING—ASSY.	1
(10)	UG.217	RETAINER, relief valve	1	(19)	UG.356	VALVE, relief, torus	1
(11)	UG.1315	RING, INERTIA—ASSY.	1	(20)	UG.3785	WASHER, joint, plug	1
(12)	UG.170	RING, spring, driving torus	1				
(13)	UA.101/R	SCREW, retainer, relief valve	2				
(14)	UE.1411	SCREW, flywheel	30				
(15)	UG.289	SPRING, relief valve	1				

FLYWHEEL (WITH INERTIA RING)
STARTER RING INTEGRAL WITH FLYWHEEL



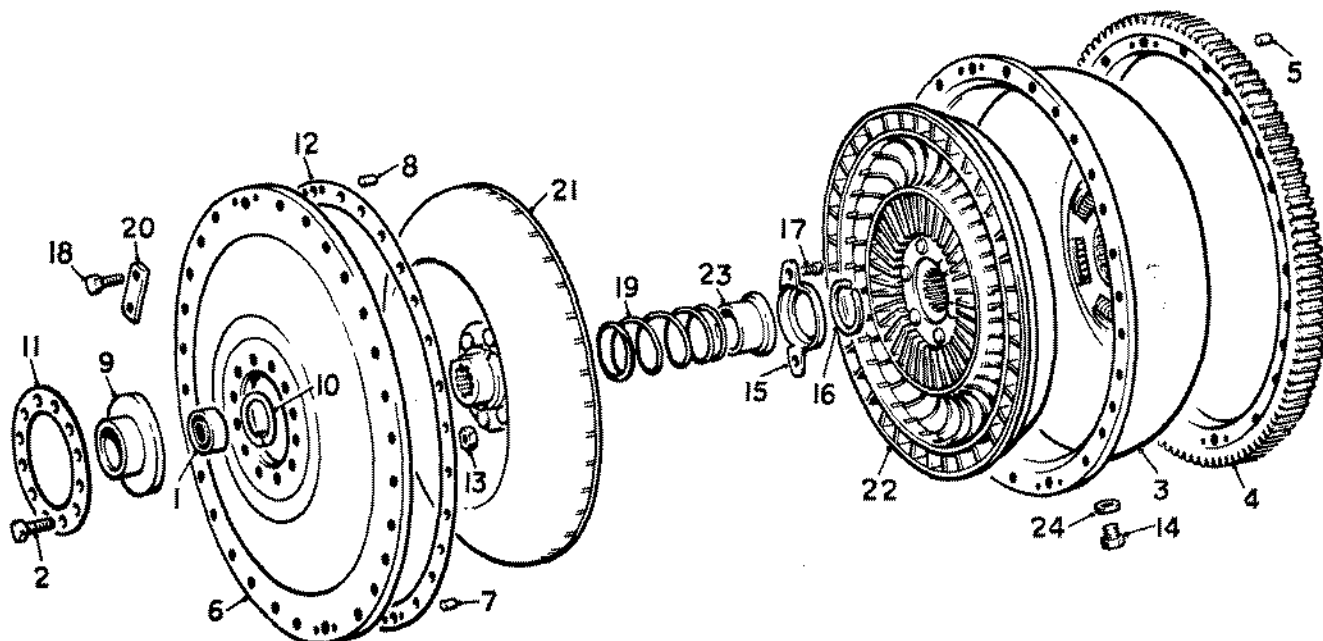
Ref.	Part No.	Description	No. off	Ref. Part No.	Description	No. off
				(16)	STRIP, balancing	
(1)	RE.13183	BEARING, ball, flywheel	1	UE.1380	2.000" × .018" thick] as reqd.
	RE.13184	BEARING, ball, flywheel	1	UE.1379	2.000" × .022" thick	
	RE.22518	BEARING, ball, flywheel	1	UE.1378	2.000" × .028" thick	
			Alt.	UE.1377	2.000" × .048" thick	
				UE.1376	2.000" × .064" thick	
(2)	UE.294	BOLT, crankshaft	12	UE.1385	2.400" × .018" thick	
(3)	UG.1337	COVER, TORUS—ASSY.	1	UE.1384	2.400" × .022" thick	
(4)	UE.2468	FLYWHEEL	1	UE.1383	2.400" × .028" thick	
(5)	RE.13448	HOUSING, bearing	1	UE.1382	2.400" × .048" thick	
(6)	RE.13189	JOINT, crankshaft to flywheel	1	UE.1381	2.400" × .064" thick	
(7)	UG.134	JOINT, flywheel to cover	1	UE.1390	2.800" × .018" thick	
(8)	RE.22428	NUT, bolt, crankshaft bolts	12	UE.1389	2.800" × .022" thick	
(9)	UG.1313	PLUG, drain	1	UE.1388	2.800" × .028" thick	
(10)	UG.217	RETAINER, relief valve	1	UE.1387	2.800" × .048" thick	
(11)	UG.1315	RING, INERTIA—ASSY.	1	UE.1386	2.800" × .064" thick	
(12)	UG.170	RING, spring, driving torus	1	(17) UG.2557	TORUS, DRIVEN—ASSY.	1
(13)	UA.101/R	SCREW, retainer, relief valve	2	(18) UG.2556	TORUS, DRIVING—ASSY.	1
(14)	UE.1411	SCREW, flywheel	30	(19) UG.356	VALVE, relief, torus	1
(15)	UG.289	SPRING, relief valve	1	(20) UG.3785	WASHER, joint, plug	1

FLYWHEEL (WITH INERTIA RING)
STARTER RING INTEGRAL WITH FLYWHEEL



Ref.	Part No.	Description	No. off	Ref. Part No.	Description	No. off
(1)	RE.13183	BEARING, ball, flywheel	1	(16) UE.1380	STRIP, balancing] as reqd.
	RE.13184	BEARING, ball, flywheel	1	UE.1379	2.000" × .022" thick	
	RE.22518	BEARING, ball, flywheel	1	UE.1378	2.000" × .028" thick	
			Alt.	UE.1377	2.000" × .048" thick	
(2)	UE.294	BOLT, crankshaft	12	UE.1376	2.000" × .064" thick	
(3)	UG.1501	COVER, TORUS—ASSY.	1	UE.1385	2.400" × .018" thick	
(4)	UE.1721	FLYWHEEL	1	UE.1384	2.400" × .022" thick	
(5)	RE.13448	HOUSING, bearing	1	UE.1383	2.400" × .028" thick	
(6)	RE.13189	JOINT, crankshaft to flywheel	1	UE.1382	2.400" × .048" thick	
(7)	UG.134	JOINT, flywheel to cover	1	UE.1381	2.400" × .064" thick	
(8)	RE.22428	NUT, bolt, crankshaft	12	UE.1390	2.800" × .018" thick	
(9)	UG.1313	PLUG, drain	1	UE.1389	2.800" × .022" thick	
(10)	UG.217	RETAINER, relief valve	1	UE.1388	2.800" × .028" thick	
(11)	UG.1502	RING, INERTIA—ASSY.	1	UE.1387	2.800" × .048" thick	
(12)	UG.170	RING, spring, driving torus	1	UE.1386	2.800" × .064" thick	
(13)	UA.101/R	SCREW, retainer, relief valve	2	(17) UG.2557	TORUS, DRIVEN—ASSY.	1
(14)	UE.1411	SCREW, flywheel	30	(18) UG.2556	TORUS, DRIVING—ASSY.	1
(15)	UG.289	SPRING, relief valve	1	(19) UG.356	VALVE, relief, torus	1
				(20) UG.3785	WASHER, joint, plug	1

FLYWHEEL (WITH INERTIA RING)
STARTER RING INTEGRAL WITH INERTIA RING



Ref.	Part No.	Description	No. off	Ref.	Part No.	Description	No. off
(1)	RE.13183	BEARING, flywheel	1	(20)		STRIP, balancing	as reqd.
	RE.13184	BEARING, flywheel	1	UE.1380	2.000" × .018" thick		
(2)	UE.294	BOLT, crankshaft to flywheel	12	UE.1379	2.000" × .022" thick		
(3)	UG.3541	COVER, TORUS, ASSY.	1	UE.1378	2.000" × .028" thick		
(4)	UE.6184	RING, STARTER, ASSY.	1	UE.1377	2.000" × .048" thick		
(5)	UE.5809	Pin, fouling	1	UE.1376	2.000" × .064" thick		
(6)	UE.6021	FLYWHEEL, ASSY.	1	UE.1385	2.400" × .018" thick		
(7)	UE.5807	Dowel	1	UE.1384	2.400" × .022" thick		
(8)	UE.5808	Dowel	1	UE.1383	2.400" × .028" thick		
(9)	UE.4913	HOUSING, bearing	1	UE.1382	2.400" × .048" thick		
(10)	KB.14035	CIRCLIP, bearing	1	UE.1381	2.400" × .064" thick		
(11)	UE.5827	JOINT, crankshaft to flywheel	1	UE.1390	2.800" × .018" thick		
(12)	UG.134	JOINT, flywheel to torus cover	1	UE.1389	2.800" × .022" thick		
(13)	RE.22428	NUT, crankshaft, bolt	12	UE.1388	2.800" × .028" thick		
(14)	UA.1155/Z	PLUG, torus cover	1	UE.1387	2.800" × .048" thick		
(15)	UG.217	RETAINER, torus relief valve	1	UE.1386	2.800" × .064" thick		
(16)	UG.170	RING, spring, driving torus	1	(21)	UG.2557	TORUS, DRIVEN—ASSY.	1
(17)	UA.101/R	SCREW, retainer to driven hub	2	(22)	UG.2556	TORUS, DRIVING—ASSY.	1
(18)	UE.7851	SCREW, flywheel	30	(23)	UG.356	VALVE, relief, torus	1
(19)	UG.289	SPRING, torus relief valve	1	(24)	UG.3785	WASHER, joint, drain plug	1

FLYWHEEL (WITHOUT INERTIA RING)