

Headlamp dipping utilizing the headlamp flash switch

Applicable to

Rolls-Royce
 Silver Shadow
 Silver Shadow Long Wheelbase
 Silver Shadow II
 Silver Wraith II
 Corniche (prior to VIN 12000)
 Camargue
 Silver Spirit (prior to VIN 12000)
 Silver Spur (prior to VIN 12000)

Bentley

T Series
 T2
 Corniche (prior to VIN 12000)
 Mulsanne (prior to VIN 12000)
 Mulsanne Turbo
 Eight (prior to VIN 12000)
 Turbo R (prior to VIN 12000)

Description

This Product Support Information Sheet gives details of how to effect a change from a foot operated headlamp dip switch, to the benefits of headlamp dipping from the headlamp flash switch on earlier motor cars.

The change is designed to utilize as many existing components and wires as possible, in that it replaces the foot operated dip switch with a new dipping relay controlled by a sequencing relay. The diagram shows a number of wires marked *. These are existing cables which may only need to be re-routed or changed in length. New wires are designated in full e.g. 1.0 UB.

Although the various specifications of applicable motor cars exhibit detail differences in wiring and component positioning, the principle remains the same. It is therefore necessary to cross-reference the wiring diagram in this Product Support Information Sheet with the appropriate wiring diagram for the particular motor car. Also to become fully familiar with the wiring on the motor car itself before starting work.

This conversion makes one change to the headlamp function. If the headlamps are switched on before the ignition, they will always be on dipped beam. However, when the ignition is switched on, they will revert to their normal function, that is either on main or dipped beam depending on the position of the sequencing relay.

Procedure

- 1.) Disconnect the battery.
- 2.) Locate the headlamp safety relay and headlamp flash relay for the appropriate model (see figs).

M29-1 Relay positions (Silver Shadow, Bentley T Series and derivatives)

1	Headlamp flash relay
2	Headlamp safety relay

M29-2 Relay positions (Silver Shadow II, Bentley T2 and derivatives)

1	Left-hand front earth
2	Headlamp safety relay
3	Headlamp flash relay

M29-3 Relay positions (Silver Spirit, Bentley Mulsanne and derivatives)

1	Headlamp safety relay
2	Headlamp flash relay

M29-1, M29-2, and M29-3). Identify the connections, referring to the motor car wiring diagram in the appropriate Workshop Manual.

- 3.) Select suitable positions for the additional headlamp relay and headlamp sequencing relay, preferably close to the headlamp safety relay and headlamp flash relay.
- 4.) Identify the wiring to the foot operated dip switch. Re-route this wiring to the new headlamp sequencing dipping relay connections as shown in figure

M29-4 Relay connections

A	Sequencing relay
B	Conventional relay

- 5.) Produce new cables to complete the circuit

M29-5 Hand operated headlamp dipping wiring diagram

1	Rear fog lamp relay connection (depending on vehicle/model)
2	Headlamps
3	Main beam warning lamp
4	Headlamp flash/dipping switch
5	Headlamp safety relay
6	New headlamp dipping relay
7	Headlamp flash relay
8	New headlamp sequencing relay

- 6.) It is important to solder all terminals to wire connections.
- 7.) Carefully tidy and re-tape all wiring.
- 8.) Remove the foot operated dip switch, blank off the screw holes and seal. Consult the Owner regarding the carpet aperture, perhaps suggesting Car Care Products overlay mats.
- 9.) Reconnect the battery and test the circuit.

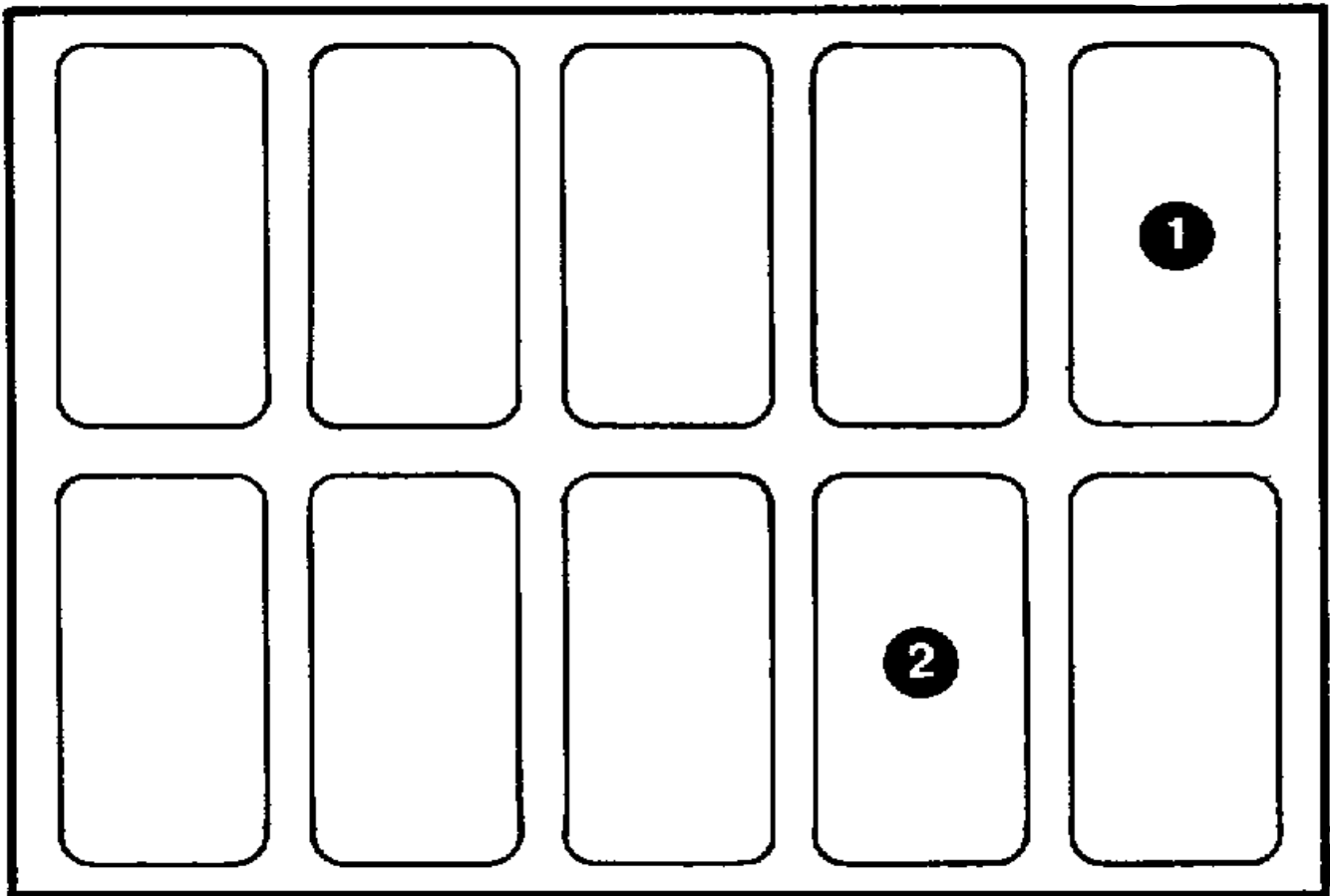
Defect and Repair code manual

Defect code	Repair code	Time
3749637000	37496370S	3.0 hours

Parts required

Below is a list of the parts likely to be required for this conversion. The parts needed and the quantities thereof will vary, depending on the model of motor car.

Figure 29-1 SY Series I Relay Positions



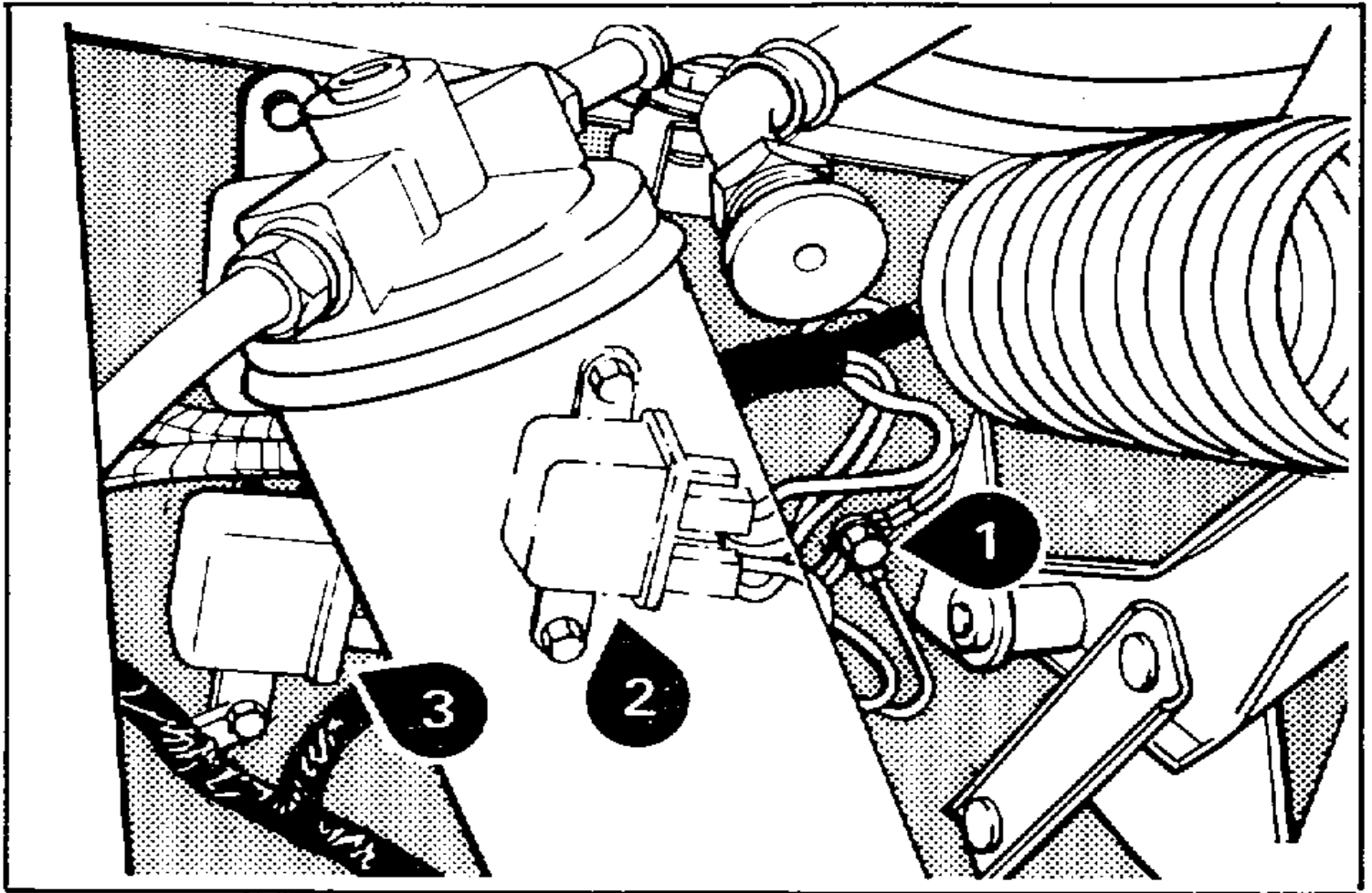


Figure 29-3 Early SZ Relay Positions

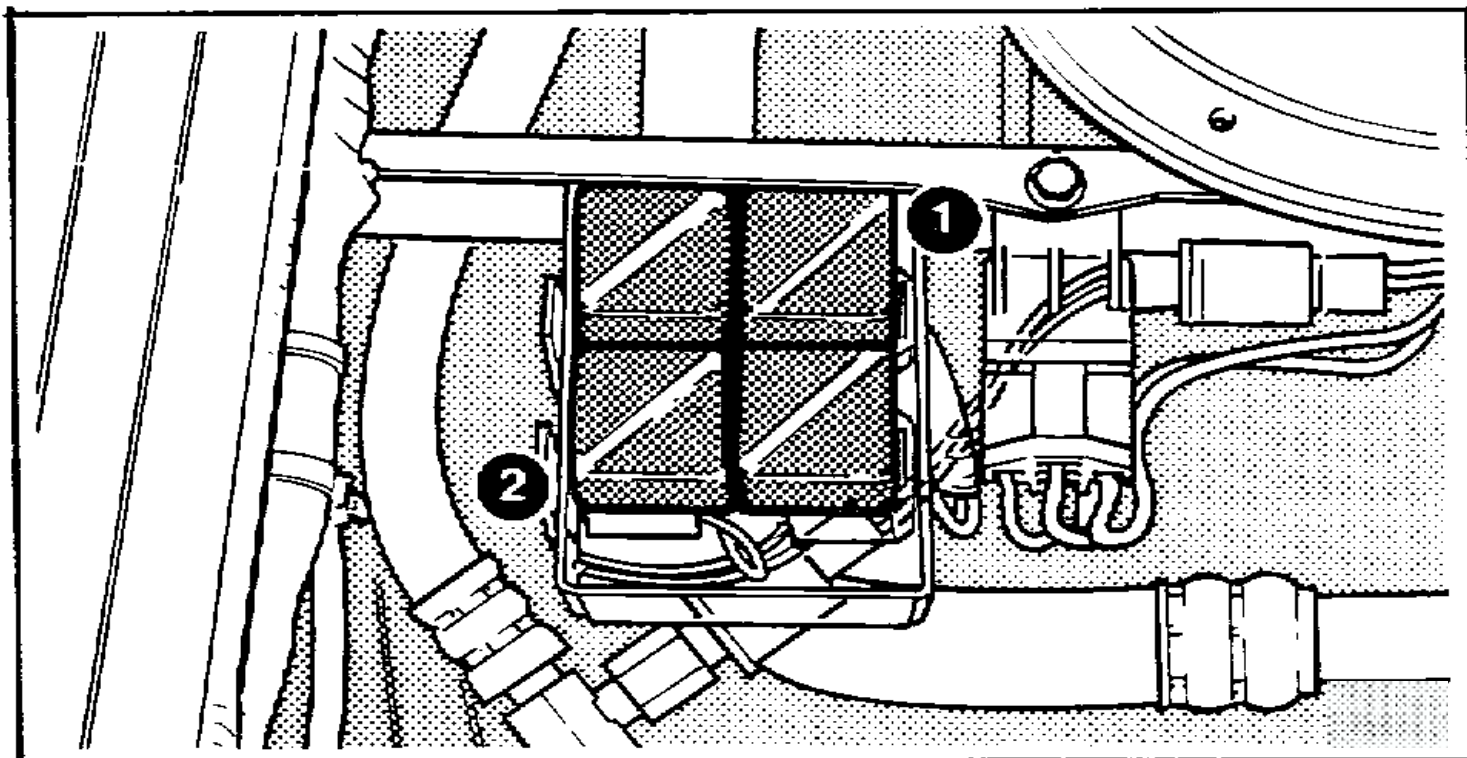
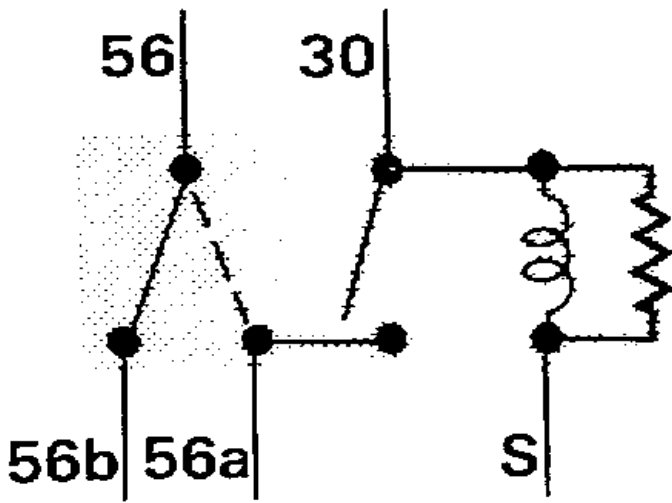
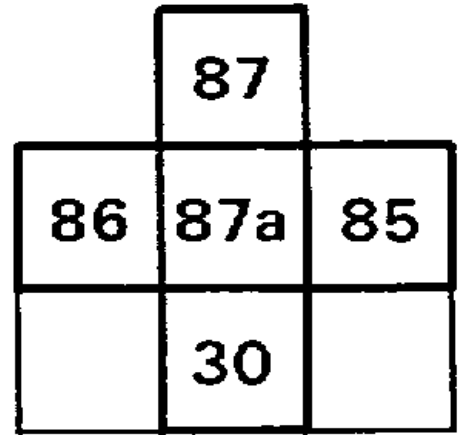
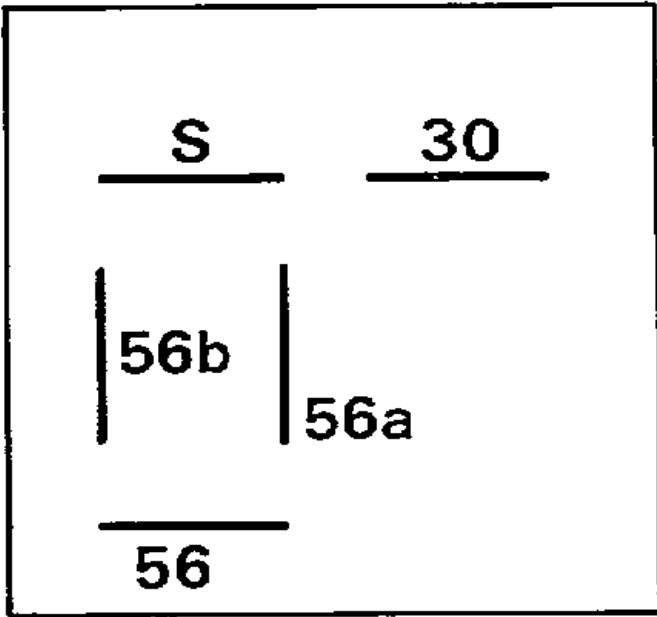
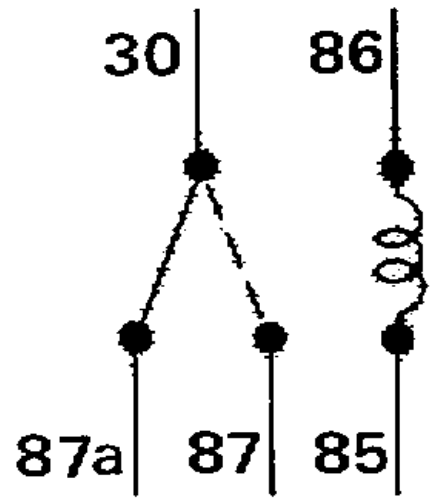


Figure 29-4 Relay Connections



A



B

Table 29-1 Parts Requirements

Part number	Description	Quantity
UD 22452	Relay	1
UD 70068	Relay clip	1
UD 22313	Relay socket	1
UD 21166	Connector Lucar male	Quantities vary dependent on model
UD 22512	Female Pozilok termination double	Quantities vary dependent on model
UD 22513	Sleeve Pozilok female	Quantities vary dependent on model
UD 15500	Cable eye	1
UD 25782	Sequencing relay	1
SPC 1889	Sequencing relay mounting	1
UM 20977Z	Sequencing relay mounting nut	2
UM 20205Z	Sequencing relay mounting washer	2