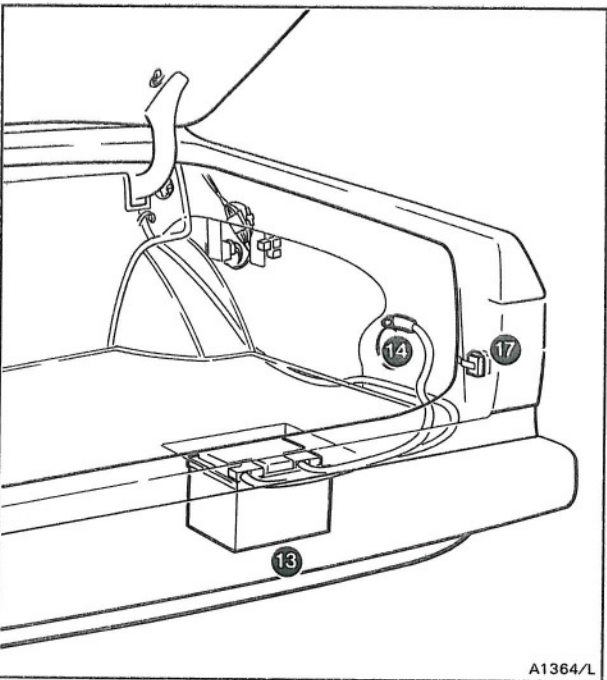
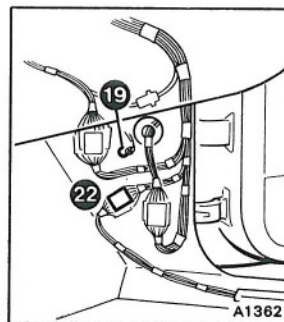
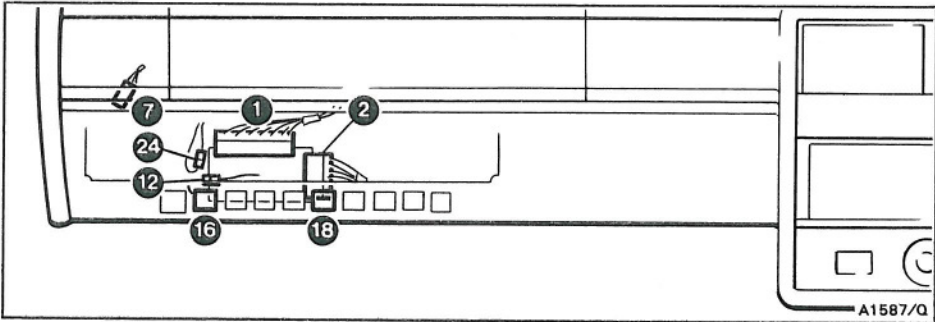
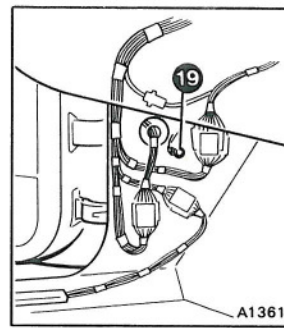
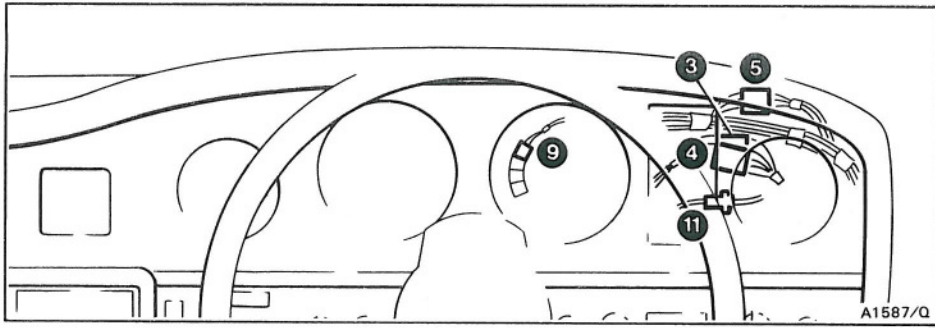




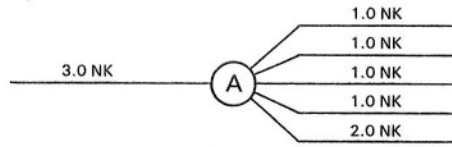
## Warning lamps and instruments

Contents	Specific application	Pages							
		Rolls-Royce		Corniche / Corniche II	Bentley	Mulsanne	Mulsanne S	Turbo R	Continental
Silver Spirit	Silver Spur	Eight							
<b>Warning lamps</b>									
<b>Warning lamps test circuit (where applicable)</b>									
Component location	1987 model year cars	20-2	20-2	20-4	20-2	20-2	—	20-2	20-4
Wiring diagram		20-2	20-2	20-4	20-2	20-2	—	20-2	20-4
Component location	1988 model year cars	20-3	20-3	20-3	20-3	—	20-3	20-3	20-3
Wiring diagram		20-3	20-3	20-3	20-3	—	20-3	20-3	20-3
<b>Windscreen and headlamp washer fluid levels warning lamp</b>									
Component location		20-5	20-5	20-6	20-5	20-5	20-5	20-5	20-6
Wiring diagram		20-5	20-5	20-6	20-5	20-5	20-5	20-5	20-6
<b>Engine coolant level warning lamp</b>									
Component location		20-7	20-7	20-7	20-7	20-7	20-7	20-7	20-7
Wiring diagram		20-7	20-7	20-7	20-7	20-7	20-7	20-7	20-7
<b>Hydraulic systems mineral oil level warning lamps</b>									
Component location		20-8	20-8	20-8	20-8	20-8	20-8	20-8	20-8
Wiring diagram		20-8	20-8	20-8	20-8	20-8	20-8	20-8	20-8
<b>Engine oil pressure warning lamp</b>									
Component location		20-9	20-9	20-9	20-9	20-9	20-9	20-9	20-9
Wiring diagram		20-9	20-9	20-9	20-9	20-9	20-9	20-9	20-9
<b>Ice warning lamp, and test circuit when applicable</b>									
Component location		20-10	20-10	20-16	20-12	20-10	20-14	20-14	20-16
Wiring diagram		20-11	20-11	20-17	20-13	20-11	20-15	20-15	20-17
<b>Oxygen sensor warning lamp, and test circuit when applicable</b>									
Component location	1987 model year cars	20-18	20-18	20-18	20-18	20-18	—	—	20-18
Wiring diagram		20-18	20-18	20-18	20-18	20-18	—	—	20-18
Component location	1988 model year cars	20-19	20-19	20-19	20-19	—	20-19	—	20-19
Wiring diagram		20-19	20-19	20-19	20-19	—	20-19	—	20-19
<b>Exhaust temperature overheat warning lamp and test circuit</b>									
Component location	1987 model year cars	20-20	20-20	—	20-20	20-20	—	—	—
Wiring diagram		20-20	20-20	—	20-20	20-20	—	—	—
Component location	1988 model year cars	20-21	20-21	—	20-21	—	20-21	—	—
Wiring diagram		20-21	20-21	—	20-21	—	20-21	—	—
<b>Stop lamp failure warning lamp</b>									
Component location	1987 model year cars	20-22	20-22	20-24	20-22	20-22	—	20-22	20-24
Wiring diagram		20-23	20-23	20-25	20-23	20-23	—	20-23	20-25
Component location	1988 model year cars	20-22	20-22	20-26	20-22	—	20-22	20-22	20-26
Wiring diagram		20-23	20-23	20-27	20-23	—	20-23	20-23	20-27
<b>Low fuel level warning lamp</b>									
Component location		20-28	20-28	20-28	20-28	20-28	20-28	20-28	20-28
Wiring diagram		20-28	20-28	20-28	20-28	20-28	20-28	20-28	20-28
<b>Generator warning lamp</b>									
	Refer to Section 8								
<b>Brake pressure warning lamps</b>									
	Refer to Section 9								
<b>Anti-lock braking systems warning lamp</b>									
	Refer to Section 9								
<b>Brake pad wear and parking brake warning lamp</b>									
	Refer to Section 9								
<b>Headlamps main beam warning lamp</b>									
	Refer to Section 10								
<b>Side/position lamps warning lamp</b>									
	Refer to Section 13								
<b>Instruments</b>									
	Refer to page 20-29								

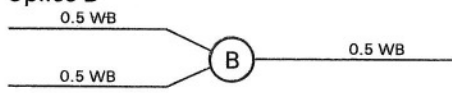


**Key to 20-2**

- 1 Diode board plug 18-way
- 2 Diode board plug 10-way
- 3 Switchbox plug and socket 5-way
- 4 Switchbox plug and socket 18-way
- 5 'Other than Europe' plug and socket
- 6 Starter switch (switchbox)
- 7 Brake pressure warning plug and socket
- 8 Splice A

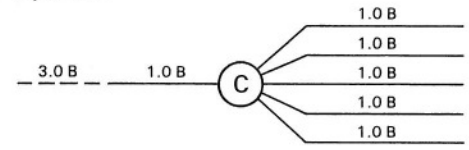


- 9 Speedometer connection - positive
- 10 Splice B

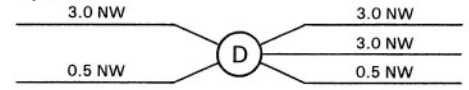


- 11 Switchbox connection 60 Amp
- 12 Link loom connection (Turbocharged cars only)

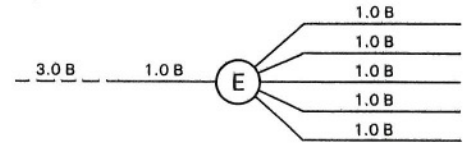
- 13 Battery
- 14 Battery earth point
- 15 Fuseboard F1, fuse B3, 10 Amp
- 16 Cranking interlock relay
- 17 Memory fuse, 20 Amp (located in the luggage compartment)
- 18 Warning lamps test relay
- 19 'A' post earth points
- 20 Splice C



- 21 Splice D

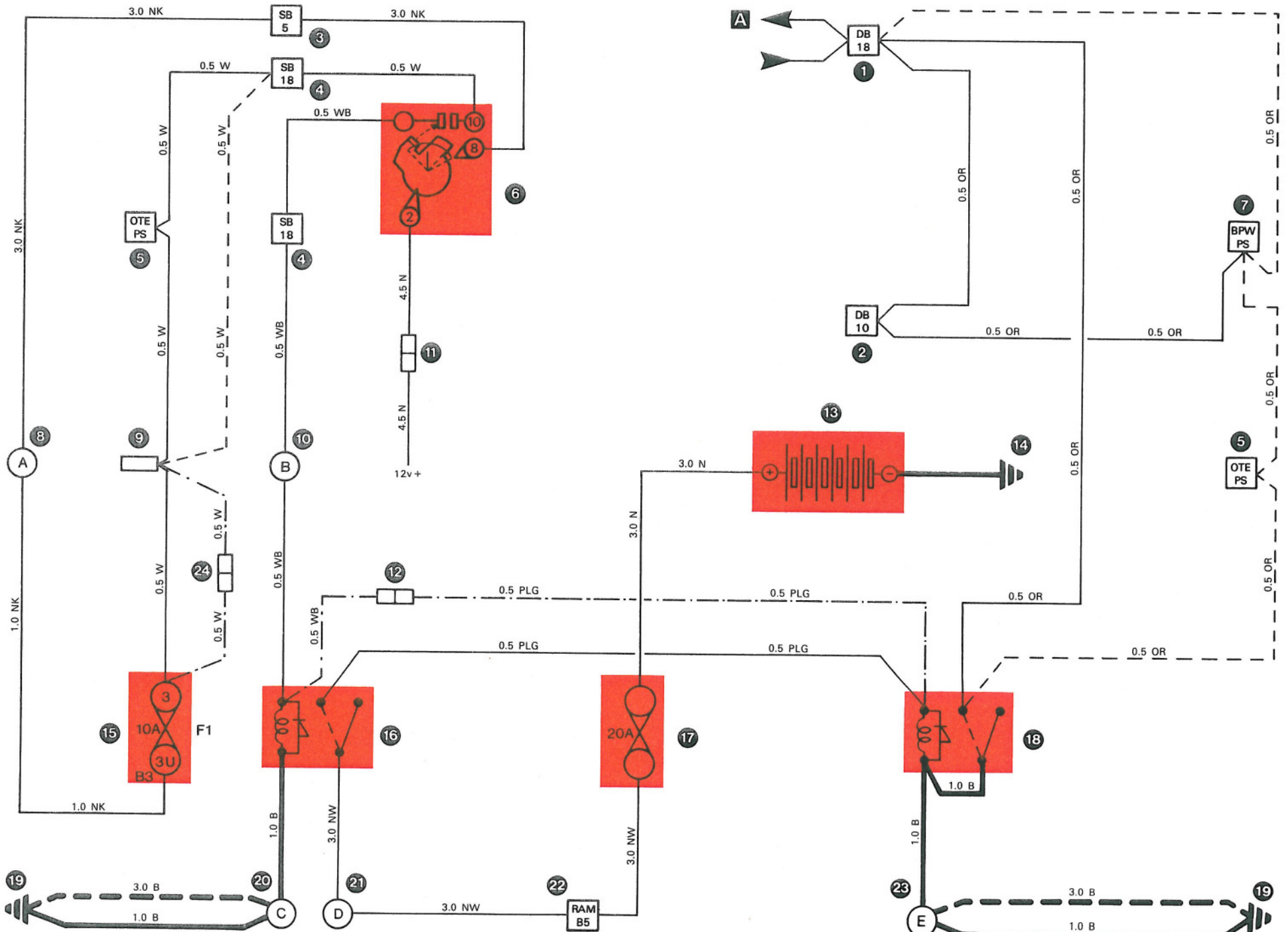


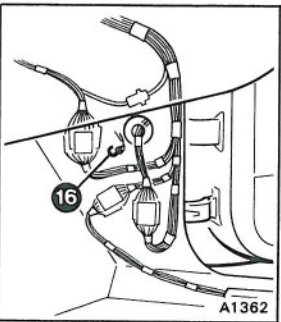
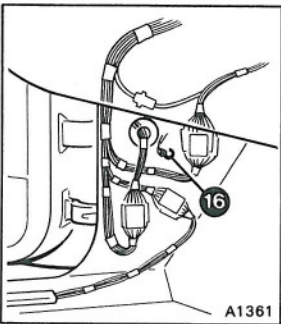
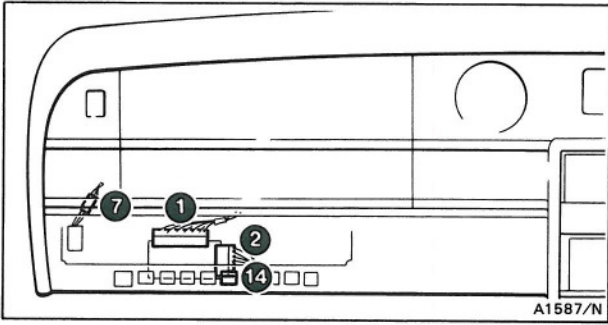
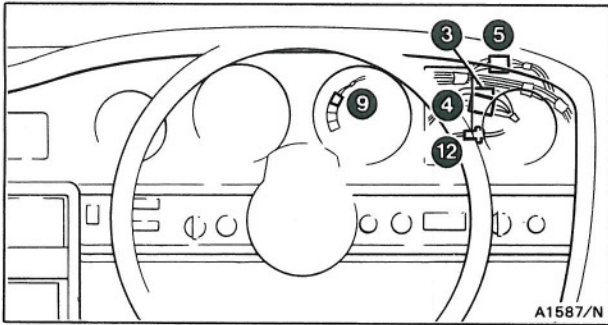
- 22 Right-hand 'A' post main to body loom plug and socket 5-way
- 23 Splice E



- 24 Link loom connection (Turbocharged cars only)
- A** Continue at on the appropriate warning lamp circuit (refer to Contents page)

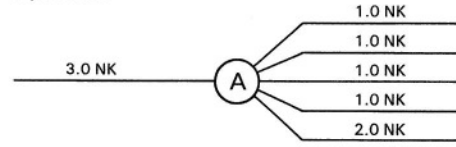
**Note** Alternative cable routes on Turbocharged cars



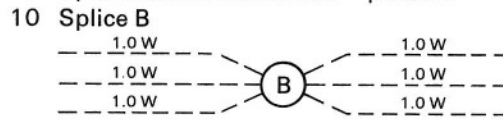


**Key to 20-3**

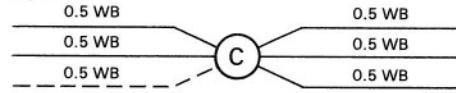
- 1 Diode board plug 18-way
- 2 Diode board plug 10-way
- 3 Switchbox plug and socket 5-way
- 4 Switchbox plug and socket 18-way
- 5 'Other than Europe' plug and socket
- 6 Starter switch (switchbox)
- 7 Brake pressure warning lamps electronic control unit plug and socket
- 8 Splice A



9 Speedometer connection – positive



11 Splice C

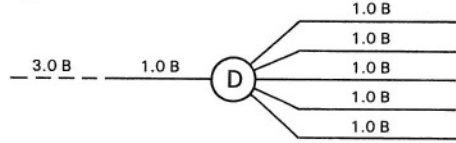


12 Switchbox connection 60 Amp

13 Fuseboard F1, fuse B3, 10 Amp

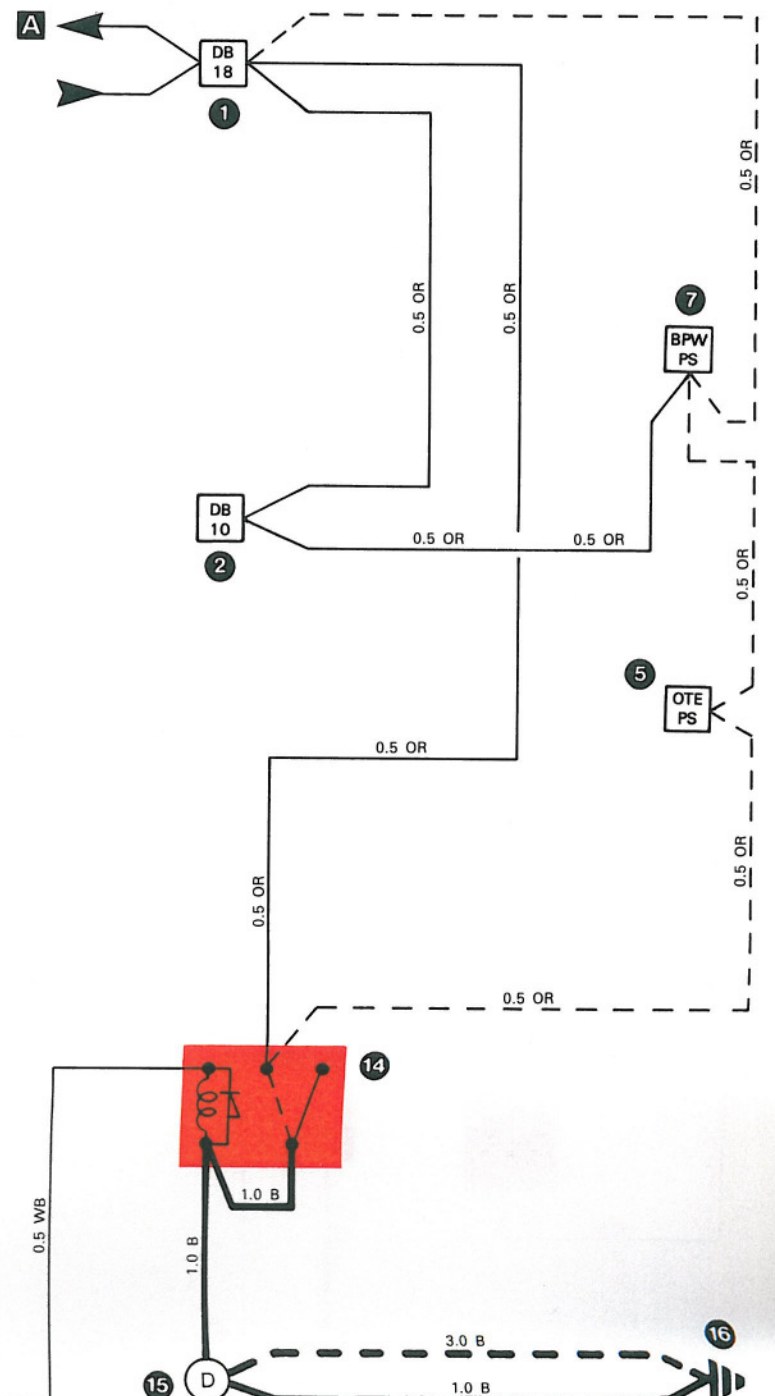
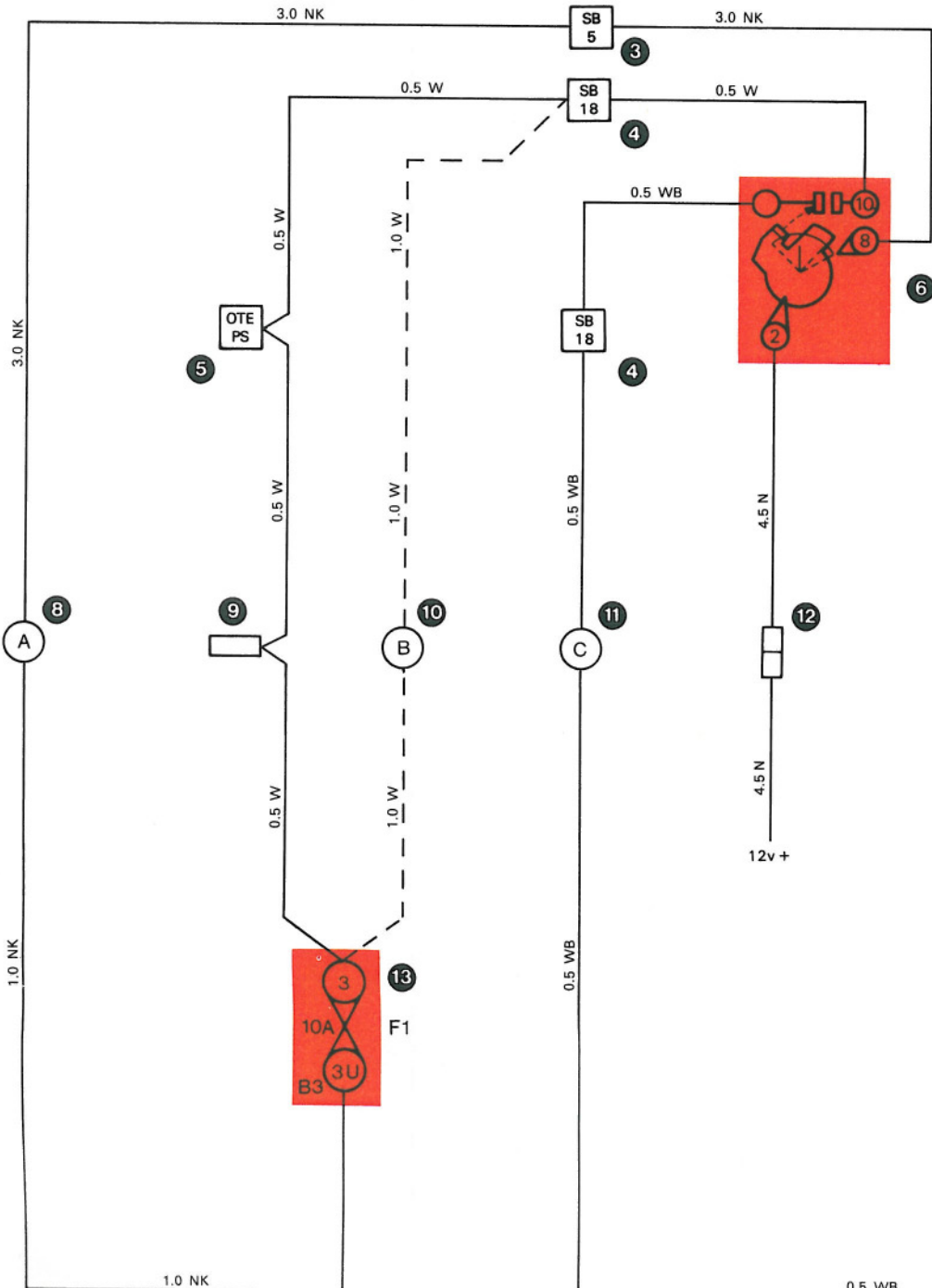
14 Warning lamps test relay

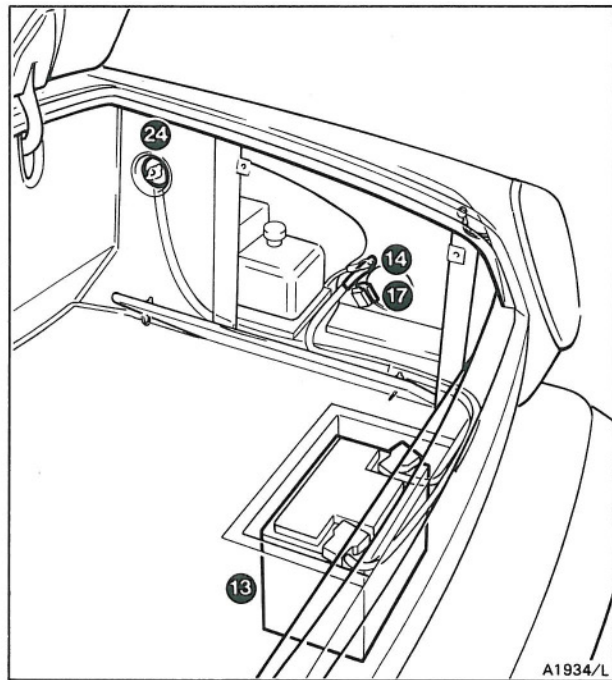
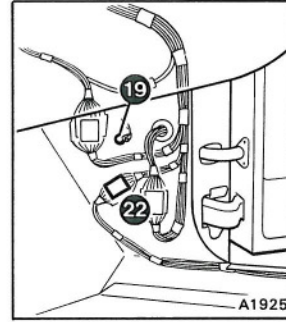
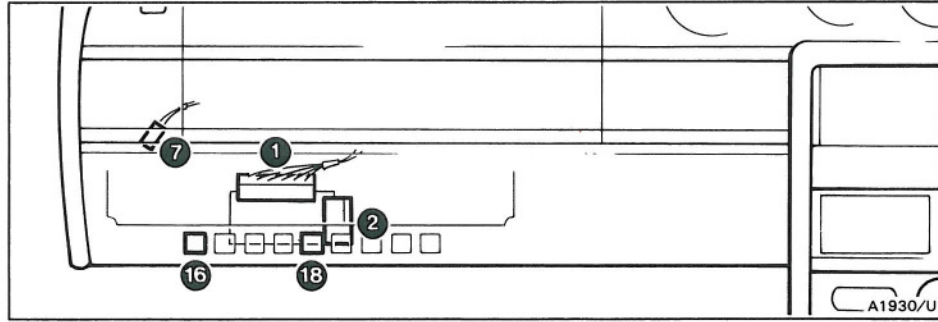
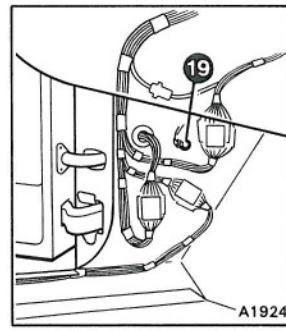
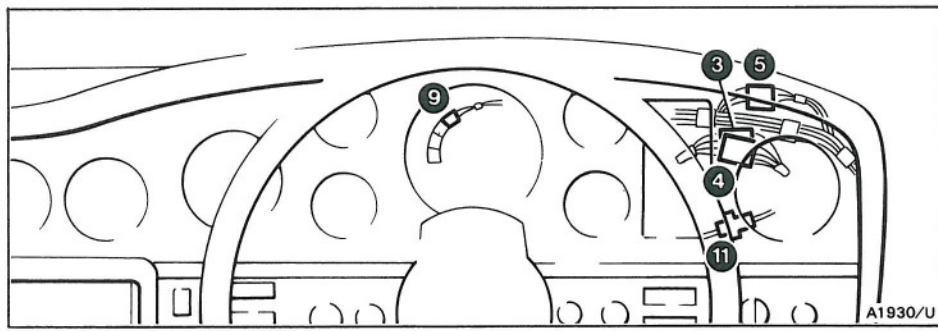
15 Splice D



16 'A' post earth points

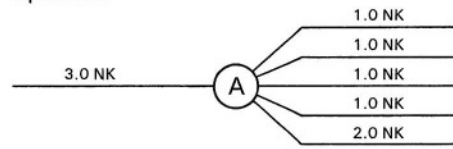
**A** Continue at on the appropriate warning lamp circuit (refer to Contents page)



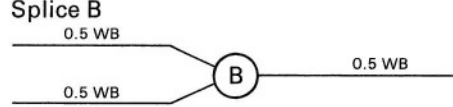


**Key to 20-4**

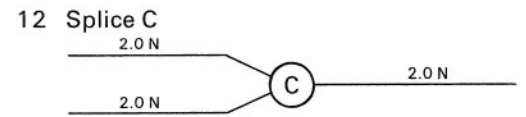
- 1 Diode board plug 18-way
- 2 Diode board plug 10-way
- 3 Switchbox plug and socket 5-way
- 4 Switchbox plug and socket 18-way
- 5 'Other than Europe' plug and socket
- 6 Starter switch (switchbox)
- 7 Brake pressure warning plug and socket
- 8 Splice A



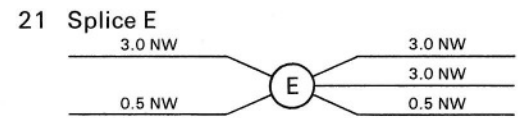
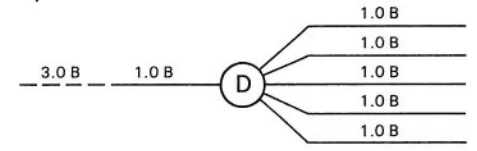
- 9 Speedometer connection - positive
- 10 Splice B



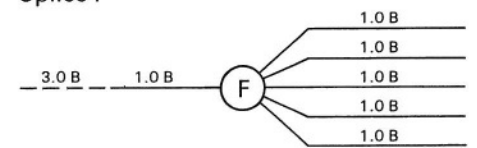
- 11 Switchbox connection 60 Amp



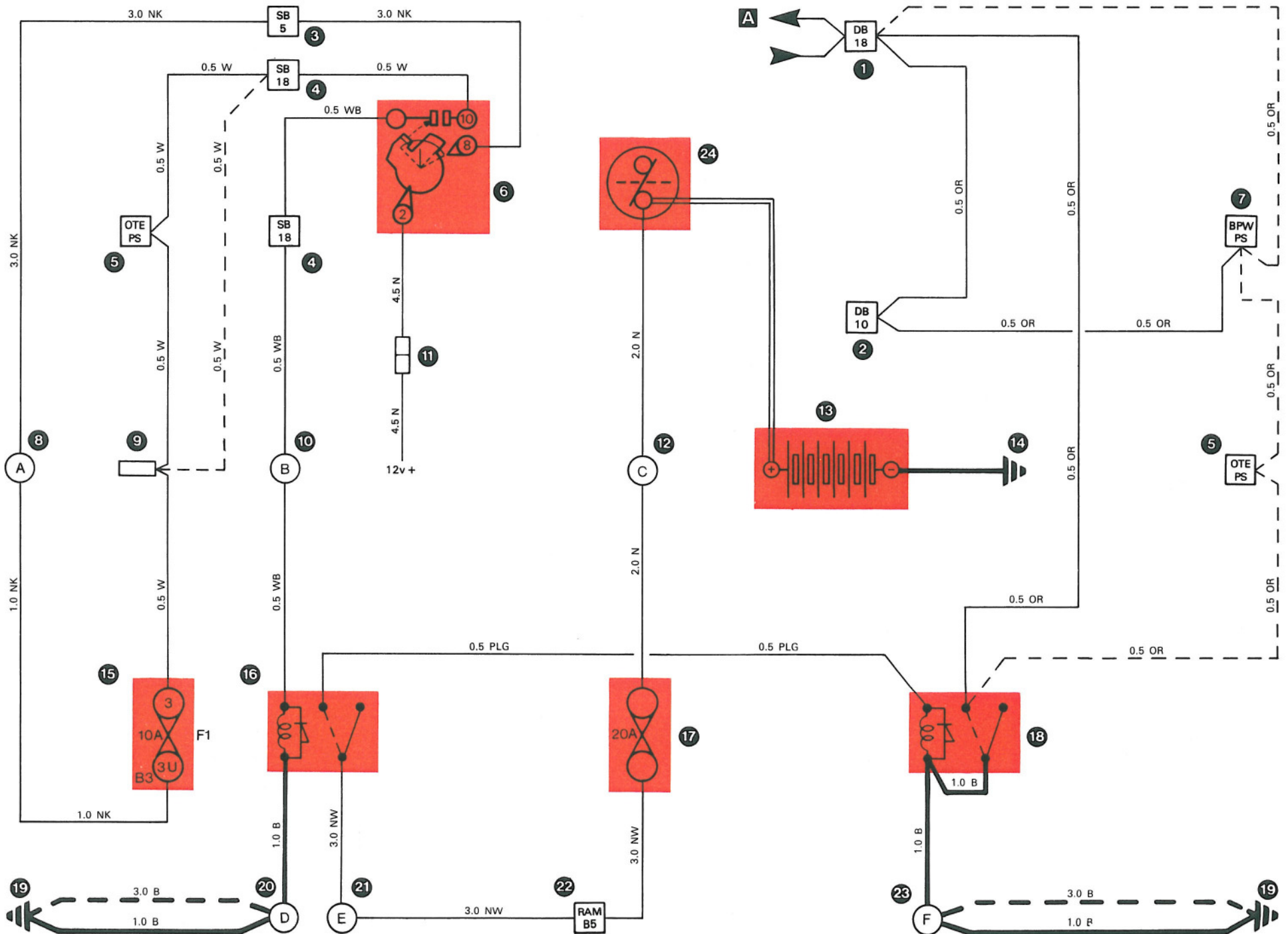
- 12 Splice C
- 13 Battery
- 14 Battery earth point
- 15 Fuseboard F1, fuse B3, 10 Amp
- 16 Cranking interlock relay
- 17 Memory fuse, 20 Amp (located in the luggage compartment)
- 18 Warning lamps test relay
- 19 'A' post earth points
- 20 Splice D

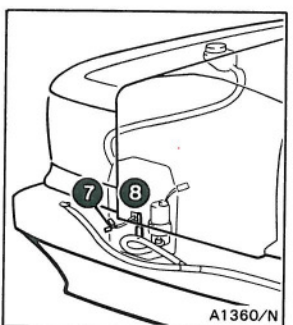
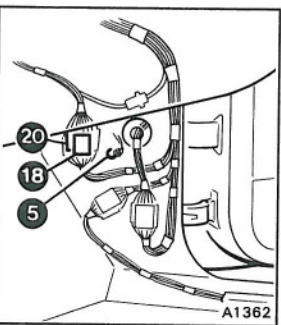
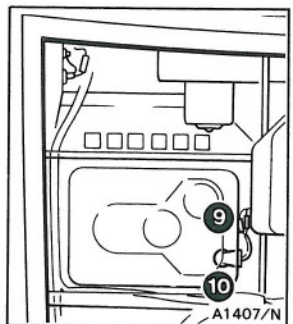
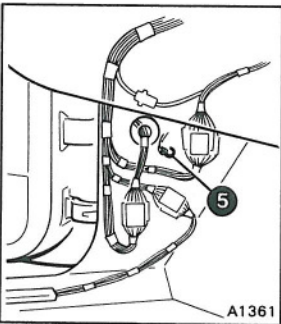
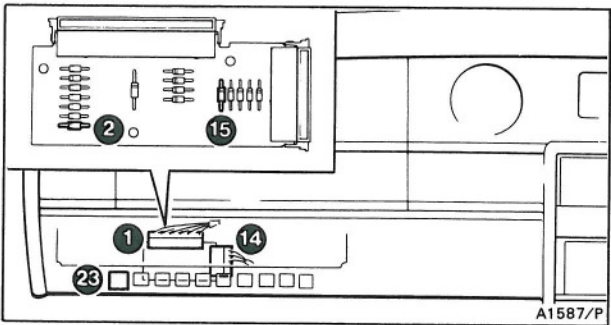
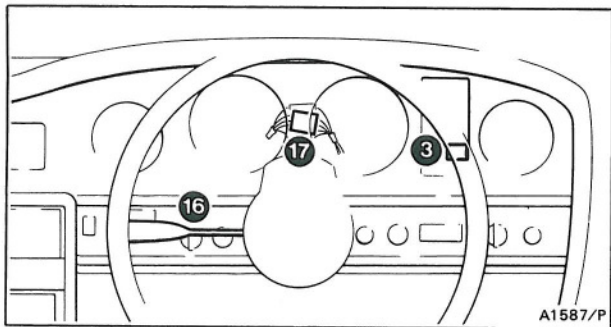


- 22 Right-hand 'A' post main to body loom plug and socket 5-way
- 23 Splice F



- 24 Battery master switch (Cars other than those conforming to a West German specification)
- A** Continue at on the appropriate warning lamp circuit (refer to Contents page)

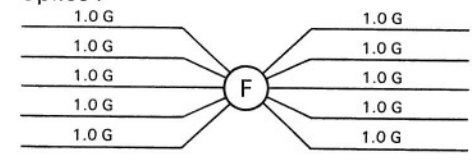




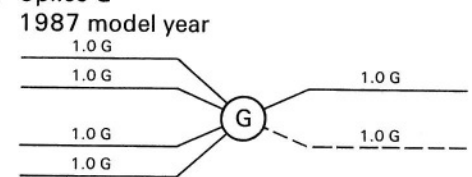
**Key to 20-5**

- 1 Diode board plug 18-way
- 2 Diode (diode board)
- 3 Low washer fluid levels warning lamp
- 4 Splice A
- 5 'A' post earth points
- 6 Splice B
- 7 Headlamps washer fluid level float switch connections
- 8 Headlamps washer fluid level float switch
- 9 Windscreen washers fluid level float switch connections
- 10 Windscreen washers fluid level float switch
- 11 Splice C
- 12 Splice D
- 13 Fuseboard F1, fuse B4, 10 Amp
- 14 Diode board plug 10-way
- 15 Diode (diode board)
- 16 Washers switch (column)
- 17 Steering column plug and socket 7-way
- 18 Right-hand main to valance loom plug and socket 6-way
- 19 Splice E
- 20 Right-hand main to valance loom plug and socket 12-way

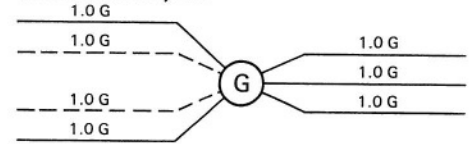
**21 Splice F**



**22 Splice G**

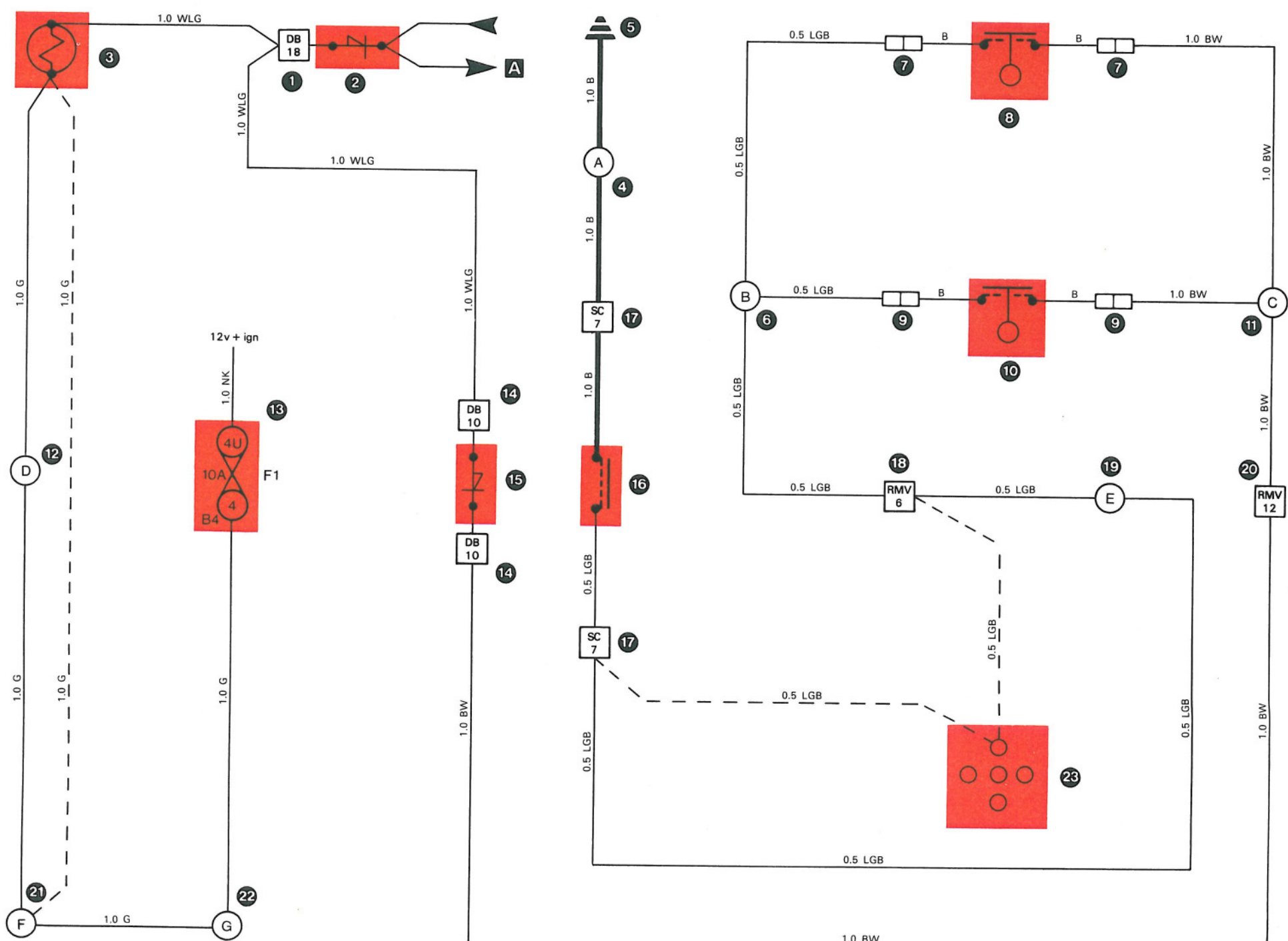


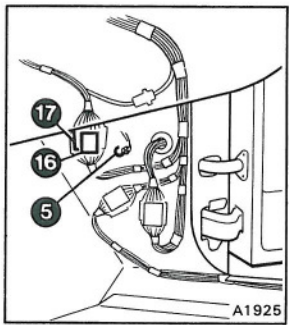
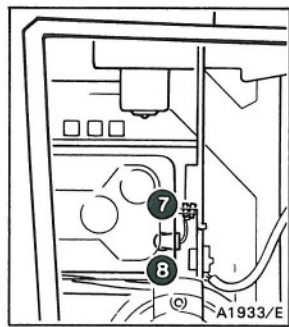
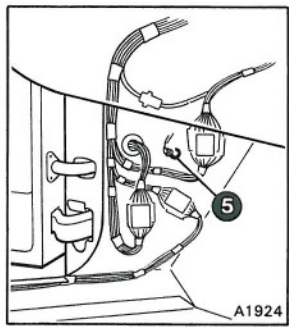
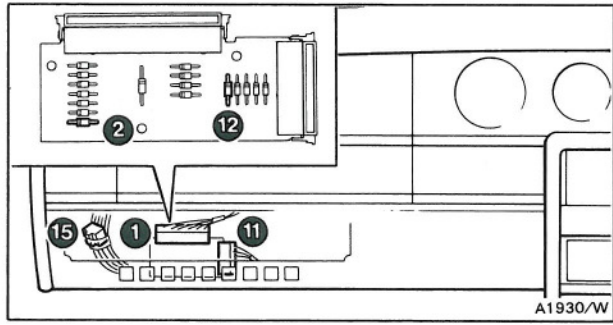
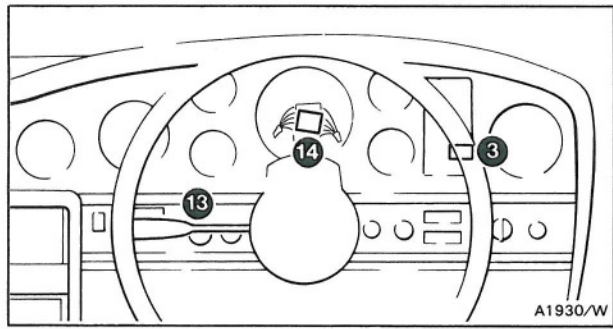
**1988 model year**



**23 Headlamps power wash electronic control unit**

**A** Continue at on the appropriate warning lamps test circuit (refer to Contents page)

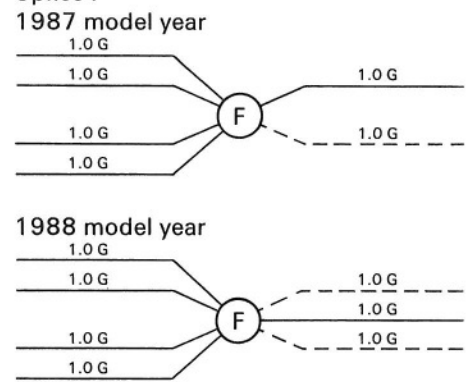




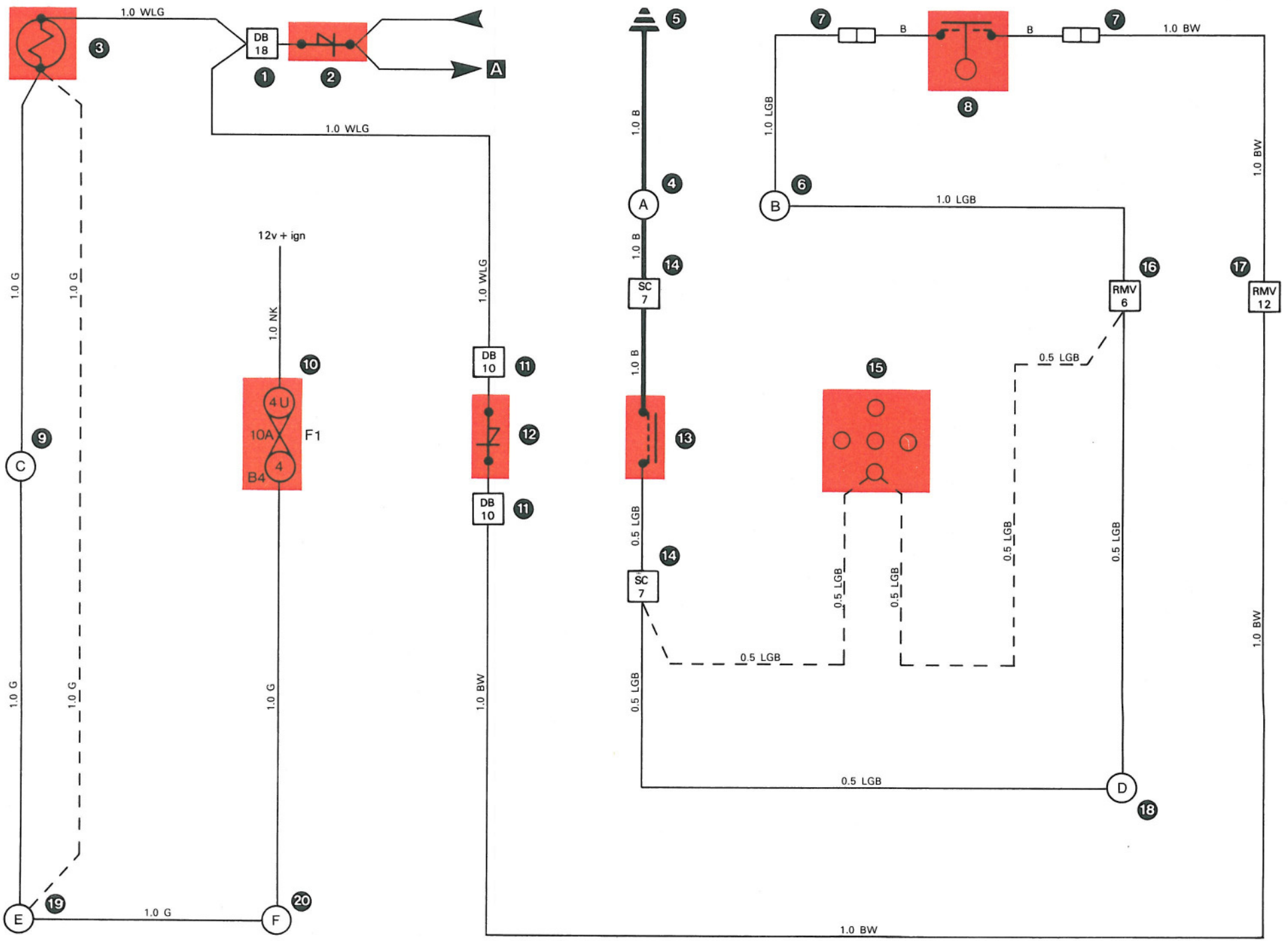
**Key to 20-6**

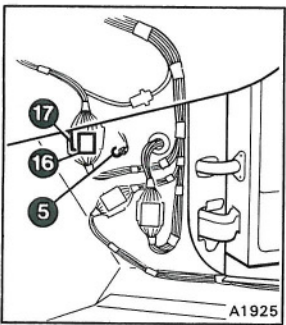
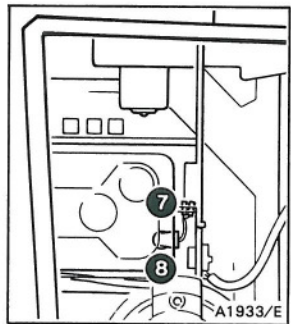
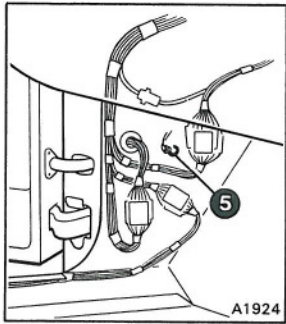
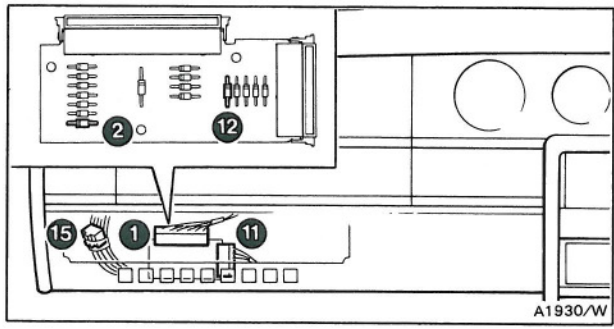
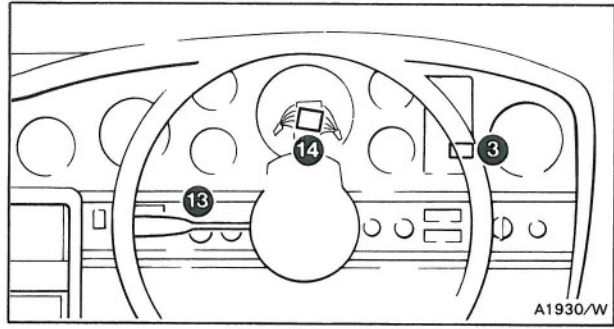
- 1 Diode board plug 18-way
- 2 Diode (diode board)
- 3 Low washer fluid level warning lamp
- 4 Splice A
- 5 'A' post earth points
- 6 Splice B
- 7 Windscreen washers fluid level float switch connections
- 8 Windscreen washers fluid level switch
- 9 Splice C
- 10 Fuseboard F1, fuse B4, 10 Amp
- 11 Diode board plug 10-way
- 12 Diode (diode board)
- 13 Washers switch (column)
- 14 Steering column plug and socket 7-way
- 15 Headlamps power wash electronic control unit base
- 16 Right-hand main to valve loom plug and socket 6-way
- 17 Right-hand main to valve loom plug and socket 12-way
- 18 Splice D
- 19 Splice E

**20 Splice F**



**A** Continue at on the appropriate warning lamps test circuit (refer to Contents page)

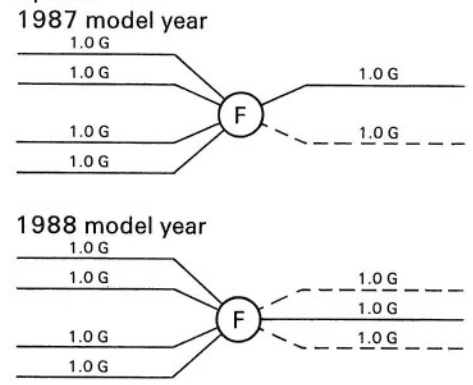




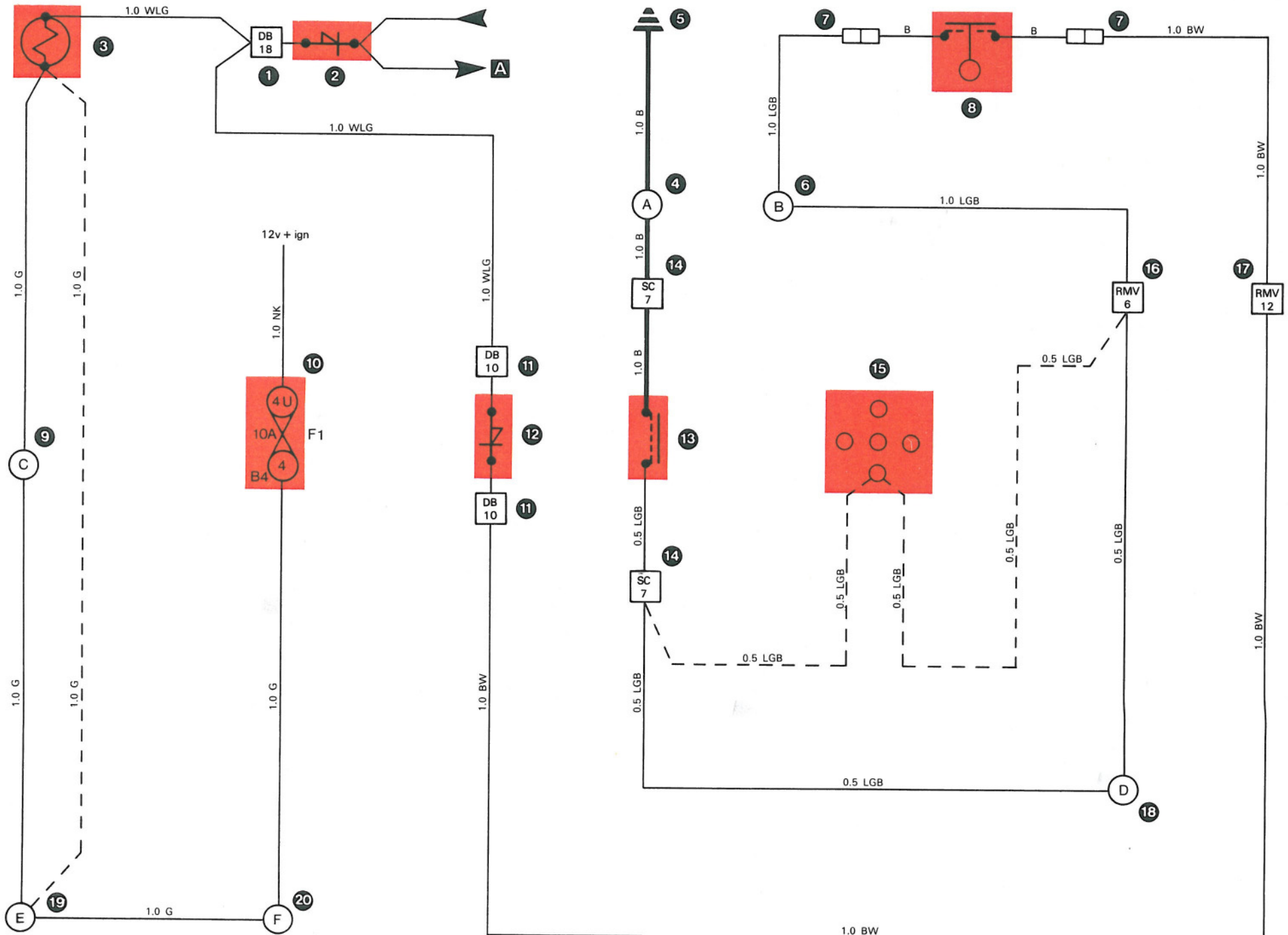
**Key to 20-6**

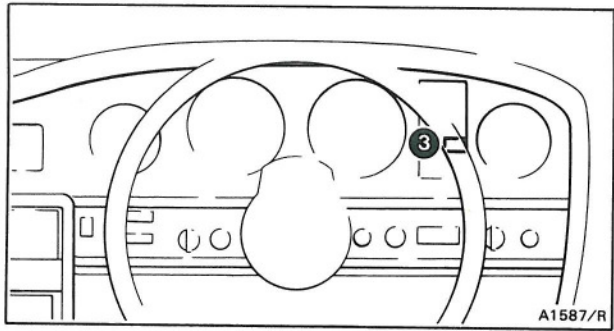
- 1 Diode board plug 18-way
- 2 Diode (diode board)
- 3 Low washer fluid level warning lamp
- 4 Splice A
- 5 'A' post earth points
- 6 Splice B
- 7 Windscreen washers fluid level float switch connections
- 8 Windscreen washers fluid level switch
- 9 Splice C
- 10 Fuseboard F1, fuse B4, 10 Amp
- 11 Diode board plug 10-way
- 12 Diode (diode board)
- 13 Washers switch (column)
- 14 Steering column plug and socket 7-way
- 15 Headlamps power wash electronic control unit base
- 16 Right-hand main to valance loom plug and socket 6-way
- 17 Right-hand main to valance loom plug and socket 12-way
- 18 Splice D
- 19 Splice E

**20 Splice F**

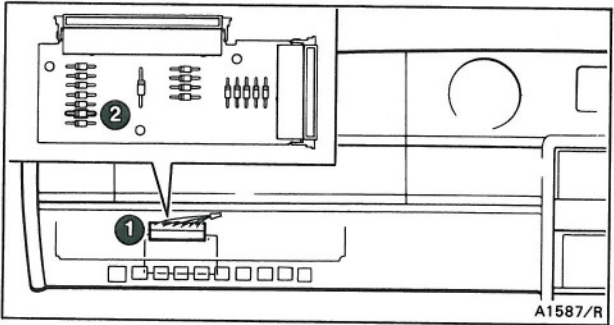


**A** Continue at on the appropriate warning lamps test circuit (refer to Contents page)

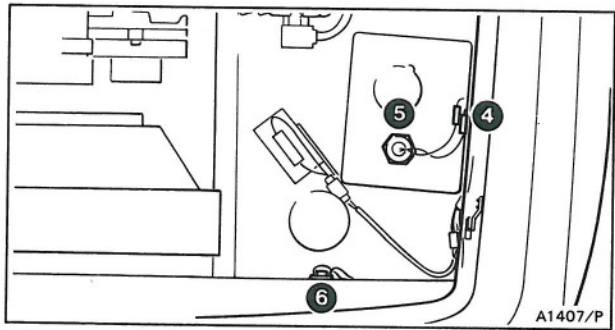




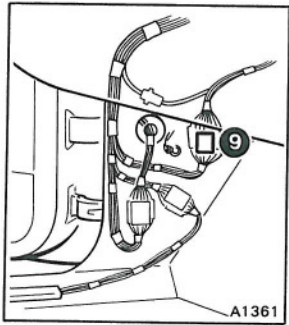
A1587/R



A1587/R



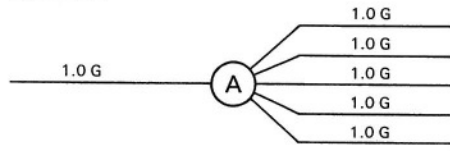
A1407/P



A1361

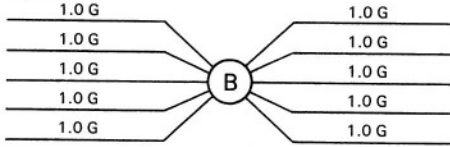
**Key to 20-7**

- 1 Diode board plug 18-way
- 2 Diode (diode board)
- 3 Engine coolant level warning lamp
- 4 Engine coolant level float switch connections
- 5 Engine coolant level float switch
- 6 Left-hand front earth point (engine compartment)
- 7 Splice A

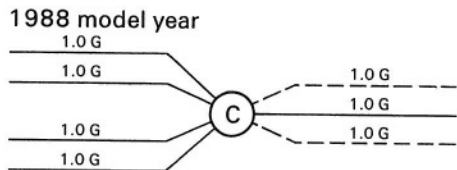
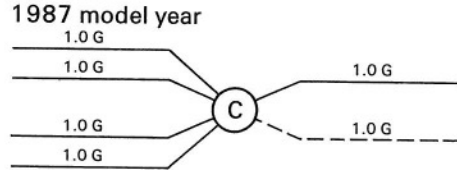


- 8 Fuseboard F1, fuse B4, 10 Amp
- 9 Left-hand main to valance loom plug and socket 12-way

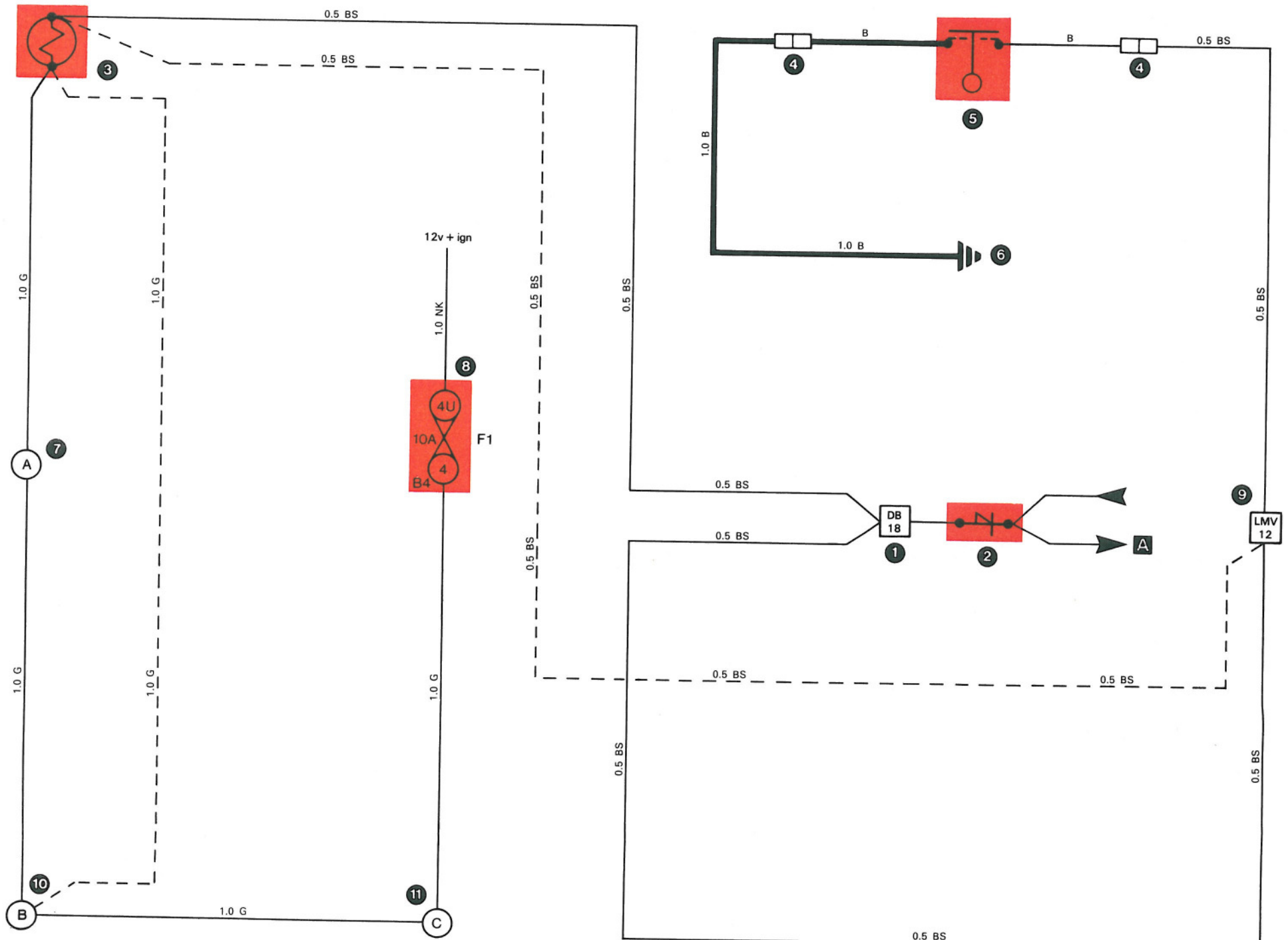
**10 Splice B**

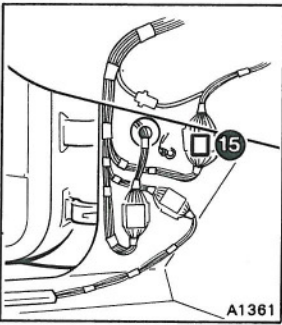
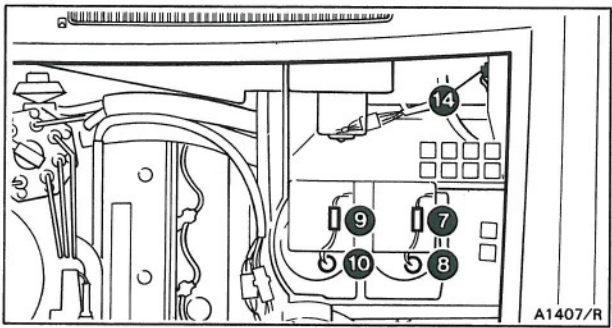
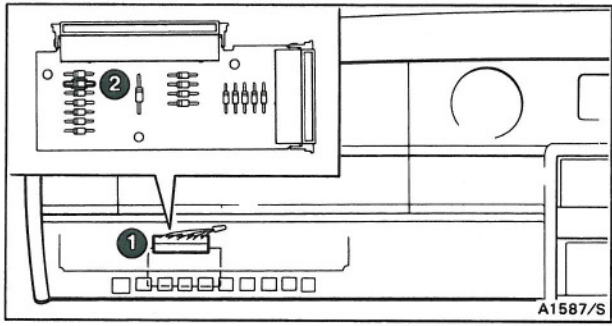
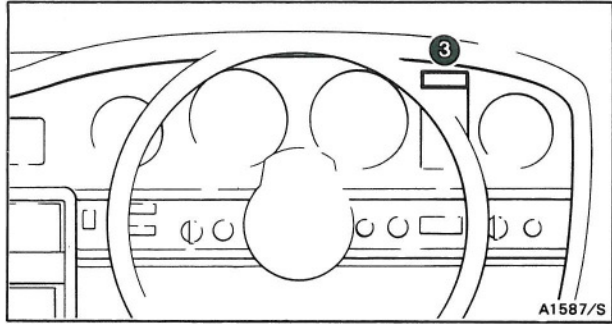


**11 Splice C**



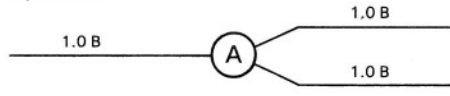
**A** Continue at on the appropriate warning lamps test circuit (refer to Contents page)



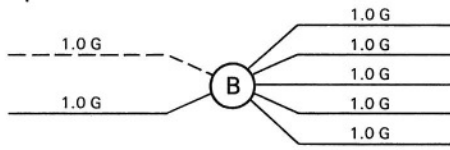


**Key to 20-8**

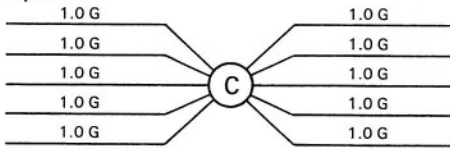
- 1 Diode board plug 18-way
- 2 Diode (diode board)
- 3 Hydraulic systems mineral oil level warning lamps
- 4 Splice A



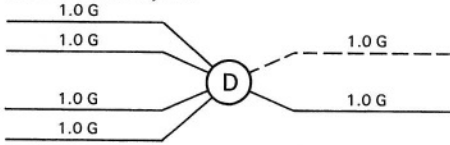
- 5 Splice B



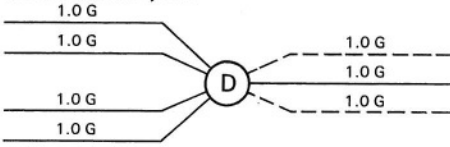
- 6 Fuseboard F1, fuse B4, 10 Amp
- 7 Hydraulic mineral oil level float switch plug and socket - system 2
- 8 Hydraulic mineral oil level float switch - system 2
- 9 Hydraulic mineral oil level float switch plug and socket - system 1
- 10 Hydraulic mineral oil level float switch - system 1
- 11 Splice C



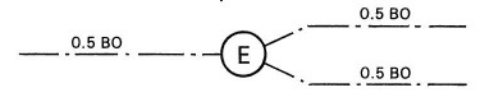
- 12 Splice D
- 1987 model year



- 1988 model year

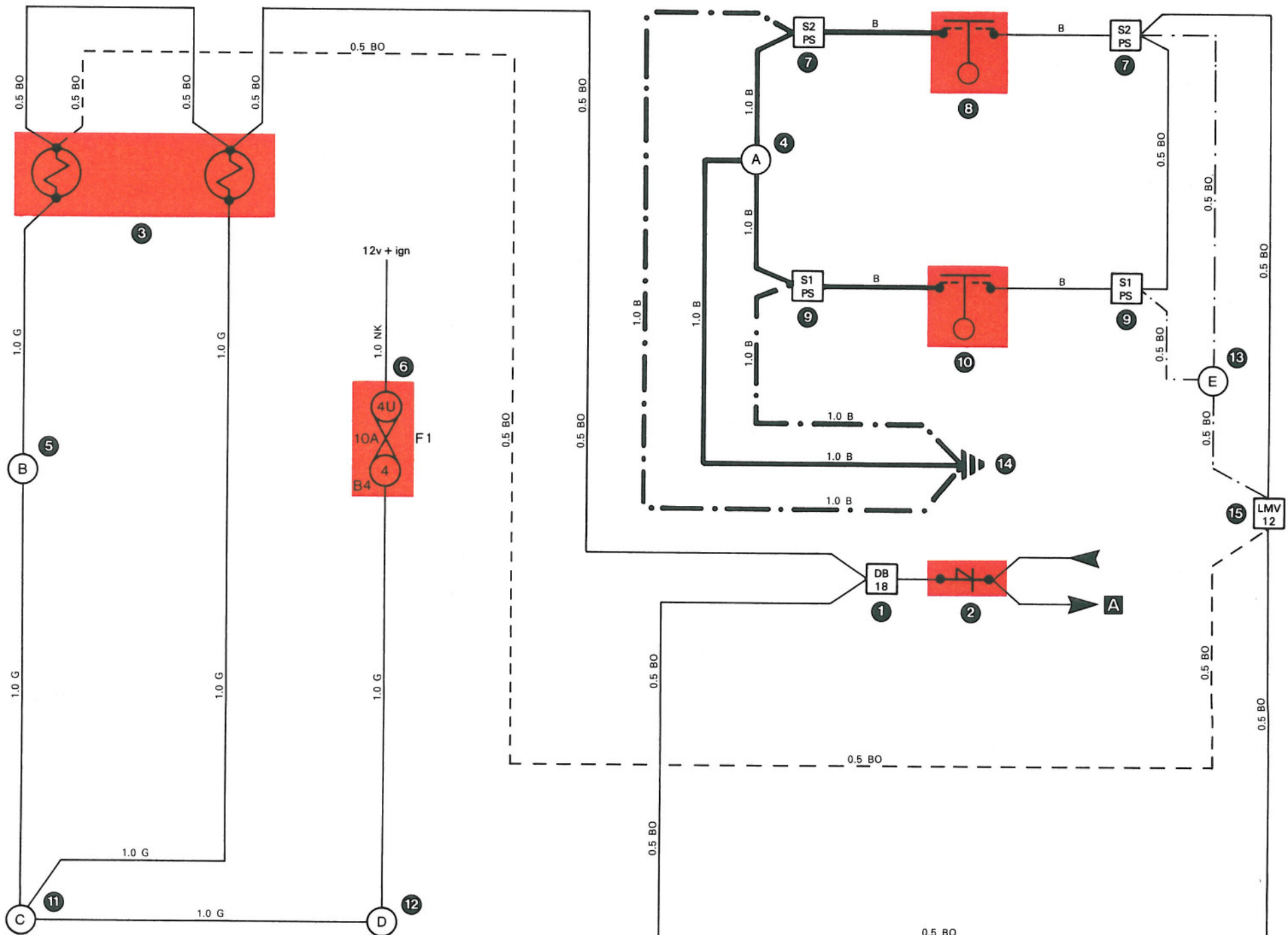


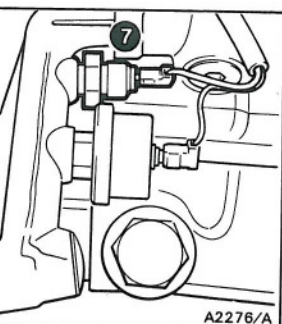
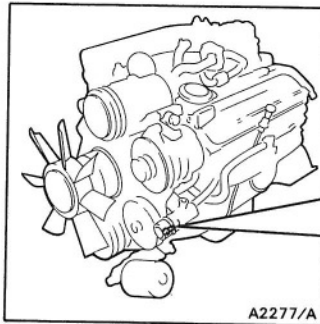
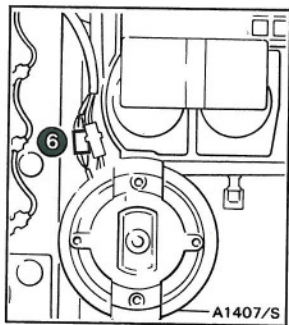
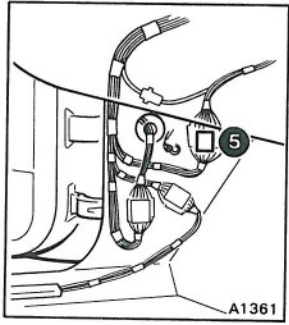
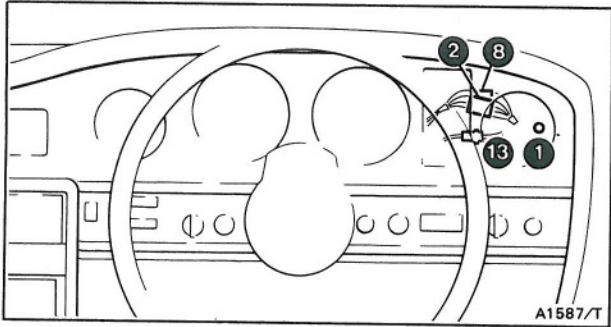
- 13 Splice E
- Two door cars only



- 14 Left-hand valance earth point
- 15 Left-hand main to valance loom plug and socket 12-way
- A Continue at on the appropriate warning lamps test circuit (refer to Contents page)

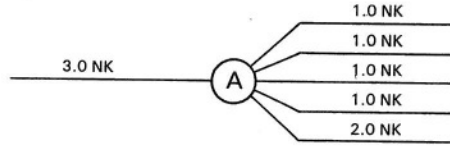
**Note** Cable routes on two door cars only





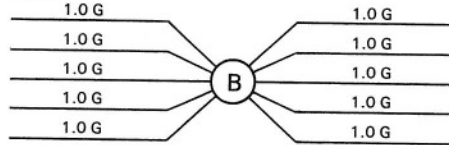
**Key to 20-9**

- 1 Engine oil pressure warning lamp
- 2 Switchbox plug and socket 18-way
- 3 Fuseboard F1, fuse B4, 10 Amp
- 4 Splice A

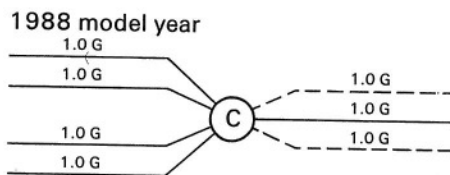
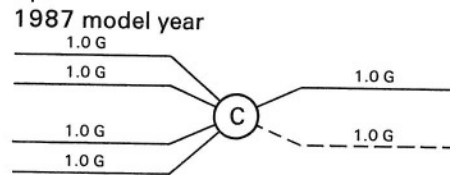


- 5 Left-hand main to valance loom plug and socket 12-way
- 6 Left-hand valance to engine loom plug and socket 9-way
- 7 Engine oil pressure switch
- 8 Switchbox plug and socket 5-way
- 9 Ignition switch (switchbox)

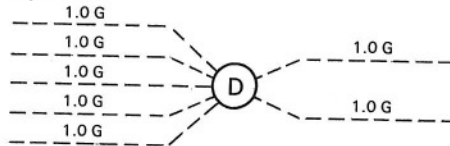
**10 Splice B**



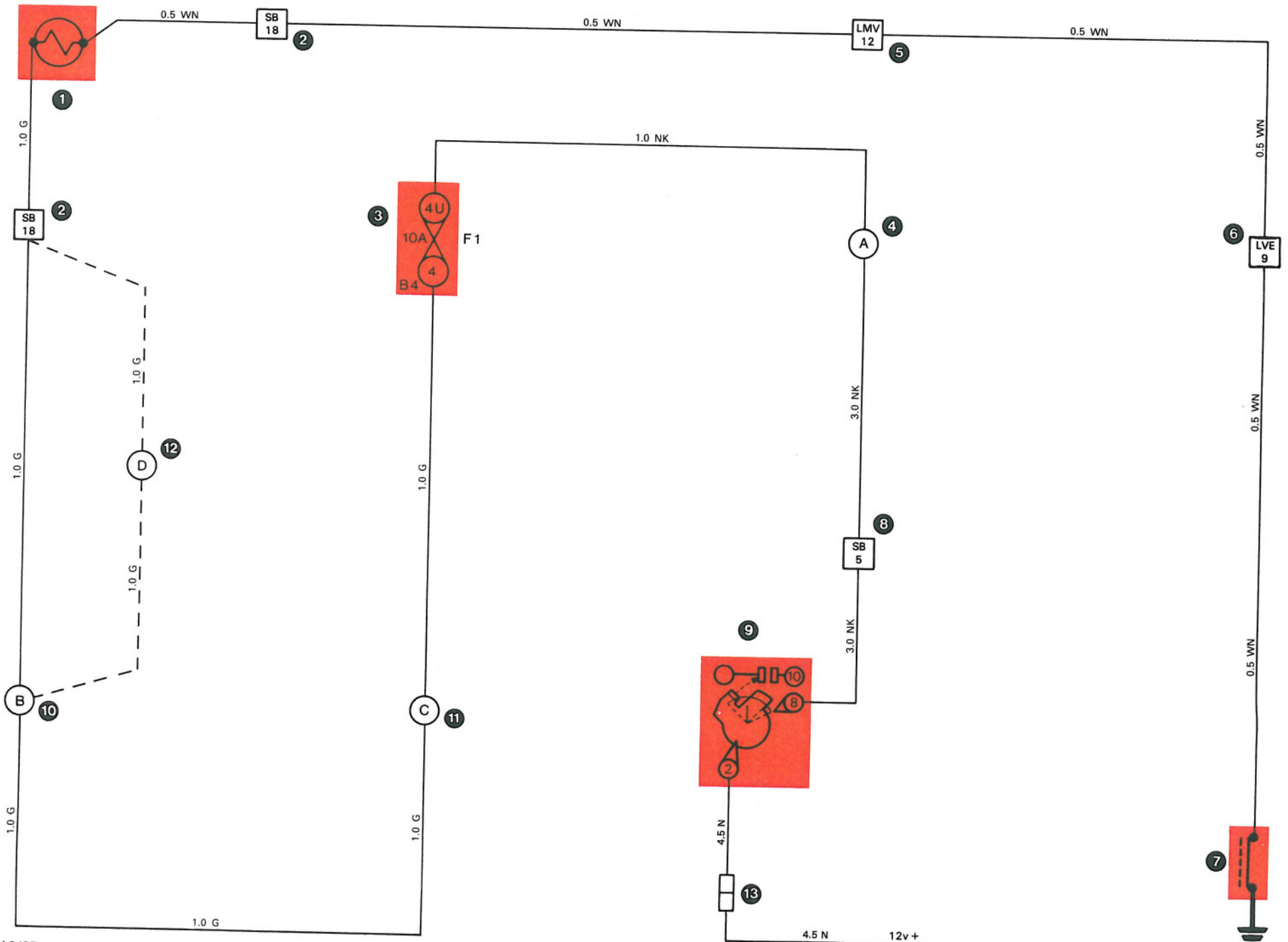
**11 Splice C**

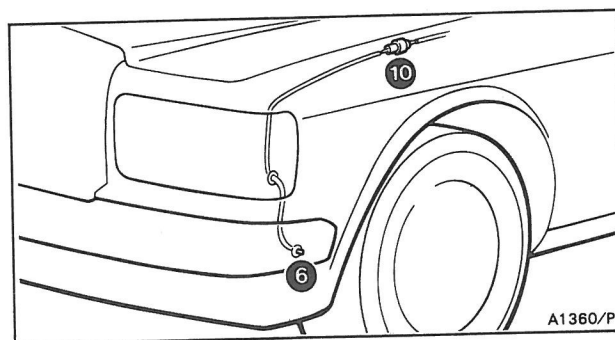
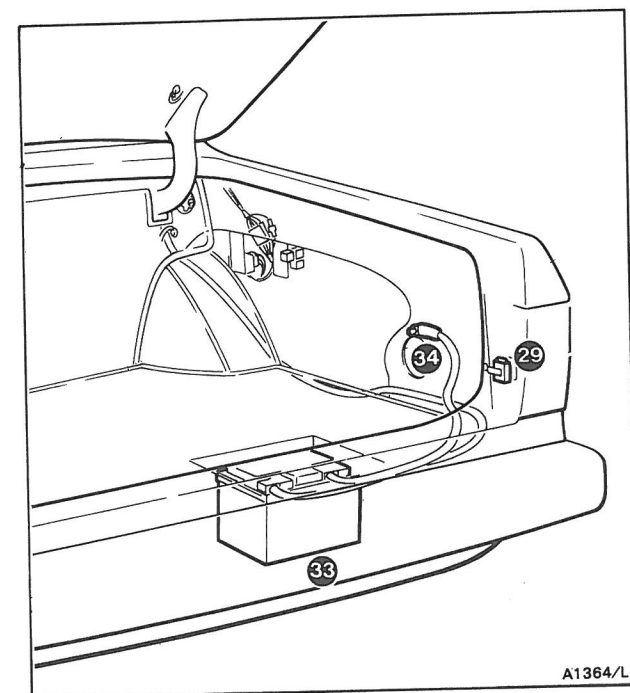
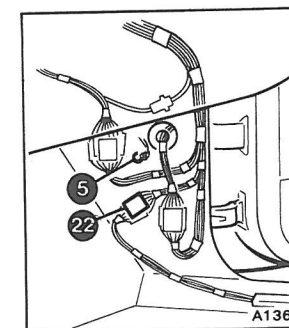
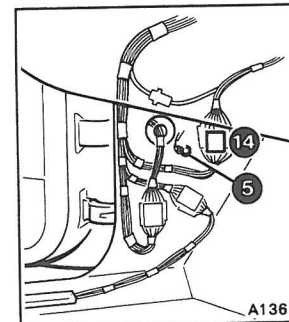
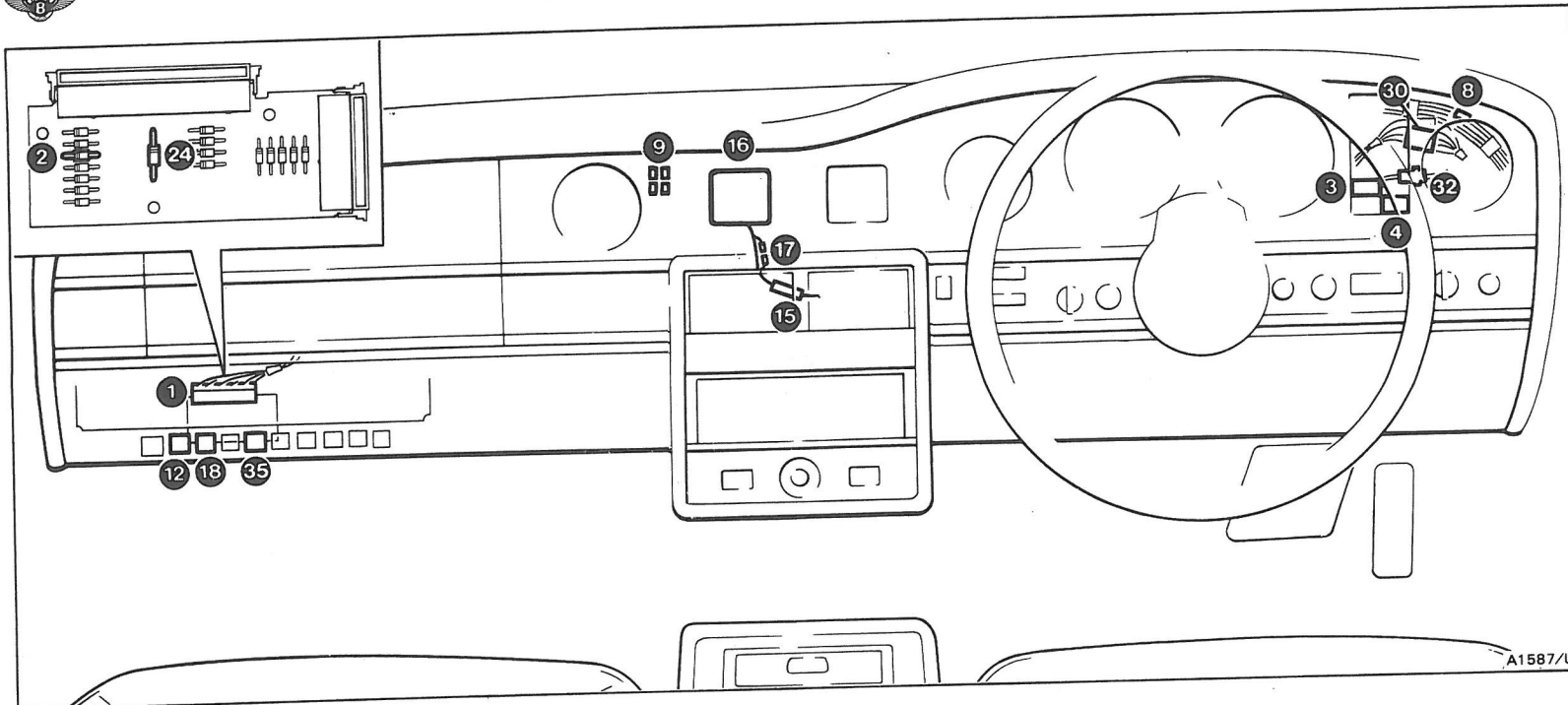


**12 Splice D**



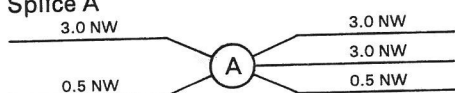
**13 Switchbox connection 60 Amp**



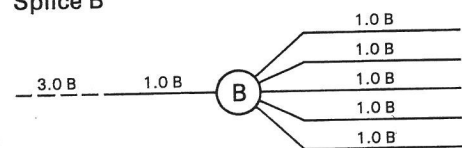


**Key to 20-11**

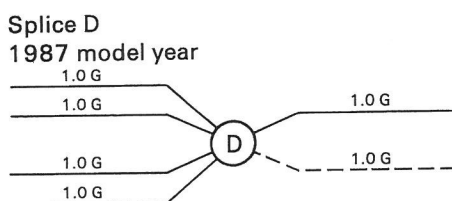
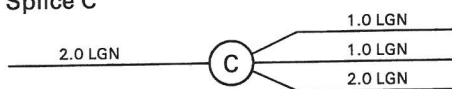
- 1 Diode board plug 18-way
- 2 Diode (diode board)
- 3 Ice warning lamp
- 4 Low fuel level warning lamp
- 5 'A' post earth points
- 6 Outside air temperature sensor
- 7 Splice A
- 8 Ice warning lamp loom connection
- 9 Instrument panel earth point
- 10 Outside air temperature sensor plug and socket
- 11 12 volts positive supply during engine cranking
- 12 Cranking interlock relay
- 13 Splice B



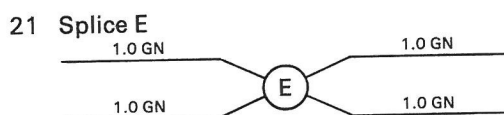
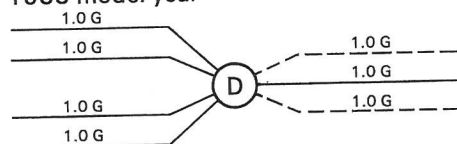
- 14 Left-hand main to valance loom plug and socket 12-way
- 15 Outside air temperature gauge plug and socket
- 16 Outside air temperature gauge
- 17 Outside air temperature gauge connections (connect together to give degrees Fahrenheit main priority)
- 18 Radio/cassette unit relay
- 19 Splice C



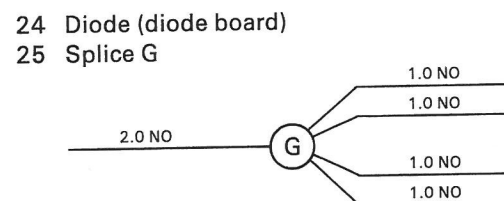
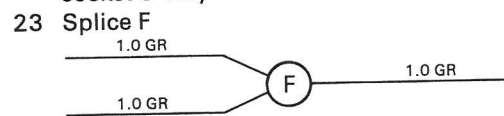
- 20 Splice D 1987 model year
- 21 Splice E
- 22 Right-hand 'A' post main to body loom plug and socket 5-way
- 23 Splice F
- 24 Diode (diode board)
- 25 Splice G



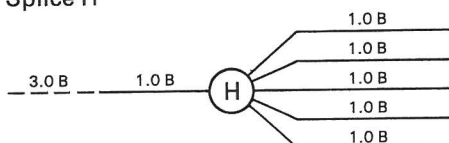
**Splice D 1988 model year**



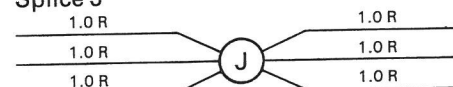
- 26 Fuseboard F1, fuse C3, 10 Amp
- 27 Fuseboard F1, fuse B4, 10 Amp
- 28 Fuseboard F1, fuse B1, 10 Amp
- 29 Memory fuse, 20 Amp (located in the luggage compartment)
- 30 Switchbox plug and socket 5-way
- 31 Lighting switch (switchbox)
- 32 Switchbox connection 60 Amp
- 33 Battery
- 34 Battery earth point
- 35 Warning lamps dimming relay
- 36 Splice H



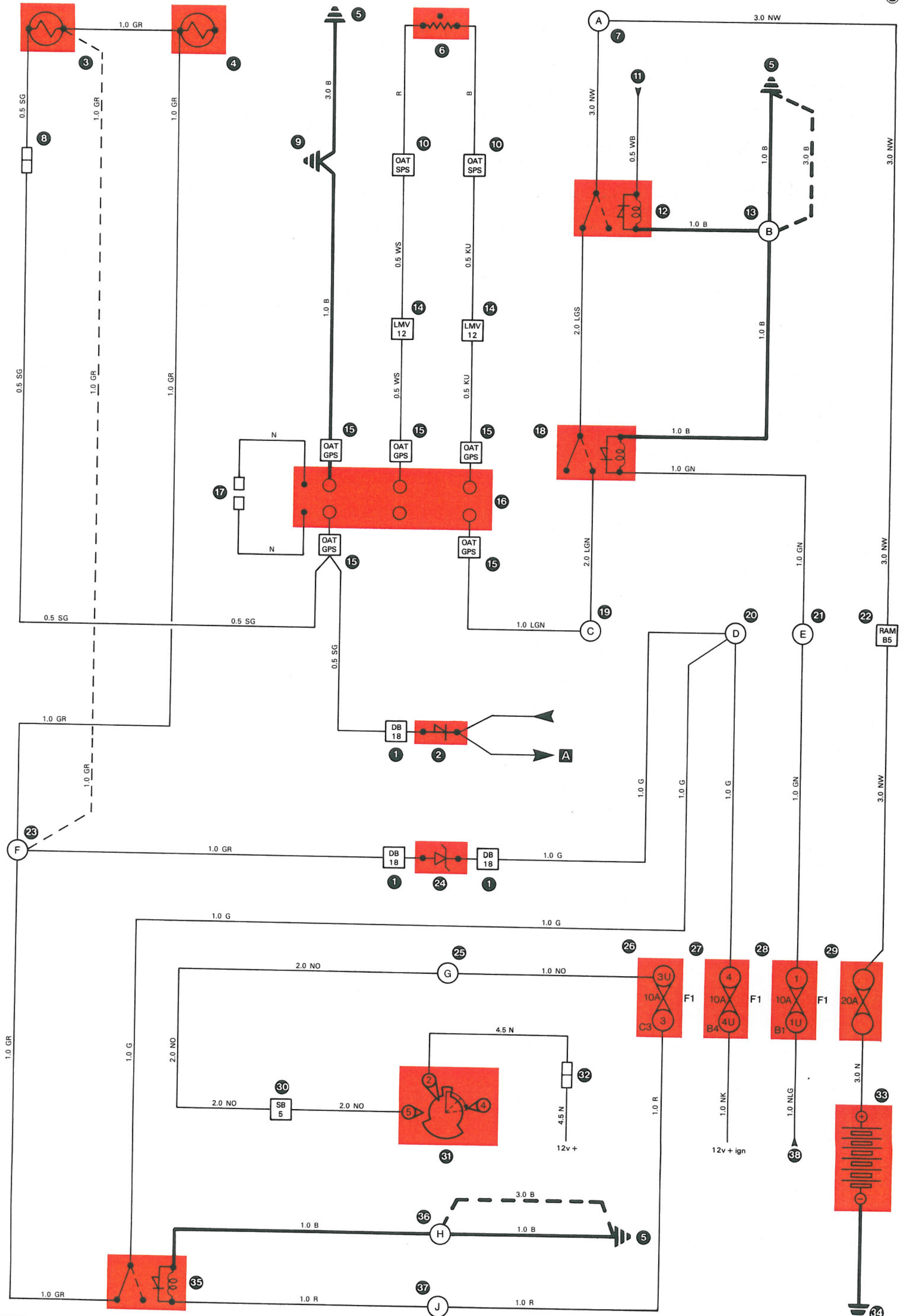
- 36 Splice H

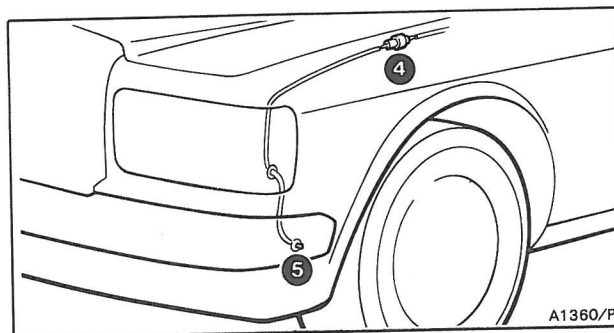
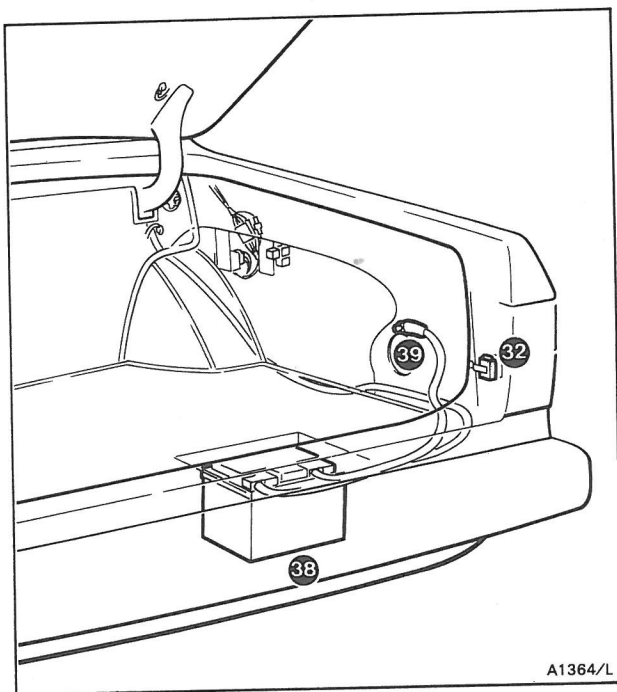
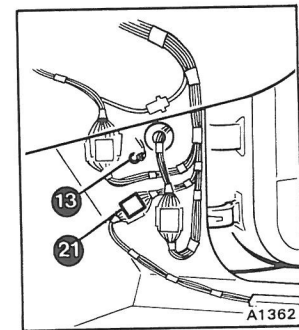
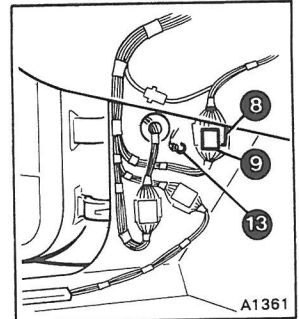
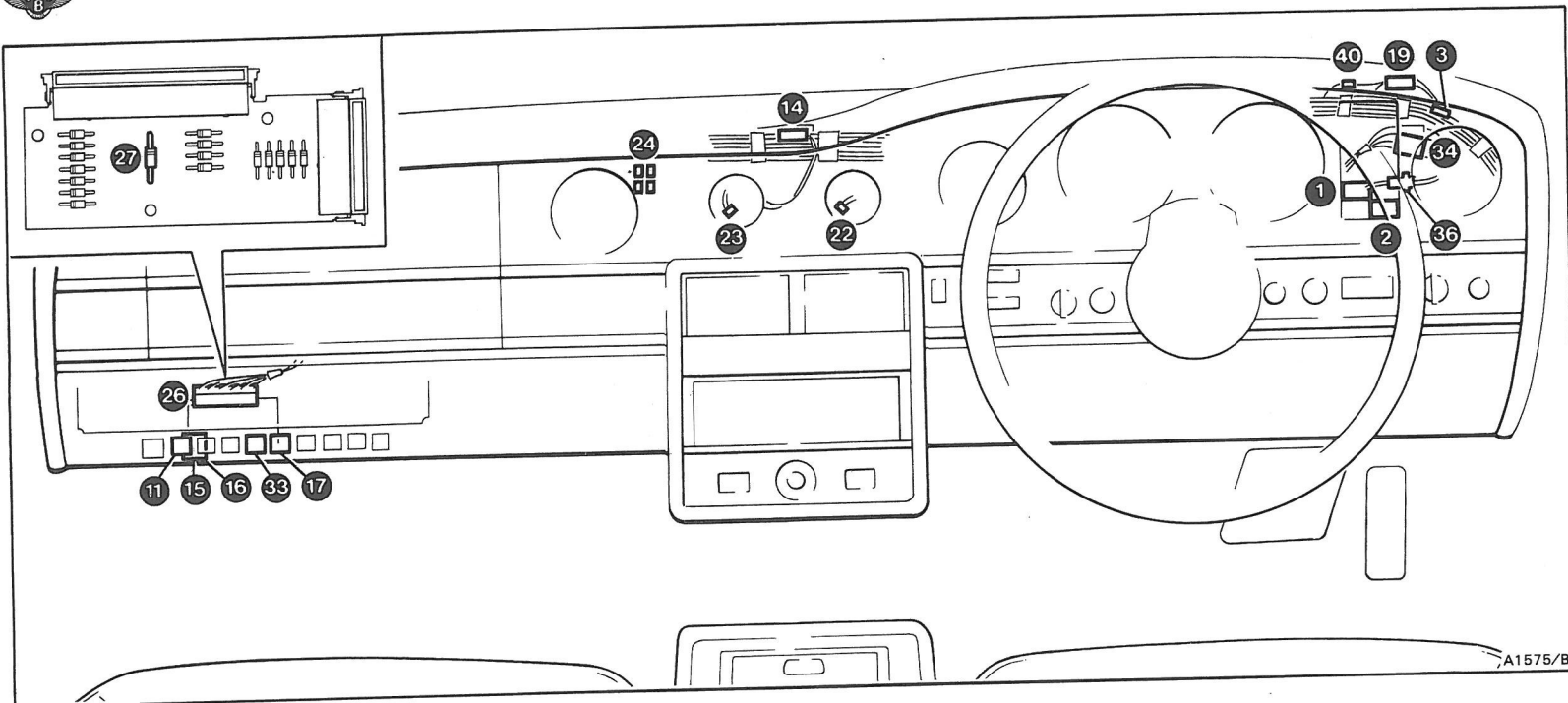


**37 Splice J**



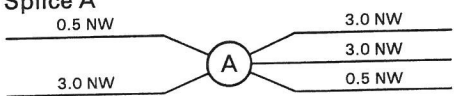
- 38 12 volts positive supply when ignition key is in the ACC or RUN position
- A** Continue at on the appropriate warning lamps test circuit (refer to Contents page)



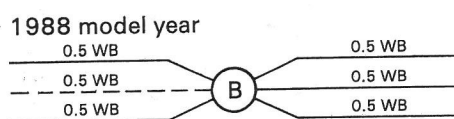
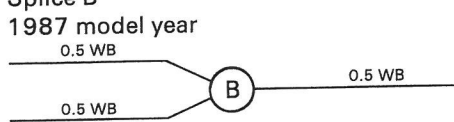


**Key to 20-13**

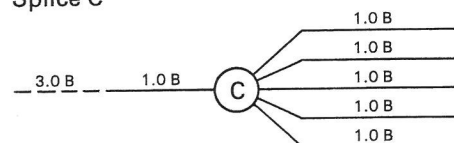
- 1 Ice warning lamp
- 2 Low fuel level warning lamp
- 3 Ice warning lamp loom connection
- 4 Outside air temperature sensor plug and socket
- 5 Outside air temperature sensor
- 6 12 volts positive supply during engine cranking
- 7 Splice A



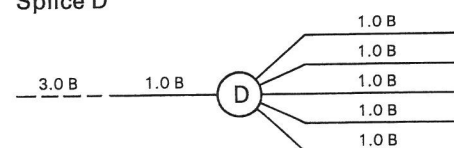
- 8 Left-hand main to valance loom plug and socket 12-way
- 9 Left-hand main to valance loom plug and socket 7-way
- 10 Splice B



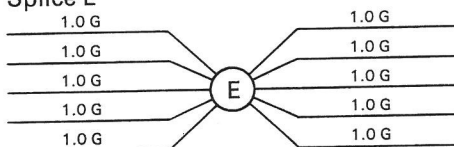
- 11 Cranking interlock relay
- 12 Splice C



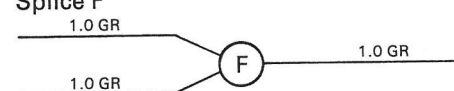
- 13 'A' post earth points
- 14 Outside air temperature gauge plug and socket
- 15 Ice warning amplifier
- 16 Ice warning amplifier plug
- 17 Warning lamps test relay
- 18 Splice D



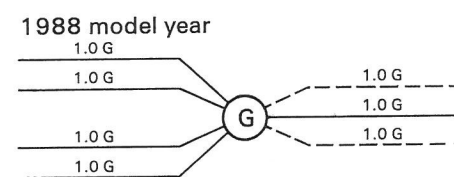
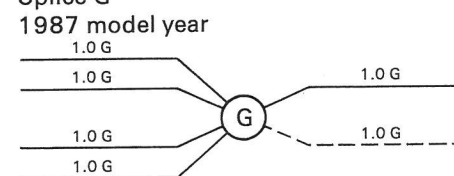
- 19 'Other than Europe' plug and socket
- 20 Splice E



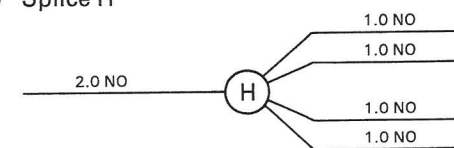
- 21 Right-hand 'A' post main to body loom plug and socket 5-way
- 22 Clock connection
- 23 Outside air temperature gauge connection
- 24 Instrument panel earth point
- 25 Splice F



- 26 Diode board plug 18-way
- 27 Diode (diode board)
- 28 Splice G

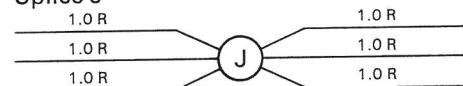


- 29 Splice H



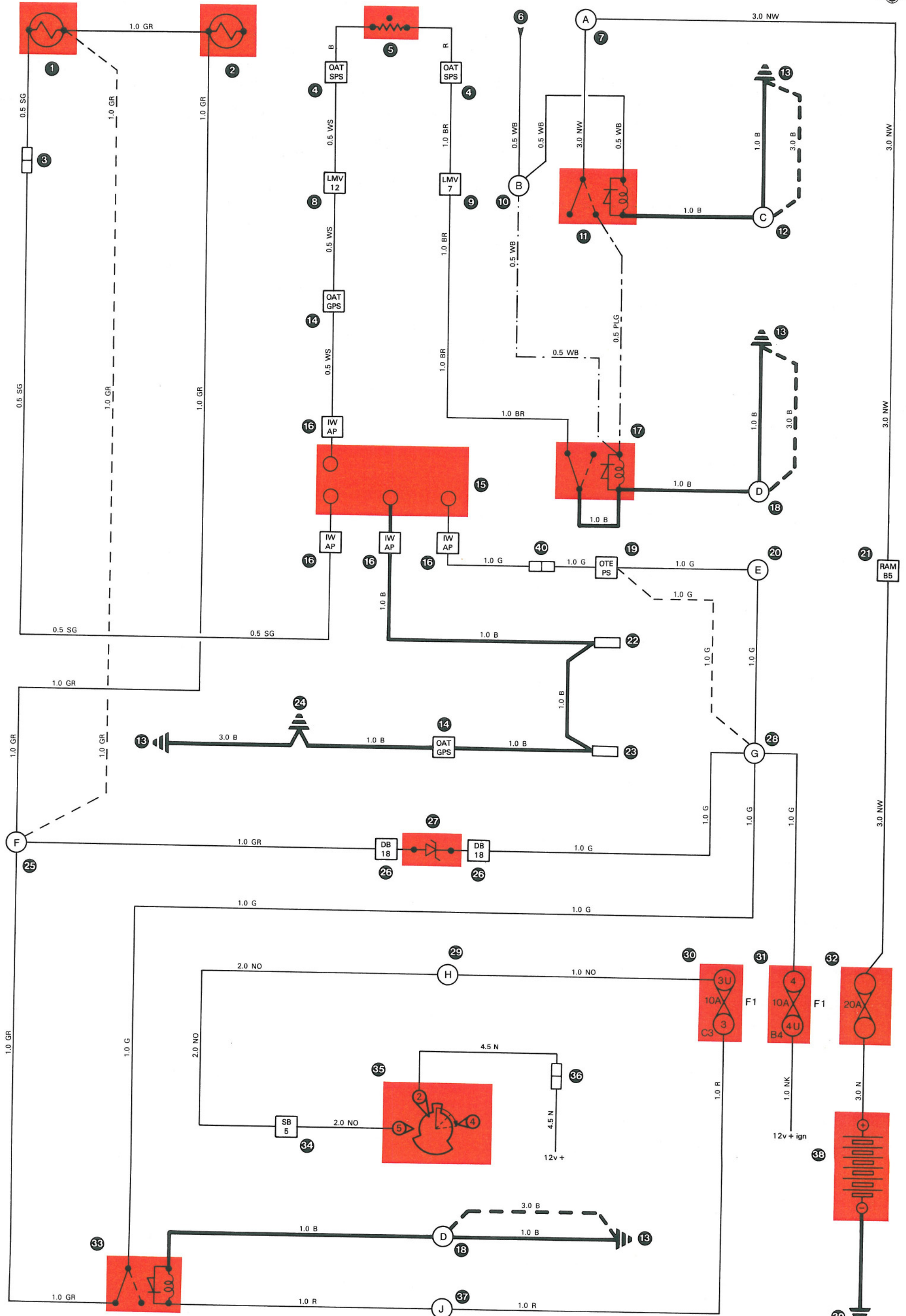
- 30 Fuseboard F1, fuse C3, 10 Amp
- 31 Fuseboard F1, fuse B4, 10 Amp
- 32 Memory fuse, 20 Amp (located in the luggage compartment)

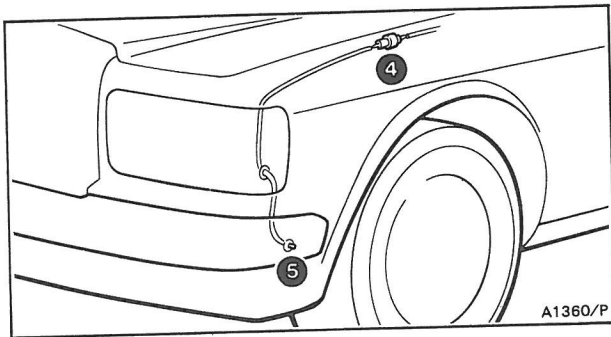
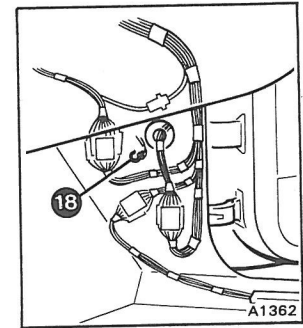
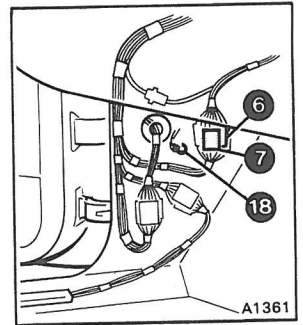
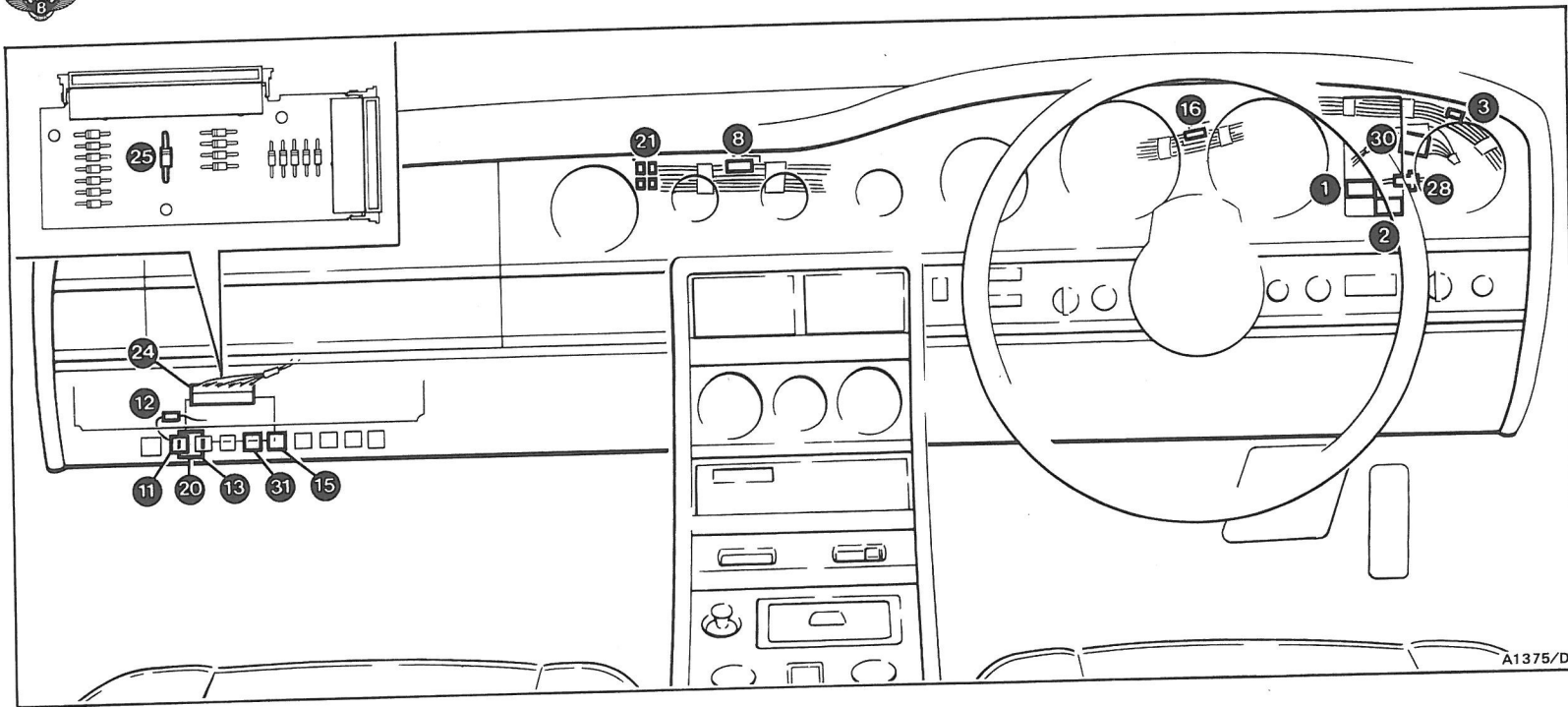
- 33 Warning lamps dimming relay
- 34 Switchbox plug and socket 5-way
- 35 Lighting switch (switchbox)
- 36 Switchbox connection 60 Amp
- 37 Splice J



- 38 Battery
- 39 Battery earth point
- 40 Loom connection (when fitted)

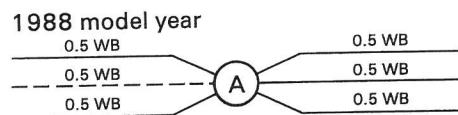
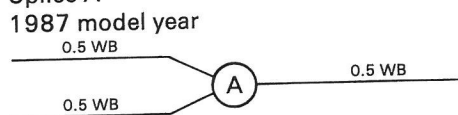
**Note** — — — Cable route on 1987 model year cars only  
 - - - - - Cable route on 1988 model year cars only



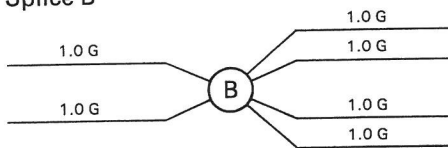


**Key to 20-15**

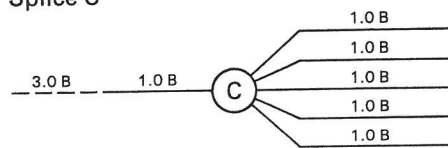
- 1 Ice warning lamp
- 2 Low fuel level warning lamp
- 3 Ice warning lamp loom connection
- 4 Outside air temperature sensor plug and socket
- 5 Outside air temperature sensor
- 6 Left-hand main to valve loom plug and socket 12-way
- 7 Left-hand main to valve loom plug and socket 7-way
- 8 Outside air temperature gauge plug and socket
- 9 Splice A



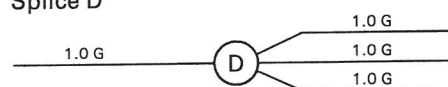
- 10 12 volts positive supply during engine cranking
- 11 Cranking interlock relay
- 12 Link loom connection (1987 model year cars only)
- 13 Ice warning amplifier plug
- 14 Splice B



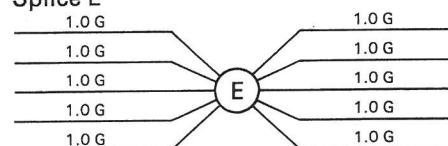
- 15 Warning lamps test relay
- 16 Link loom connection
- 17 Splice C



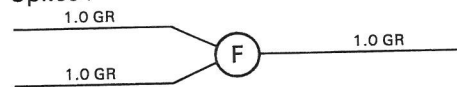
- 18 'A' post earth points
- 19 Splice D



- 20 Ice warning amplifier
- 21 Instrument panel earth point
- 22 Splice E

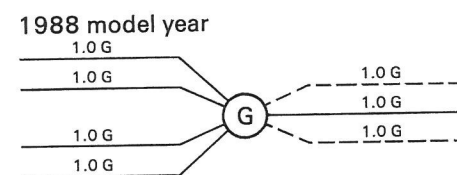
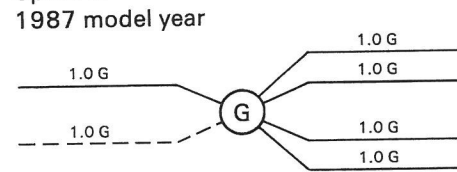


- 23 Splice F

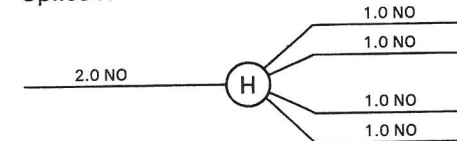


- 24 Diode board plug 18-way
- 25 Diode (diode board)

- 26 Splice G

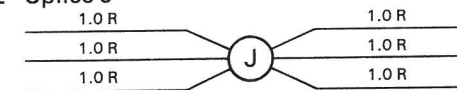


- 27 Splice H



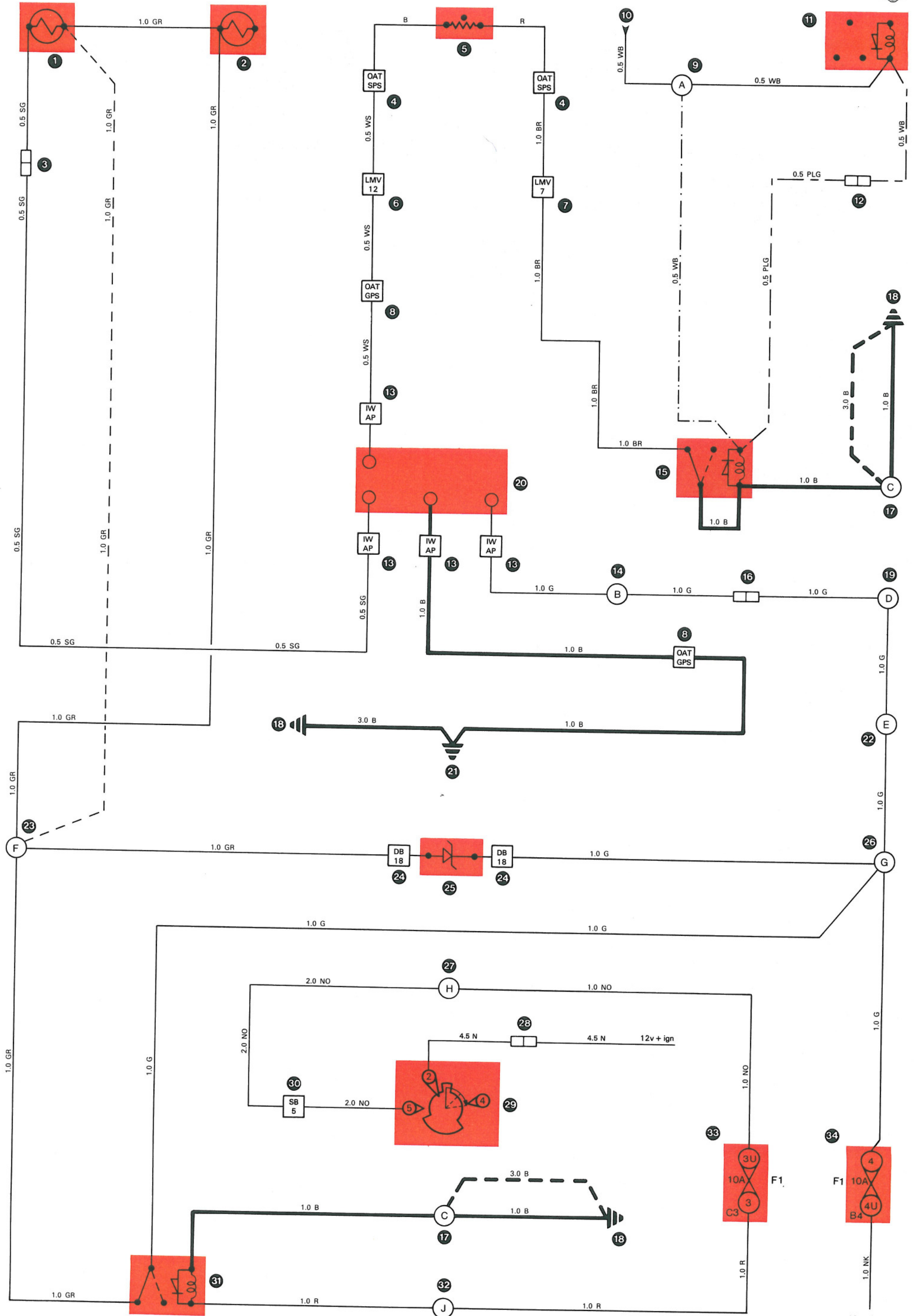
- 28 Switchbox connection 60 Amp
- 29 Lighting switch (switchbox)
- 30 Switchbox plug and socket 5-way
- 31 Warning lamps dimming relay

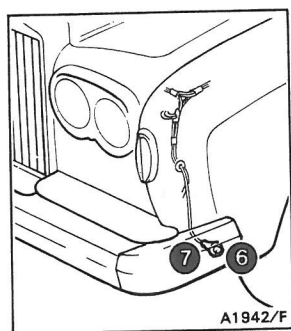
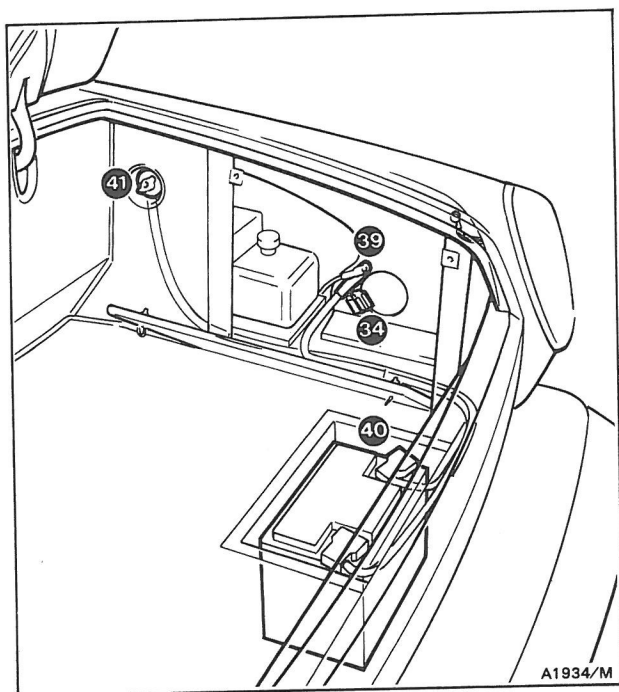
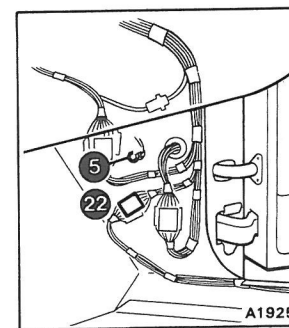
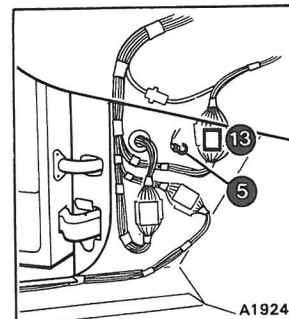
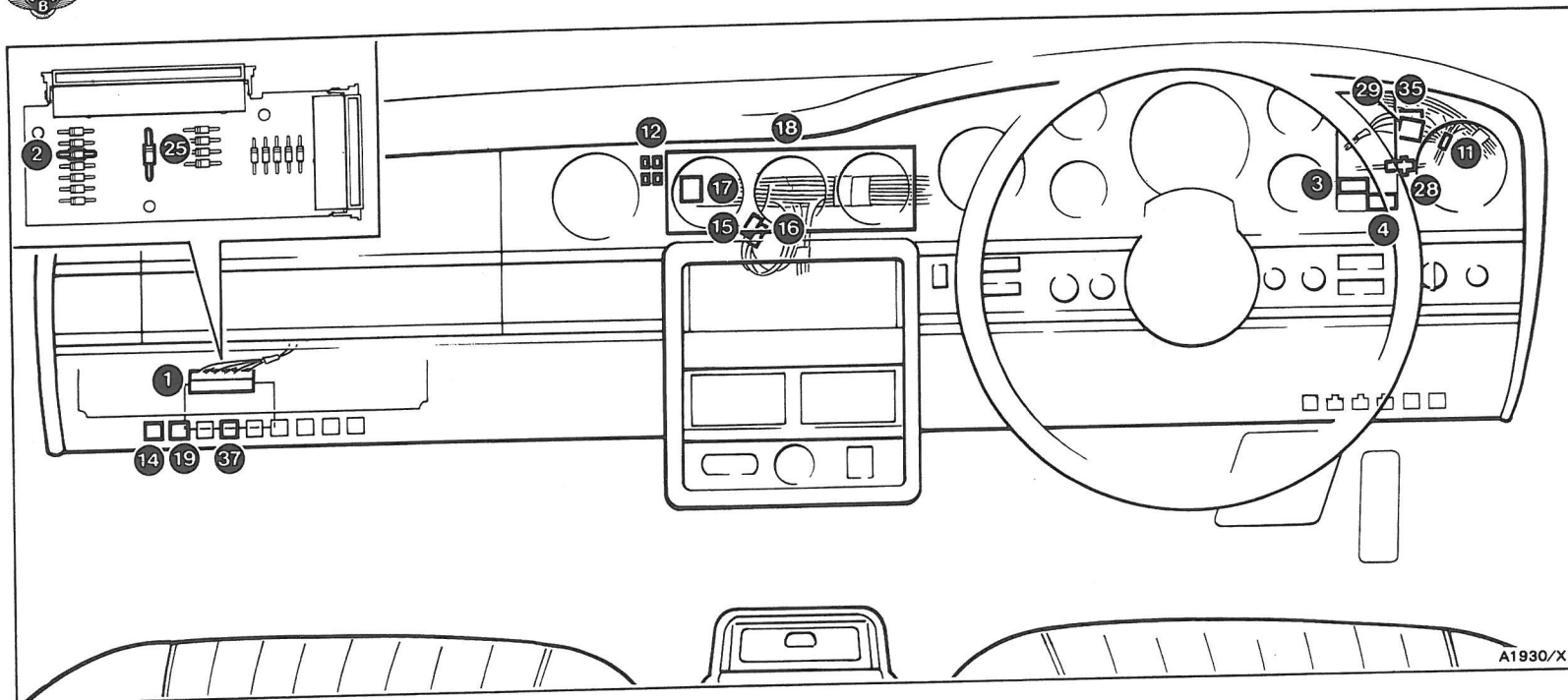
- 32 Splice J



- 33 Fuseboard F1, fuse C3, 10 Amp
- 34 Fuseboard F1, fuse B4, 10 Amp

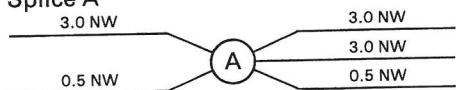
**Note** — — — Cable route on 1987 model year cars only  
 - - - - - Cable route on 1988 model year cars only



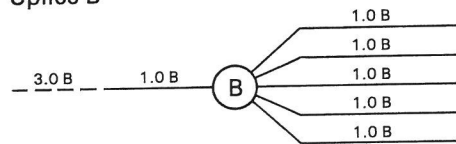


**Key to 20-17**

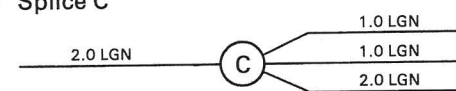
- 1 Diode board plug 18-way
- 2 Diode (diode board)
- 3 Ice warning lamp
- 4 Low fuel warning lamp
- 5 'A' post earth points
- 6 Outside air temperature sensor
- 7 Outside air temperature sensor plug
- 8 Splice A



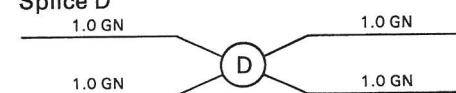
- 9 12 volts positive supply during engine cranking
- 10 Splice B



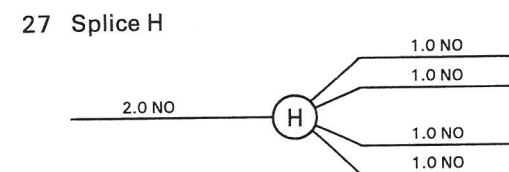
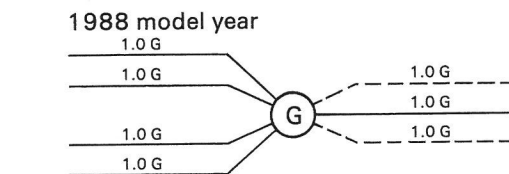
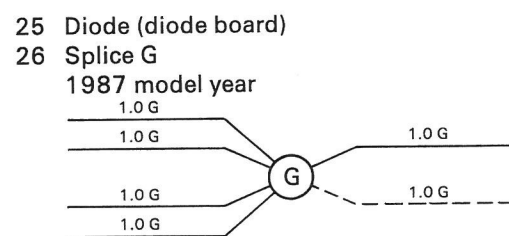
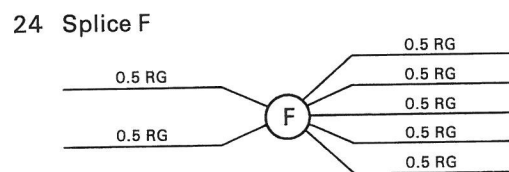
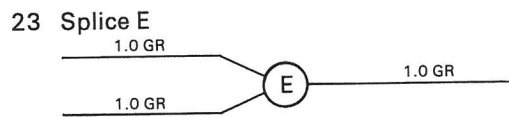
- 11 Ice warning lamp loom connection
- 12 Instrument panel earth point
- 13 Left-hand main to valance loom plug and socket 12-way
- 14 Cranking interlock relay
- 15 Main to digital instrument link loom plug and socket 4-way
- 16 Main to digital instrument link loom plug and socket 6-way
- 17 Digital instrument plug
- 18 Digital instrument
- 19 Radio/cassette unit relay
- 20 Splice C



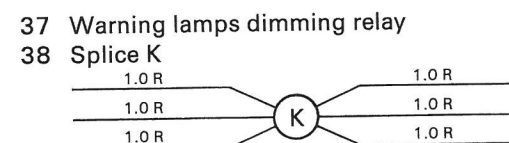
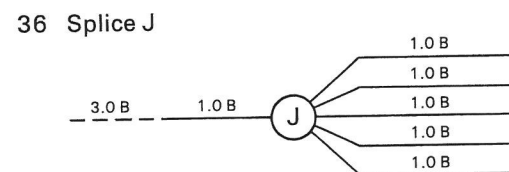
- 21 Splice D



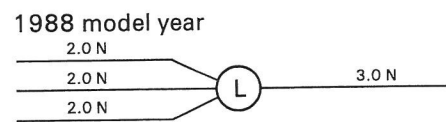
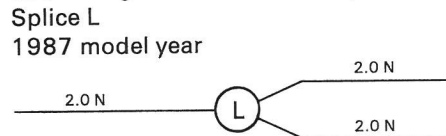
- 22 Right-hand 'A' post main to body loom plug and socket 5-way



- 23 Splice E
- 24 Splice F
- 25 Diode (diode board)
- 26 Splice G
- 1987 model year
- 1988 model year
- 27 Splice H
- 28 Switchbox connection 60 Amp
- 29 Switchbox plug and socket 5-way
- 30 Lighting switches (switchbox)
- 31 Fuseboard F1, fuse C3, 10 Amp
- 32 Fuseboard F1, fuse B4, 10 Amp
- 33 Fuseboard F1, fuse B1, 10 Amp
- 34 Memory fuse, 20 Amp (located in the luggage compartment)
- 35 Switchbox plug and socket 18-way

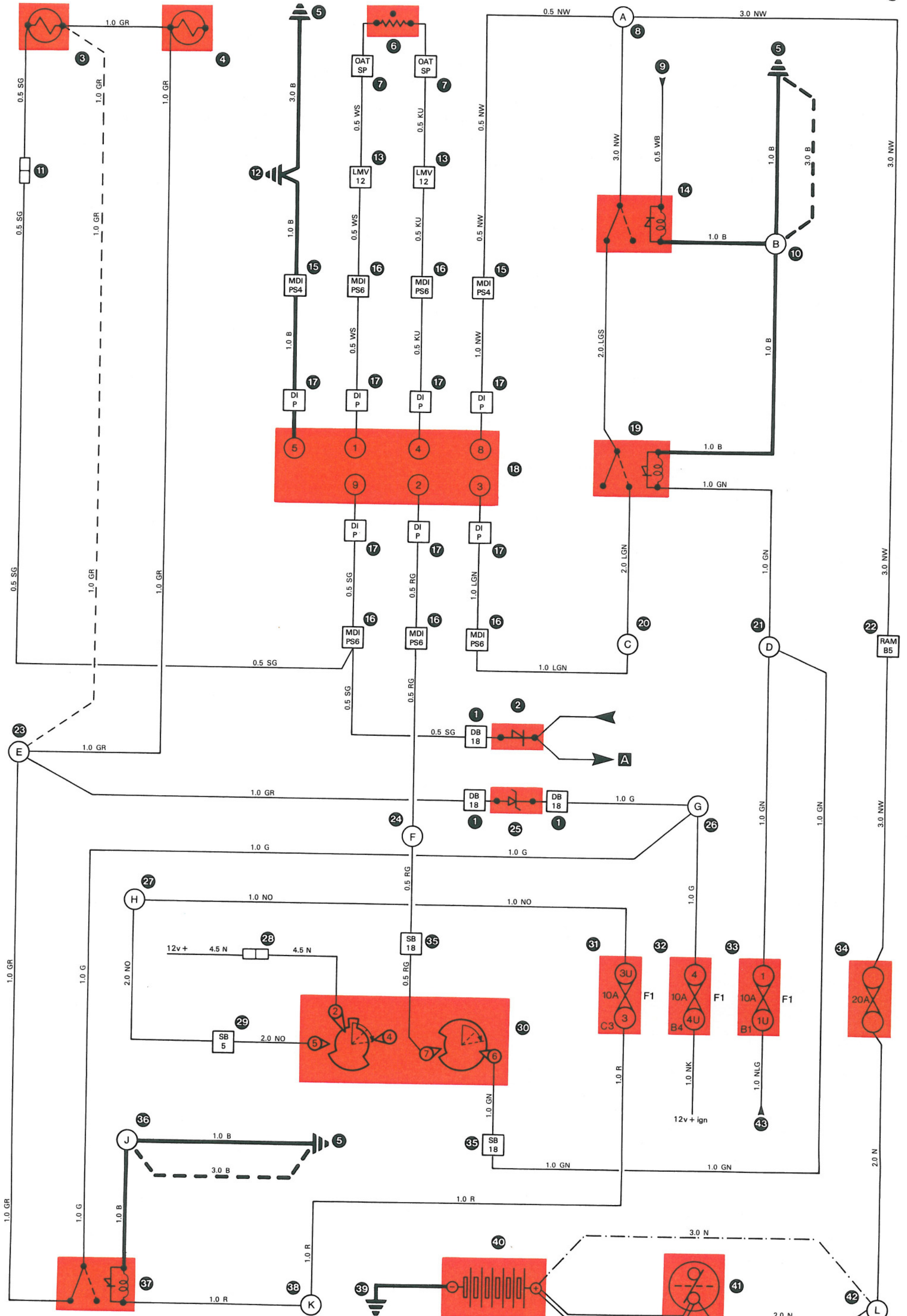


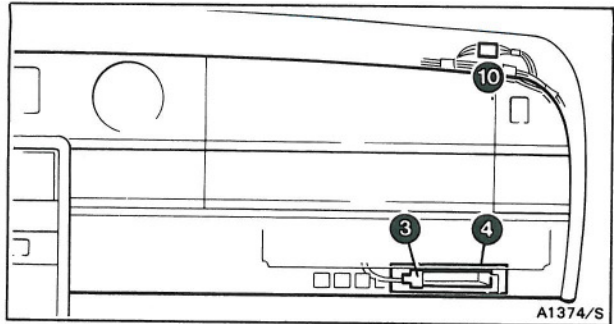
- 36 Splice J
- 37 Warning lamps dimming relay
- 38 Splice K
- 39 Battery earth point
- 40 Battery
- 41 Battery master switch (Cars other than those conforming to a West German specification)
- 42 Splice L



- 43 12 volts positive supply when ignition key is in the ACC or RUN position
- A** Continue at on the appropriate warning lamps test circuit (refer to Contents page)

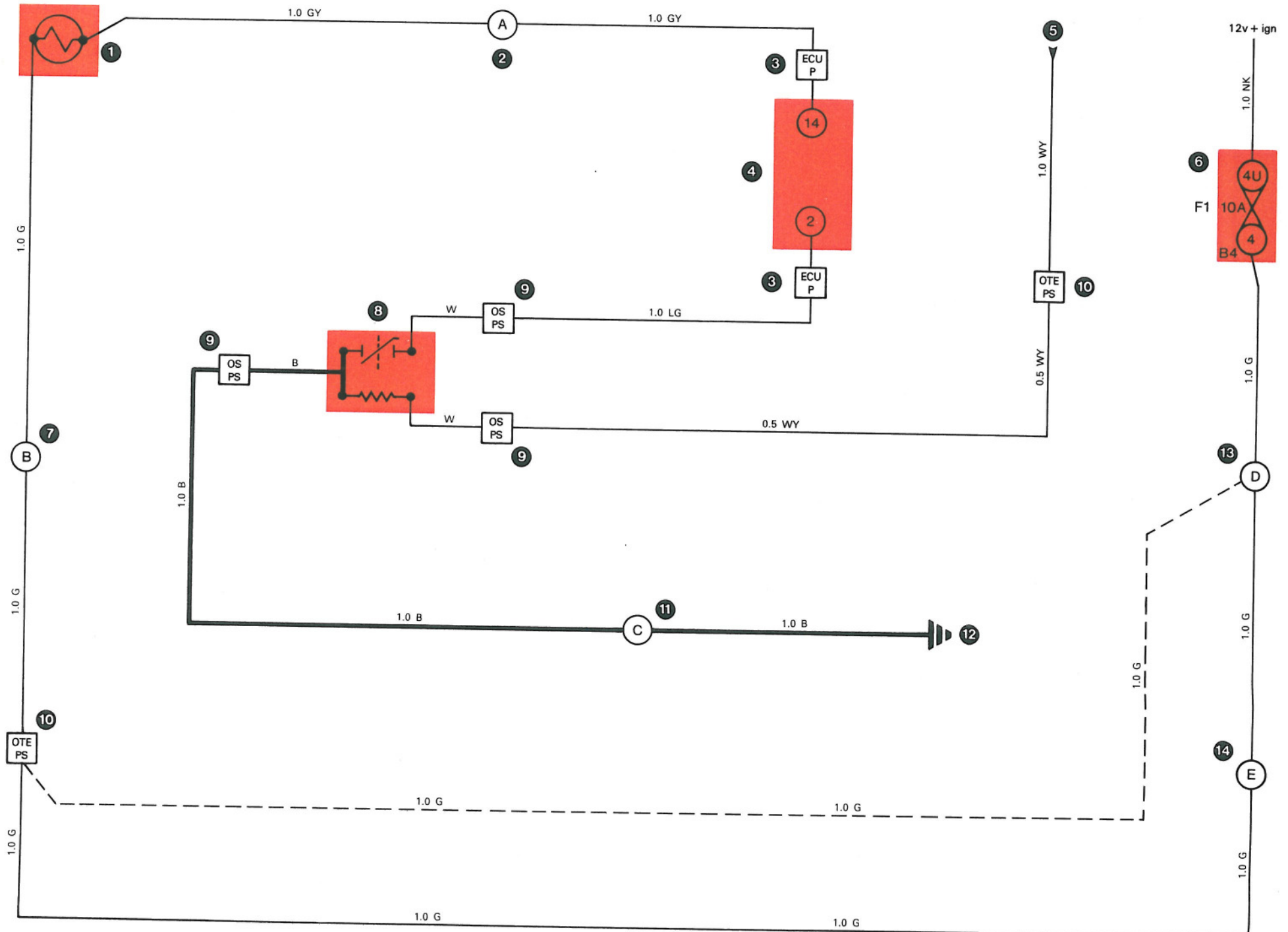
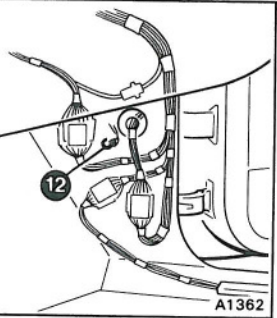
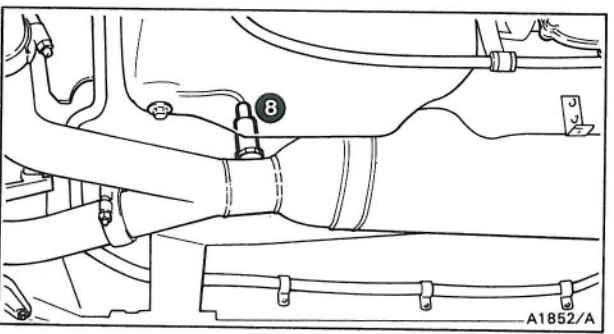
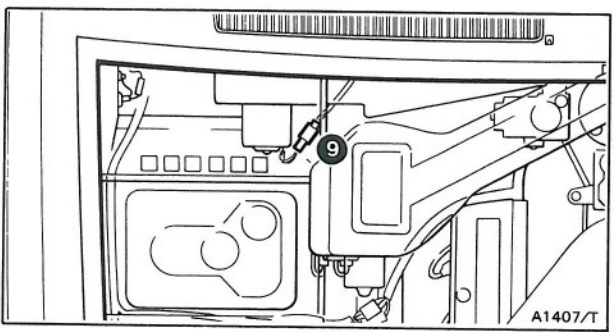
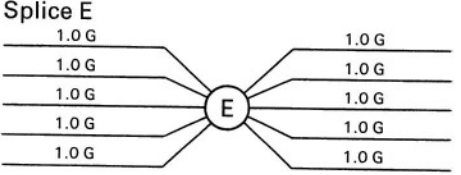
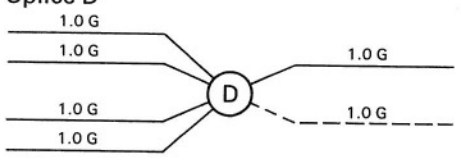
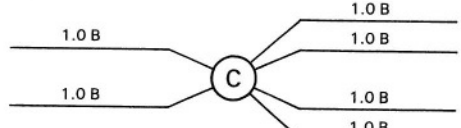
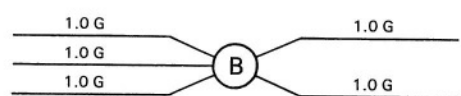
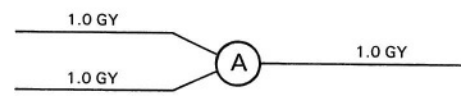
**Note** Alternative cable route on 1988 model year cars

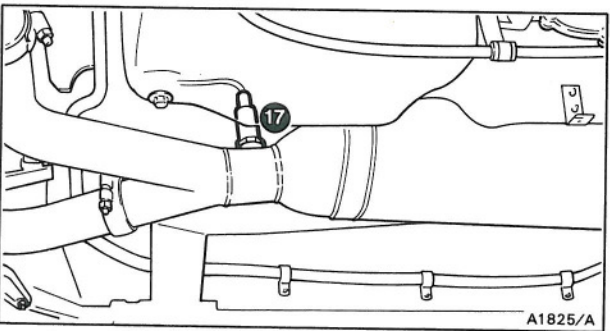
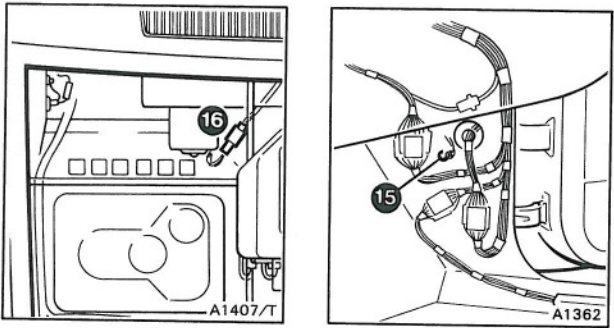
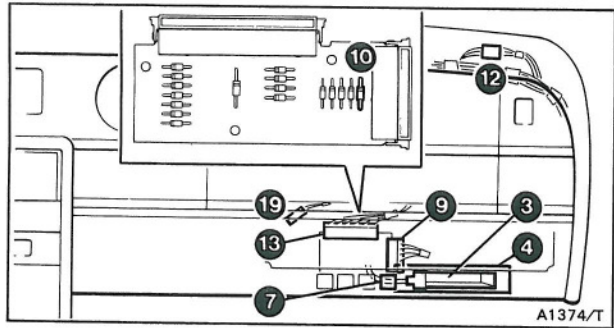




**Key to 20-18**

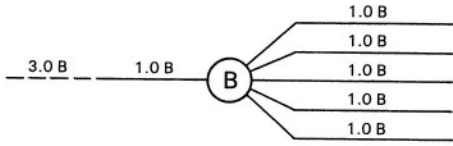
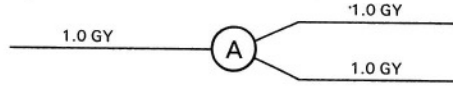
- 1 Oxygen sensor warning lamp
- 2 Splice A
- 3 Fuel injection electronic control unit plug
- 4 Fuel injection electronic control unit
- 5 12 volts positive supply when engine is running
- 6 Fuseboard F1, fuse B4, 10 Amp
- 7 Splice B
- 8 Oxygen sensor and heater
- 9 Oxygen sensor and heater plug and socket
- 10 'Other than Europe' plug and socket
- 11 Splice C
- 12 Right-hand 'A' post earth point
- 13 Splice D
- 14 Splice E



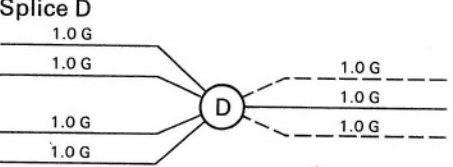
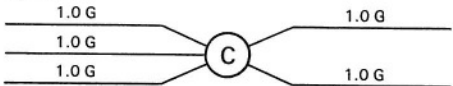


**Key to 20-19**

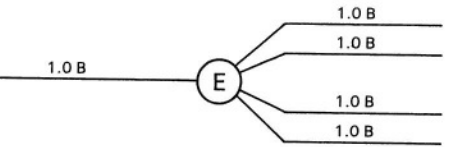
- 1 Oxygen sensor warning lamp
- 2 Splice A
- 3 Fuel injection electronic control unit plug
- 4 Fuel injection electronic control unit
- 5 12 volts positive supply when engine is running
- 6 Fuseboard F1, fuse B4, 10 Amp
- 7 Warning lamps test relay
- 8 Splice B



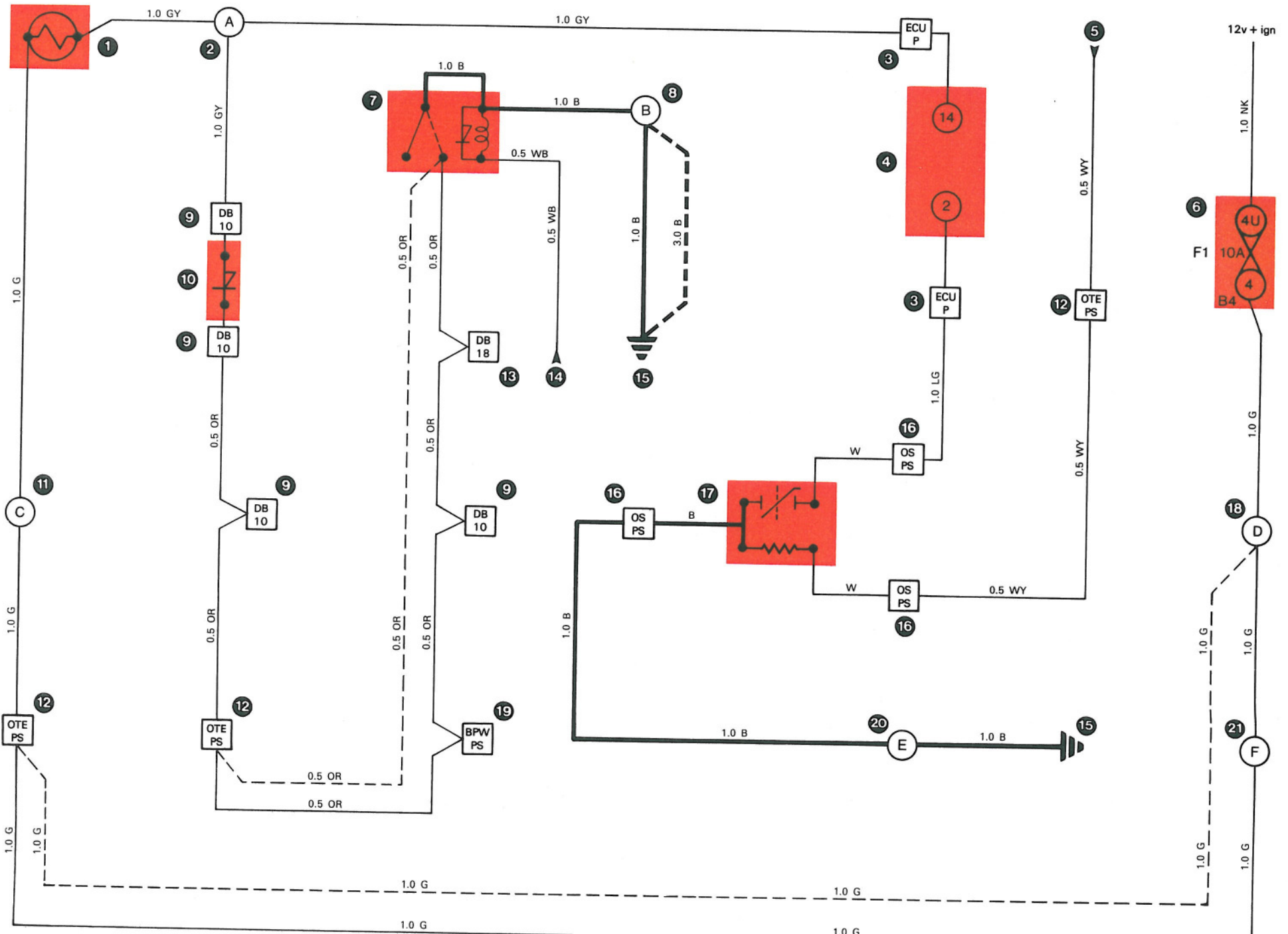
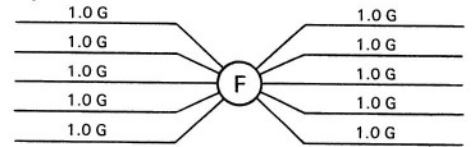
- 9 Diode board plug 10-way
- 10 Diode (diode board)
- 11 Splice C
- 12 'Other than Europe' plug and socket
- 13 Diode board plug 18-way
- 14 12 volts positive supply during engine cranking
- 15 Right-hand 'A' post earth point
- 16 Oxygen sensor and heater plug and socket
- 17 Oxygen sensor and heater
- 18 Splice D

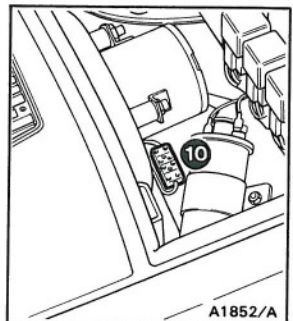
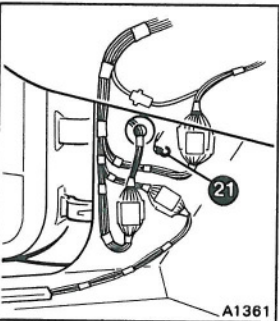
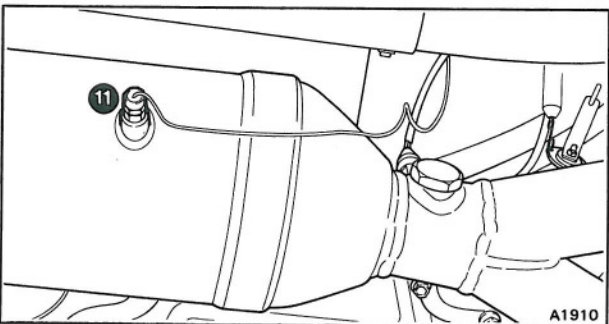
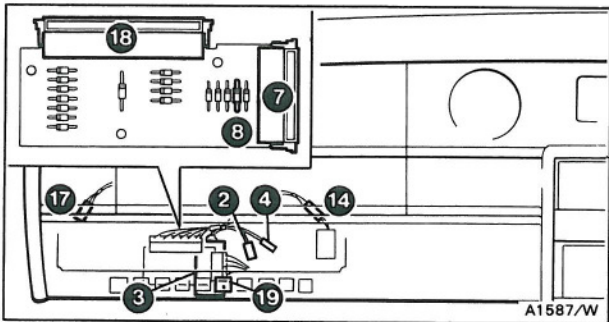
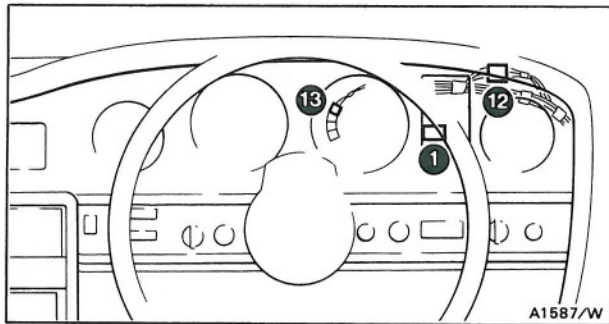


- 19 Brake pressure warning plug and socket
- 20 Splice E



**21 Splice F**

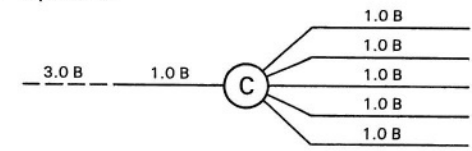




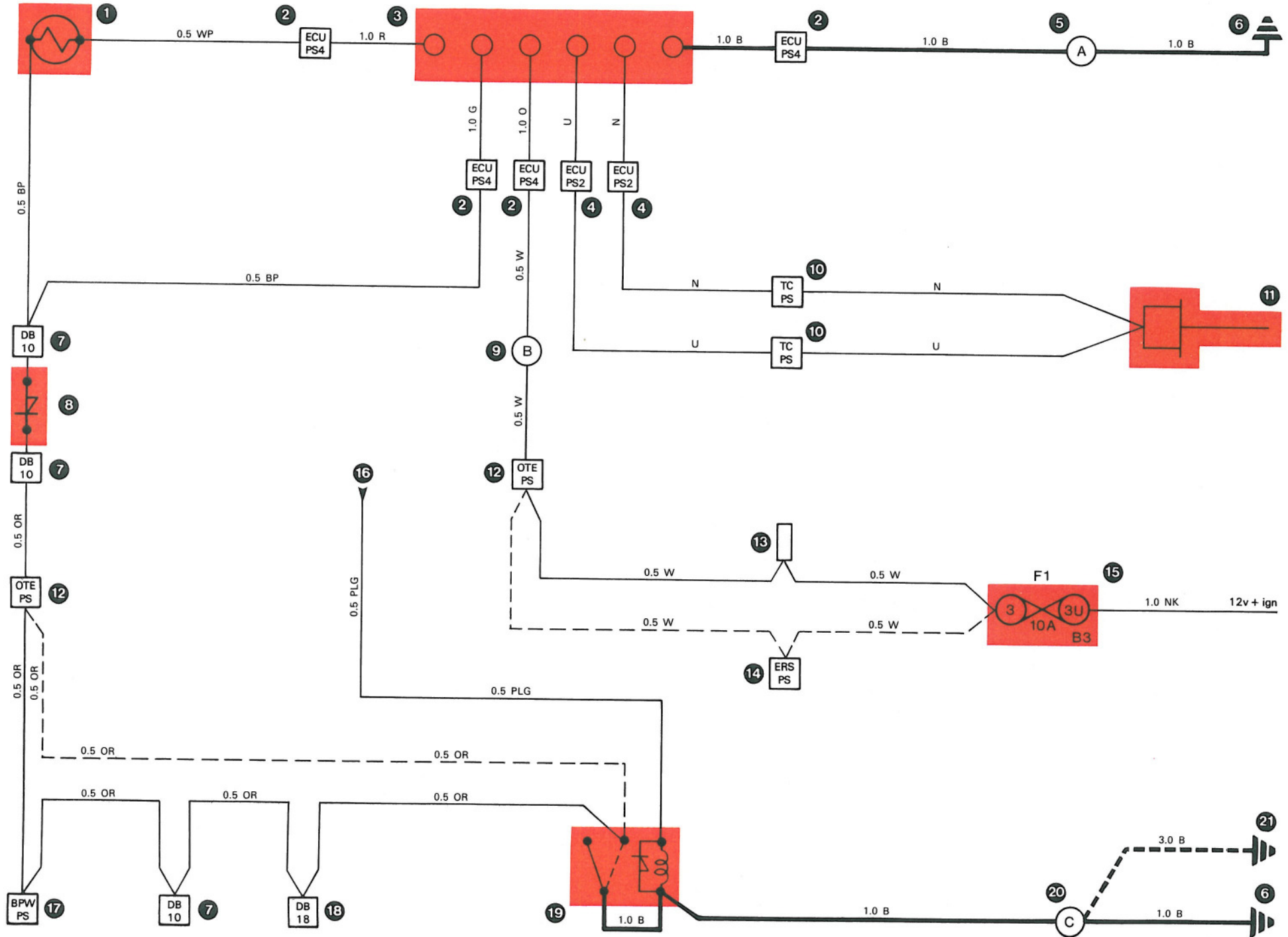
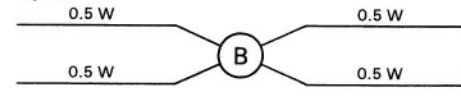
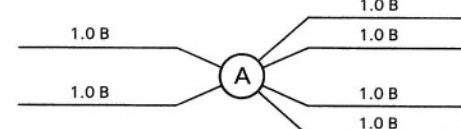
**Key to 20-20**

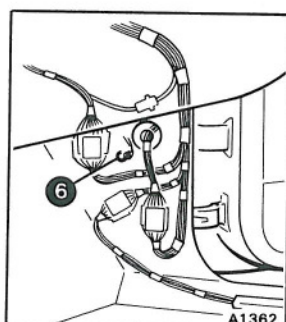
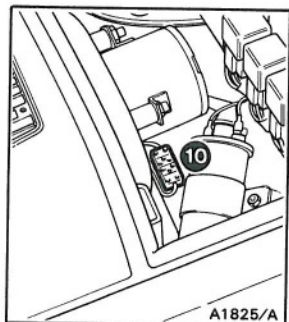
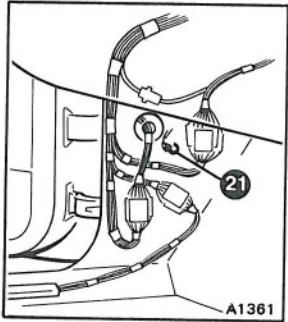
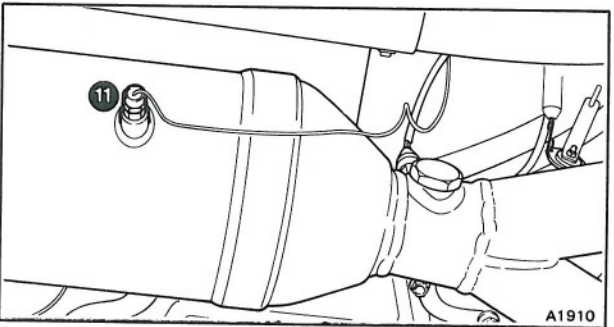
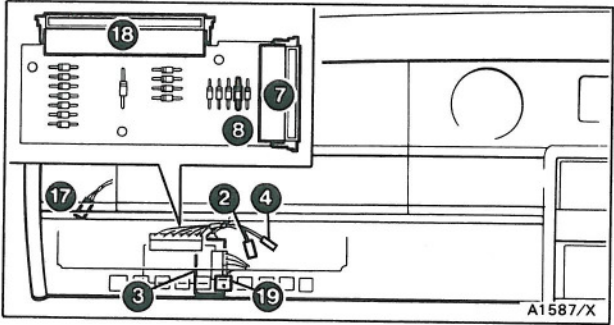
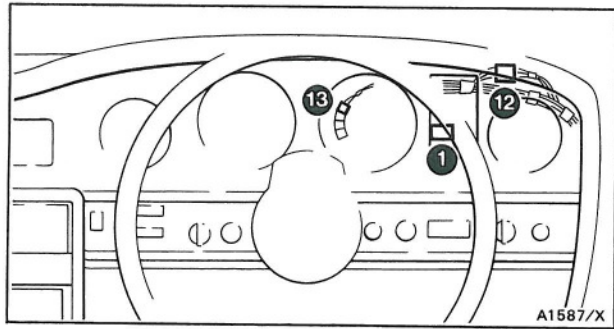
- 1 Exhaust temperature overheating warning lamp
- 2 Exhaust temperature electronic control unit plug and socket 4-way
- 3 Exhaust temperature electronic control unit plug and socket 2-way
- 4 Exhaust temperature electronic control unit plug and socket 2-way
- 5 Splice A
- 6 Right-hand 'A' post earth point
- 7 Diode board plug 10-way
- 8 Diode (diode board)
- 9 Splice B
- 10 Thermocouple plug and socket
- 11 Thermocouple probe
- 12 'Other than Europe' plug and socket
- 13 Speedometer connection - positive
- 14 Engine running sensor plug and socket
- 15 Fuseboard F1, fuse B3, 10 Amp
- 16 12 volts positive supply when engine is cranking
- 17 Brake pressure warning plug and socket
- 18 Diode board plug 18-way
- 19 Warning lamps test relay

**20 Splice C**



**21 Left-hand 'A' post earth point**

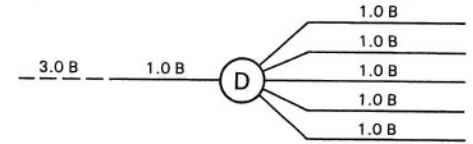




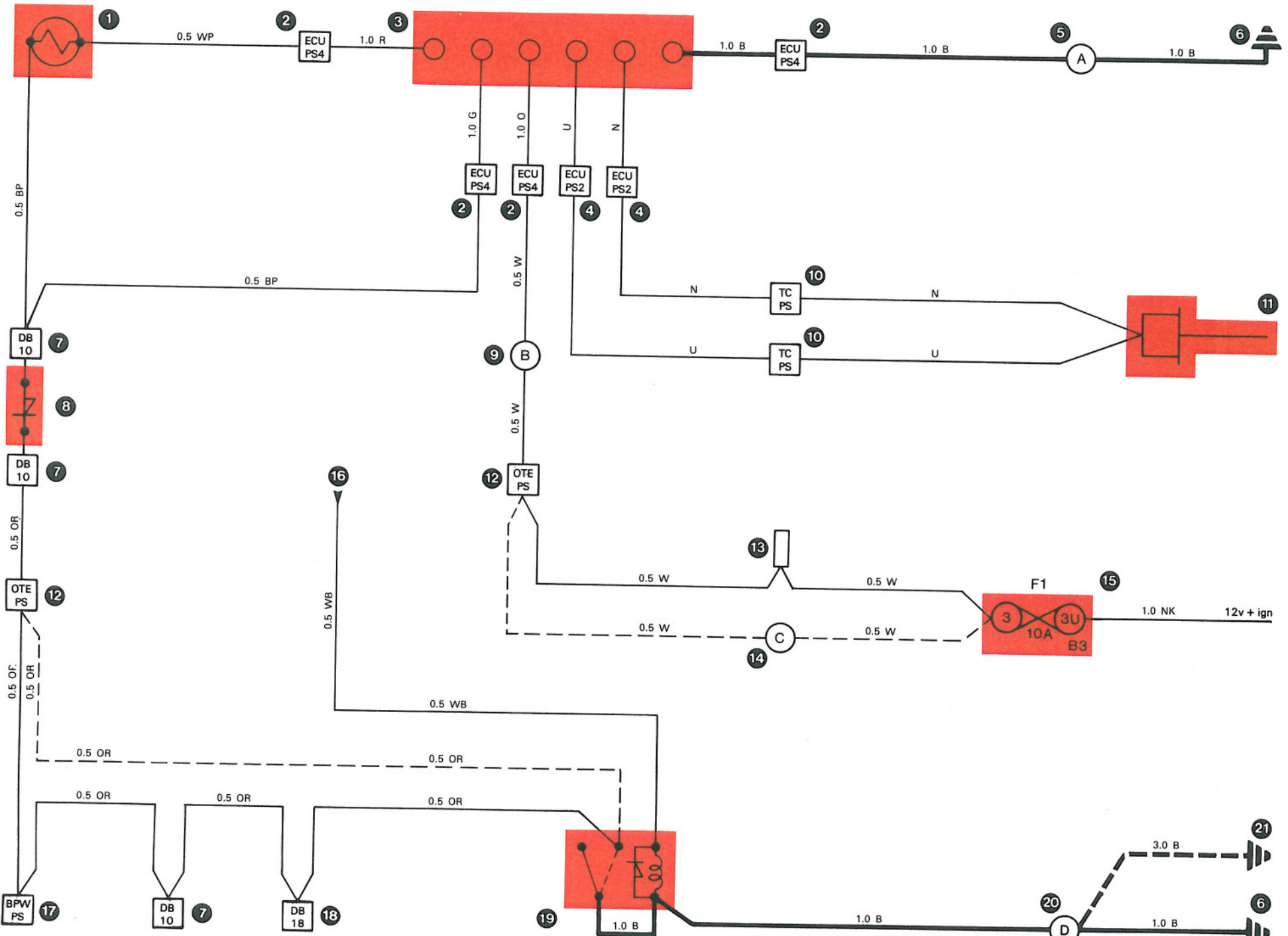
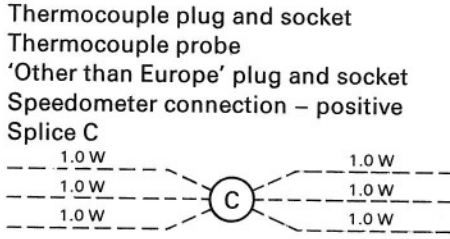
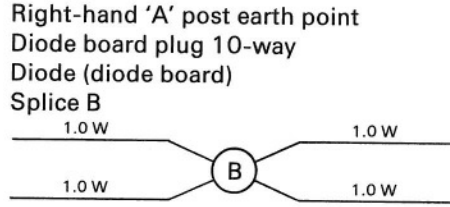
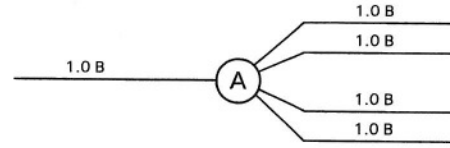
**Key to 20-21**

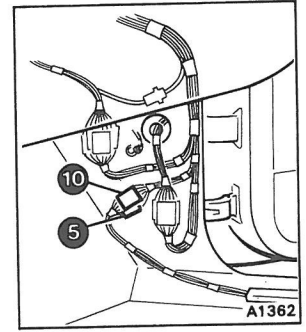
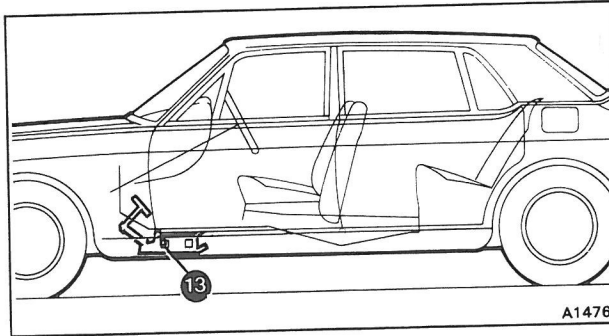
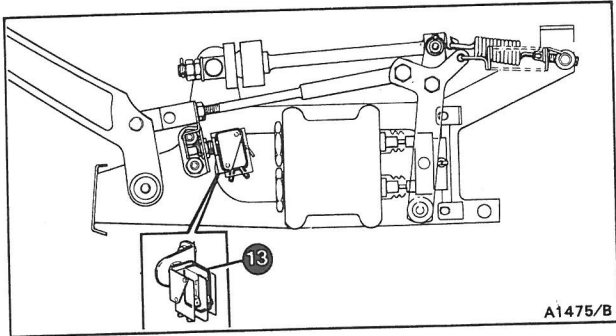
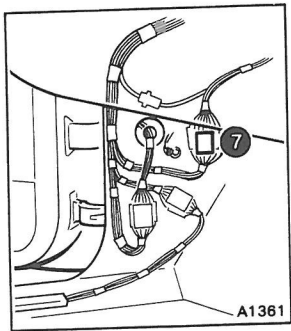
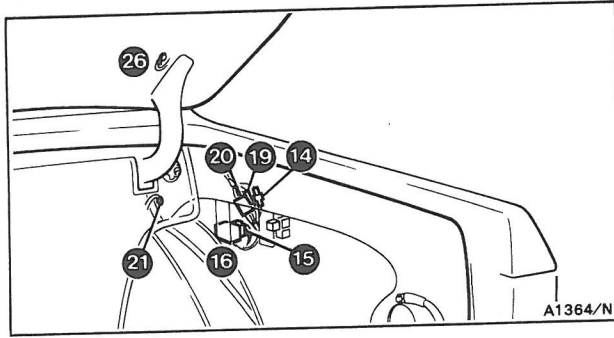
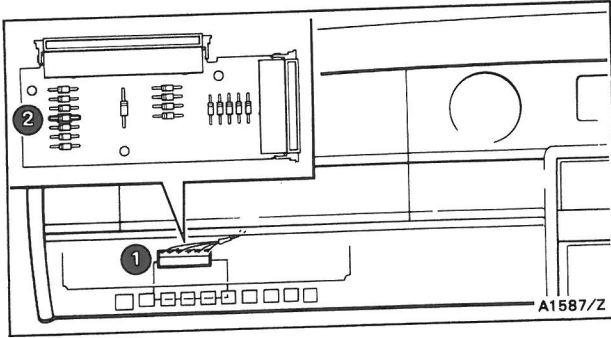
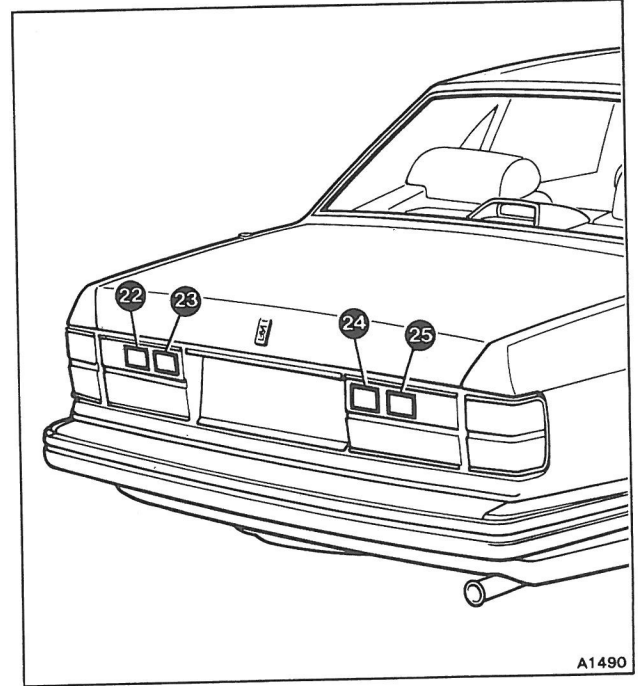
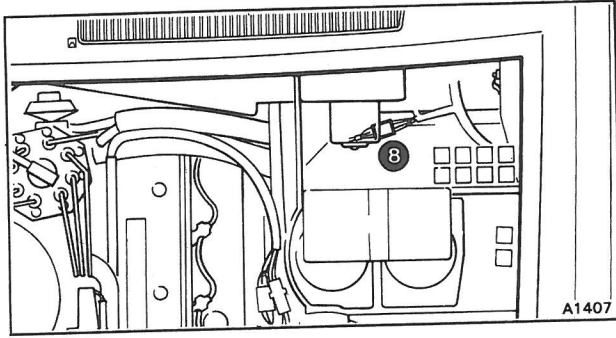
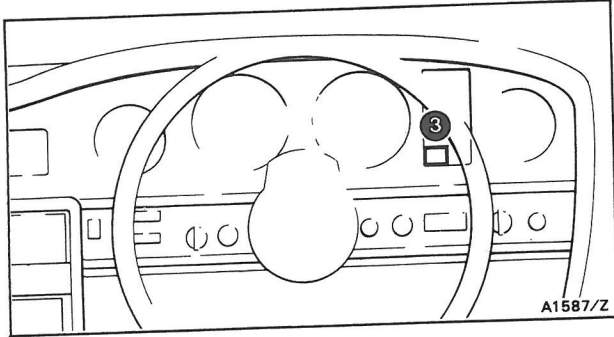
- 1 Exhaust temperature overheat warning lamp
- 2 Exhaust temperature electronic control unit plug and socket 4-way
- 3 Exhaust temperature electronic control unit
- 4 Exhaust temperature electronic control unit plug and socket 2-way
- 5 Splice A
- 6 Right-hand 'A' post earth point
- 7 Diode board plug 10-way
- 8 Diode (diode board)
- 9 Splice B
- 10 Thermocouple plug and socket
- 11 Thermocouple probe
- 12 'Other than Europe' plug and socket
- 13 Speedometer connection - positive
- 14 Splice C
- 15 Fuseboard F1, fuse B3, 10 Amp
- 16 12 volts positive supply when engine is cranking
- 17 Brake pressure warning plug and socket
- 18 Diode board plug 18-way

- 19 Warning lamps test relay
- 20 Splice D



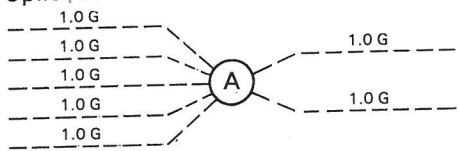
- 21 Left-hand 'A' post earth point



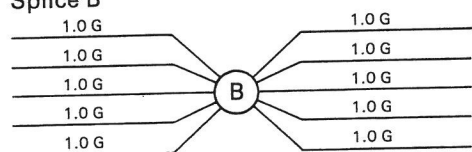


**Key to 20-23**

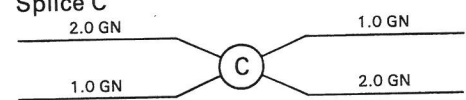
- 1 Diode board plug 18-way
- 2 Diode (diode board)
- 3 Stop lamp failure warning lamp
- 4 Splice A



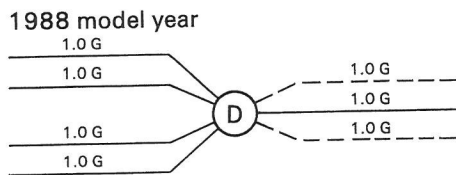
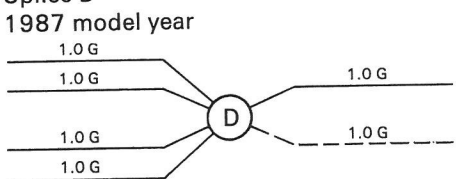
- 5 Right-hand 'A' post main to body loom plug and socket 12-way
- 6 Splice B



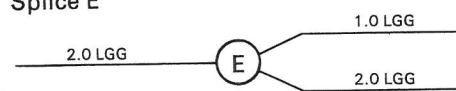
- 7 Left-hand main to valance loom plug and socket 7-way
- 8 Brake switch loom plug and socket
- 9 Splice C



- 10 Right-hand 'A' post main to body loom plug and socket 7-way
- 11 Splice D

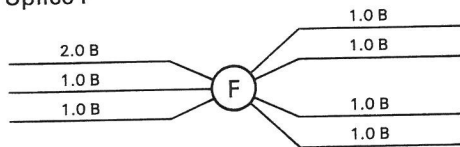


- 12 Splice E

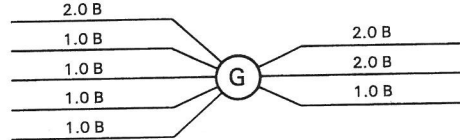


- 13 Stop lamps switch
- 14 Stop lamp failure amplifier connection (Cars conforming to a North American specification)
- 15 Stop lamp failure amplifier plug
- 16 Stop lamp failure amplifier
- 17 Fuseboard F1, fuse B4, 10 Amp
- 18 Fuseboard F2, fuse B3, 20 Amp
- 19 Body to luggage compartment lid loom plug and socket 12-way

- 20 Body to luggage compartment lid loom plug and socket 3-way
- 21 Luggage compartment earth point - right-hand
- 22 Left-hand outer stop lamp (Cars conforming to a Japanese or North American specification)
- 23 Left-hand stop lamp
- 24 Right-hand stop lamp
- 25 Right-hand outer stop lamp (Cars conforming to a Japanese or North American specification)
- 26 Luggage compartment lid earth point
- 27 Splice F

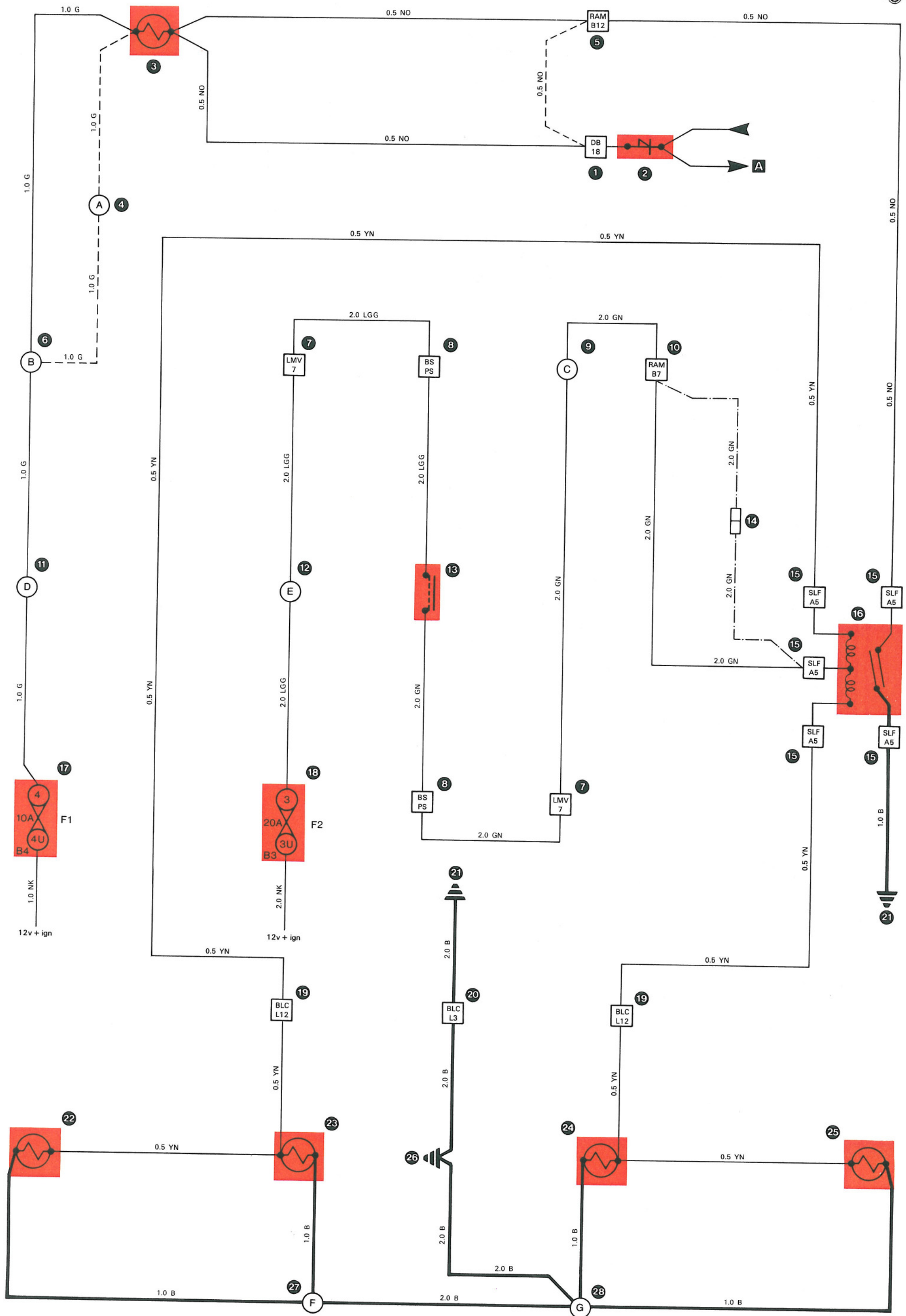


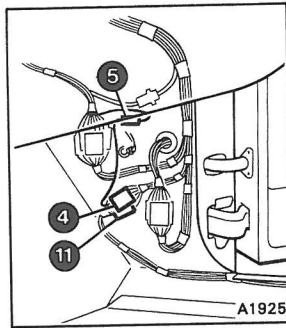
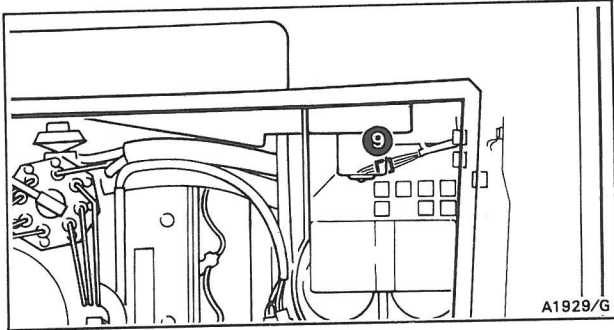
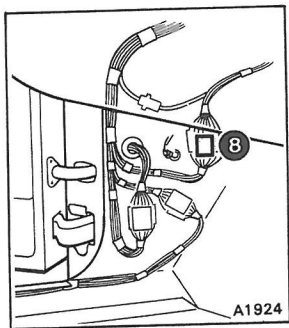
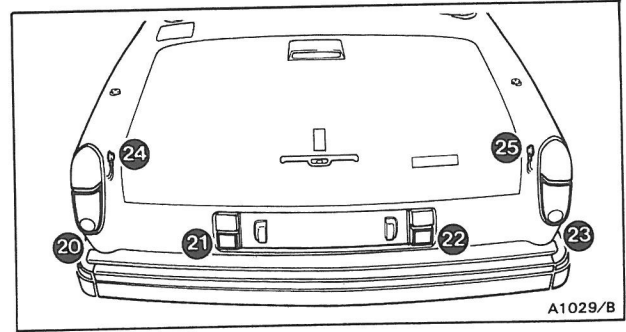
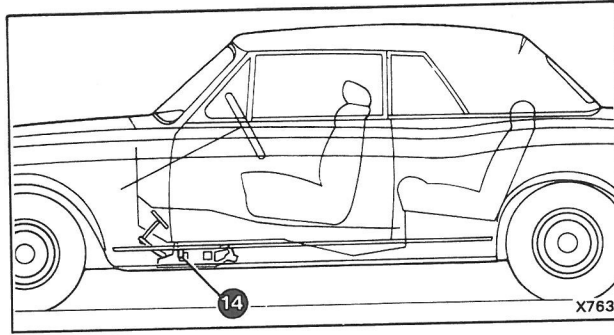
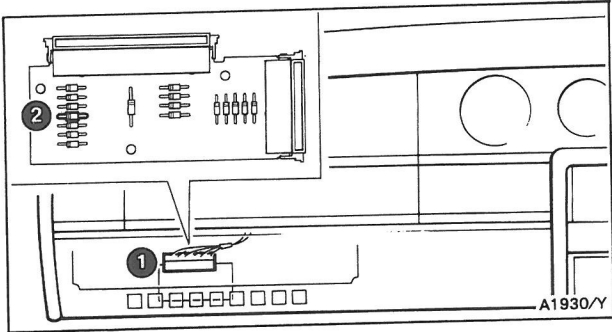
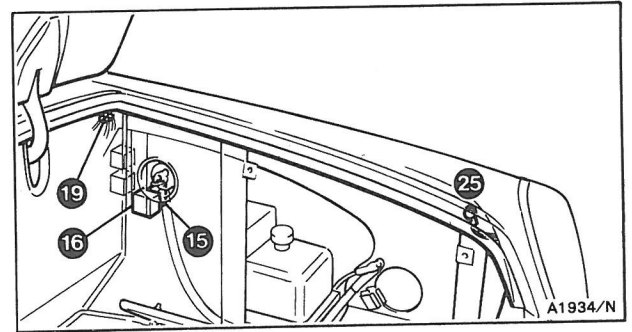
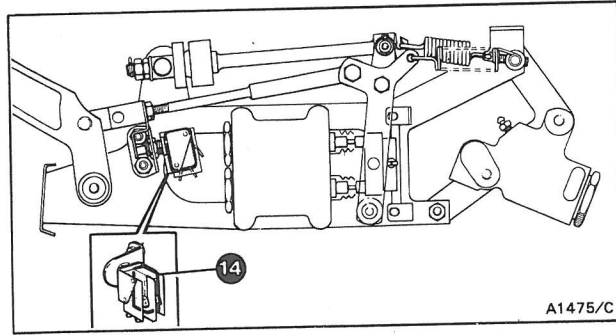
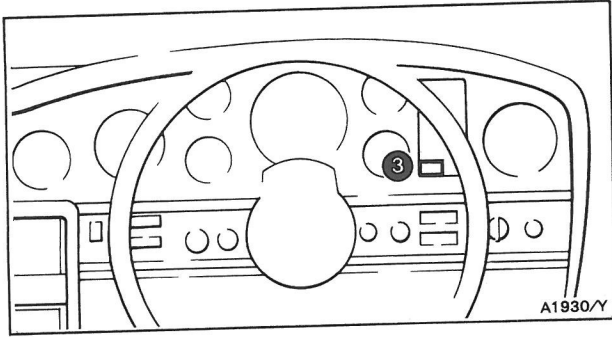
- 28 Splice G



- A** Continue at on the appropriate warning lamps test circuit (refer to Contents page)

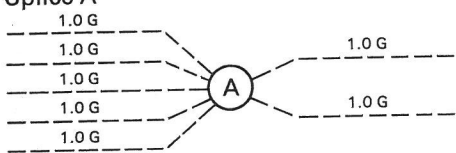
**Note** ——— Only applicable to cars conforming to a North American specification



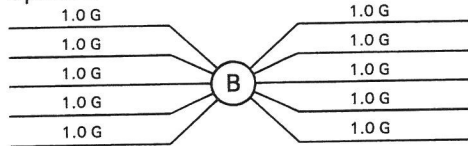


**Key to 20-25**

- 1 Diode board plug 18-way
- 2 Diode (diode board)
- 3 Stop lamp failure and brake pad wear warning lamp
- 4 Right-hand 'A' post main to body loom plug and socket 12-way
- 5 Right-hand body to valance loom connection for brake pad wear circuit (refer to page 9-7, item 16)
- 6 Splice A



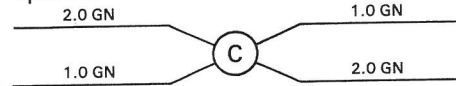
**7 Splice B**



**8 Left-hand main to valance loom plug and socket 7-way**

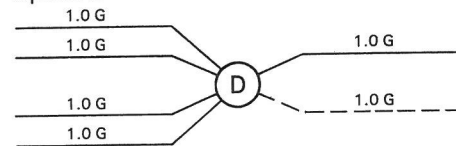
**9 Brake switch loom plug and socket**

**10 Splice C**

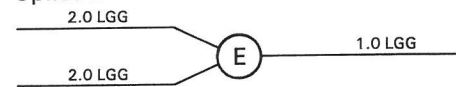


**11 Right-hand 'A' post main to body loom plug and socket 7-way**

**12 Splice D**



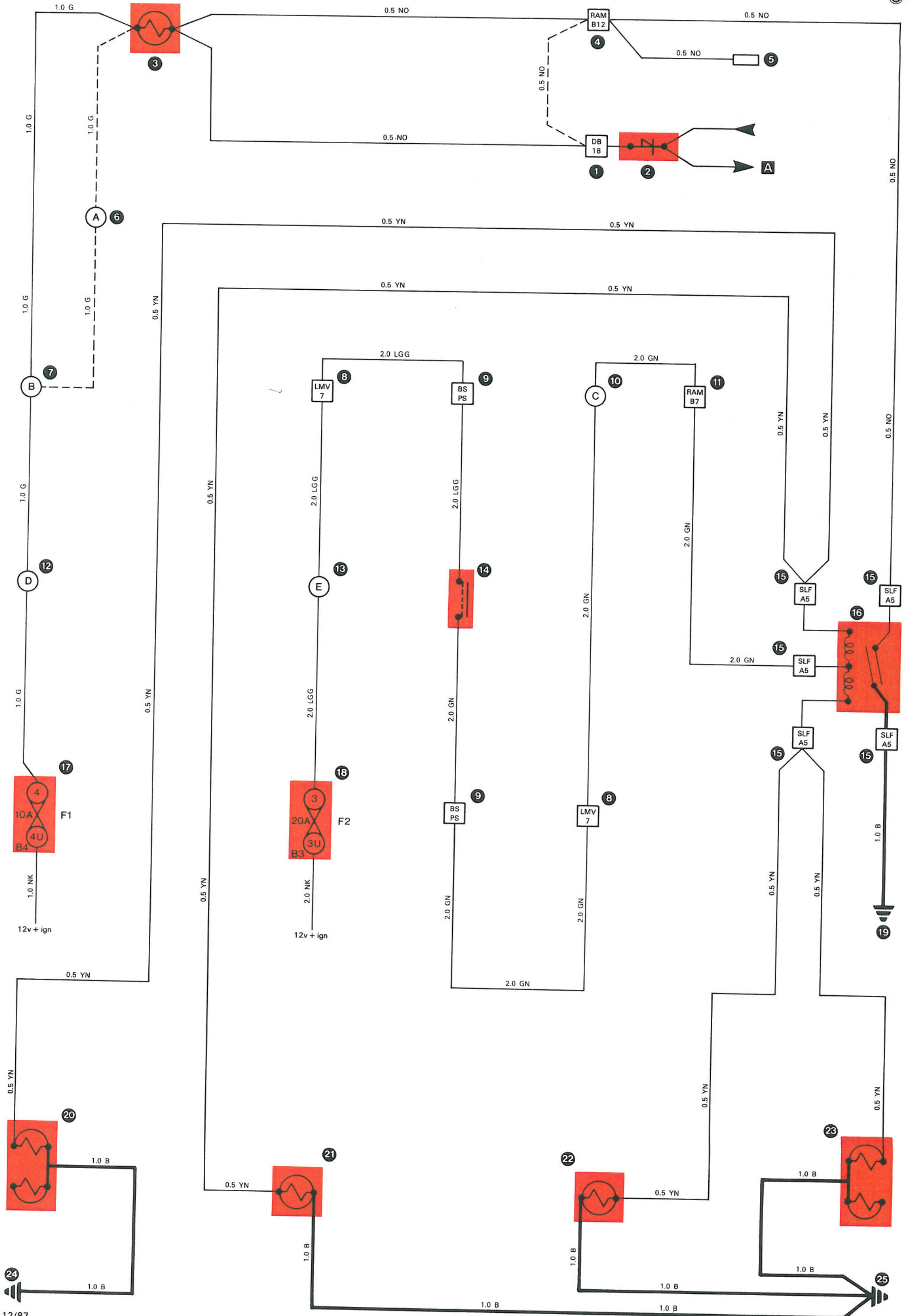
**13 Splice E**

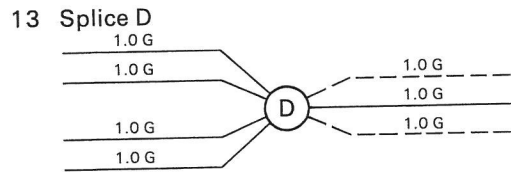
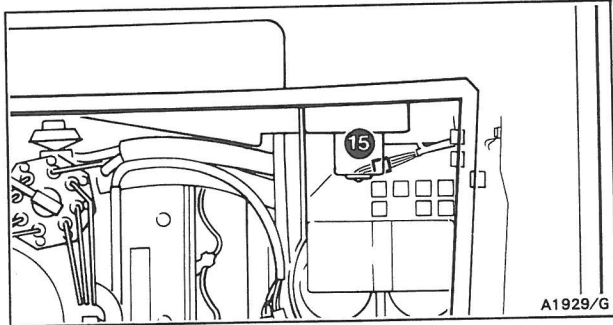
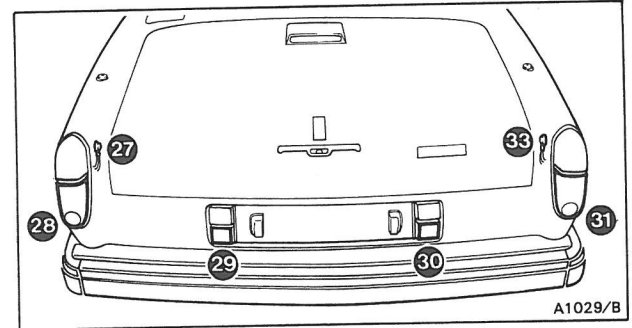
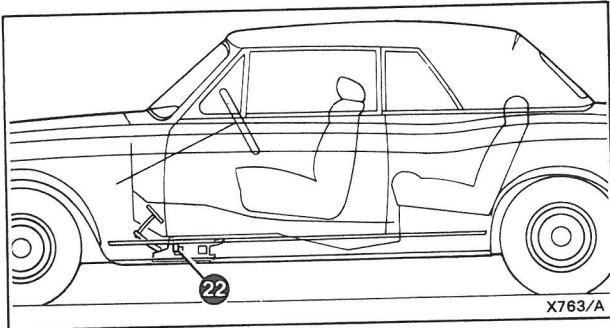
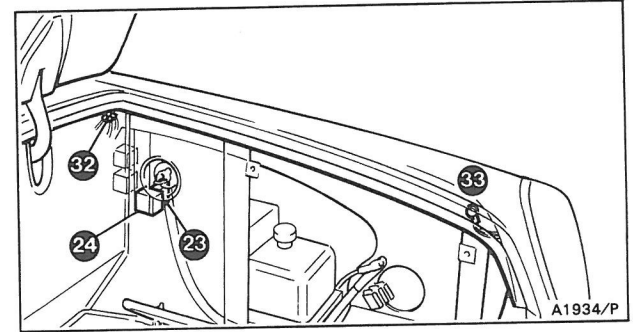
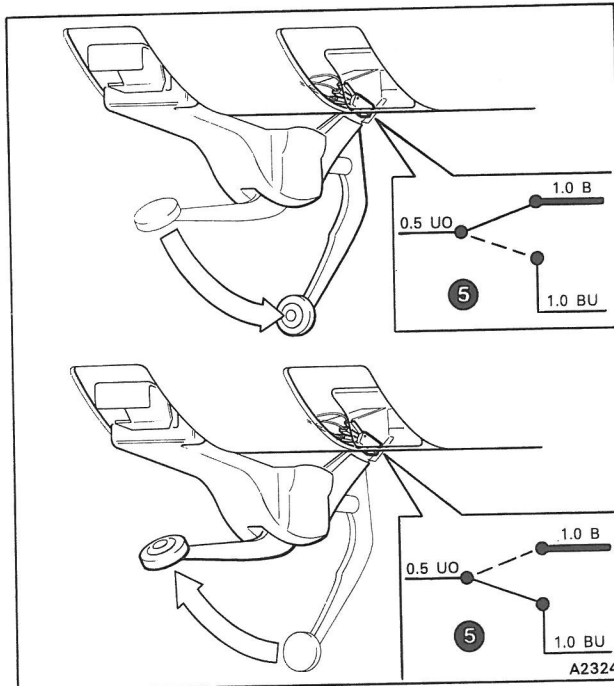
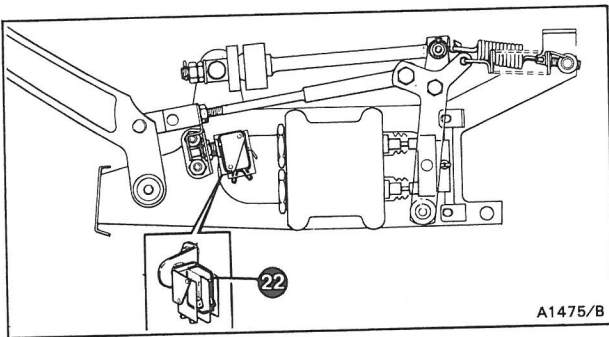
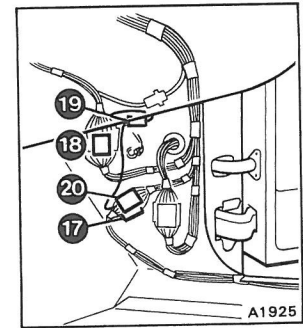
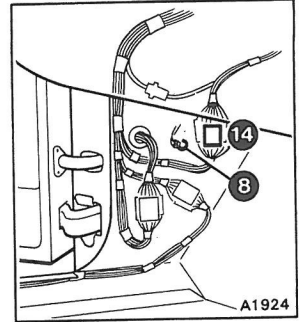
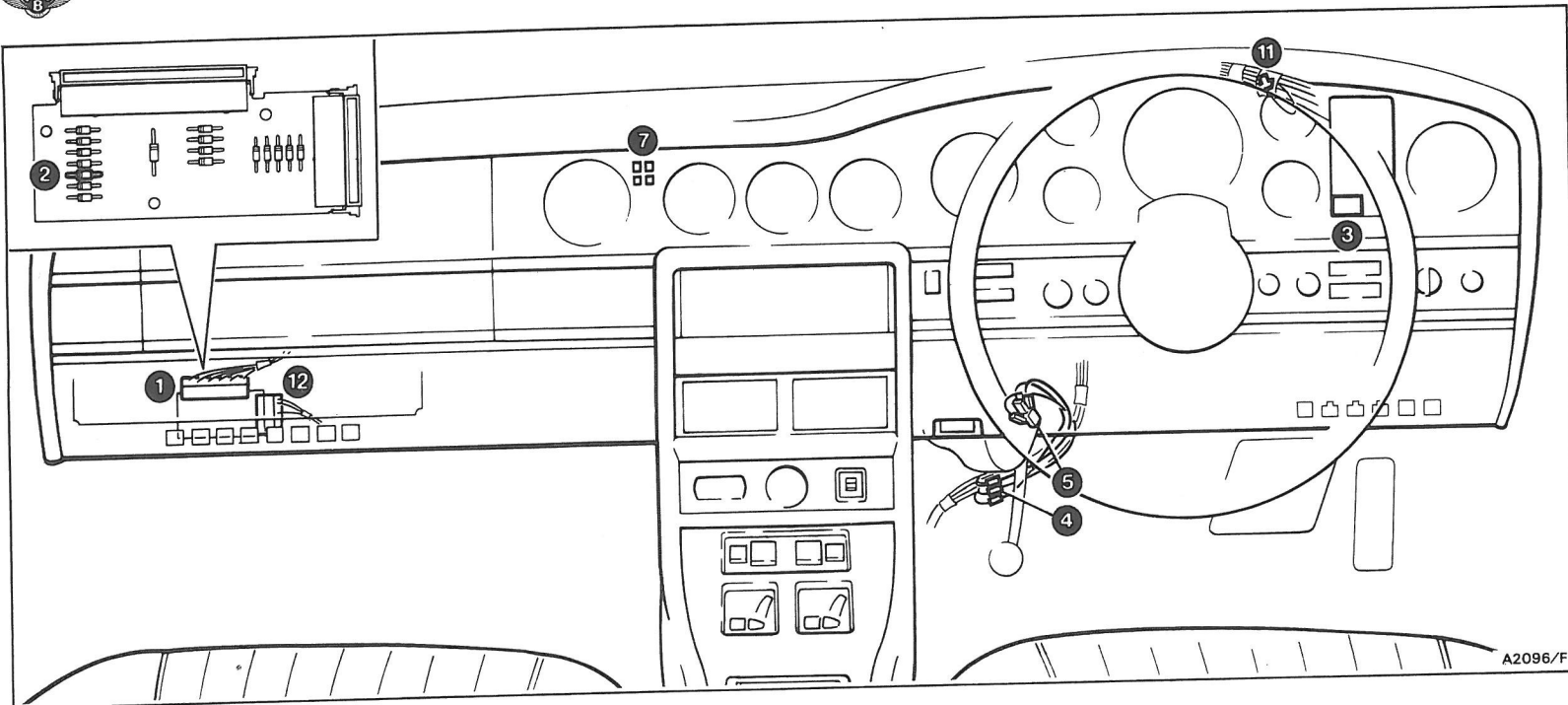


- 14 Stop lamps switch
- 15 Stop lamp failure amplifier plug
- 16 Stop lamp failure amplifier
- 17 Fuseboard F1, fuse B4, 10 Amp
- 18 Fuseboard F2, fuse B3, 20 Amp
- 19 Luggage compartment earth point – right-hand front
- 20 Left-hand stop lamp
- 21 Left-hand inner stop lamp (Cars conforming to a North American specification)
- 22 Right-hand inner stop lamp (Cars conforming to a North American specification)
- 23 Right-hand stop lamp
- 24 Luggage compartment earth point – left-hand rear

**25 Luggage compartment earth point – right-hand rear**

**A** Continue at on the appropriate warning lamps test circuit (refer to Contents page)





13 Splice D  
1.0 G  
1.0 G  
1.0 G  
1.0 G

14 Left-hand main to valance loom plug and socket 7-way

15 Brake switch loom plug and socket



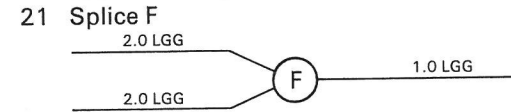
16 Splice E  
2.0 GN  
1.0 GN  
1.0 GN  
2.0 GN

17 Right-hand 'A' post main to body loom plug and socket 7-way

18 Right-hand main to valance loom plug and socket 12-way

19 Right-hand valance to body loom connection

20 Right-hand 'A' post main to body loom plug and socket 12-way



21 Splice F  
2.0 LGG  
2.0 LGG  
1.0 LGG

22 Stop lamps switch

23 Stop lamp failure amplifier plug

24 Stop lamp failure amplifier

25 Fuseboard F1, fuse B4, 10 Amp

26 Fuseboard F2, fuse B3, 20 Amp

27 Luggage compartment earth point – left-hand rear

28 Left-hand stop lamp

29 Left-hand inner stop lamp (Cars conforming to a North American specification)

30 Right-hand inner stop lamp (Cars conforming to a North American specification)

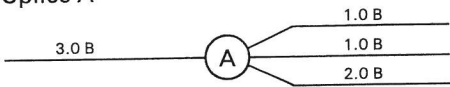
31 Right-hand stop lamp

32 Luggage compartment earth point – right-hand front

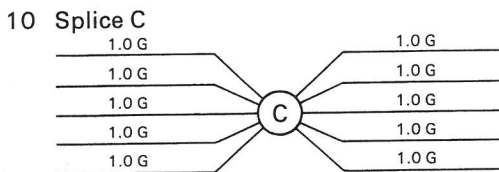
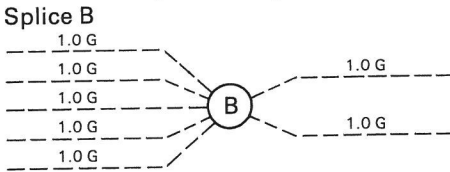
33 Luggage compartment earth point – right-hand rear

**Key to 20-27**

- 1 Diode board plug 18-way
- 2 Diode (diode board)
- 3 Stop lamp failure, brake pad wear, and parking brake warning lamp
- 4 Parking brake link to main loom connection
- 5 Parking brake switch
- 6 Splice A



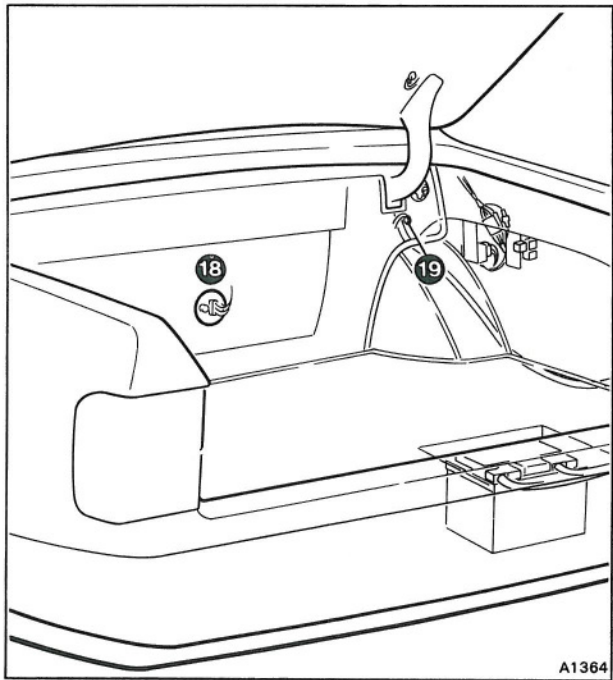
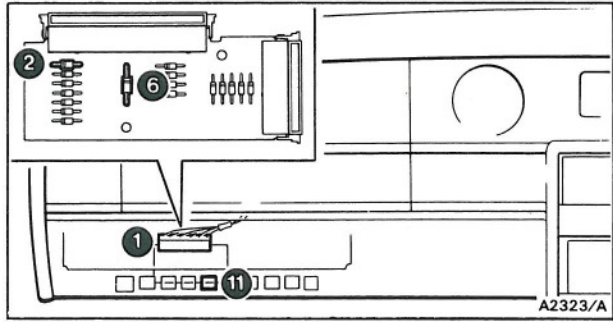
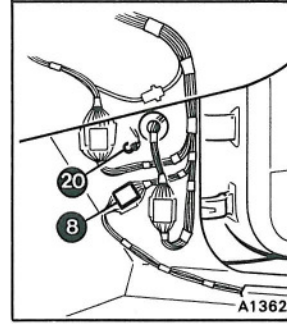
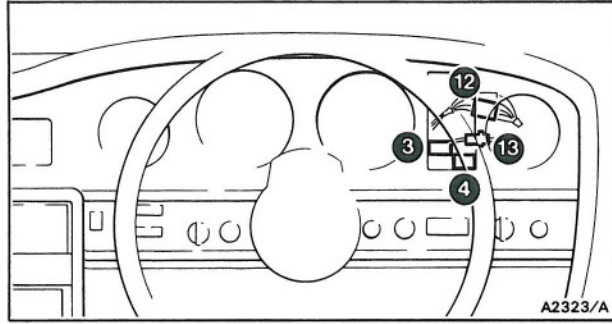
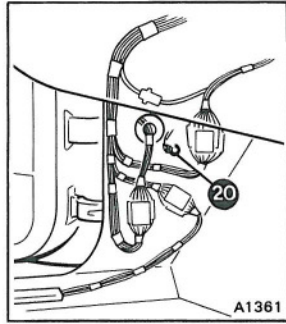
- 7 Instrument panel earth point
- 8 Left-hand 'A' post earth point
- 9 Splice B



- 11 Lampholder – bulb removed, lampholder taped into loom
- 12 Diode board plug 10-way

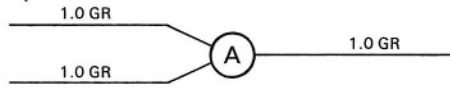
**A** Continue at on the appropriate warning lamps test circuit (refer to Contents page)



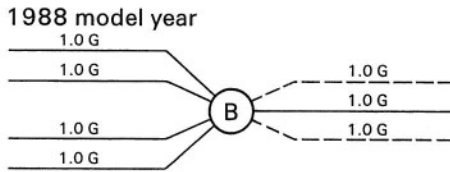
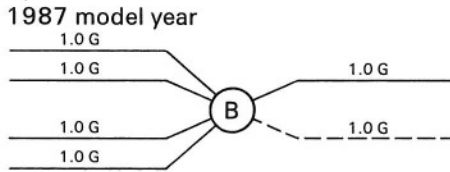


**Key to 20-28**

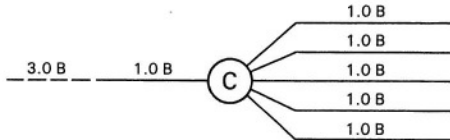
- 1 Diode board plug 18-way
- 2 Diode (diode board)
- 3 Ice warning lamp
- 4 Low fuel warning lamp
- 5 Splice A



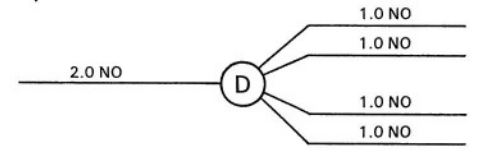
- 6 Diode (diode board)
- 7 Splice B



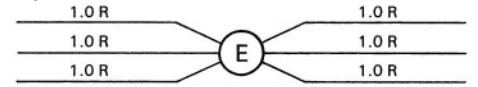
- 8 Right-hand 'A' post main to body loom plug and socket 12-way
- 9 Splice C



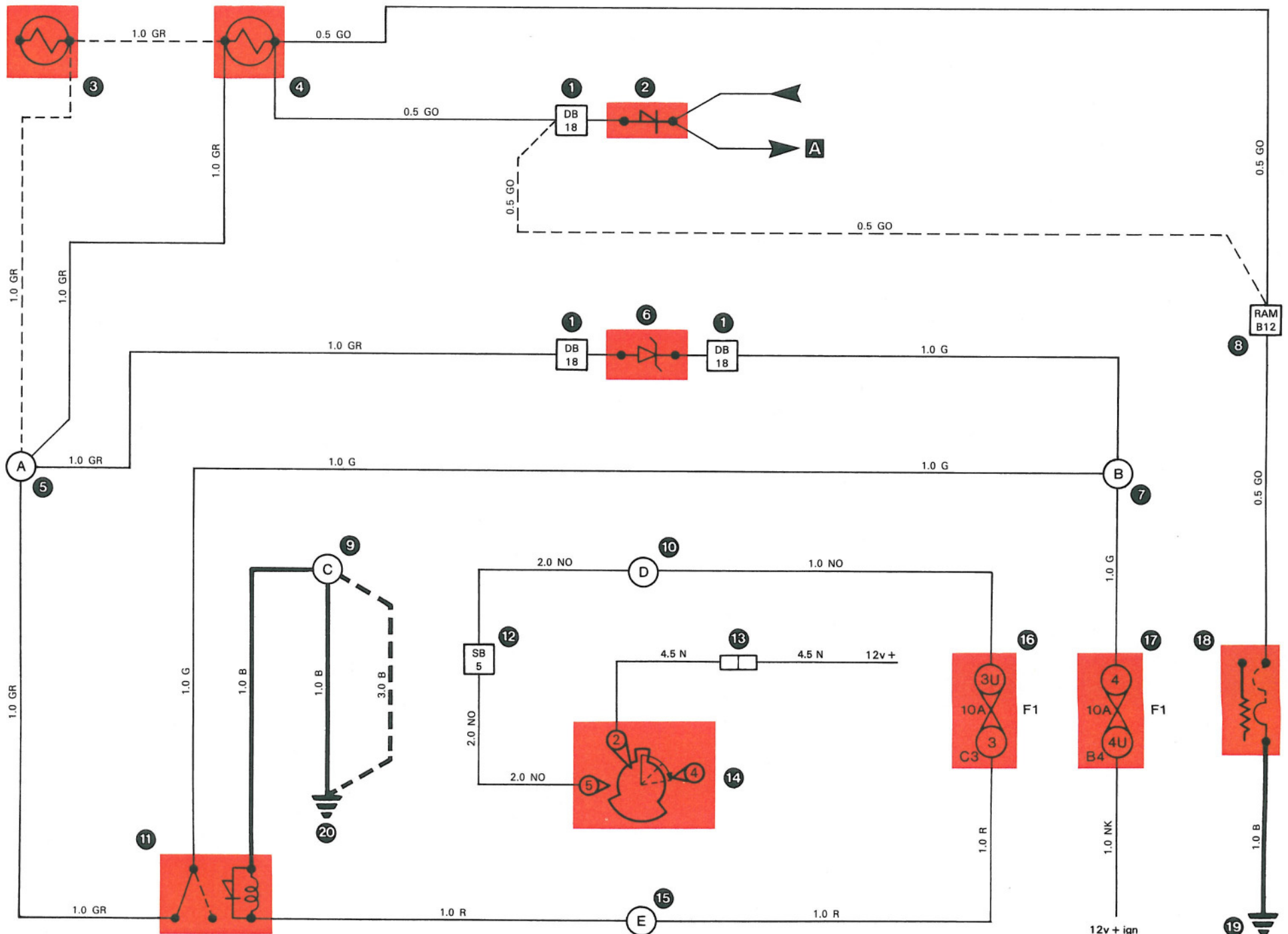
- 10 Splice D



- 11 Warning lamps dimming relay
- 12 Switchbox plug and socket 5-way
- 13 Switchbox connection 60 Amp
- 14 Lighting switch (switchbox)
- 15 Splice E



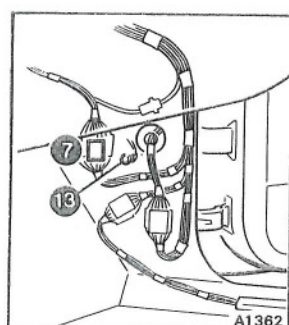
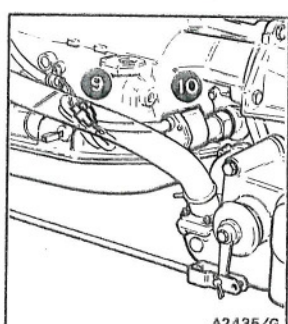
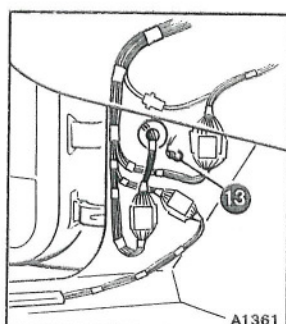
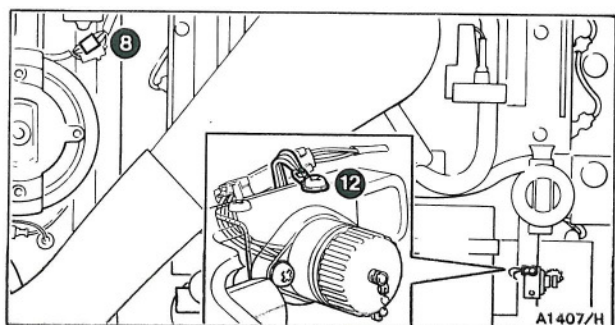
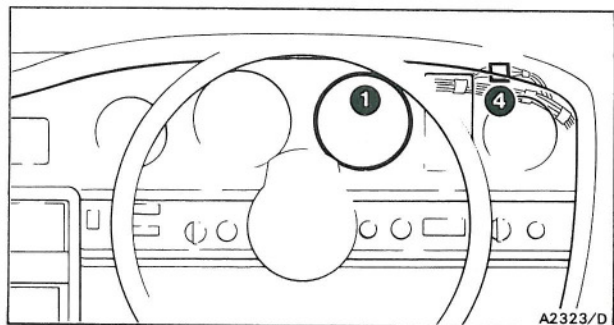
- 16 Fuseboard F1, fuse C3, 10 Amp
  - 17 Fuseboard F1, fuse B4, 10 Amp
  - 18 Fuel level transmitter
  - 19 Luggage compartment earth point - right-hand
  - 20 'A' post earth points
- A** Continue at on the appropriate warning lamps test circuit (refer to Contents page)





# Instruments

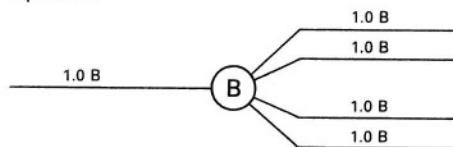
Contents	Specific application	Pages							
		Rolls-Royce Silver Spirit	Silver Spur	Corniche / Corniche II	Bentley Eight	Mulsanne	Mulsanne S	Turbo R	Continental
<b>Instruments</b>									
<b>Speedometer</b>									
Component location		20-30	20-30	20-30	20-30	20-30	20-30	20-30	20-30
Wiring diagram		20-30	20-30	20-30	20-30	20-30	20-30	20-30	20-30
<b>Four-in-one instrument</b>									
Component location		20-31	20-31	—	20-31	20-31	—	—	—
Wiring diagram		20-31	20-31	—	20-31	20-31	—	—	—
<b>Engine coolant temperature gauge, engine oil pressure gauge, fuel/oil level gauge, and battery condition indicator</b>									
Component location		—	—	20-34	—	—	20-32	20-32	20-34
Wiring diagram		—	—	20-35	—	—	20-33	20-33	20-35
<b>Digital clock and digital outside air temperature gauge</b>									
Component location		20-36	20-36	—	—	20-36	—	—	—
Wiring diagram		20-37	20-37	—	—	20-37	—	—	—
<b>Analogue clock and analogue outside air temperature gauge</b>									
Component location		—	—	—	20-39	—	20-38	20-38	—
Wiring diagram		—	—	—	20-39	—	20-38	20-38	—
<b>Digital clock, digital outside air temperature gauge, and elapsed time indicator</b>									
Component location		—	—	20-40	—	—	—	—	20-40
Wiring diagram		—	—	20-41	—	—	—	—	20-41
<b>Tachometer</b>									
Component location		—	—	—	—	—	20-42	20-43	—
Wiring diagram		—	—	—	—	—	20-42	20-43	—



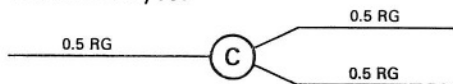
**Key to 20-30**

- 1 Speedometer
  - 2 Fuseboard F1, fuse B3, 10 Amp
  - 3 Splice A
- 1988 model year left-hand drive cars
- 

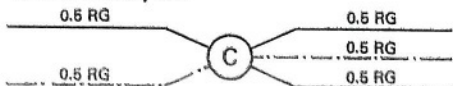
- 4 'Other than Europe' plug and socket
- 5 Splice B



- 6 Splice C
- 1987 model year

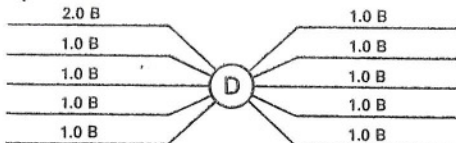


- 1988 model year



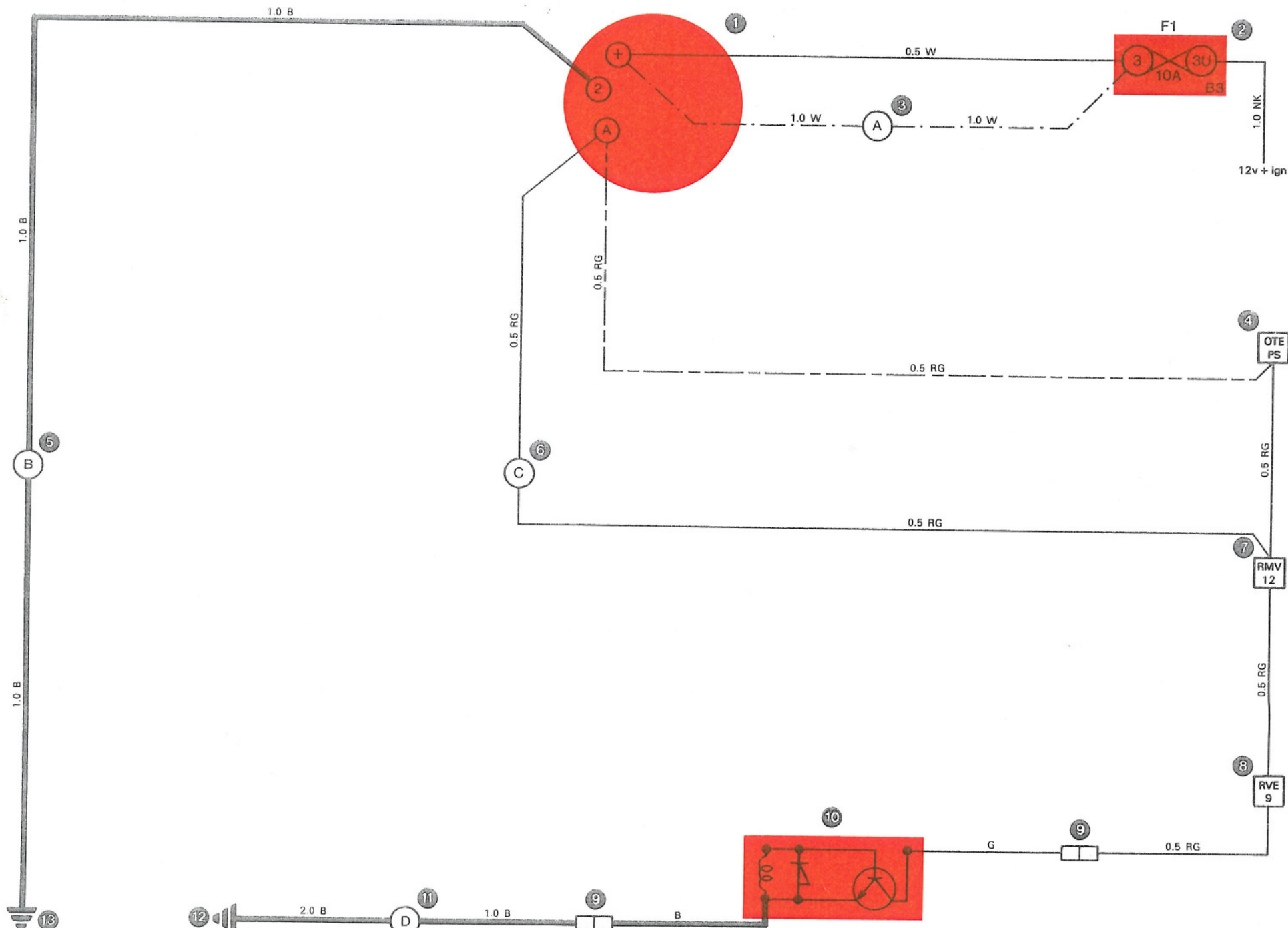
- 7 Right-hand main to valance loom plug and socket 12-way
- 8 Right-hand valance to engine loom plug and socket 9-way
- 9 Speed signal generator connection
- 10 Speed signal generator

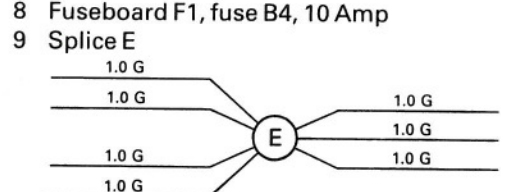
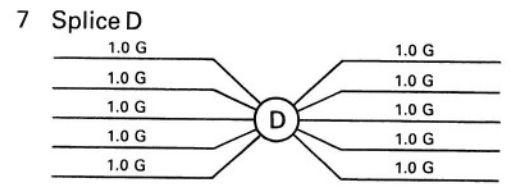
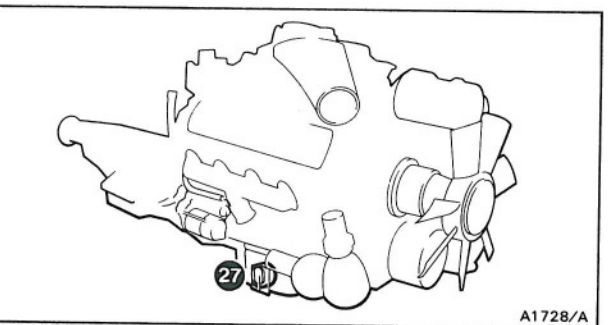
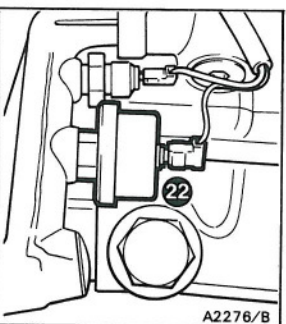
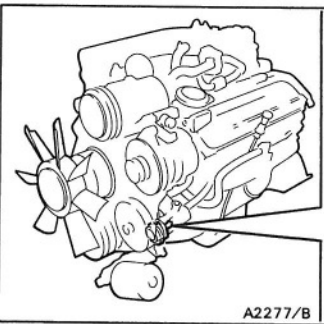
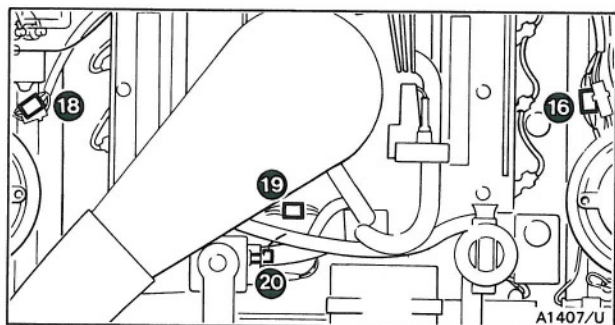
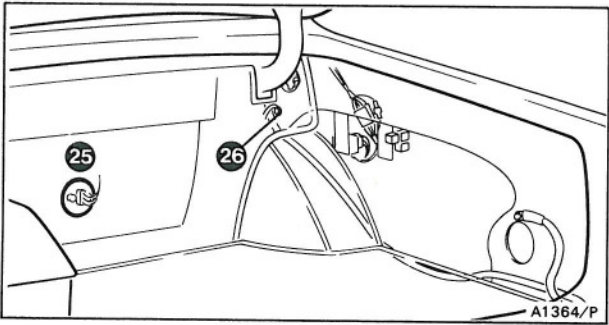
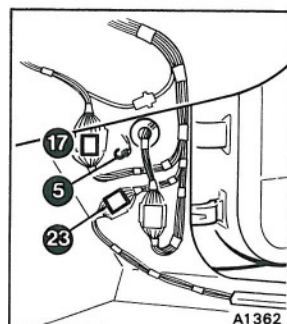
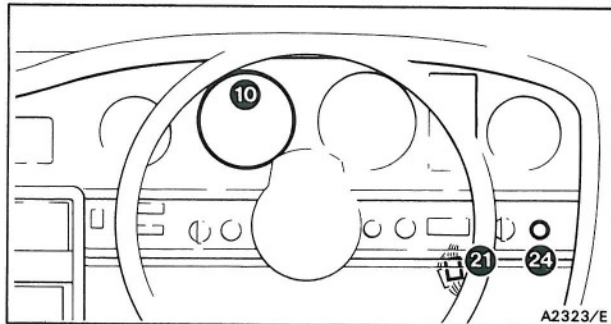
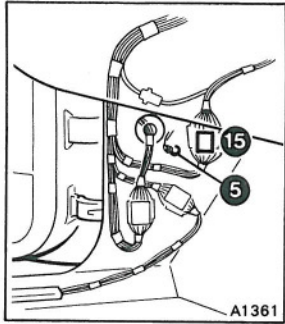
- 11 Splice D



- 12 Engine earth point
- 13 'A' post earth points

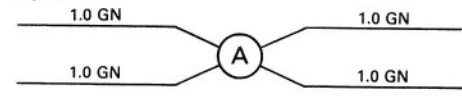
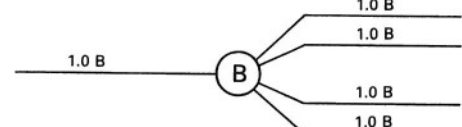
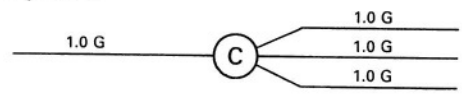
**Note** — — — Alternative cable route on left-hand drive 1987 model year cars  
 - - - Alternative cable route on left-hand drive 1988 model year cars

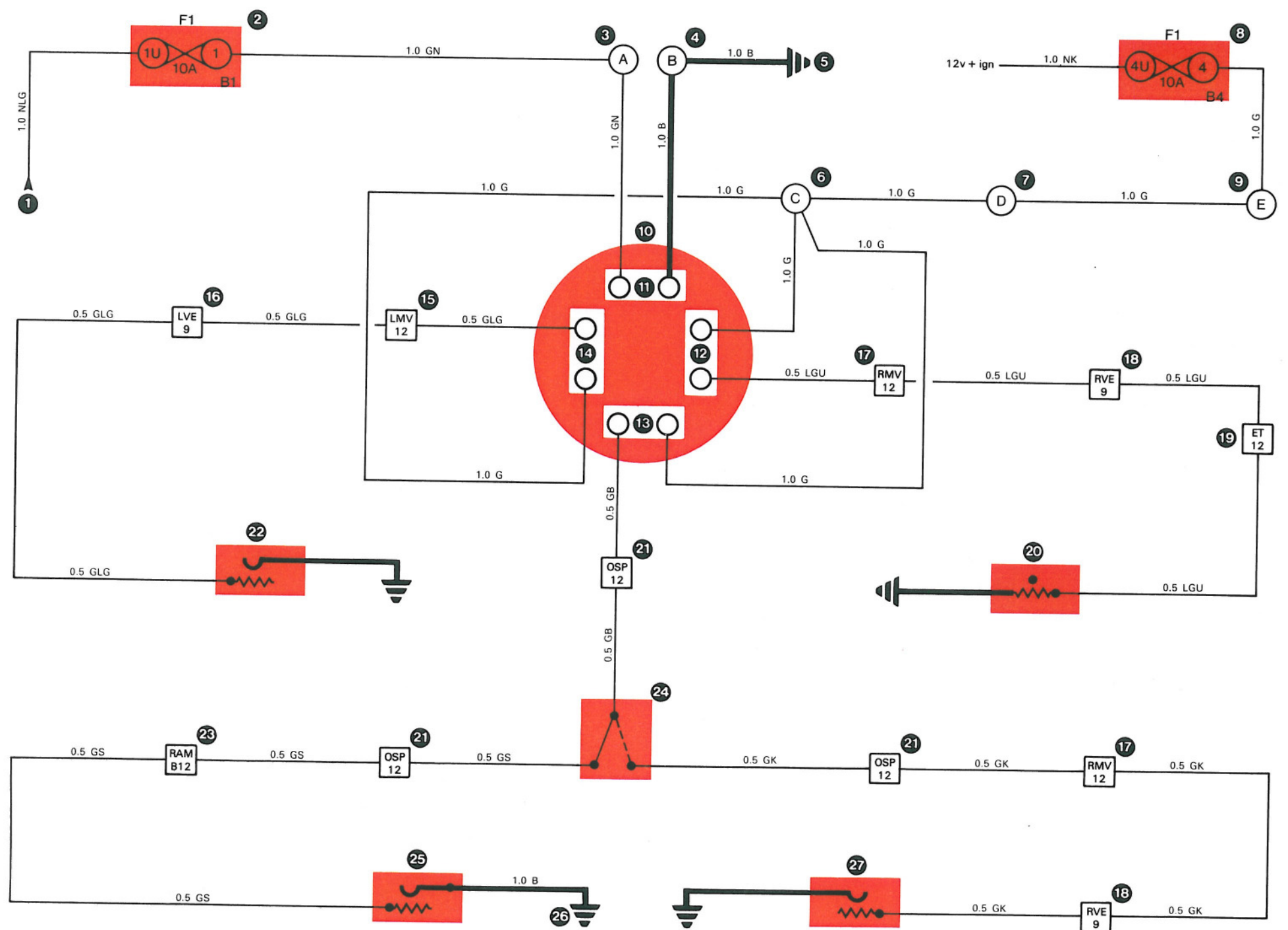


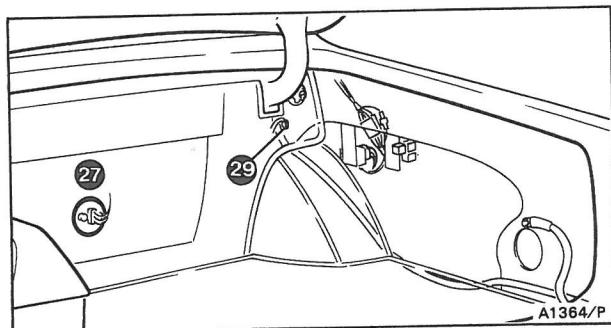
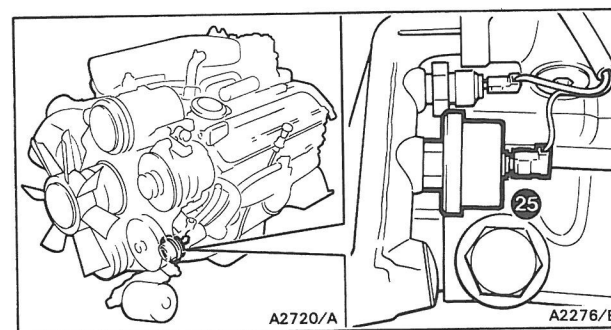
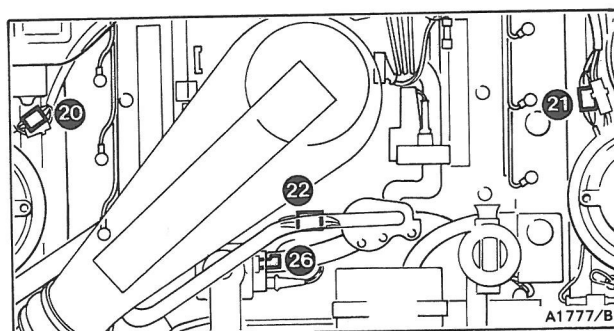
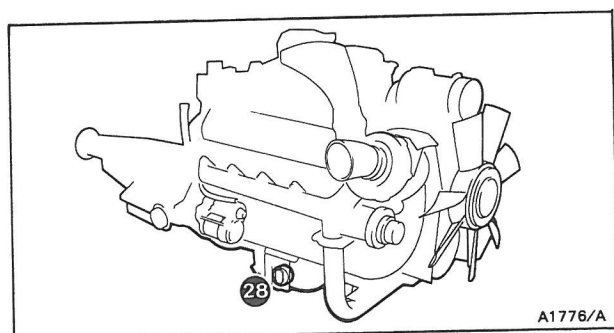
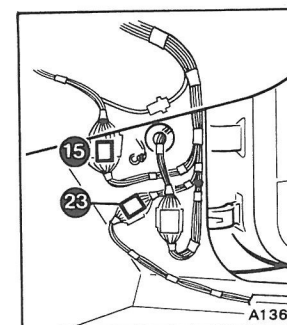
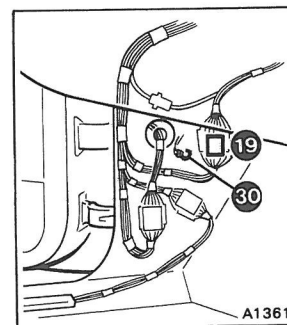
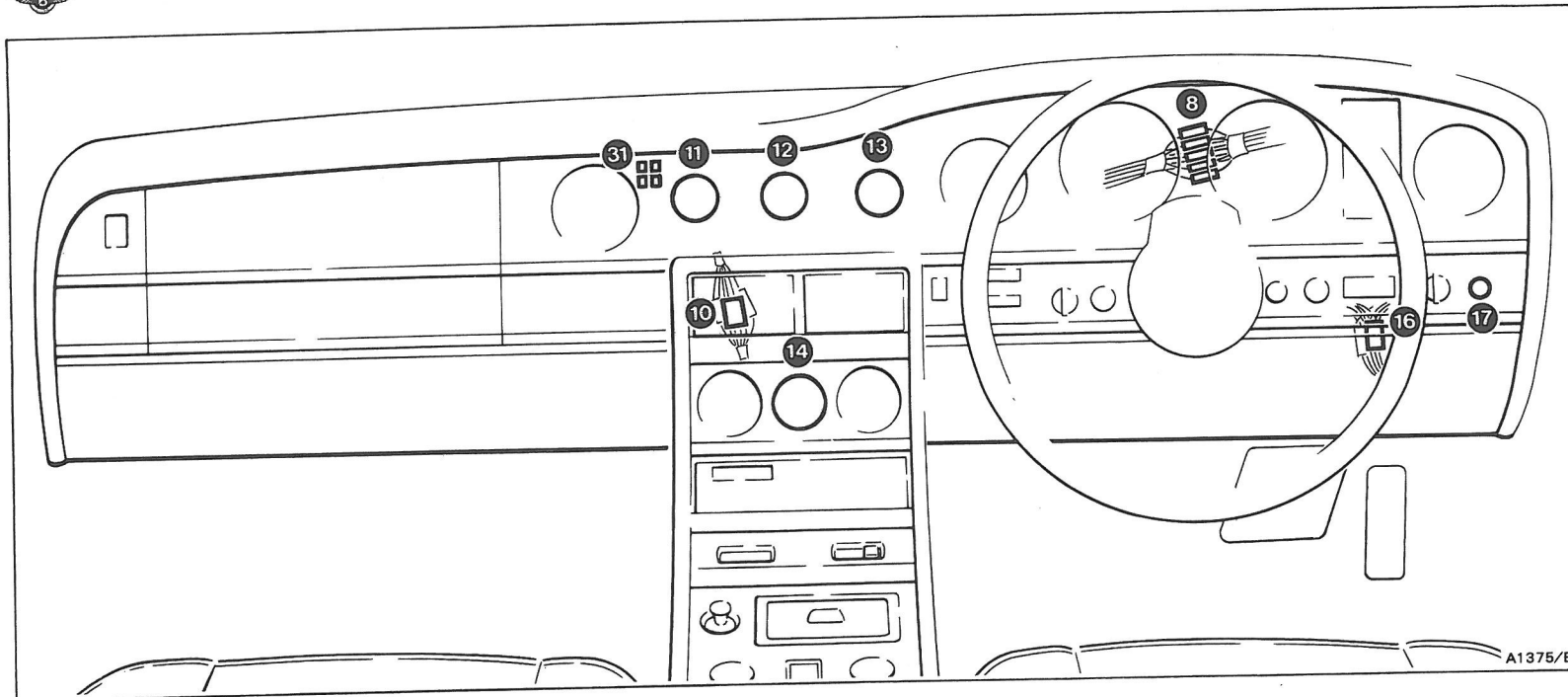


- 10 Four-in-one instrument
- 11 Battery condition indicator
- 12 Coolant temperature gauge
- 13 Fuel/oil level gauge
- 14 Oil pressure gauge
- 15 Left-hand main to valance loom plug and socket 12-way
- 16 Left-hand valance to engine loom plug and socket 9-way
- 17 Right-hand main to valance loom plug and socket 12-way
- 18 Right-hand valance to engine loom plug and socket 9-way
- 19 Engine loom to thermostat loom plug and socket 12-way
- 20 Coolant temperature transmitter
- 21 Outer switch panel plug and socket 12-way
- 22 Oil pressure transmitter
- 23 Right-hand 'A' post main to body loom plug and socket 12-way
- 24 Fuel/oil level changeover switch
- 25 Fuel level transmitter
- 26 Luggage compartment earth point – right-hand
- 27 Oil level transmitter

**Key to 20-31**

- 1 12 volts positive supply when ignition switch is in the ACC or RUN position
- 2 Fuseboard F1, fuse B4, 10 Amp
- 3 Splice A
 
- 4 Splice B
 
- 5 'A' post earth points
- 6 Splice C
 

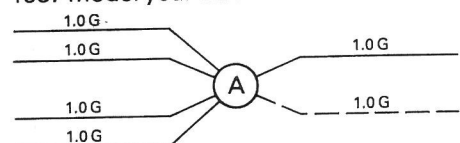




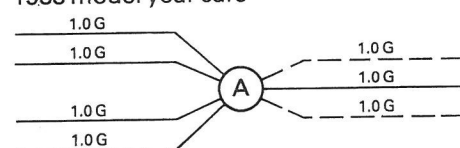
**Key to 20-33**

**1 Splice A**

1987 model year cars

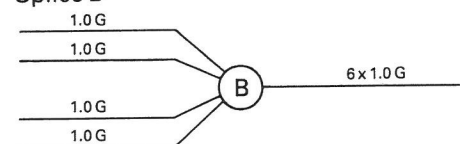


1988 model year cars



**2 Fuseboard F1, fuse B4, 10 Amp**

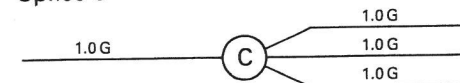
**3 Splice B**



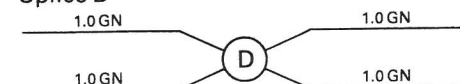
**4 12 volts positive supply when ignition switch is in the ACC or RUN position**

**5 Fuseboard F1, fuse B1, 10 Amp**

**6 Splice C**

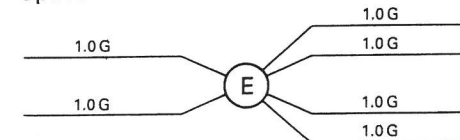


**7 Splice D**



**8 Main loom to instrument loom connector**

**9 Splice E**



**12 Coolant temperature gauge**

**13 Fuel/oil level gauge**

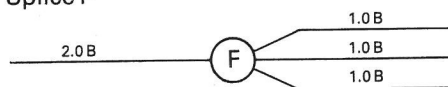
**14 Battery condition indicator**

**15 Right-hand main to valance loom plug and socket 12-way**

**16 Outer switch panel plug and socket 12-way**

**17 Fuel/oil level changeover switch**

**18 Splice F**



**19 Left-hand main to valance loom plug and socket 12-way**

**20 Right-hand valance to engine loom plug and socket 9-way**

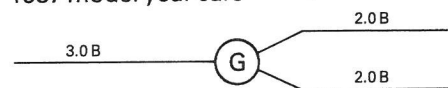
**21 Left-hand valance to engine loom plug and socket 9-way**

**22 Engine loom to thermostat loom plug and socket 12-way**

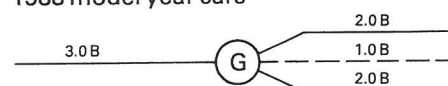
**23 Right-hand 'A' post main to body loom plug and socket 12-way**

**24 Splice G**

1987 model year cars



1988 model year cars



**25 Oil pressure transmitter**

**26 Coolant temperature transmitter**

**27 Fuel level transmitter**

**28 Oil level transmitter**

**29 Luggage compartment earth point – right-hand**

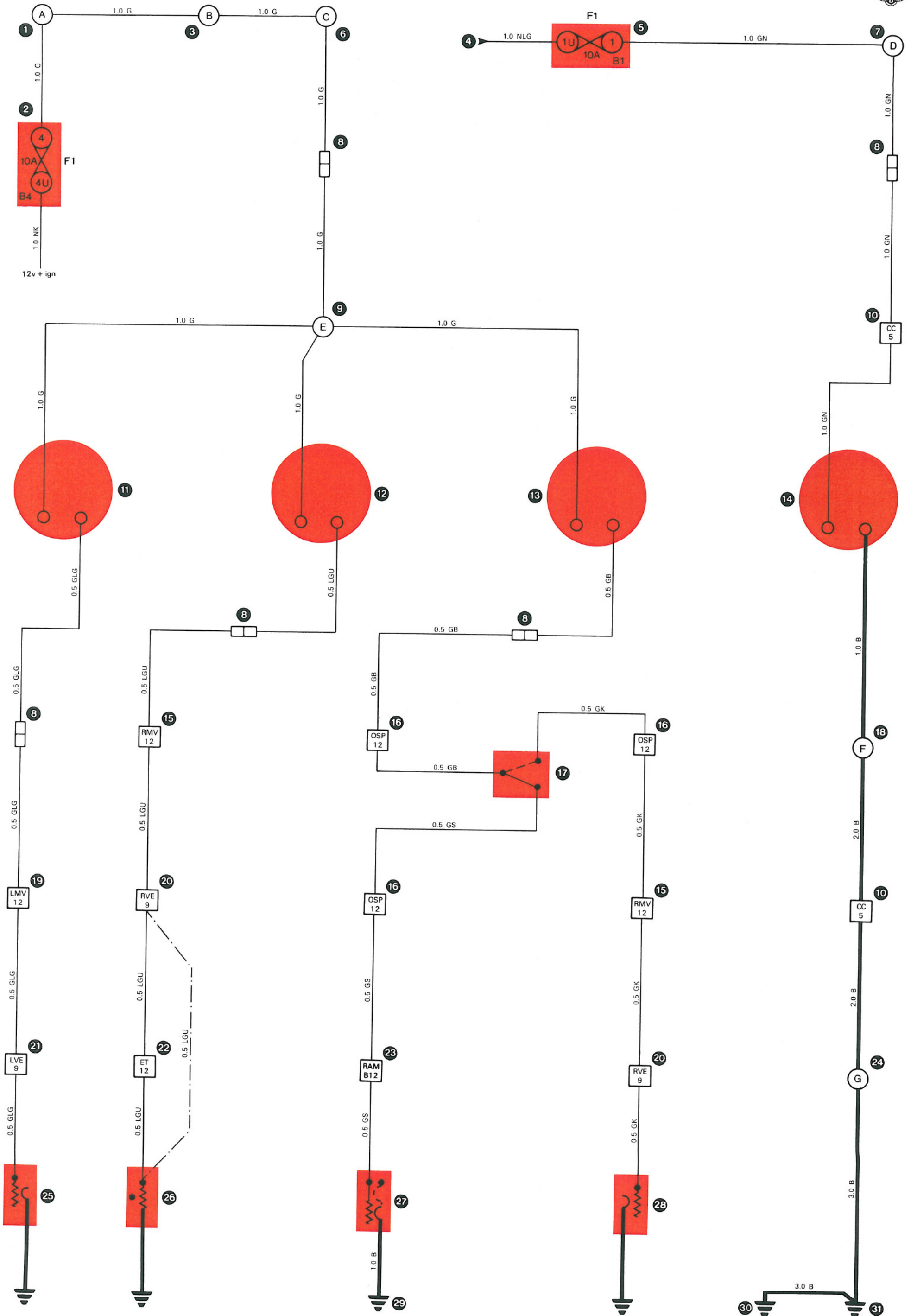
**30 Left-hand 'A' post earth point**

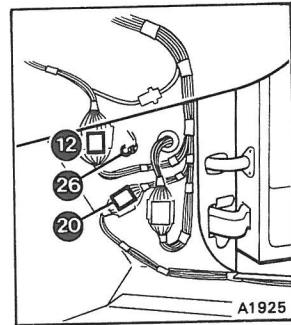
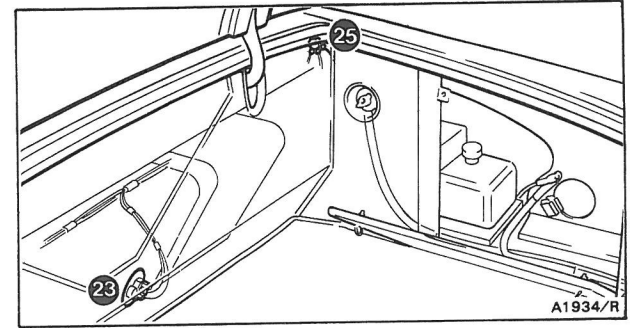
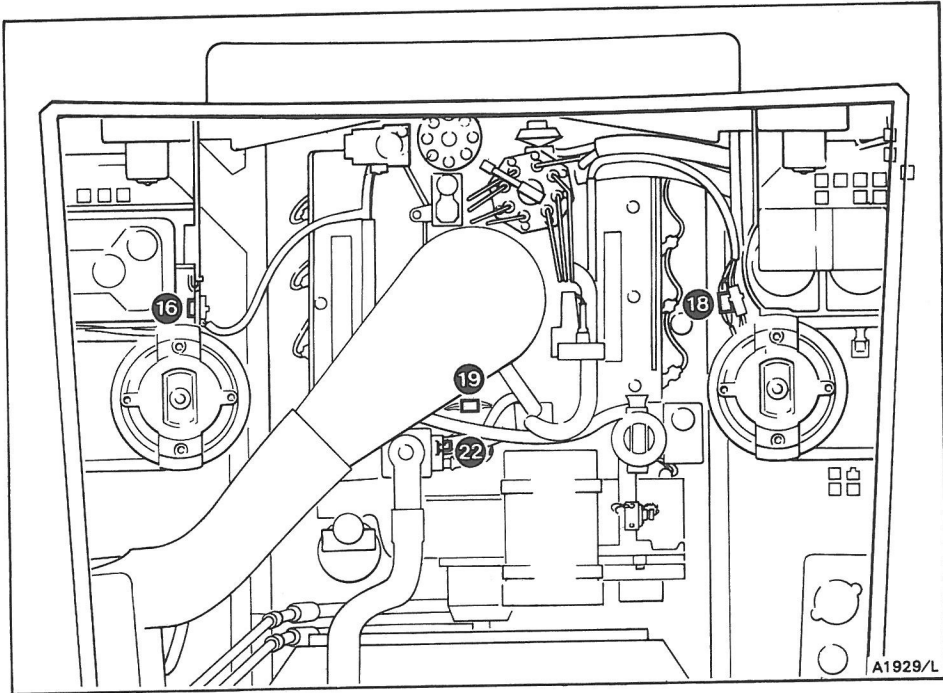
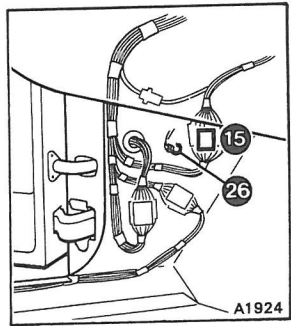
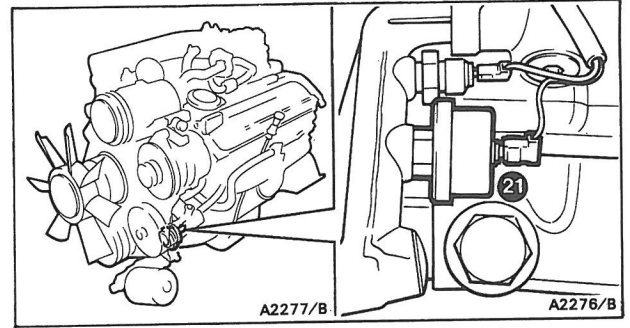
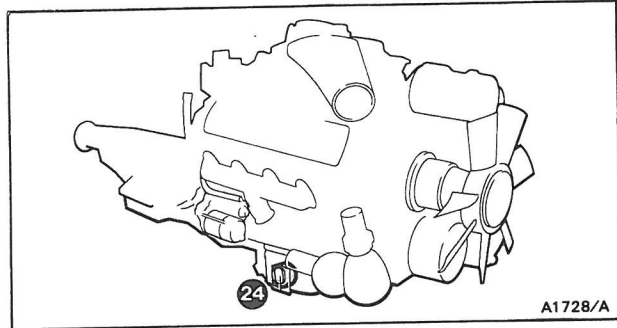
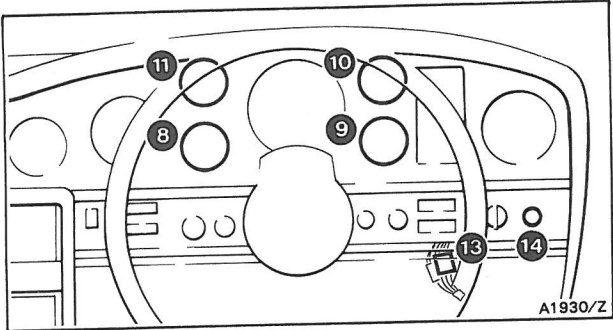
**31 Instrument panel earth point**

**Note** — — — Alternative cable route on Turbocharged cars

**10 Centre console plug and socket 5-way**

**11 Oil pressure gauge**

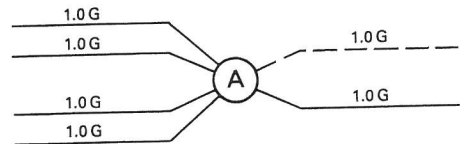




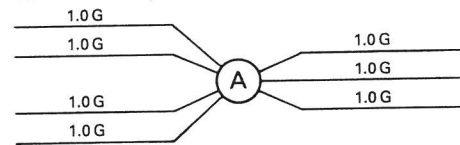
**Key to 20-35**

**1 Splice A**

1987 model year cars

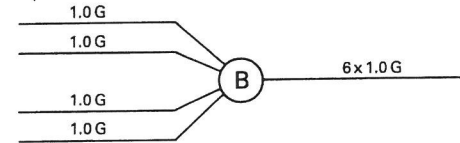


1988 model year cars



**2 Fuseboard F1, fuse B4, 10 Amp**

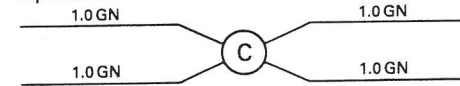
**3 Splice B**



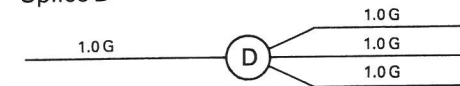
**4 12 volts positive supply when ignition switch is in the ACC or RUN position**

**5 Fuseboard F1, fuse B1, 10 Amp**

**6 Splice C**



**7 Splice D**



**8 Oil pressure gauge**

**9 Coolant temperature gauge**

**10 Fuel/oil level gauge**

**11 Battery condition indicator**

**12 Right-hand main to valance loom plug and socket 12-way**

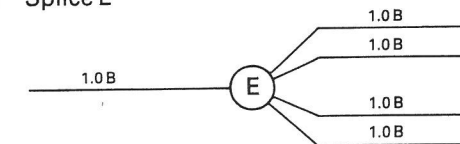
**13 Outer switch panel plug and socket 12-way**

**14 Fuel/oil level changeover switch**

**15 Left-hand main to valance loom plug and socket 12-way**

**16 Right-hand valance to engine loom plug and socket 9-way**

**17 Splice E**



**18 Left-hand valance to engine loom plug and socket 9-way**

**19 Engine loom to thermostat loom plug and socket 12-way**

**20 Right-hand 'A' post main to body loom plug and socket 12-way**

**21 Oil pressure transmitter**

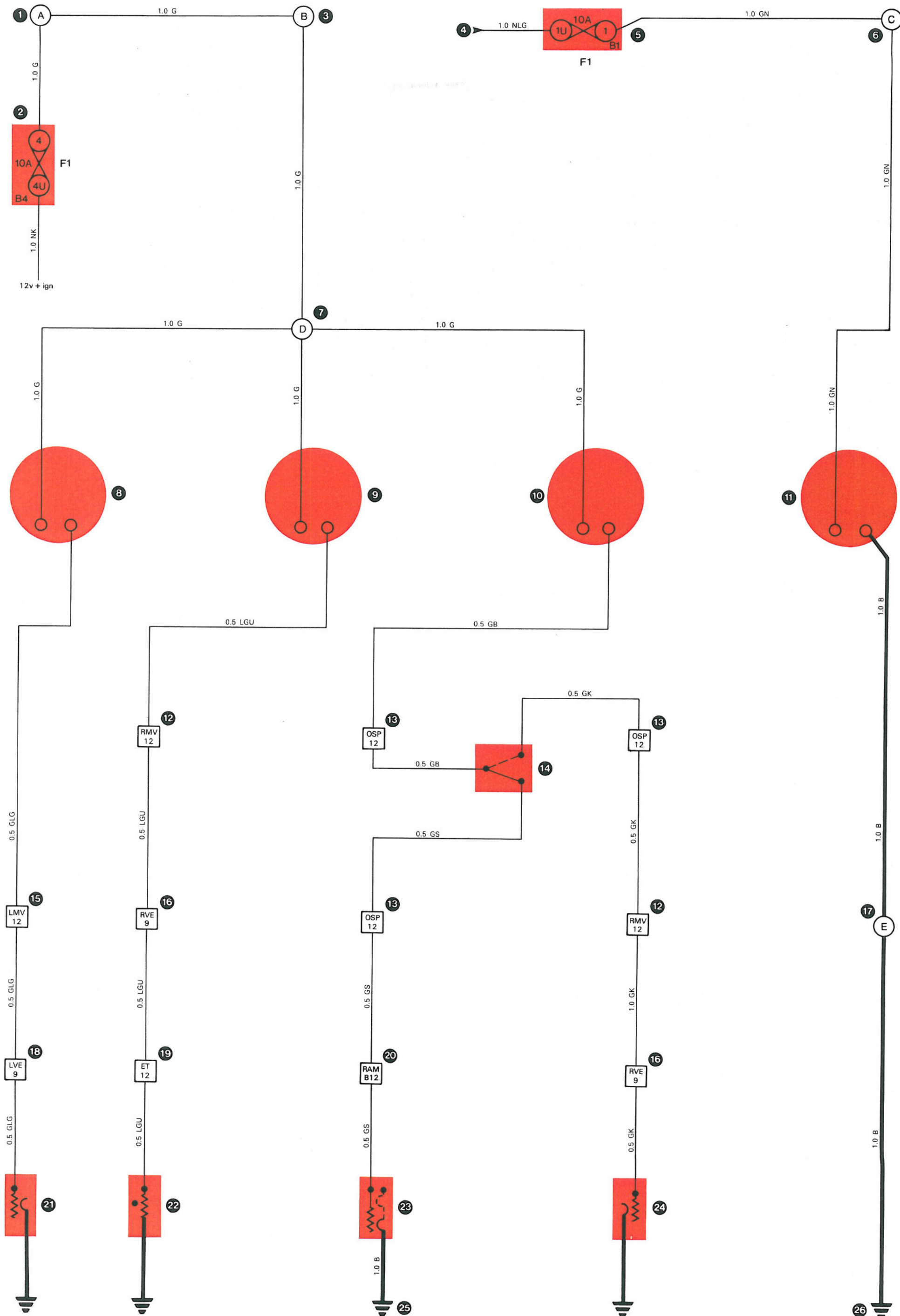
**22 Coolant temperature transmitter**

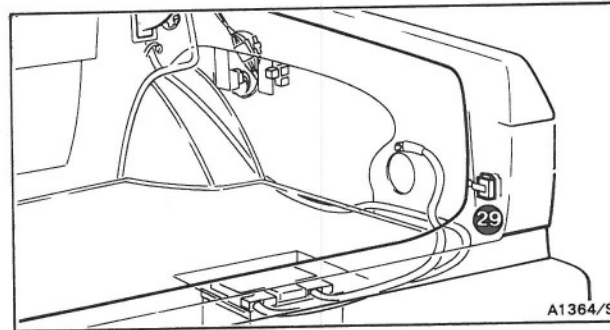
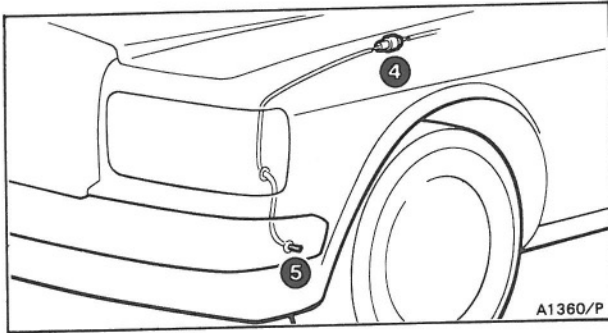
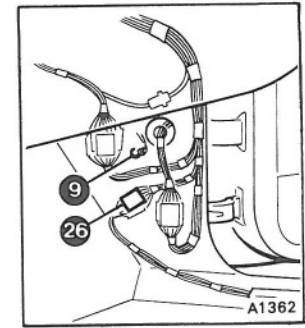
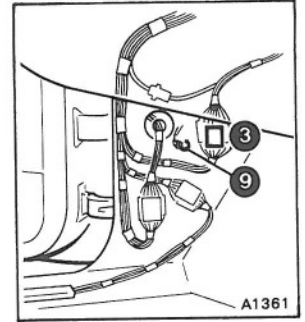
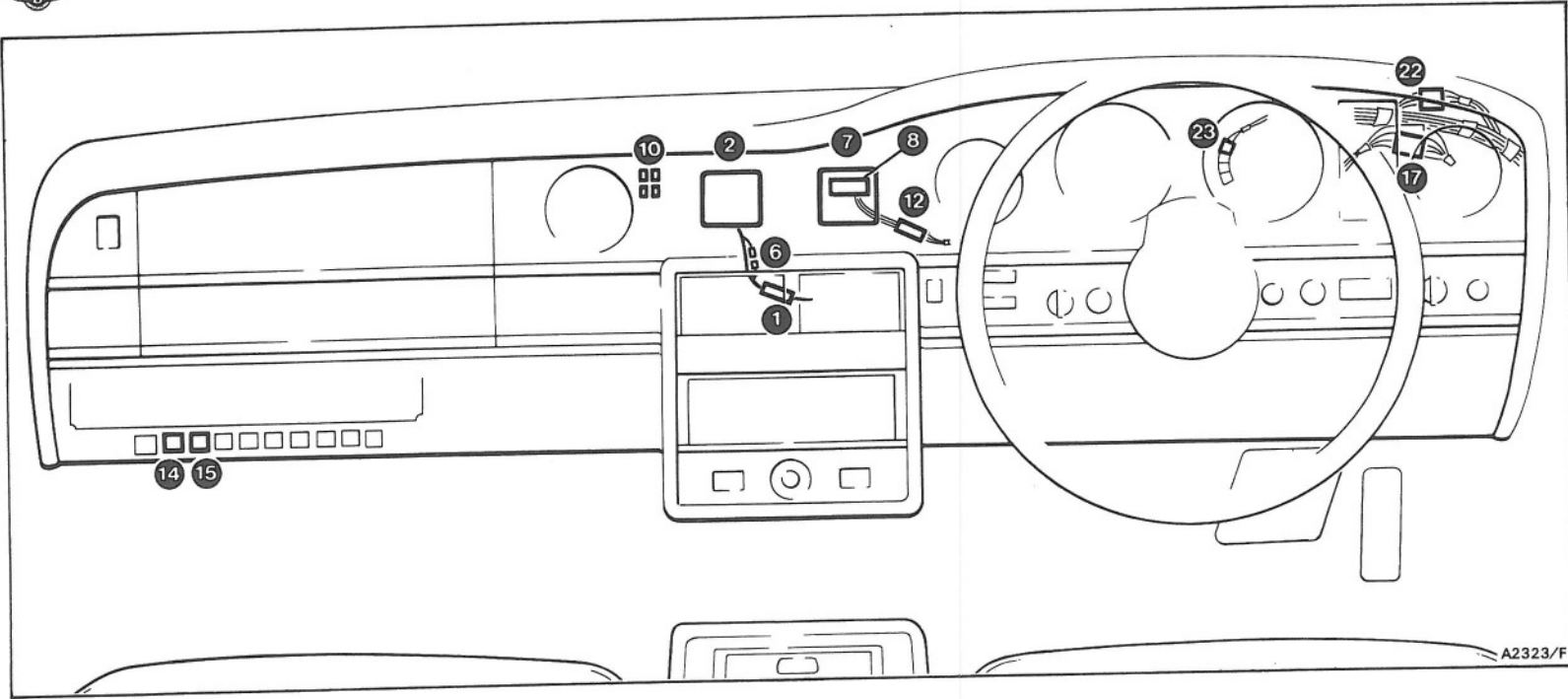
**23 Fuel level transmitter**

**24 Oil level transmitter**

**25 Luggage compartment earth point – right-hand front**

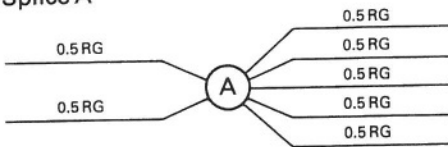
**26 'A' post earth points**



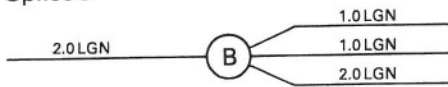


**Key to 20-37**

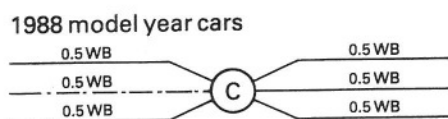
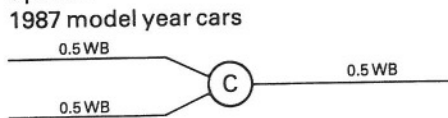
- 1 Outside air temperature gauge plug and socket
- 2 Outside air temperature gauge
- 3 Left-hand main to valance loom plug and socket 12-way
- 4 Outside air temperature gauge sensor plug and socket
- 5 Outside air temperature gauge sensor
- 6 Outside air temperature gauge connections (connect together to give degrees Fahrenheit main priority)
- 7 Digital clock
- 8 Digital clock plug
- 9 'A' post earth points
- 10 Instrument panel earth point
- 11 Splice A



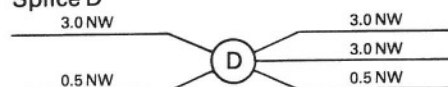
- 12 Main to digital clock link loom plug and socket 4-way
- 13 Splice B



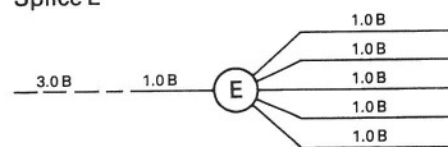
- 14 Cranking interlock relay
- 15 Radio/cassette unit relay
- 16 Splice C



- 17 Switchbox plug and socket 18-way
- 18 Splice D

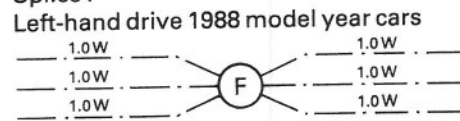


- 19 Starter switch (switchbox)
- 20 Splice E

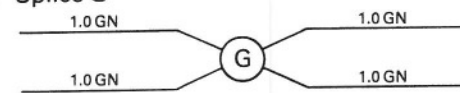


- 21 Lighting switch (switchbox)
- 22 'Other than Europe' plug and socket
- 23 Speedometer connection - positive

- 24 Splice F

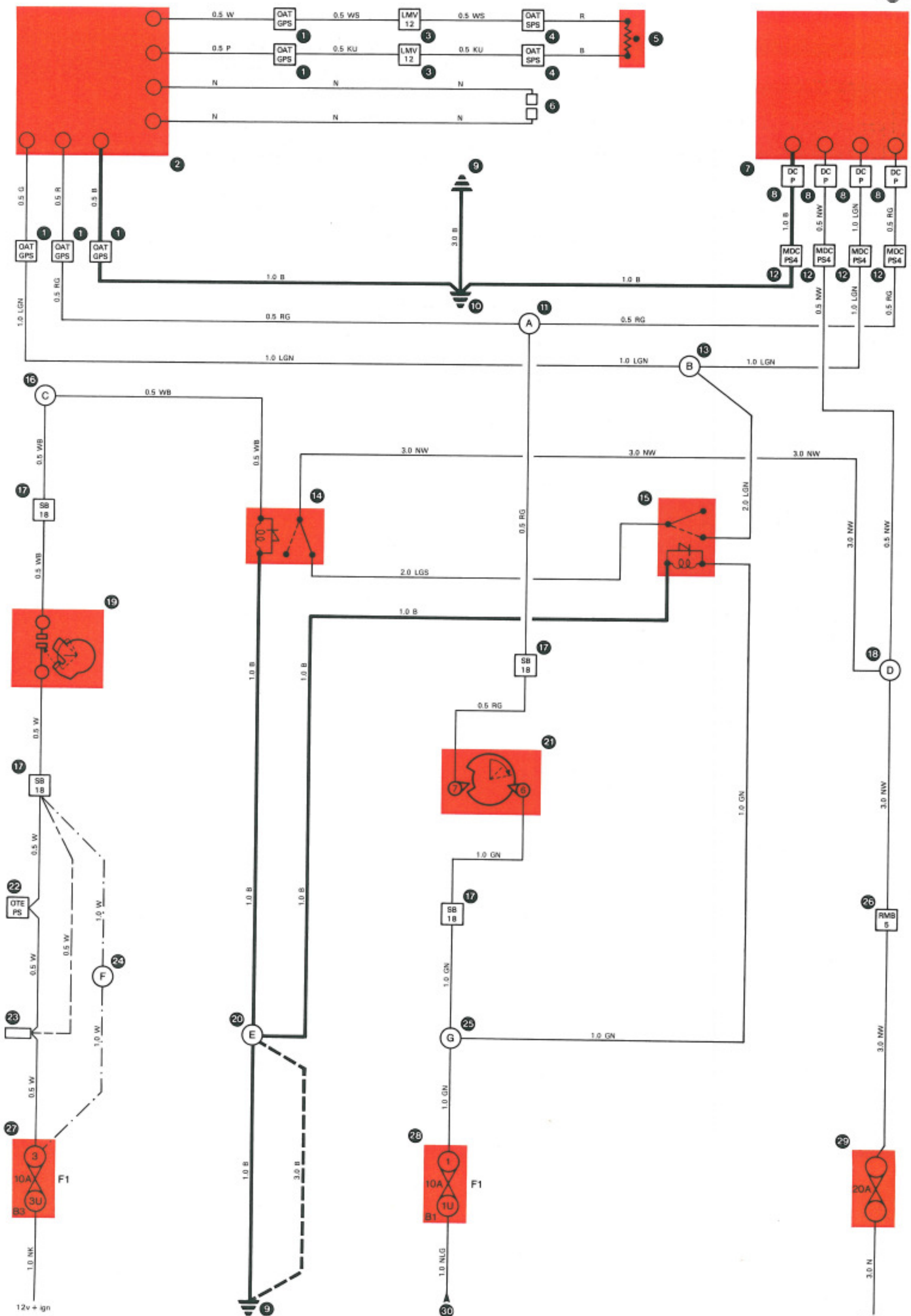


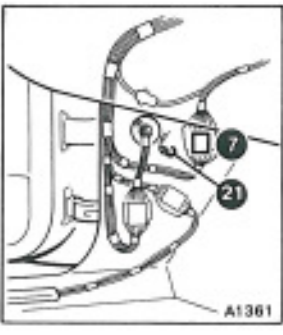
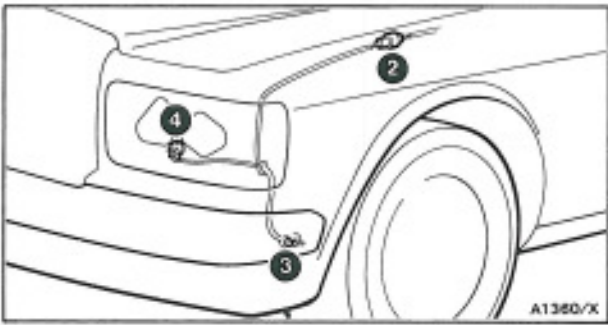
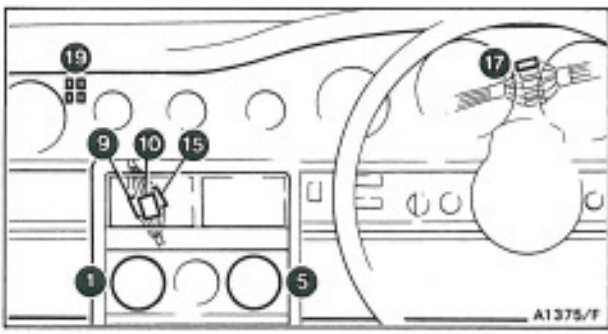
- 25 Splice G



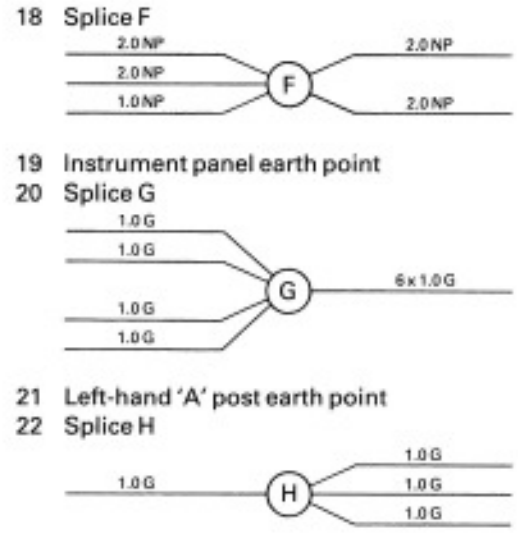
- 26 Right-hand 'A' post main to body loom plug and socket 5-way
- 27 Fuseboard F1, fuse B3, 10 Amp
- 28 Fuseboard F1, fuse B1, 10 Amp
- 29 Memory fuse, 20 Amp (located in the luggage compartment)
- 30 12 volts positive supply when ignition switch is in the ACC or RUN position

**Note** — — — Cable route on left-hand drive 1987 model year cars  
 - - - Cable route on left-hand drive 1988 model year cars



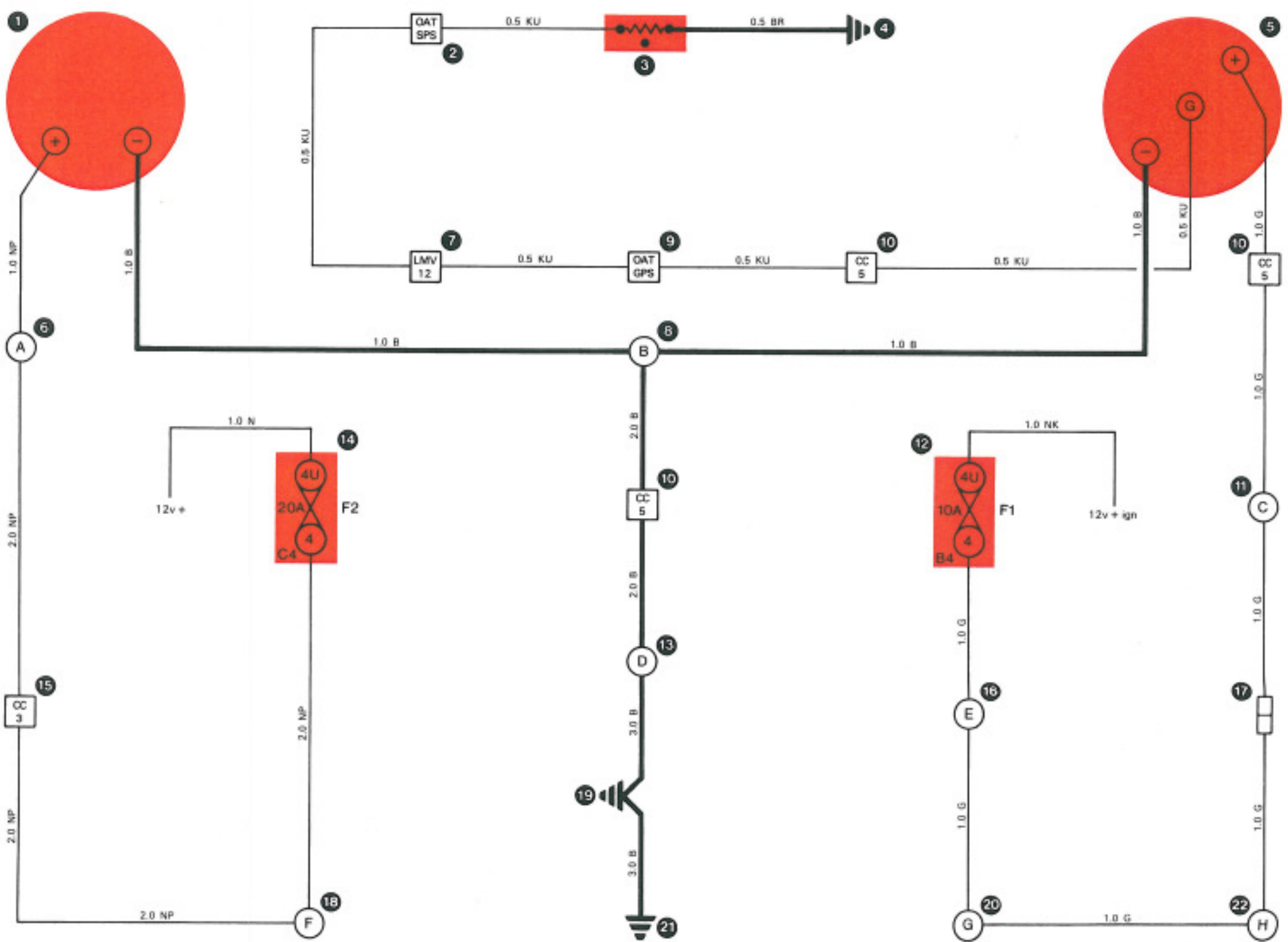


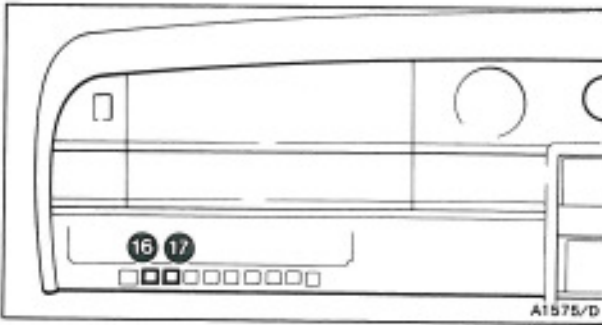
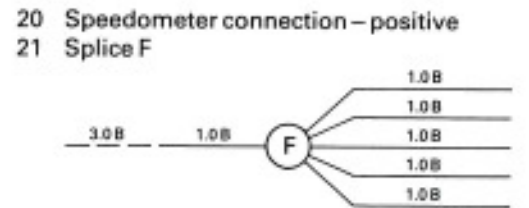
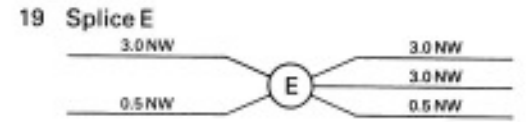
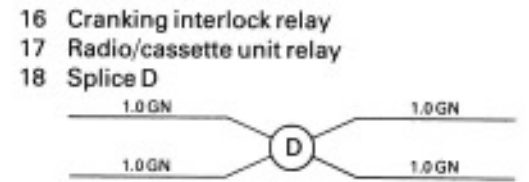
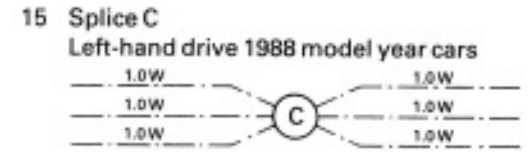
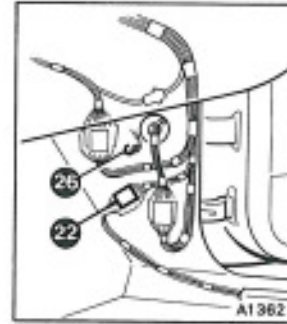
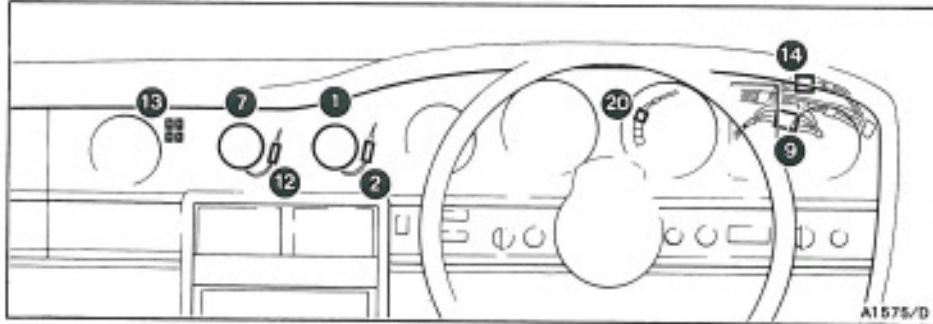
- 7 Left-hand main to valance loom plug and socket 12-way
- 8 Splice B
- 9 Outside air temperature gauge plug and socket
- 10 Centre console plug and socket 5-way
- 11 Splice C
- 12 Fuseboard F1, fuse B4, 10 Amp
- 13 Splice D
- 1987 model year cars
- 1988 model year cars
- 14 Fuseboard F2, fuse C4, 20 Amp
- 15 Centre console plug and socket 3-way
- 16 Splice E
- 1987 model year cars
- 1988 model year cars
- 17 Main to instrument loom connector



**Key to 20-38**

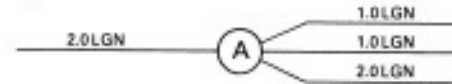
- 1 Analogue clock
  - 2 Outside air temperature sensor plug and socket
  - 3 Outside air temperature sensor
  - 4 Left-hand front earth point (engine compartment)
  - 5 Outside air temperature gauge
  - 6 Splice A
- 



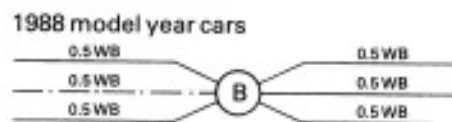
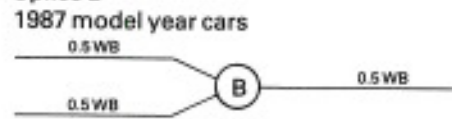


**Key to 20-39**

- 1 Outside air temperature gauge
- 2 Outside air temperature plug and socket
- 3 Left-hand main to valance loom plug and socket 12-way
- 4 Outside air temperature sensor plug and socket
- 5 Outside air temperature sensor
- 6 Left-hand front earth point (engine compartment)
- 7 Analogue clock
- 8 Splice A

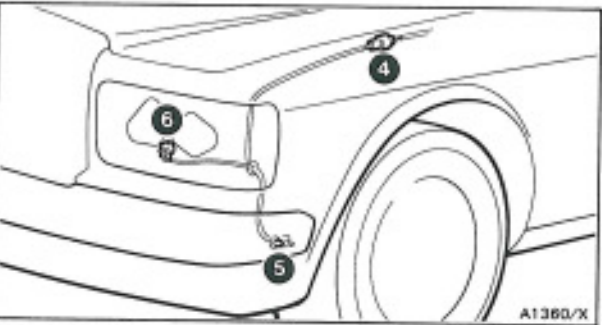
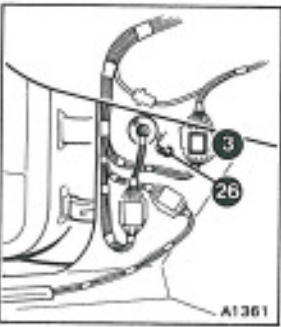


- 9 Switchbox plug and socket 18-way
- 10 Starter switch (switchbox)
- 11 Splice B

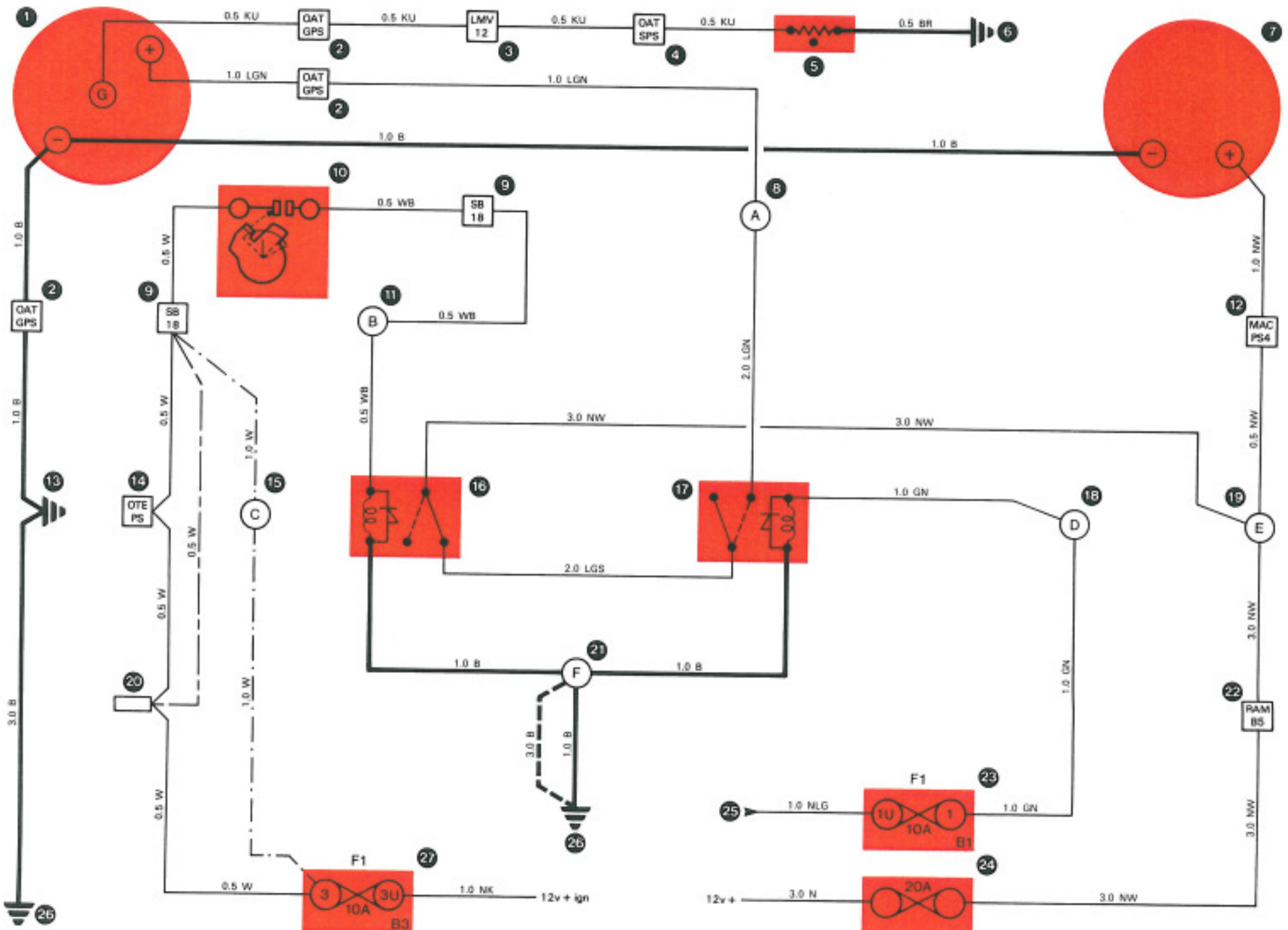


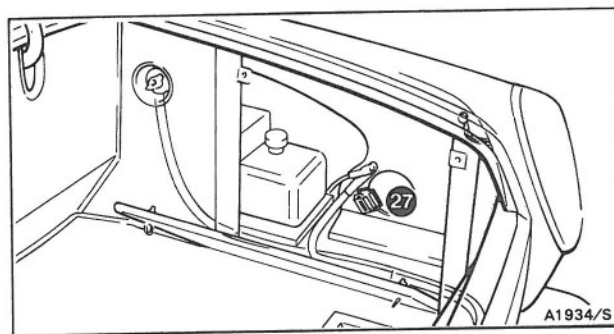
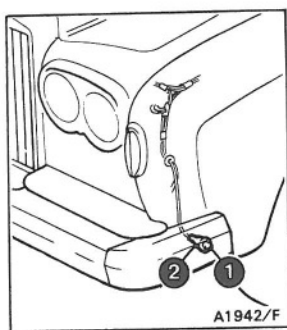
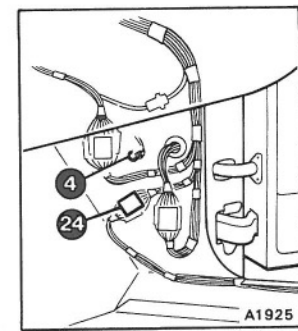
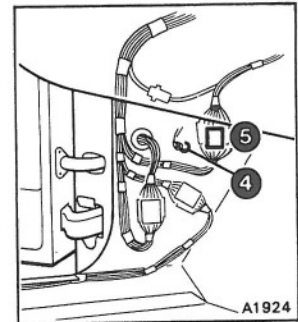
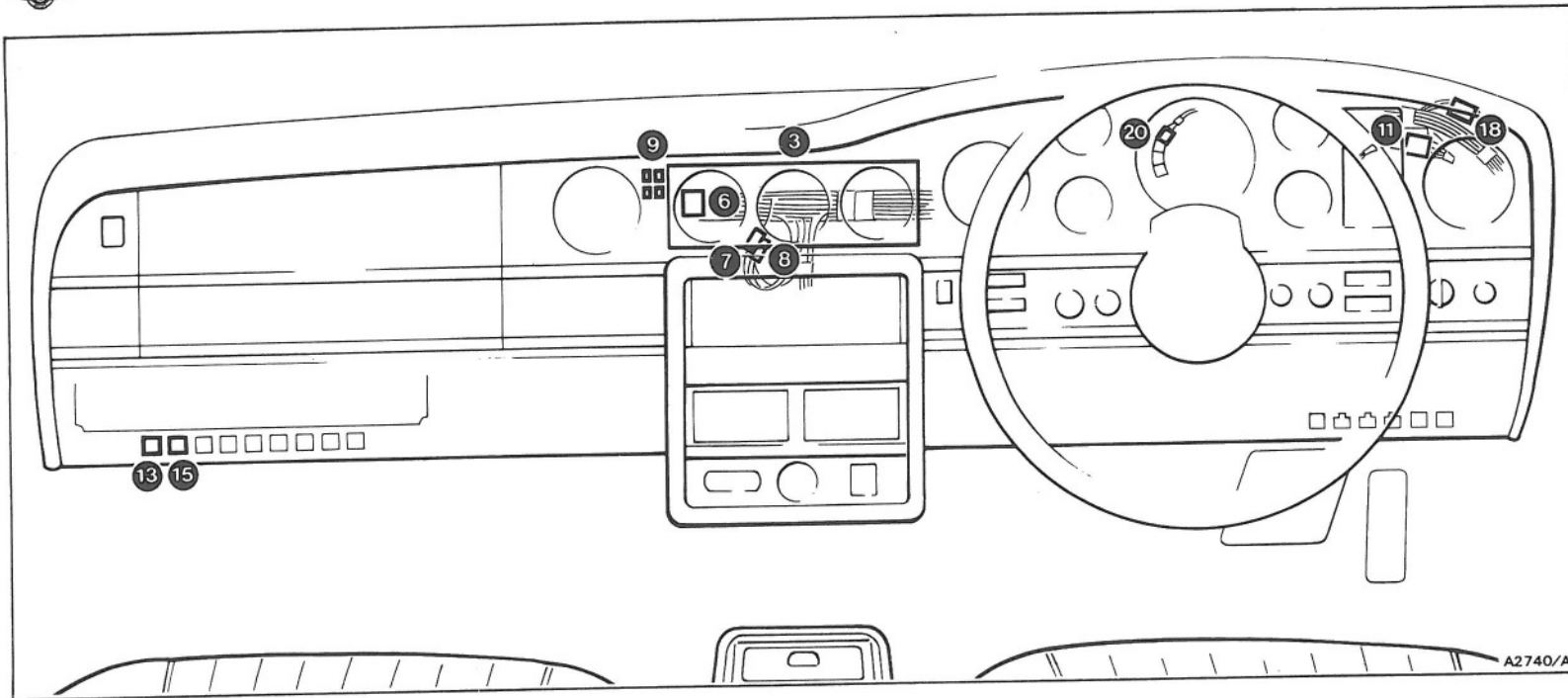
- 22 Right-hand 'A' post main to body loom plug and socket 5-way
- 23 Fuseboard F1, fuse B1, 10 Amp
- 24 Memory fuse, 20 Amp (located in the luggage compartment)
- 25 12 volts positive supply when ignition switch is in the ACC or RUN position
- 26 'A' post earth points
- 27 Fuseboard F1, fuse B3, 10 Amp

**Note** — — — Cable route on left-hand drive 1987 model year cars  
- - - Cable route on left-hand drive 1988 model year cars



- 12 Main to analogue clock link loom plug and socket 4-way
- 13 Instrument panel earth point
- 14 'Other than Europe' plug and socket

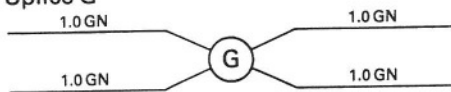




**Key to 20-41**

- 1 Outside air temperature sensor
- 2 Outside air temperature sensor plug
- 3 Digital instrument
- 4 'A' post earth points
- 5 Left-hand main to valance loom plug and socket 12-way
- 6 Digital instrument plug
- 7 Main to digital instrument link loom plug and socket 6-way
- 8 Main to digital instrument link loom plug and socket 4-way
- 9 Instrument panel earth point

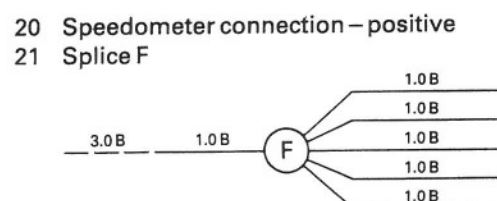
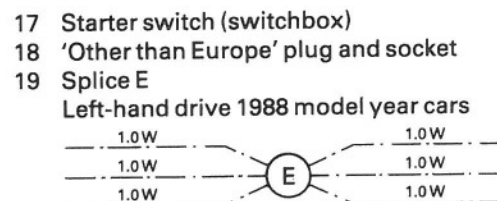
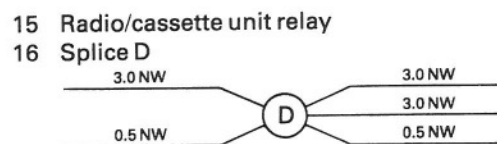
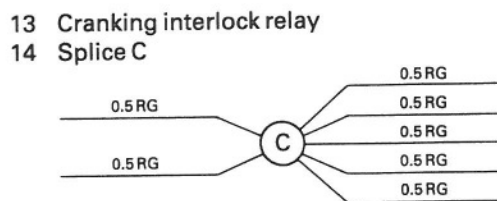
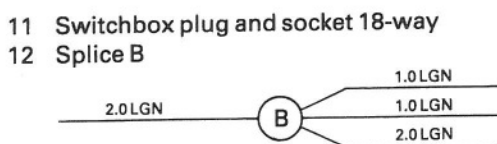
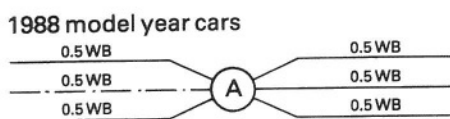
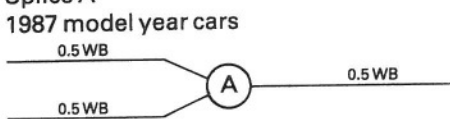
- 22 Lighting switch (switchbox)
- 23 Splice G
- 24 Right-hand 'A' post main to body loom plug and socket 5-way
- 25 Fuseboard F1, fuse B3, 10 Amp
- 26 Fuseboard F1, fuse B1, 10 Amp
- 27 Memory fuse, 20 Amp (located in the luggage compartment)
- 28 12 volts positive supply when ignition key is in the ACC or RUN position



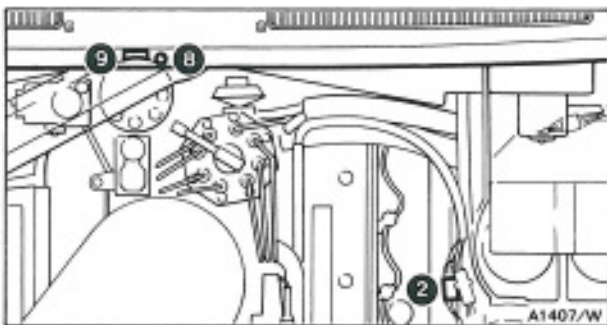
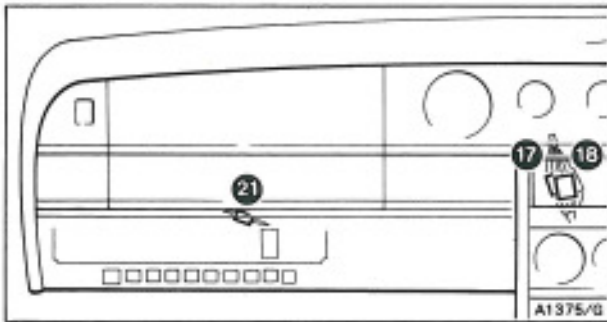
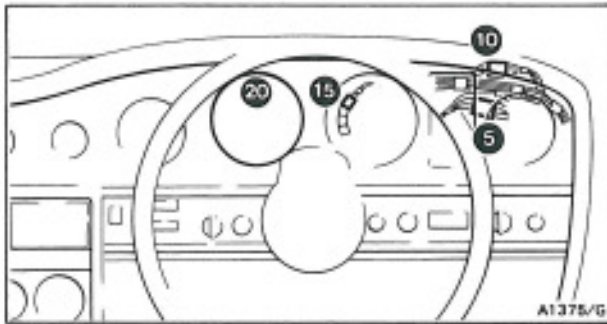
- 24 Right-hand 'A' post main to body loom plug and socket 5-way

- 25 Fuseboard F1, fuse B3, 10 Amp
- 26 Fuseboard F1, fuse B1, 10 Amp
- 27 Memory fuse, 20 Amp (located in the luggage compartment)
- 28 12 volts positive supply when ignition key is in the ACC or RUN position

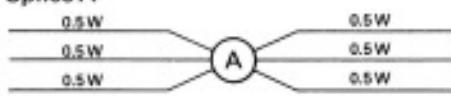
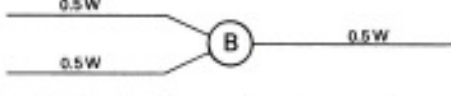
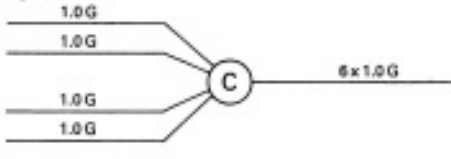
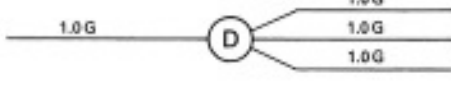
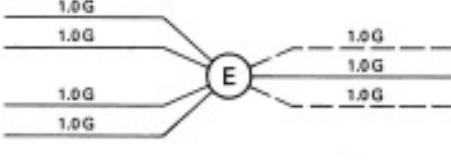
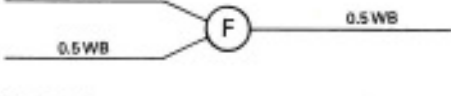

**Note** — — — Cable route on left-hand drive 1987 model year cars  
 - - - Cable route on left-hand drive 1988 model year cars

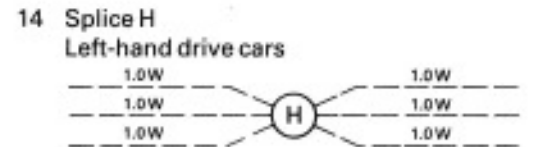




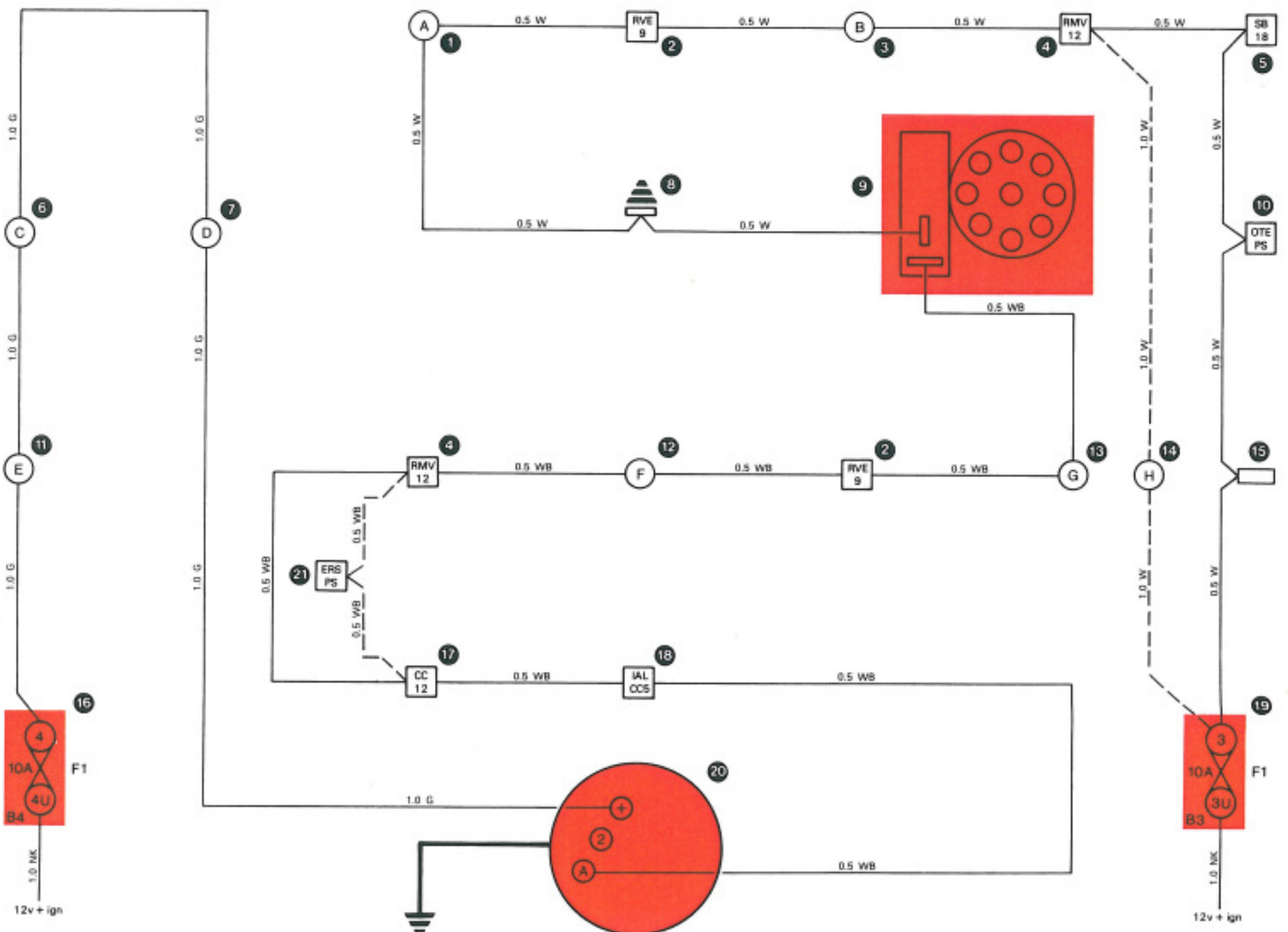


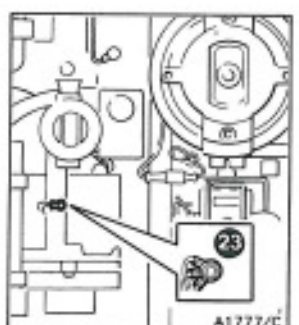
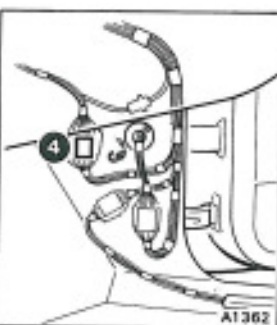
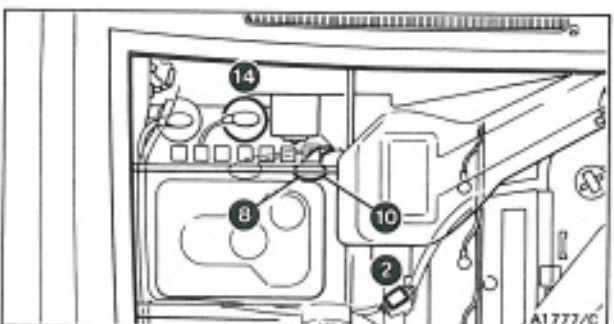
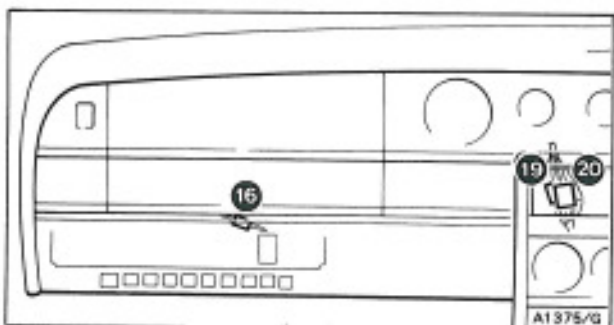
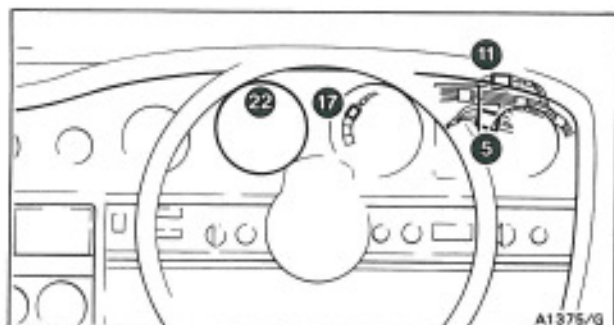
**Key to 20-42**

- 1 Splice A  

- 2 Right-hand valve to engine loom plug and socket 9-way
- 3 Splice B  

- 4 Right-hand main to valve loom plug and socket 12-way
- 5 Switchbox plug and socket 18-way
- 6 Splice C  

- 7 Splice D  

- 8 Distributor suppressor
- 9 Distributor module
- 10 'Other than Europe' plug and socket
- 11 Splice E  

- 12 Splice F  

- 13 Splice G  


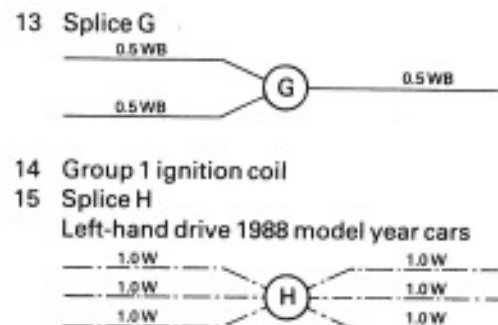
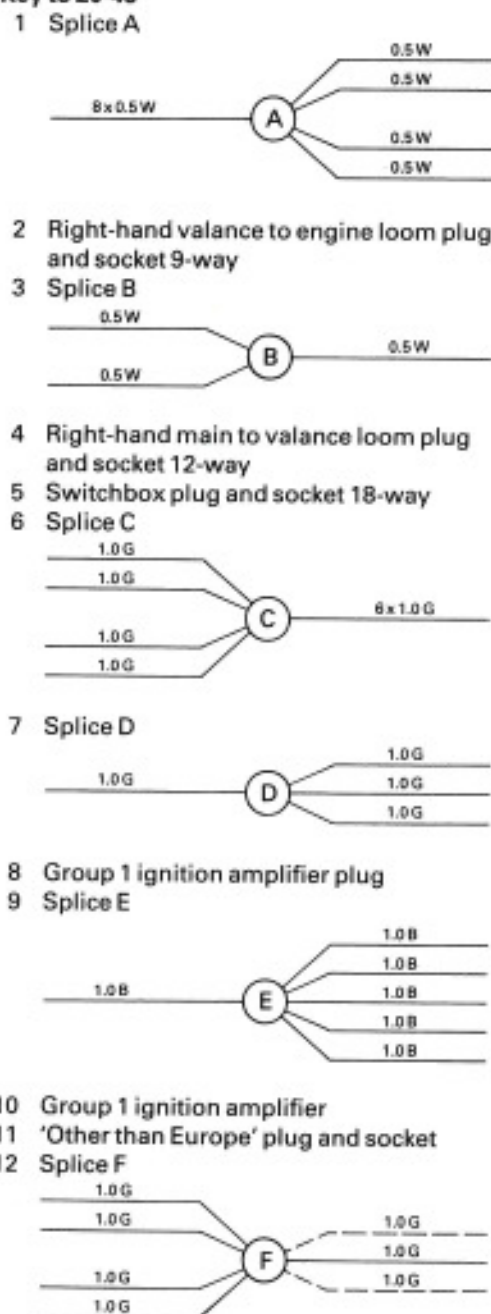


- 15 Speedometer connection – positive
- 16 Fuseboard F1, fuse B4, 10 Amp
- 17 Centre console plug and socket 12-way
- 18 Instruments add on loom to centre console loom plug and socket 5-way
- 19 Fuseboard F1, fuse B3, 10 Amp
- 20 Tachometer
- 21 Engine running sensor plug and socket





**Key to 20-43**



- 16 Engine running sensor plug and socket  
 17 Speedometer connection - positive  
 18 Fuseboard F1, fuse B4, 10 Amp  
 19 Centre console plug and socket 12-way  
 20 Instruments add on loom to centre console loom plug and socket 5-way  
 21 Fuseboard F1, fuse B3, 10 Amp  
 22 Tachometer  
 23 Engine earth point

**Note** — — — Cable route on left-hand drive 1987 model year cars  
 — — — Cable route on left-hand drive 1988 model year cars

