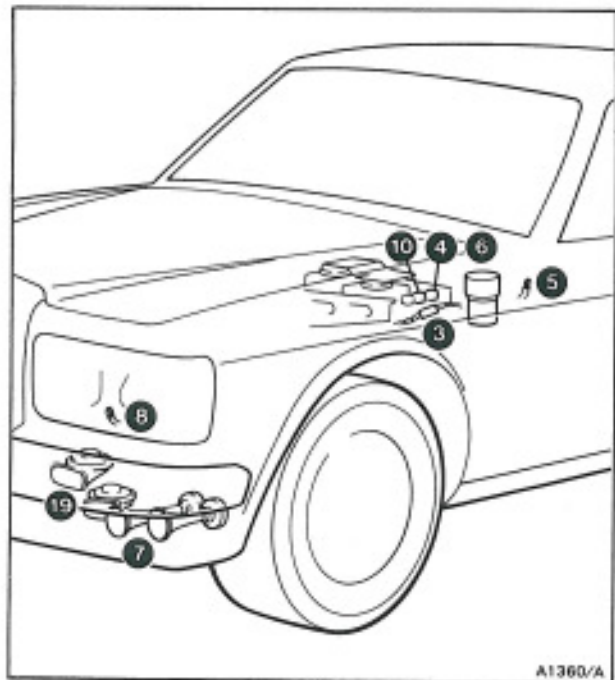




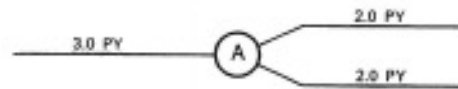
Horns

Contents	Specific application	Pages							
		Rolls-Royce		Corniche / Corniche II	Bentley				Continental
		Silver Spirit	Silver Spur			Eight	Mulsanne	Mulsanne S	
Horns									
Component location		22-2	22-2	22-3	22-2	22-2	22-2	22-2	22-3
Wiring diagram		22-2	22-2	22-3	22-2	22-2	22-2	22-2	22-3

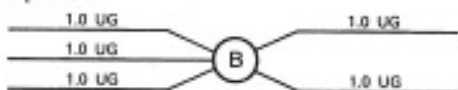


Key to 22-2

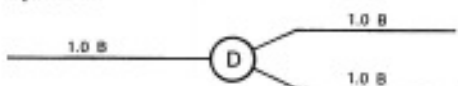
- 1 Fuseboard F2, fuse C3, 20 Amp
- 2 Left-hand main to valance loom plug and socket 9-way
- 3 Air horns plug and socket 2-way
- 4 Air horns relay
- 5 Left-hand valance earth point
- 6 Air horns compressor
- 7 Air horns
- 8 Left-hand front earth point (engine compartment)
- 9 Splice A



- 10 Horns relay
- 11 Left-hand main to valance loom plug and socket 12-way
- 12 Left-hand main to valance loom plug and socket 7-way
- 13 Steering column plug and socket 12-way
- 14 Splice B

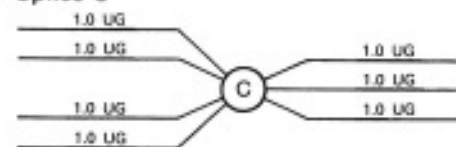


- 15 'A' post earth point
- 16 Splice D



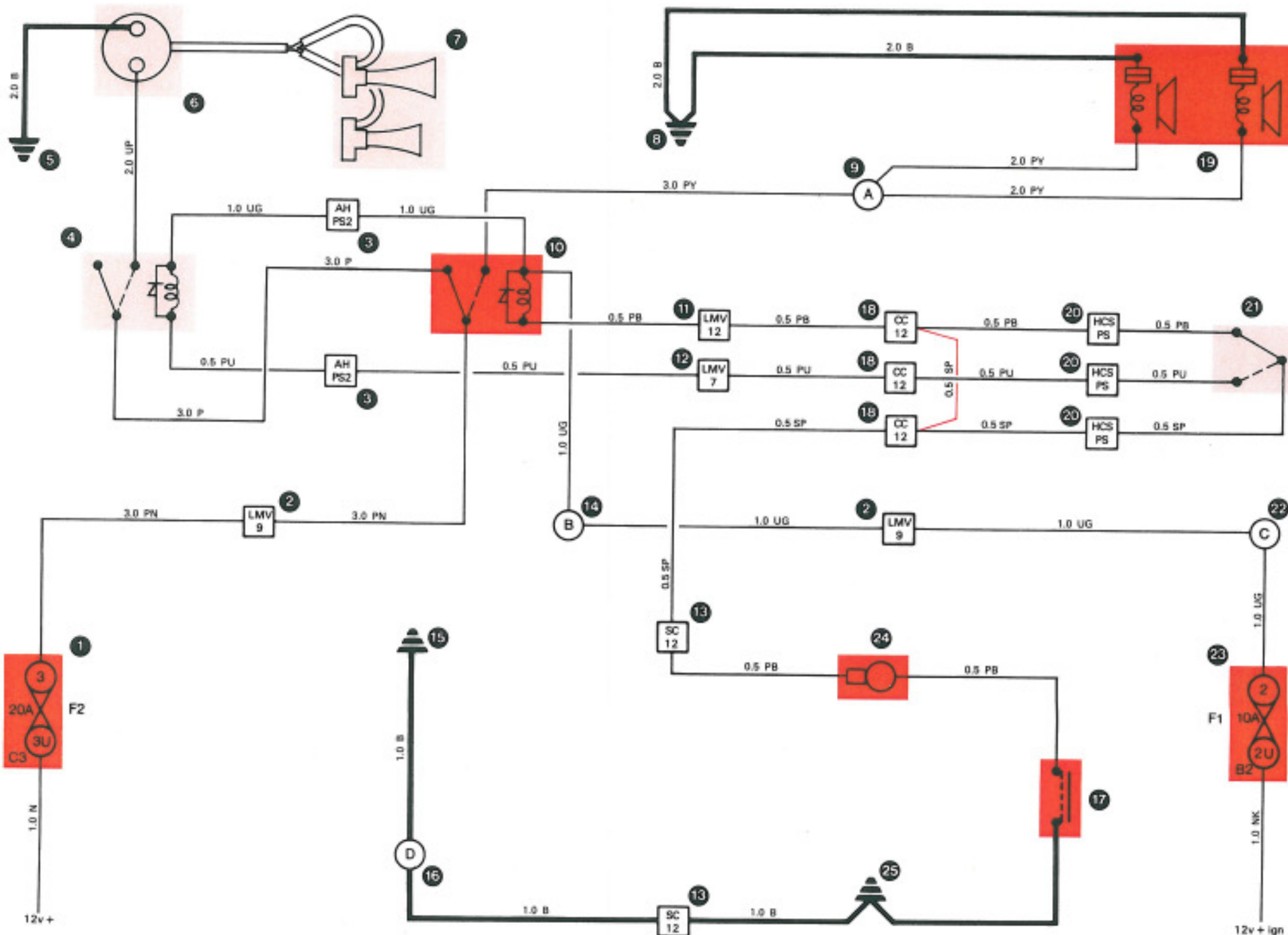
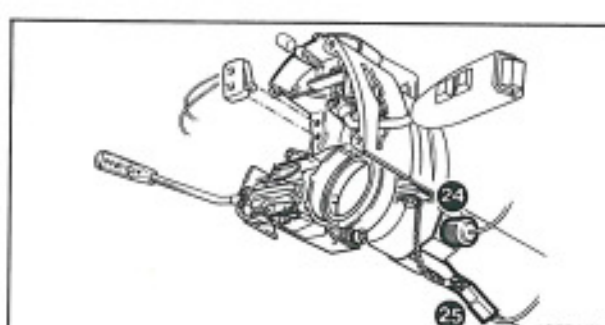
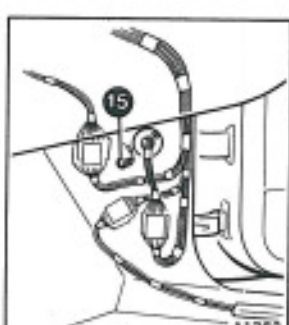
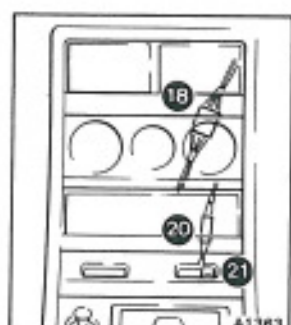
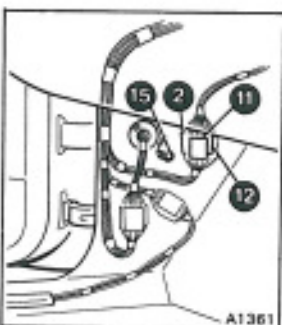
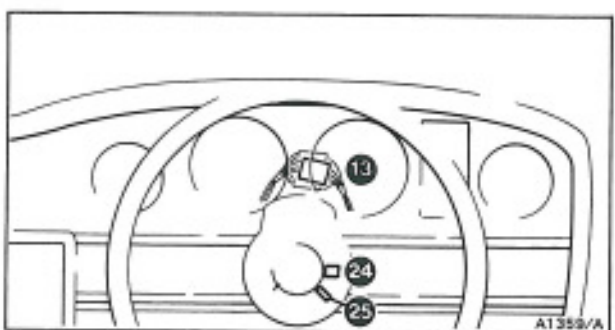
- 17 Horns push button switch
- 18 Centre console plug and socket 12-way
- 19 Windtone horns

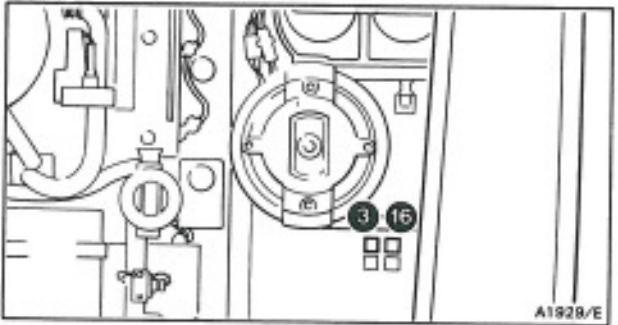
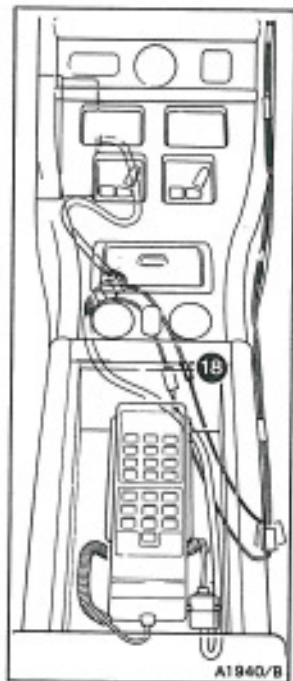
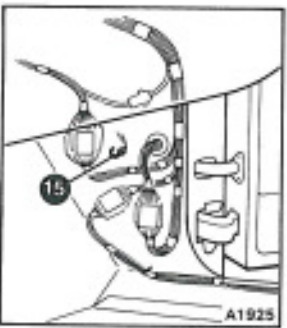
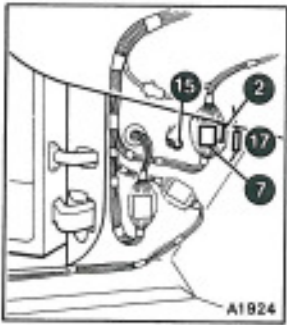
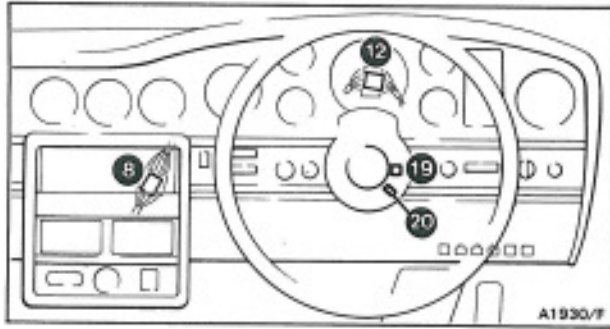
- 20 Horns changeover switch plug and socket
- 21 Horns changeover switch
- 22 Splice C



- 23 Fuseboard F1, fuse B2, 10 Amp
- 24 Carbon brush contact (steering column)
- 25 Steering column earth point

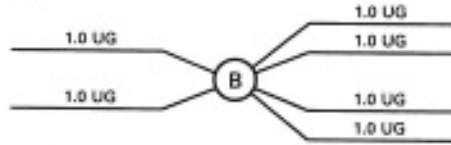
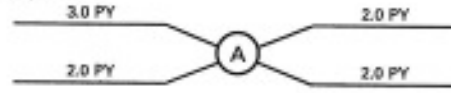
Note Only applicable to cars with air horns
 0.5 SP This cable not fitted to cars with air horns



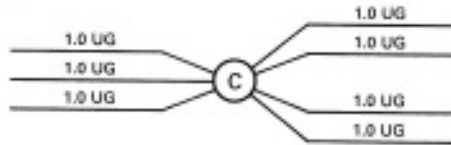


Key to 22-3

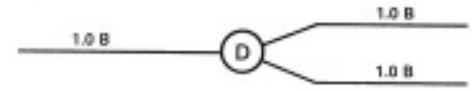
- 1 Fuseboard F2, fuse C3, 20 Amp
- 2 Left-hand main to valance loom plug and socket 9-way
- 3 Horns relay
- 4 Splice A
- 5 Left-hand front earth point (engine compartment)
- 6 Windtone horns
- 7 Left-hand main to valance loom plug and socket 12-way
- 8 Centre console plug and socket 12-way
- 9 Splice B
- 10 Splice C
- 11 Fuseboard F1, fuse B2, 10 Amp
- 12 Steering column plug and socket 12-way
- 13 Horns push button switch



10 Splice C



14 Splice D



- 15 'A' post earth point
- 16 Cellular telephone horns alert relay (Cars conforming to a North American specification)
- 17 Left-hand 'A' post cellular telephone to valance loom connection (Cars conforming to a North American specification)
- 18 Cellular telephone connection at centre stowage compartment (Cars conforming to a North American specification)
- 19 Carbon brush contact (steering column)
- 20 Steering column earth point

