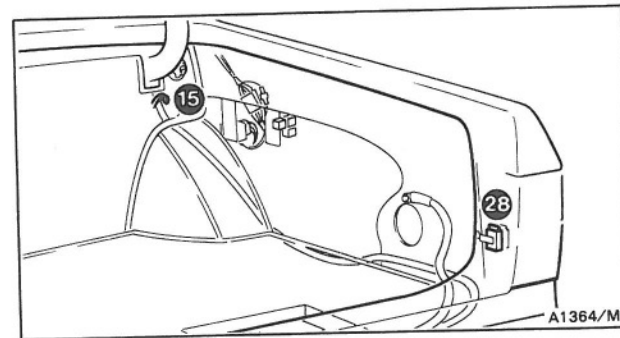
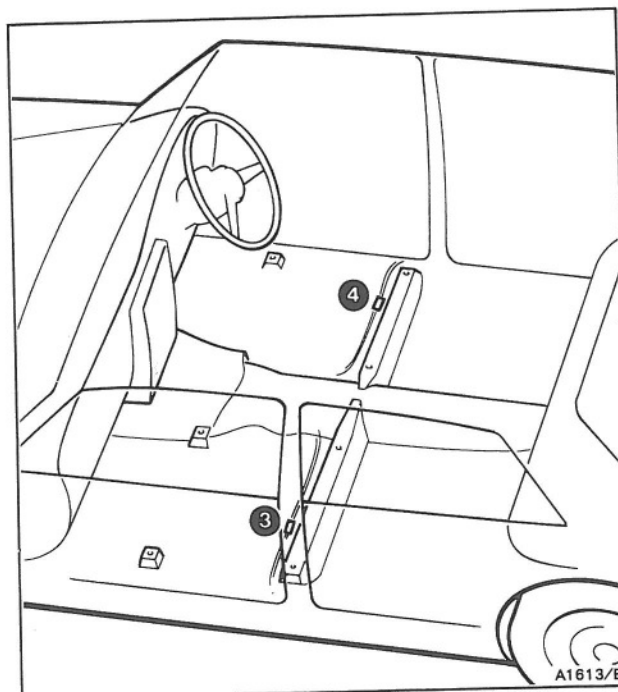
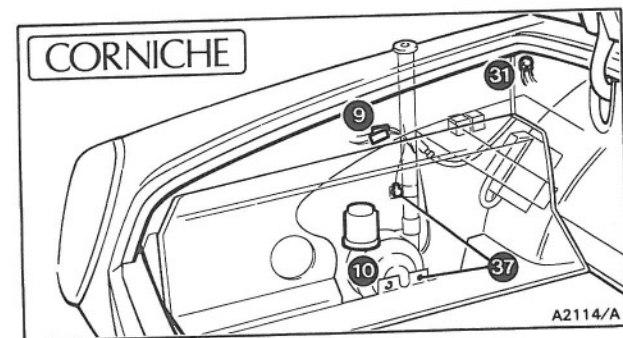
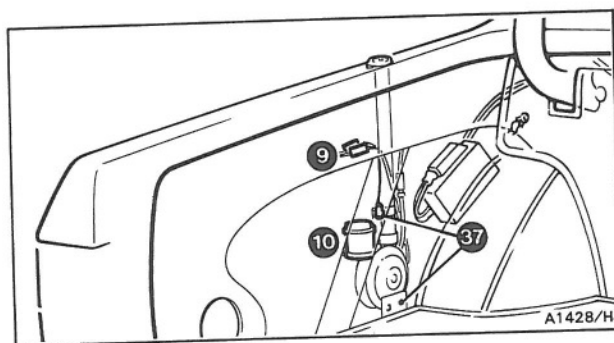
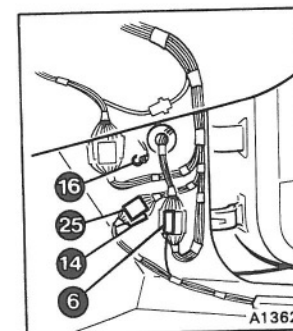
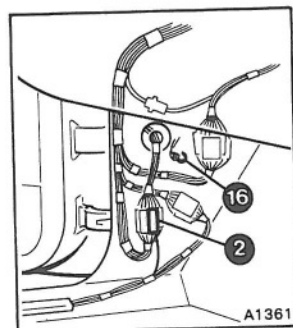
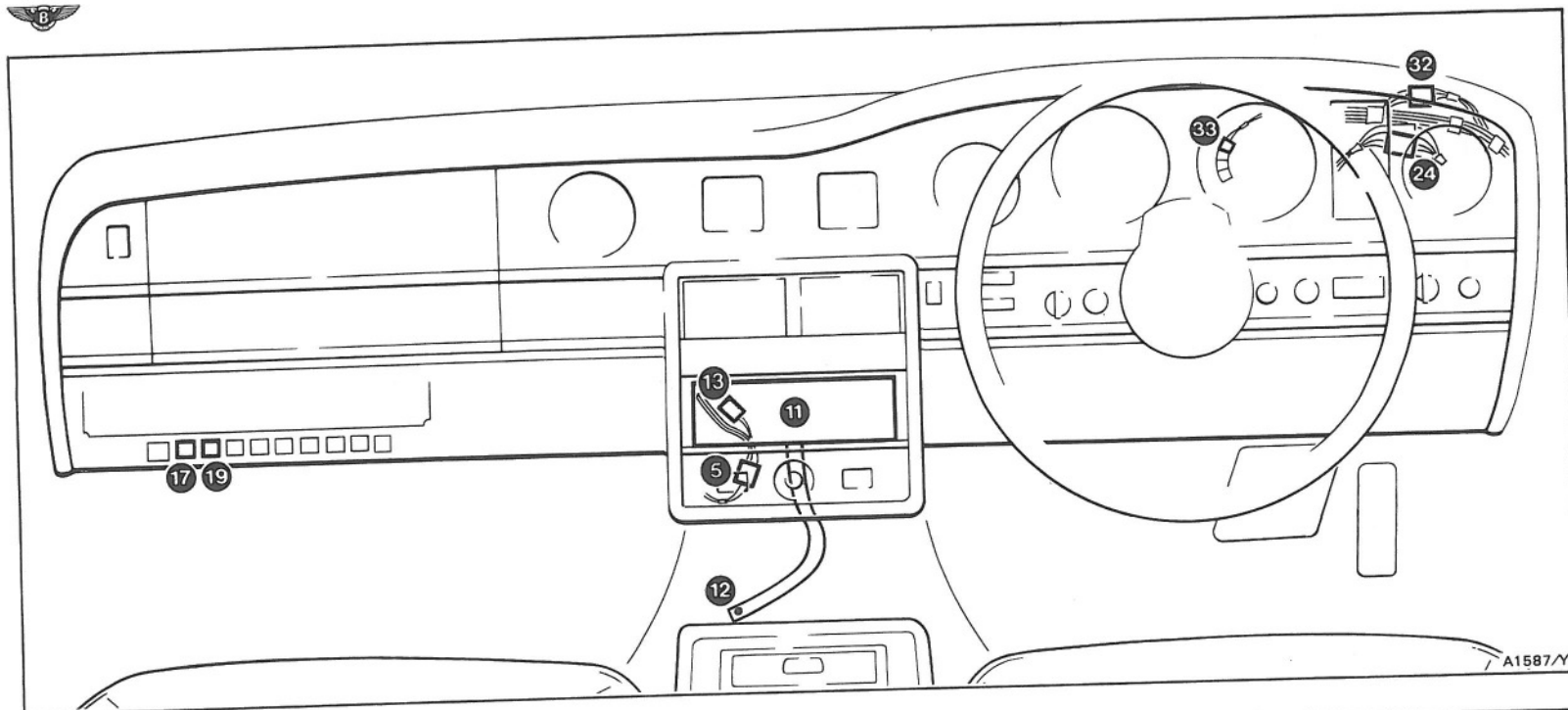




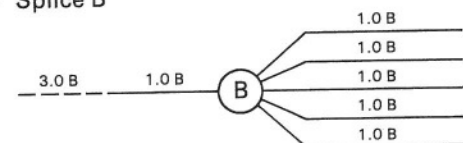
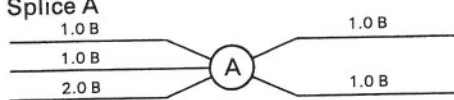
In car entertainment

Contents	Specific application	Pages							
		Rolls-Royce		Corniche / Corniche II	Bentley	Mulsanne	Mulsanne S	Turbo R	Continental
Silver Spirit	Silver Spur	Eight							
Cars fitted with a Blaupunkt Toronto or Blaupunkt Bremen radio/cassette unit									
Component location		25-2	25-2	25-2	25-2	25-2	25-2	25-2	
Wiring diagram		25-3	25-3	25-3	25-3	25-3	25-3	25-3	
Cars fitted with a Blaupunkt Vancouver radio/cassette unit									
Component location		—	—	—	25-4	—	—	—	
Wiring diagram		—	—	—	25-5	—	—	—	
Cars fitted with an AC Delco radio/cassette unit									
Component location		25-6	25-6	25-6	25-6	25-6	—	25-6	
Wiring diagram		25-7	25-7	25-7	25-7	25-7	—	25-7	
Cars fitted with a Pioneer 8800 or Pioneer 8020 radio/cassette unit									
Component location		25-8	25-8	25-8	25-8	25-8	25-8	25-8	
Wiring diagram		25-9	25-9	25-9	25-9	25-9	25-9	25-9	
Cars fitted with a Clarion 9000 E radio/cassette unit									
Component location		25-10	25-10	—	25-10	25-10	25-10	—	
Wiring diagram		25-11	25-11	—	25-11	25-11	25-11	—	
Cars fitted with a Blaupunkt New York SQR 05 radio/cassette unit									
Component location		25-12	25-12	25-12	25-12	25-12	25-12	25-12	
Wiring diagram		25-13	25-13	25-13	25-13	25-13	25-13	25-13	

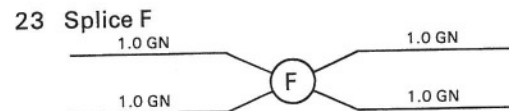
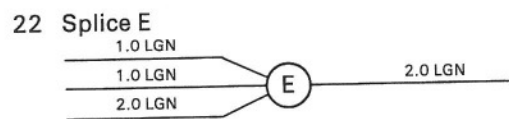
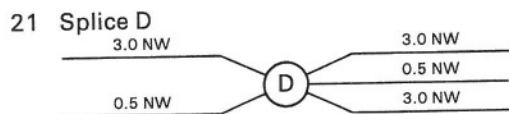
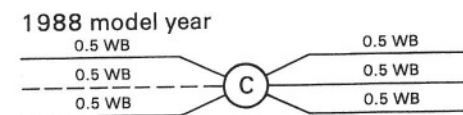
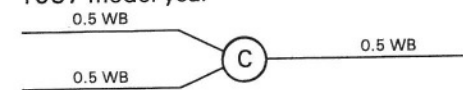


Key to 25-3

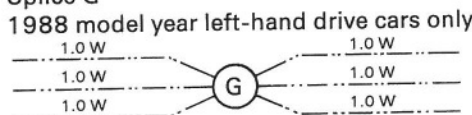
- 1 Left-hand front speaker
- 2 Left-hand 'A' post plug and socket 2-way
- 3 Left-hand speaker distribution loom plug and socket 4-way
- 4 Right-hand speaker distribution loom plug and socket 4-way
- 5 In car entertainment loom to main loom plug and socket 12-way
- 6 Right-hand 'A' post plug and socket 2-way
- 7 Right-hand front speaker
- 8 Splice A
- 9 Aerial connection
- 10 Radio aerial motor
- 11 Radio/cassette unit
- 12 Transmission tunnel earth point
- 13 In car entertainment loom to main loom plug and socket 5-way
- 14 Right-hand 'A' post main to body loom plug and socket 6-way
- 15 Luggage compartment earth point - right-hand (Four door cars only)
- 16 'A' post earth points
- 17 Cranking interlock relay
- 18 Splice B



- 19 Radio relay
- 20 Splice C

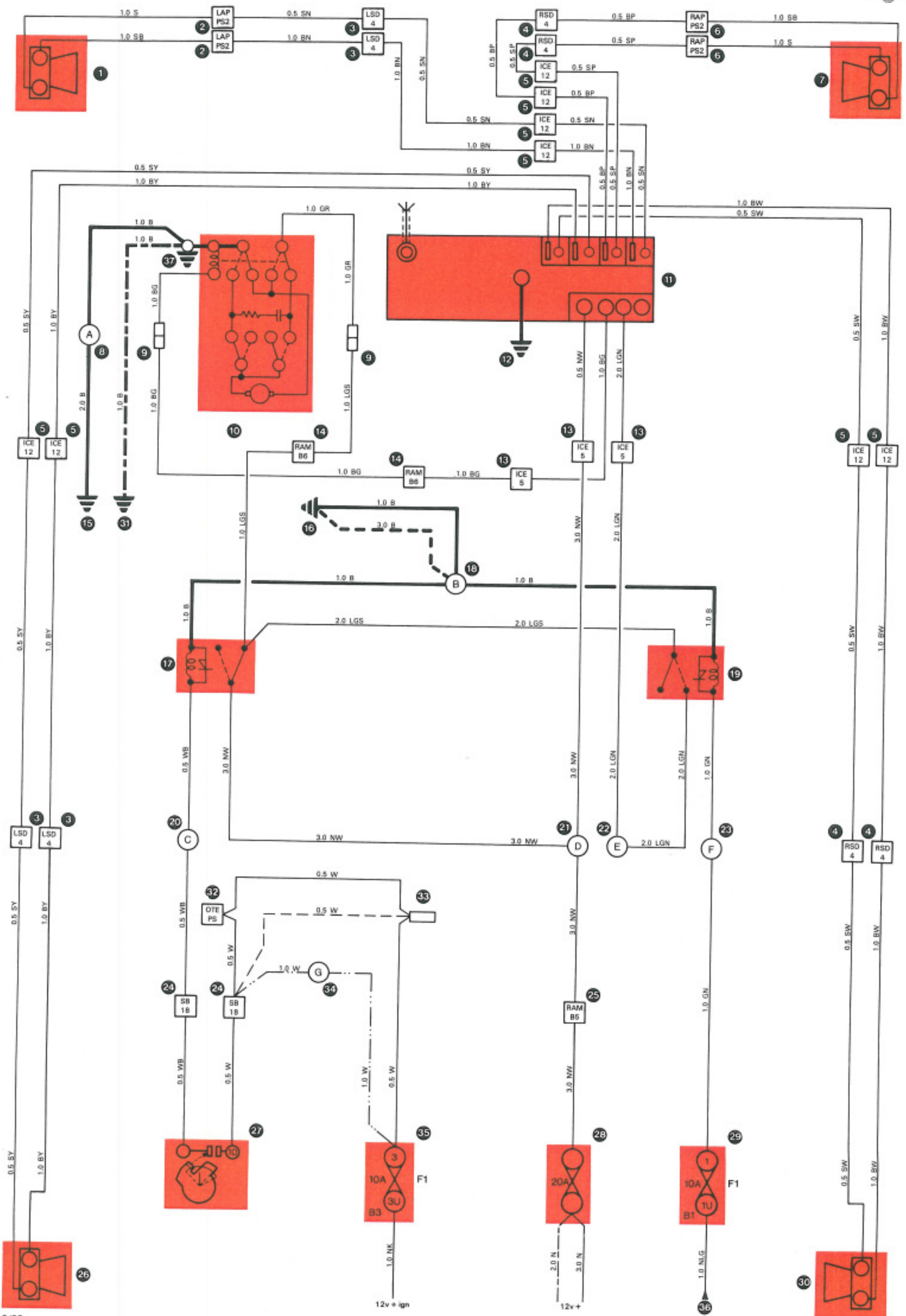


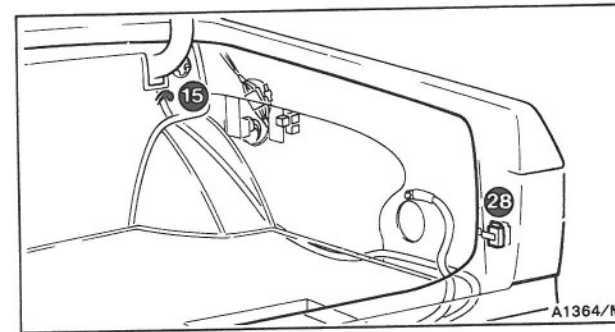
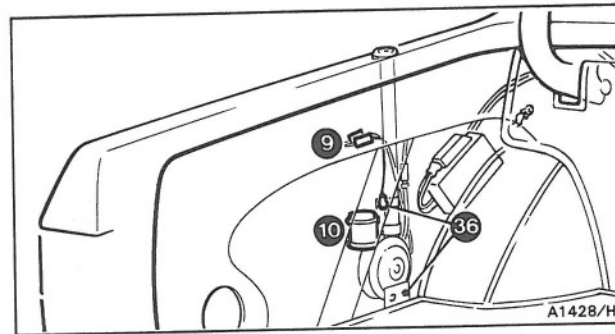
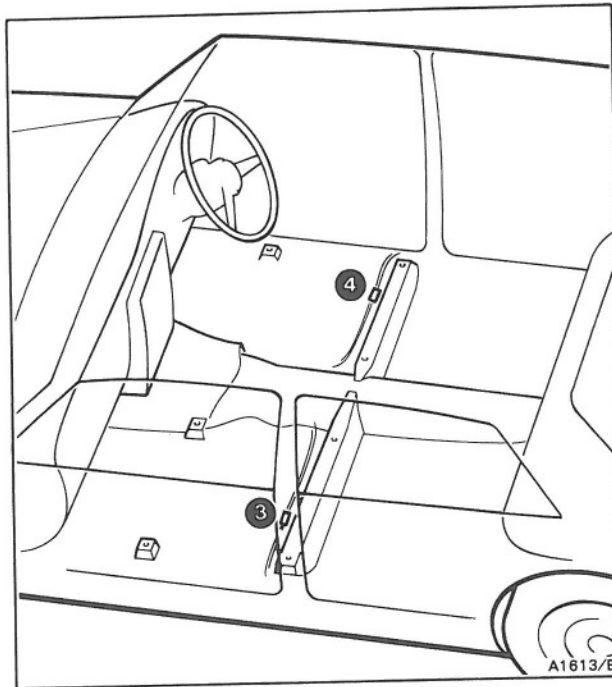
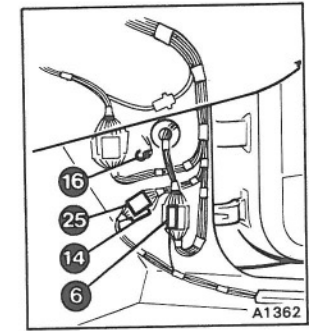
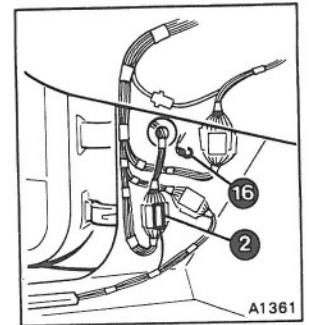
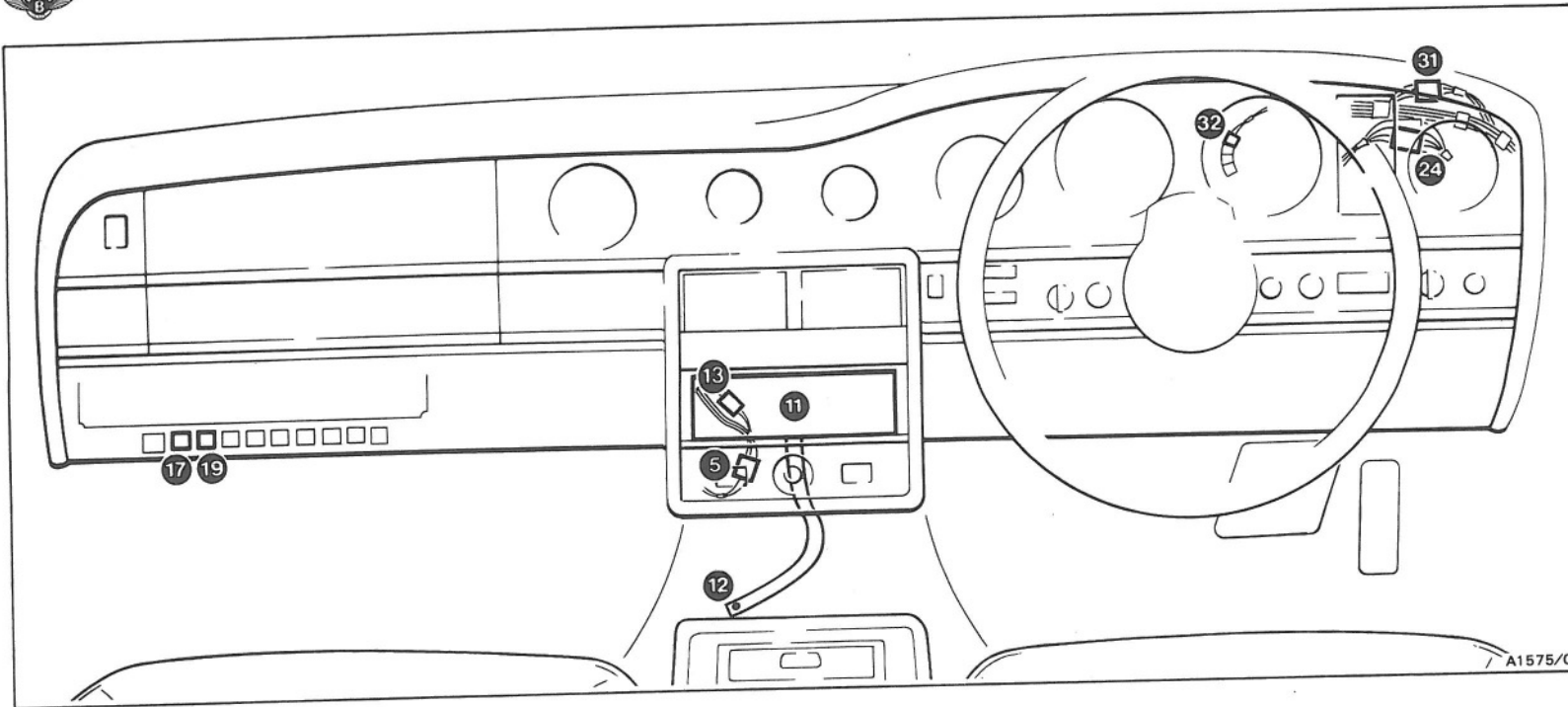
- 21 Splice D
- 22 Splice E
- 23 Splice F
- 24 Switchbox plug and socket 18-way
- 25 Right-hand 'A' post main to body loom plug and socket 5-way
- 26 Left-hand rear speaker
- 27 Starter switch (switchbox)
- 28 Memory fuse, 20 Amp (luggage compartment)
- 29 Fuseboard F1, fuse B1, 10 Amp
- 30 Right-hand rear speaker
- 31 Luggage compartment earth point - left-hand (Two door cars only)
- 32 'Other than Europe' plug and socket
- 33 Speedometer connection - positive
- 34 Splice G



- 35 Fuseboard F1, fuse B3, 10 Amp
- 36 12 volts positive supply when ignition key is in the ACC or RUN position
- 37 Radio aerial earth point

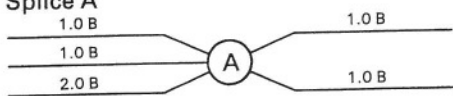
Note Denotes cable route on Two door cars
 Denotes cable route on left-hand drive 1988 model year cars



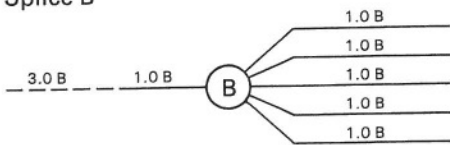


Key to 25-5

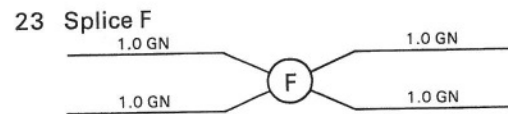
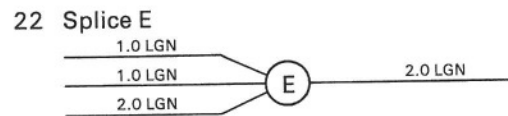
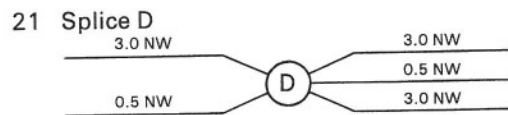
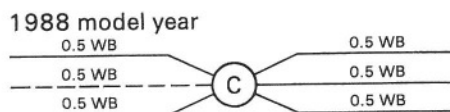
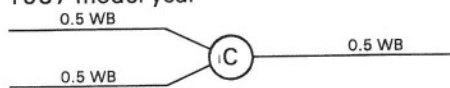
- 1 Left-hand front speaker
- 2 Left-hand 'A' post plug and socket 2-way
- 3 Left-hand speaker distribution loom plug and socket 4-way
- 4 Right-hand speaker distribution loom plug and socket 4-way
- 5 In car entertainment loom to main loom plug and socket 12-way
- 6 Right-hand 'A' post plug and socket 2-way
- 7 Right-hand front speaker
- 8 Splice A



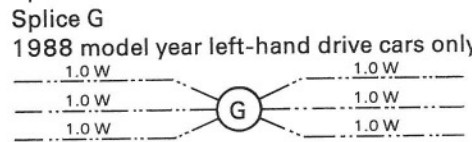
- 9 Aerial connection
- 10 Radio aerial motor
- 11 Radio/cassette unit
- 12 Transmission tunnel earth point
- 13 In car entertainment loom to main loom plug and socket 5-way
- 14 Right-hand 'A' post main to body loom plug and socket 6-way
- 15 Luggage compartment earth point - right-hand
- 16 'A' post earth points
- 17 Cranking interlock relay
- 18 Splice B



- 19 Radio relay
- 20 Splice C

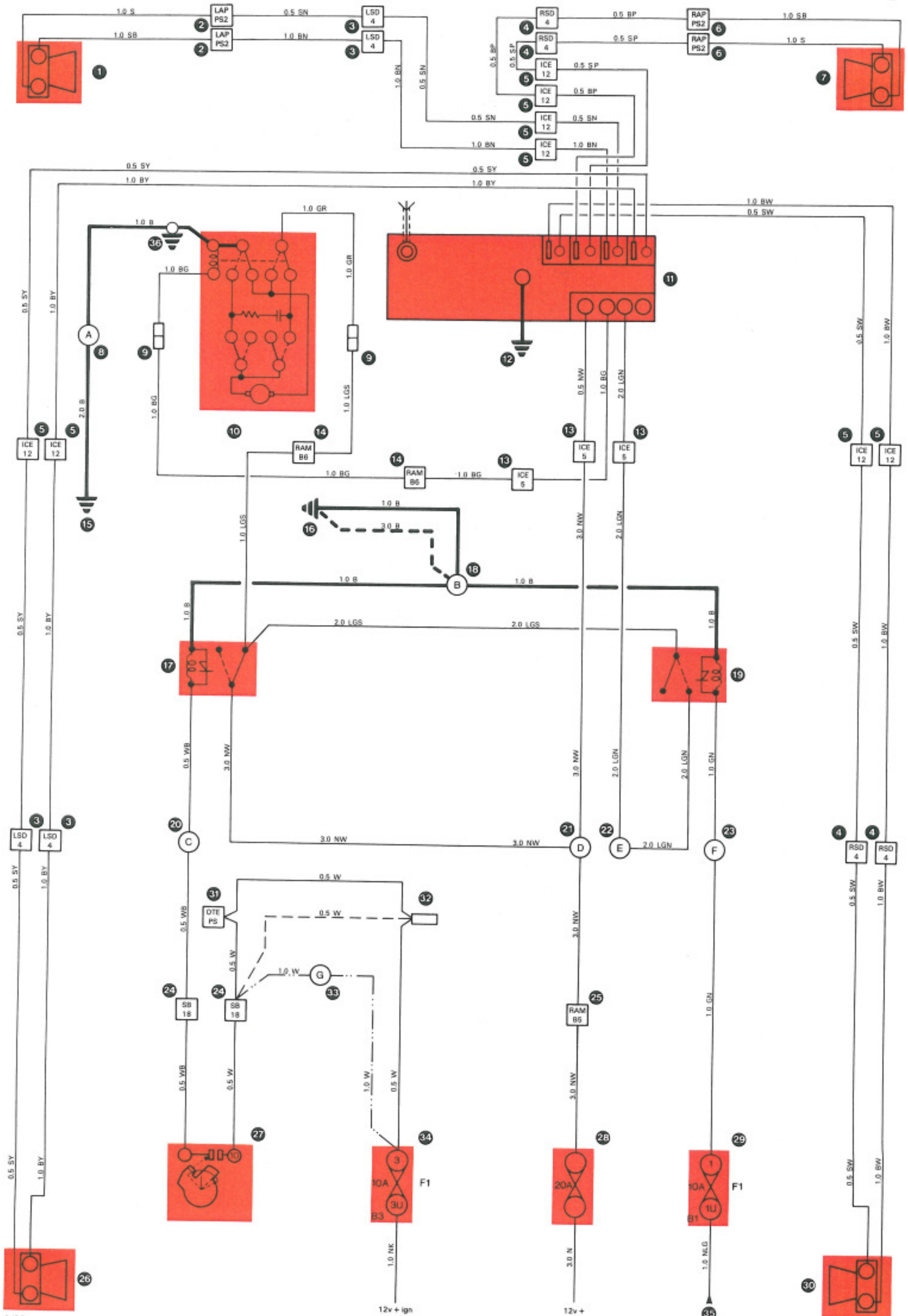


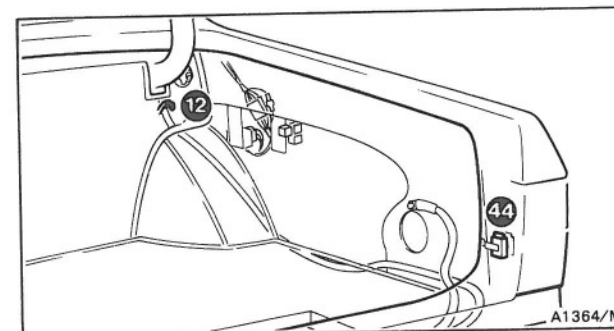
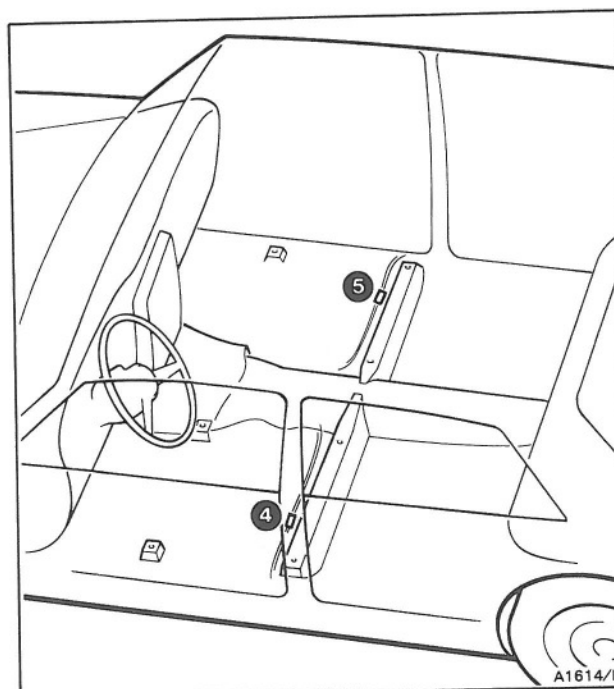
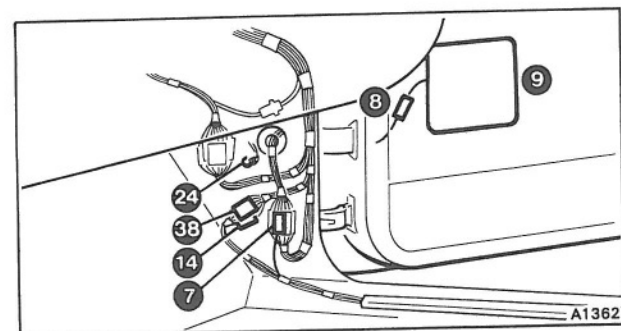
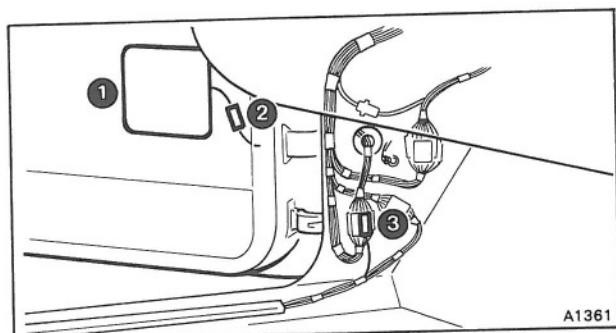
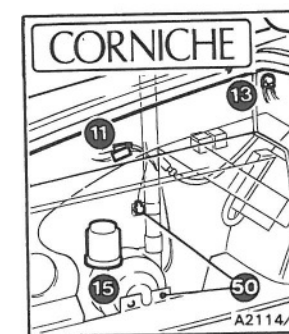
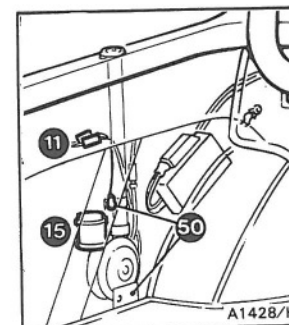
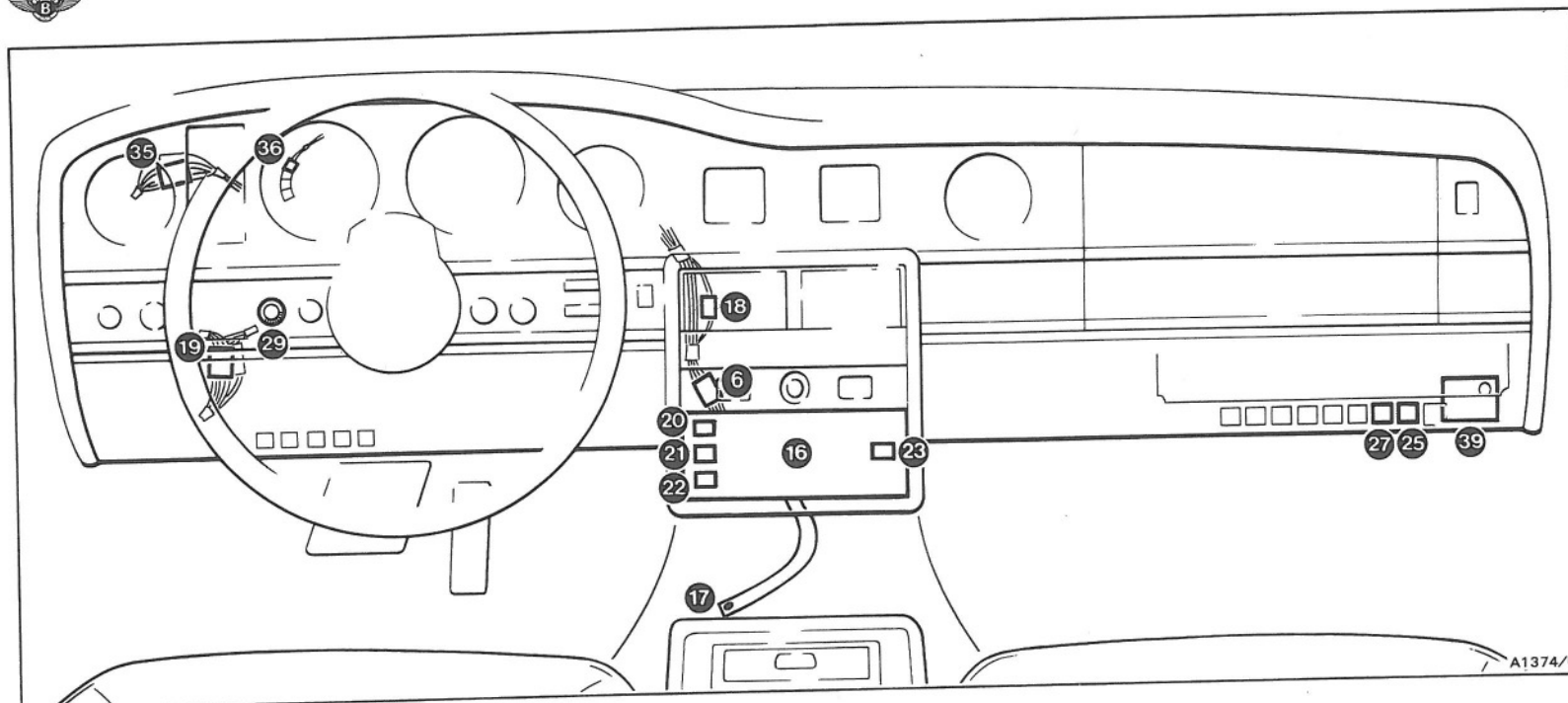
- 24 Switchbox plug and socket 18-way
- 25 Right-hand 'A' post main to body loom plug and socket 5-way
- 26 Left-hand rear speaker
- 27 Starter switch (switchbox)
- 28 Memory fuse, 20 Amp (luggage compartment)
- 29 Fuseboard F1, fuse B1, 10 Amp
- 30 Right-hand rear speaker
- 31 'Other than Europe' plug and socket
- 32 Speedometer connection - positive
- 33 Splice G



- 34 Fuseboard F1, fuse B3, 10 Amp
- 35 12 volts positive supply when ignition key is in the ACC or RUN position
- 36 Radio aerial earth point

Note ——— Denotes cable route on left-hand drive 1988 model year cars

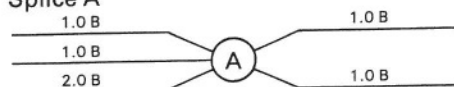




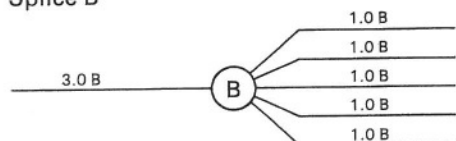
Key to 25-7

- 1 Left-hand front speaker
- 2 Left-hand front speaker plug and socket 2-way
- 3 Left-hand 'A' post plug and socket 2-way
- 4 Left-hand speaker distribution loom plug and socket 4-way
- 5 Right-hand speaker distribution loom plug and socket 4-way
- 6 In car entertainment loom to main loom plug and socket 12-way
- 7 Right-hand 'A' post plug and socket 2-way
- 8 Right-hand front speaker plug and socket 2-way
- 9 Right-hand front speaker

10 Splice A

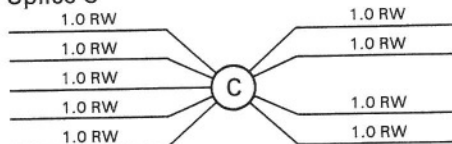


- 11 Aerial connection
- 12 Luggage compartment earth point – right-hand (Four door cars only)
- 13 Luggage compartment earth point – left-hand (Two door cars only)
- 14 Right-hand 'A' post main to body loom plug and socket 6-way
- 15 Radio aerial motor
- 16 Radio/cassette unit
- 17 Transmission tunnel earth point
- 18 In car entertainment loom to main loom plug and socket 5-way
- 19 Outer switch panel plug and socket 12-way
- 20 Radio/cassette unit plug – blue
- 21 Radio/cassette unit plug – white
- 22 Radio/cassette unit plug – black
- 23 Radio/cassette unit plug and socket 2-way
- 24 Right-hand 'A' post earth point
- 25 Cranking interlock relay
- 26 Splice B



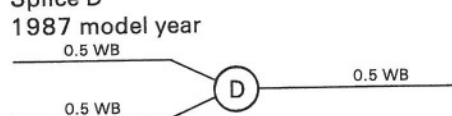
27 Radio relay

28 Splice C

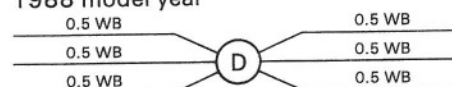


29 Panel lamps dimming potentiometer

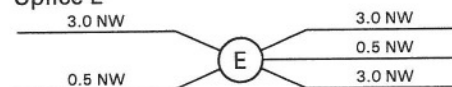
30 Splice D



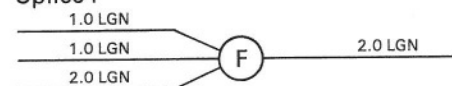
1988 model year



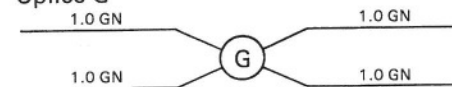
31 Splice E



32 Splice F



33 Splice G

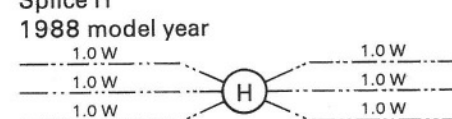


34 Left-hand rear speaker plug and socket 2-way

35 Switchbox plug and socket 18-way

36 Speedometer connection – positive

37 Splice H

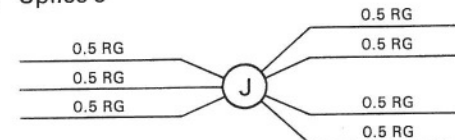


38 Right-hand 'A' post main to body loom plug and socket 5-way

39 Panel lamps electronic control unit

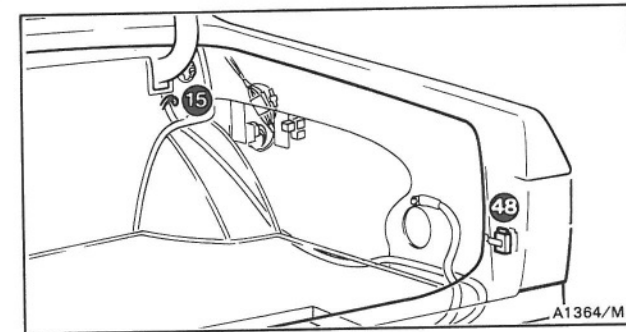
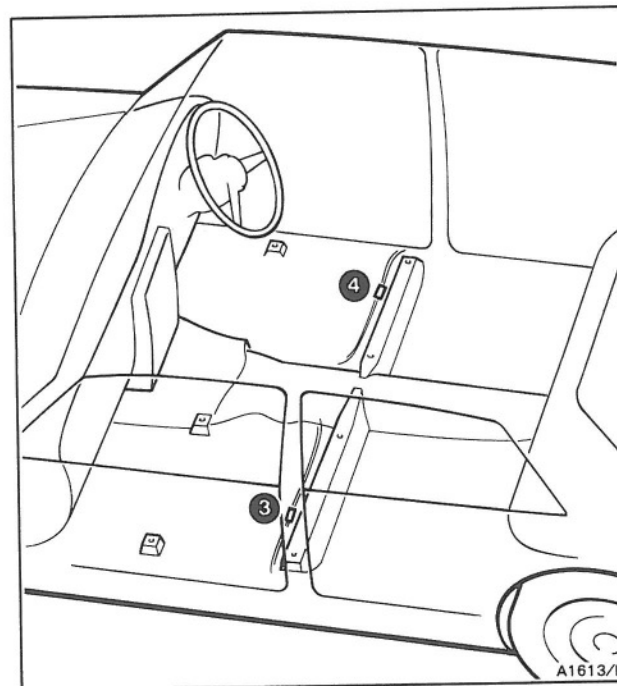
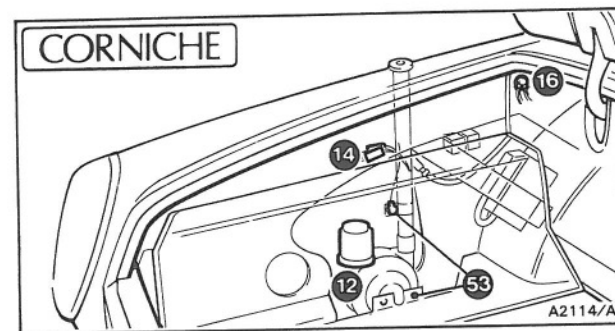
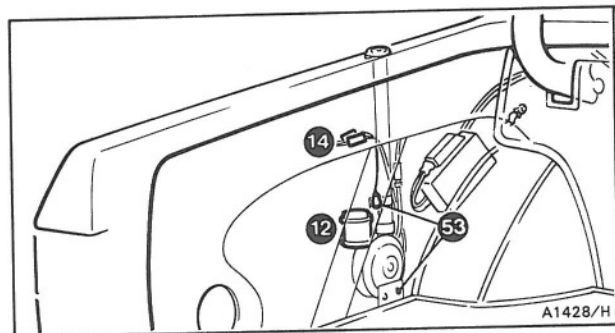
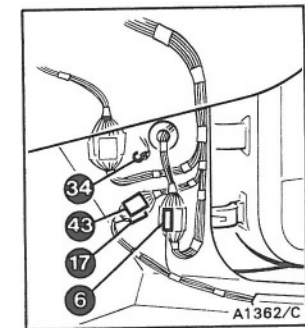
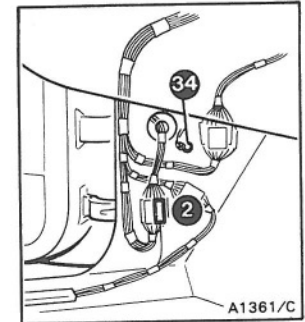
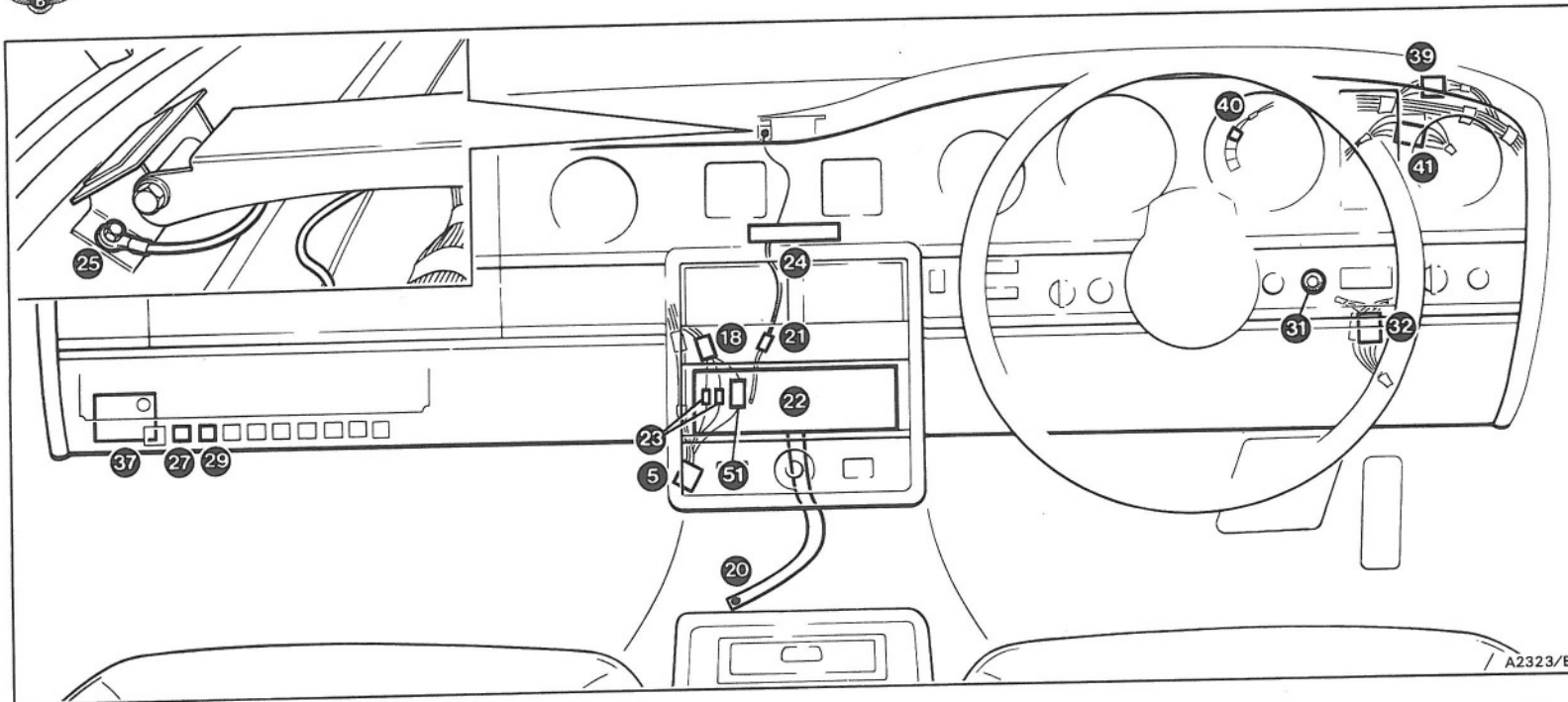
40 Right-hand rear speaker plug and socket 2-way

- 41 Left-hand rear speaker
- 42 Starter switch (switchbox)
- 43 Fuseboard F1, fuse B3, 10 Amp
- 44 Memory fuse, 20 Amp (luggage compartment)
- 45 Fuseboard F1, fuse B1, 10 Amp
- 46 Splice J



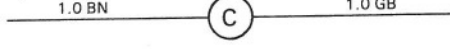

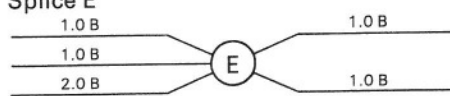
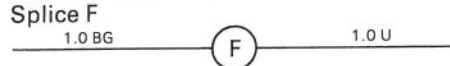


- 47 Right-hand rear speaker
- 48 Lighting switch (switchbox)
- 49 12 volts positive supply when ignition key is in the ACC or RUN position
- 50 Radio aerial earth point

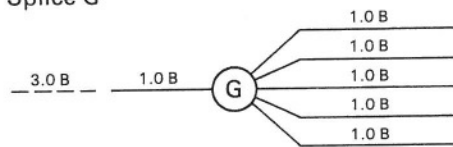
Note Denotes cable route on Two door cars
 Denotes cable route on 1988 model year cars
 Denotes cable route on cars fitted with AC Delco type speakers



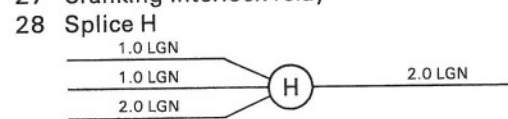
Key to 25-9

- 1 Left-hand front speaker
- 2 Left-hand 'A' post plug and socket 2-way
- 3 Left-hand speakers distribution loom plug and socket 4-way
- 4 Right-hand speakers distribution loom plug and socket 4-way
- 5 In car entertainment loom to main loom plug and socket 12-way
- 6 Right-hand 'A' post plug and socket 2-way
- 7 Right-hand front speaker
- 8 Splice A

- 9 Splice B

- 10 Splice C

- 11 Splice D

- 12 Radio aerial motor
- 13 Splice E

- 14 Aerial connection
- 15 Luggage compartment earth point - right-hand (Four door cars only)
- 16 Luggage compartment earth point - left-hand (Two door cars only)
- 17 Right-hand 'A' post main to body loom plug and socket 6-way
- 18 In car entertainment loom to main loom plug and socket 5-way
- 19 Splice F

- 20 Transmission tunnel earth point
- 21 Radio/cassette unit to amplifier plug and socket
- 22 Radio/cassette unit
- 23 Radio/cassette unit in-line suppressors
- 24 Radio/cassette unit amplifier
- 25 Radio/cassette unit amplifier earth point

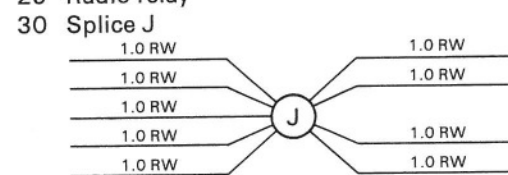
26 Splice G



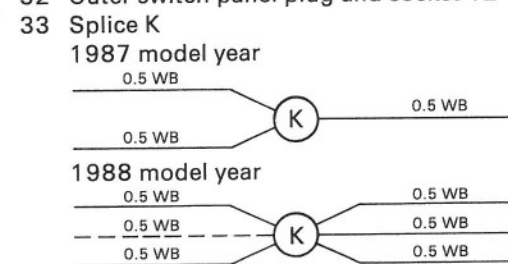
27 Cranking interlock relay



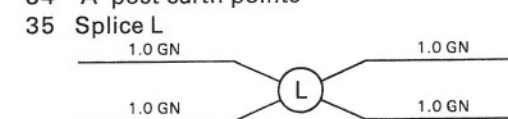
29 Radio relay



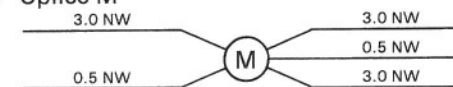
31 Panel lamps dimming potentiometer
32 Outer switch panel plug and socket 12-way



34 'A' post earth points

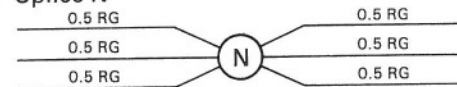


36 Splice M

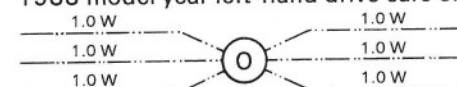


37 Panel lamps electronic control unit

38 Splice N



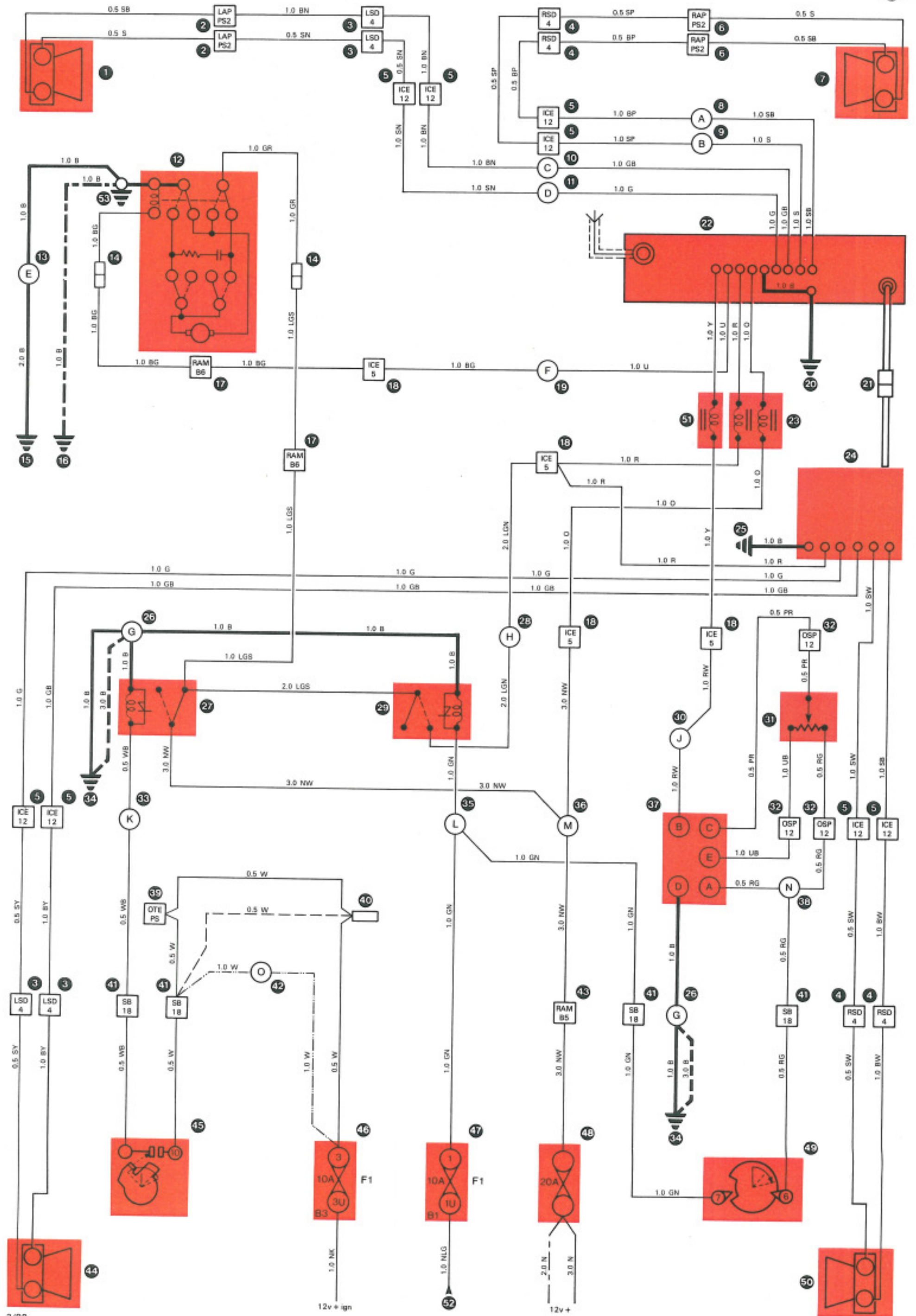
39 'Other than Europe' plug and socket
40 Speedometer connection - positive
41 Switchbox plug and socket 18-way
42 Splice O
 1988 model year left-hand drive cars only

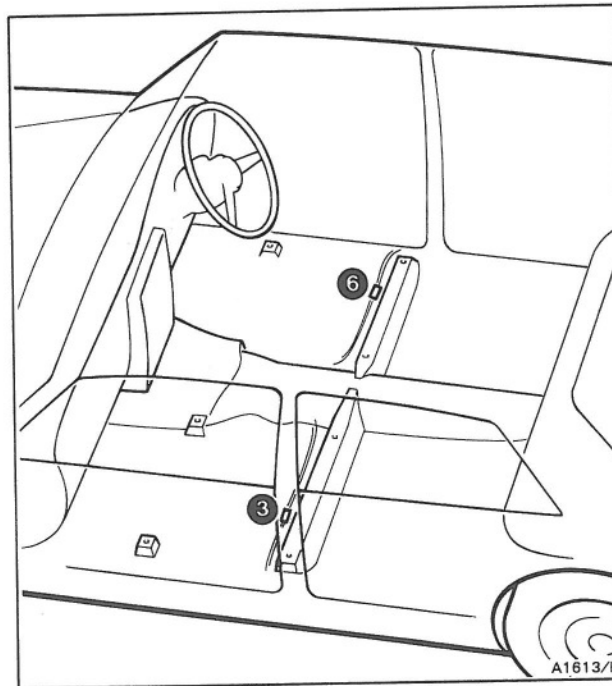
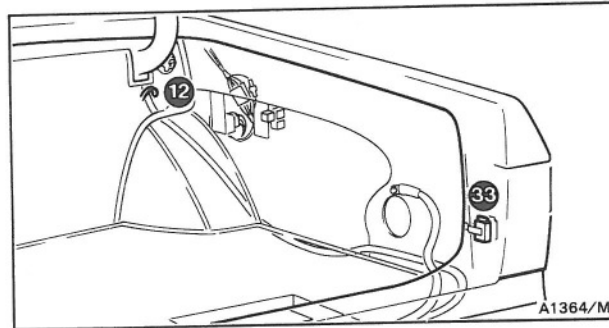
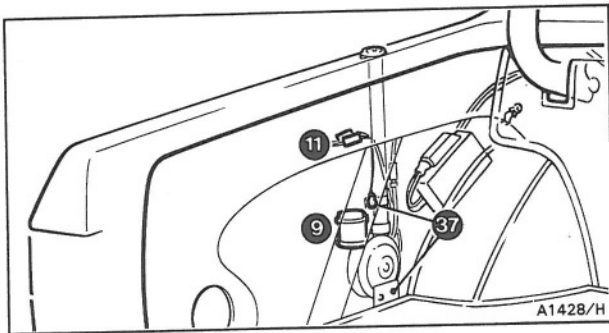
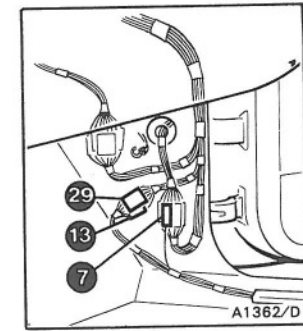
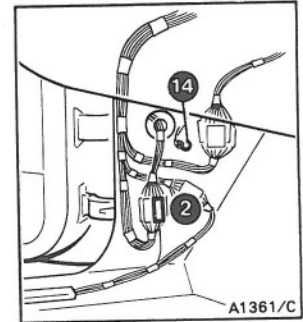
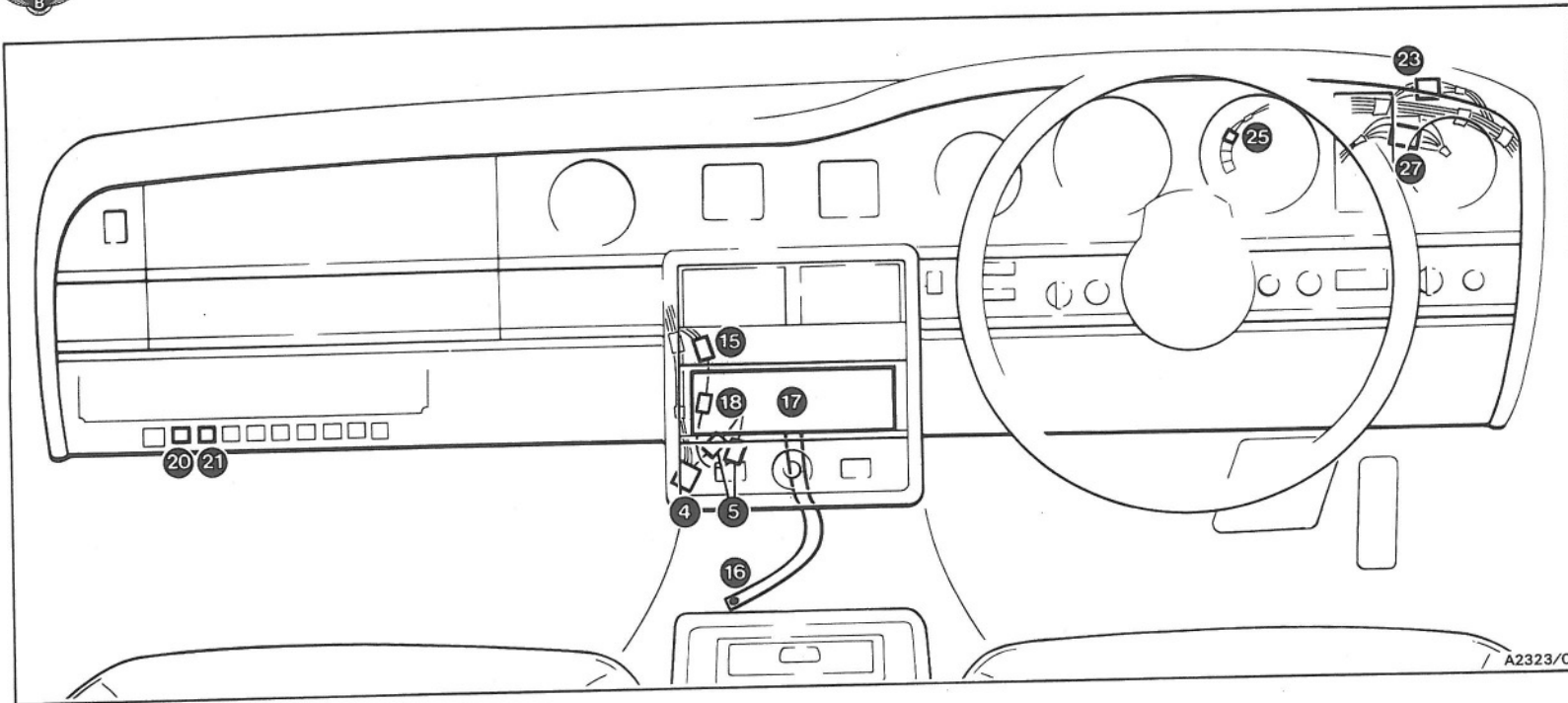


43 Right-hand 'A' post main to body loom plug and socket 5-way

- 44 Left-hand rear speaker
- 45 Starter switch (switchbox)
- 46 Fuseboard F1, fuse B3, 10 Amp
- 47 Fuseboard F1, fuse B1, 10 Amp
- 48 Memory fuse, 20 Amp (luggage compartment)
- 49 Lighting switch (switchbox)
- 50 Right-hand rear speaker
- 51 Radio/cassette unit in-line suppressor (when fitted)
- 52 12 volts positive supply when ignition key is in the ACC or RUN position
- 53 Radio aerial earth point

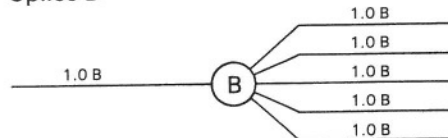
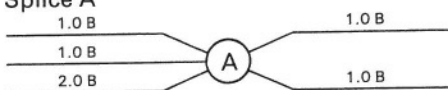
Note Denotes cable route on Two door cars
 Denotes cable route on left-hand drive 1988 model year cars



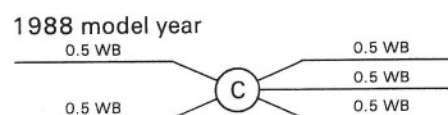
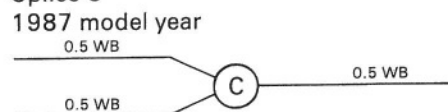


Key to 25-11

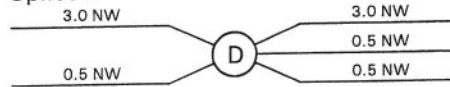
- 1 Left-hand front speaker
- 2 Left-hand 'A' post plug and socket 2-way
- 3 Left-hand speakers distribution loom plug and socket 4-way
- 4 In car entertainment loom to main loom plug and socket 12-way
- 5 Radio/cassette unit plug and socket 6-way
- 6 Right-hand speakers distribution loom plug and socket 4-way
- 7 Right-hand 'A' post plug and socket 2-way
- 8 Right-hand front speaker
- 9 Radio aerial motor
- 10 Splice A
- 11 Aerial connection
- 12 Luggage compartment earth point – right-hand
- 13 Right-hand 'A' post main to body loom plug and socket 6-way
- 14 Left-hand 'A' post earth point
- 15 In car entertainment loom to main loom plug and socket 5-way
- 16 Transmission tunnel earth point
- 17 Radio/cassette unit
- 18 Radio/cassette unit in-line suppressor
- 19 Splice B



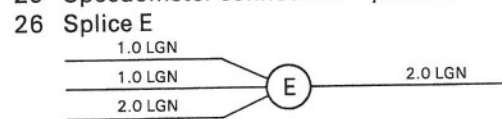
- 20 Cranking interlock relay
- 21 Radio relay
- 22 Splice C



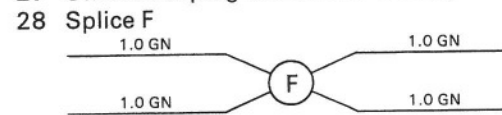
- 23 'Other than Europe' plug and socket
- 24 Splice D



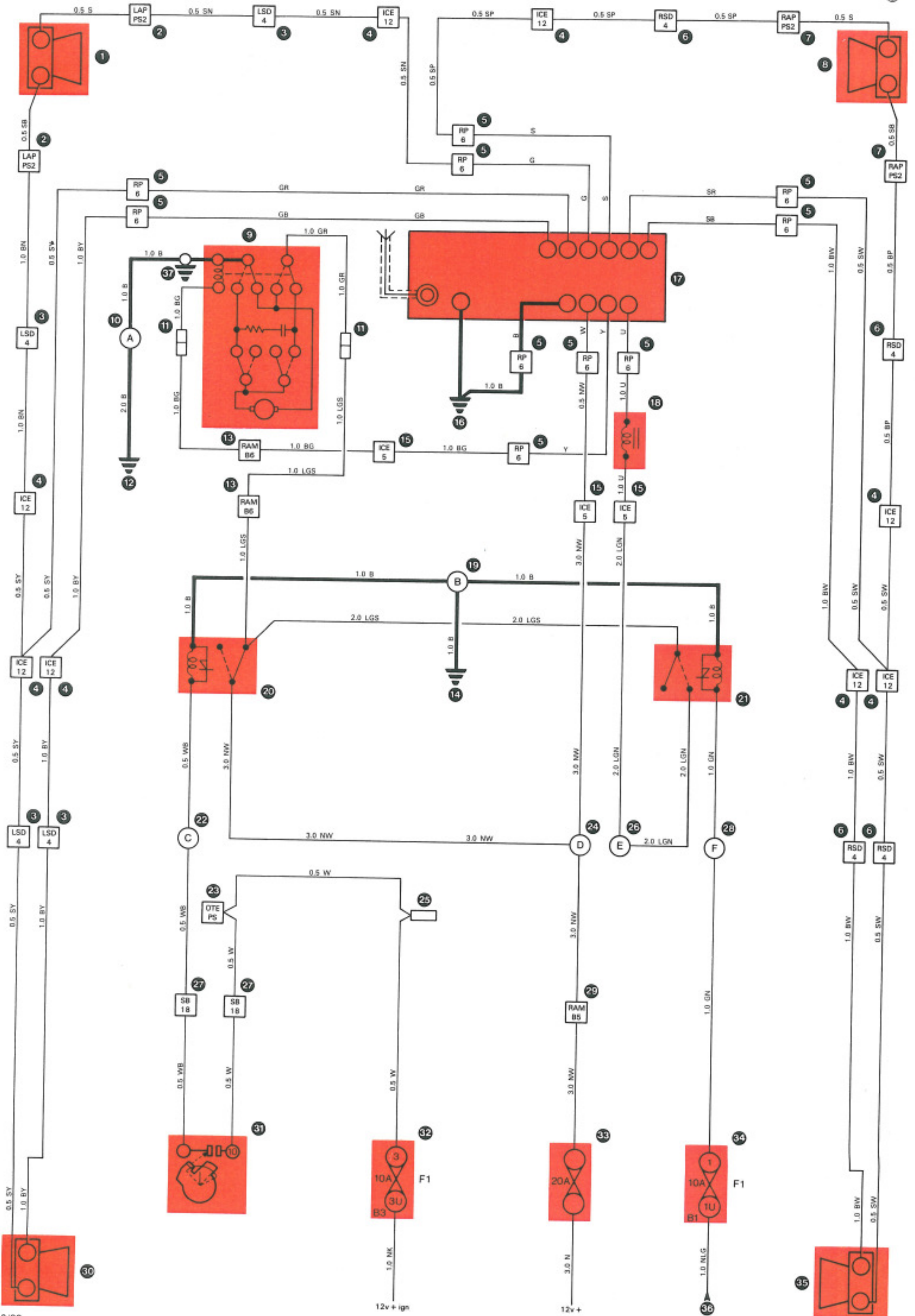
- 25 Speedometer connection – positive

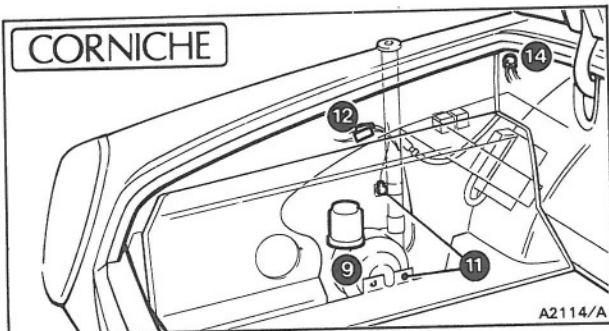
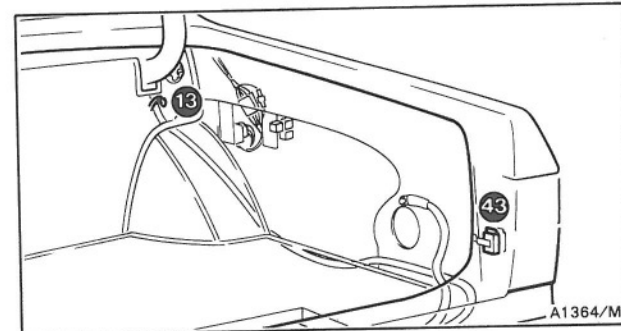
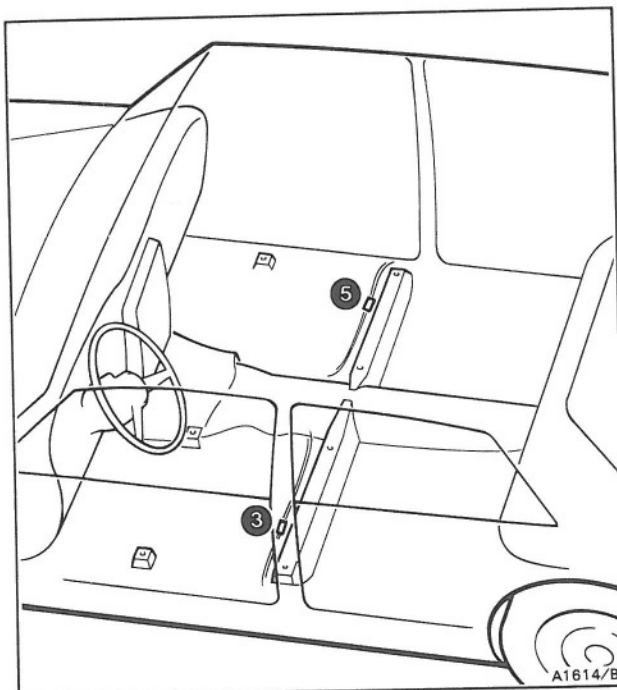
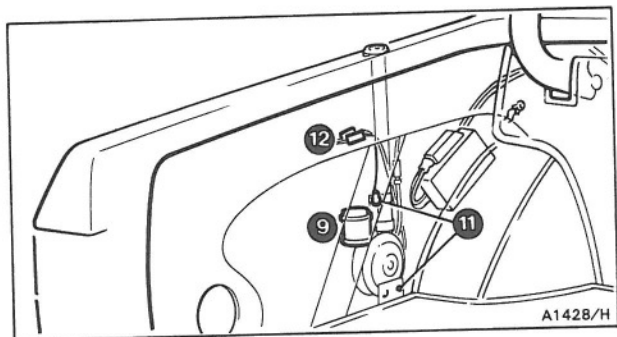
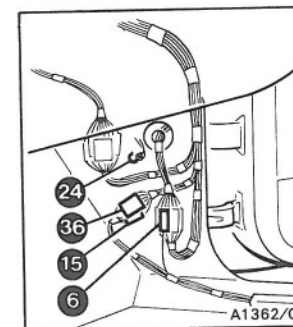
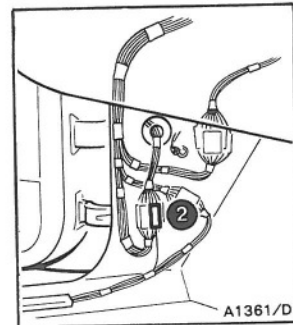
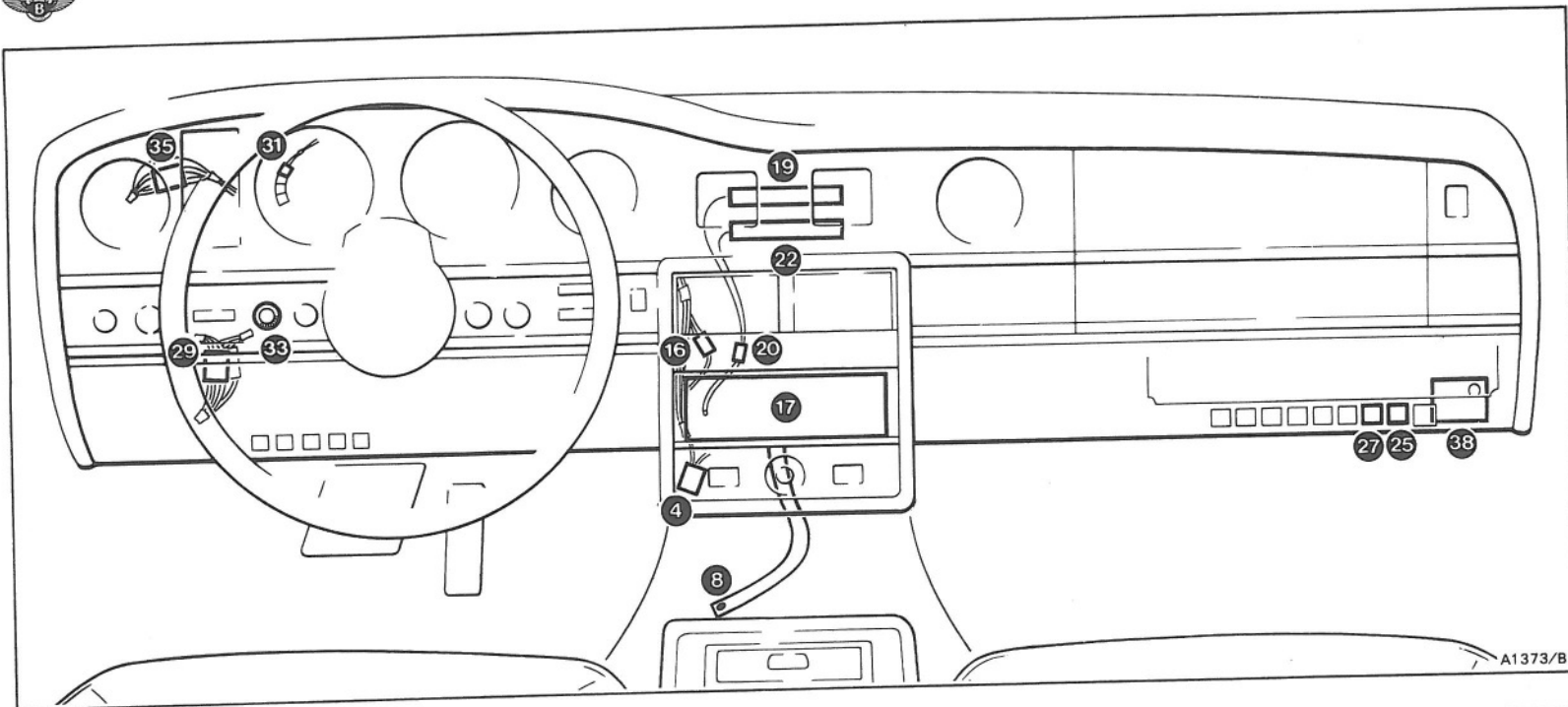


- 27 Switchbox plug and socket 18-way



- 29 Right-hand 'A' post main to body loom plug and socket 5-way
- 30 Left-hand rear speaker
- 31 Starter switch (switchbox)
- 32 Fuseboard F1, fuse B3, 10 Amp
- 33 Memory fuse, 20 Amp (luggage compartment)
- 34 Fuseboard F1, fuse B1, 10 Amp
- 35 Right-hand rear speaker
- 36 12 volts positive supply when ignition key is in the ACC or RUN position
- 37 Radio aerial earth point





Key to 25-13

- 1 Left-hand front speaker
- 2 Left-hand 'A' post plug and socket 2-way
- 3 Left-hand speakers distribution loom plug and socket 4-way
- 4 In car entertainment loom to main loom plug and socket 12-way
- 5 Right-hand speakers distribution loom plug and socket 4-way
- 6 Right-hand 'A' post plug and socket 2-way
- 7 Right-hand front speaker
- 8 Transmission tunnel earth point
- 9 Radio aerial motor
- 10 Splice A
- 11 Radio aerial earth point
- 12 Aerial connection
- 13 Luggage compartment earth point - right-hand (Four door cars only)
- 14 Luggage compartment earth point - left-hand (Two door cars only)
- 15 Right-hand 'A' post main to body loom plug and socket 6-way
- 16 In car entertainment loom to main loom plug and socket 5-way
- 17 Radio/cassette unit
- 18 Splice B
- 19 Radio/cassette unit amplifier - front speakers
- 20 Radio/cassette unit to amplifiers plug and socket
- 21 Splice C
- 22 Radio/cassette unit amplifier - rear speakers
- 23 Splice D

- 24 Right-hand 'A' post earth point
- 25 Cranking interlock relay
- 26 Splice E

- 27 Radio relay
- 28 Splice F

- 29 Outer switch panel plug and socket 12-way
- 30 Splice G
 1987 model year

- 1988 model year

- 31 Speedometer connection - positive
- 32 Splice H

- 33 Panel lamps dimming potentiometer
- 34 Splice J
 1988 model year

- 35 Switchbox plug and socket 18-way
- 36 Right-hand 'A' post main to body loom plug and socket 5-way
- 37 Splice K

- 38 Panel lamps electronic control unit
- 39 Splice L

- 40 Left-hand rear speaker
- 41 Starter switch (switchbox)
- 42 Fuseboard F1, fuse B3, 10 Amp
- 43 Memory fuse, 20 Amp (luggage compartment)
- 44 Fuseboard F1, fuse B1, 10 Amp
- 45 Lighting switch (switchbox)
- 46 Right-hand rear speaker
- 47 12 volts positive supply when ignition key is in the ACC or RUN position

Note Denotes cable route on Two door cars
 Denotes cable route on 1988 model year cars

