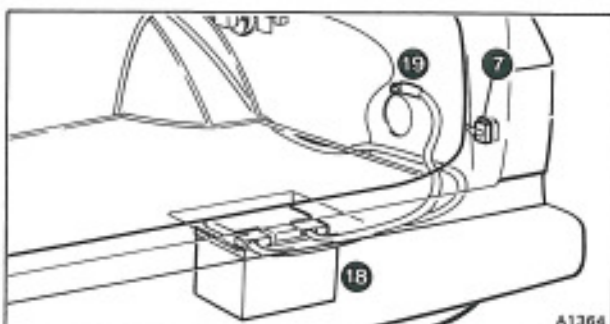
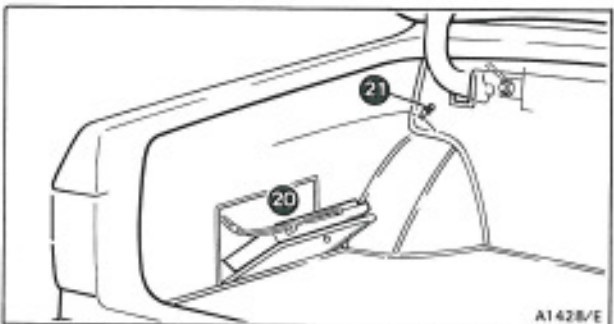
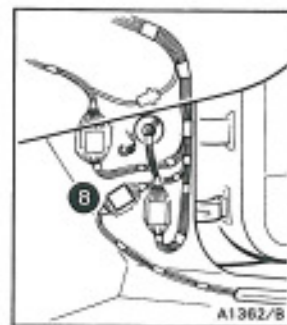
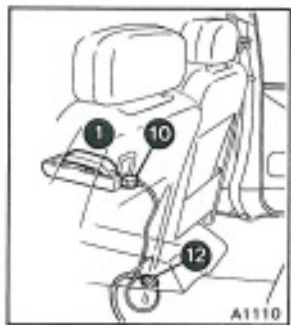
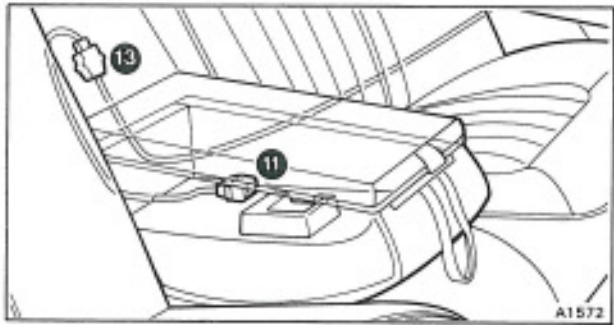
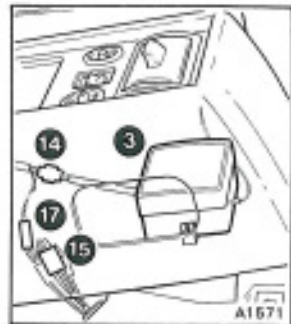




Cellular telephone

Contents	Specific application	Pages							
		Rolls-Royce		Corniche / Corniche II	Bentley Eight	Mulsanne	Mulsanne S	Turbo R	Continental
Silver Spirit	Silver Spur								
Cellular telephone									
Component location	<i>Cars conforming to a United Kingdom specification</i>	—	26-2	—	—	—	—	—	—
Wiring diagram		—	26-2	—	—	—	—	—	—
Component location	<i>Cars conforming to a North American specification</i>	—	26-2	26-3	—	—	—	—	26-3
Wiring diagram		—	26-2	26-3	—	—	—	—	26-3



Key to 26-2

- 1 Cellular telephone handset
- 2 Cellular telephone microphone
- 3 Cellular telephone speaker
- 4 Splice A
- 5 Fuseboard F1, fuse A5, 10 Amp
- 6 Fuseboard F1, fuse A3, 4 Amp
- 7 Memory fuse, 20 Amp (located in the luggage compartment)
- 8 Right-hand 'A' post main to body loom plug and socket 5-way
- 9 Cellular telephone aerial
- 10 Cellular telephone socket — front passenger seat arm rest
- 11 Cellular telephone socket — rear passenger seat centre arm rest
- 12 Cellular telephone intermediate plug and socket — front
- 13 Cellular telephone intermediate plug and socket — rear
- 14 Cellular telephone speaker plug and socket
- 15 Centre stowage compartment plug and socket 5-way
- 16 Splice B
- 17 Cellular telephone plug and socket 2-way
- 18 Battery
- 19 Battery earth point
- 20 Cellular telephone transceiver
- 21 Left-hand luggage compartment earth point
- 22 Cellular telephone microphone plug and socket

