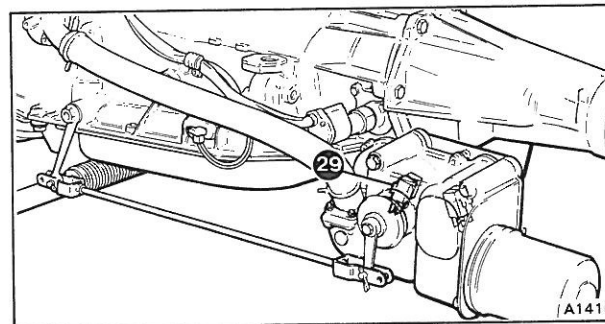
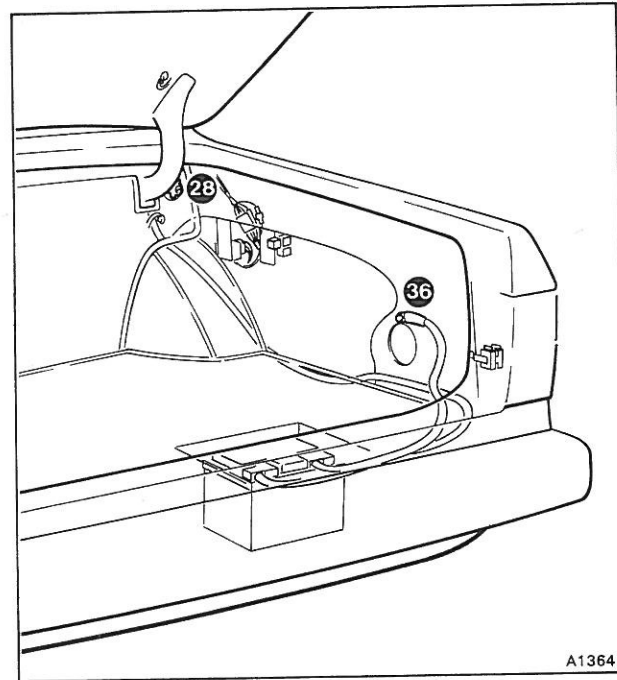
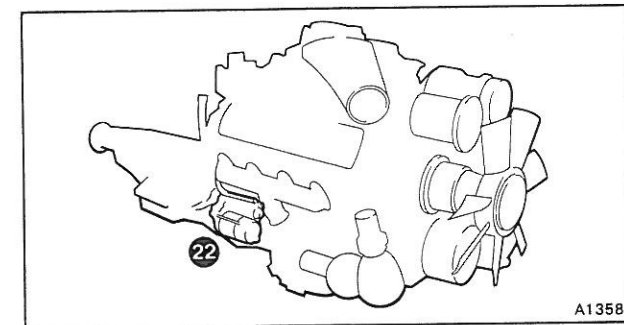
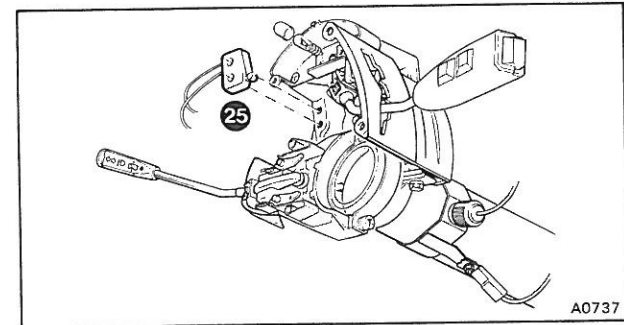
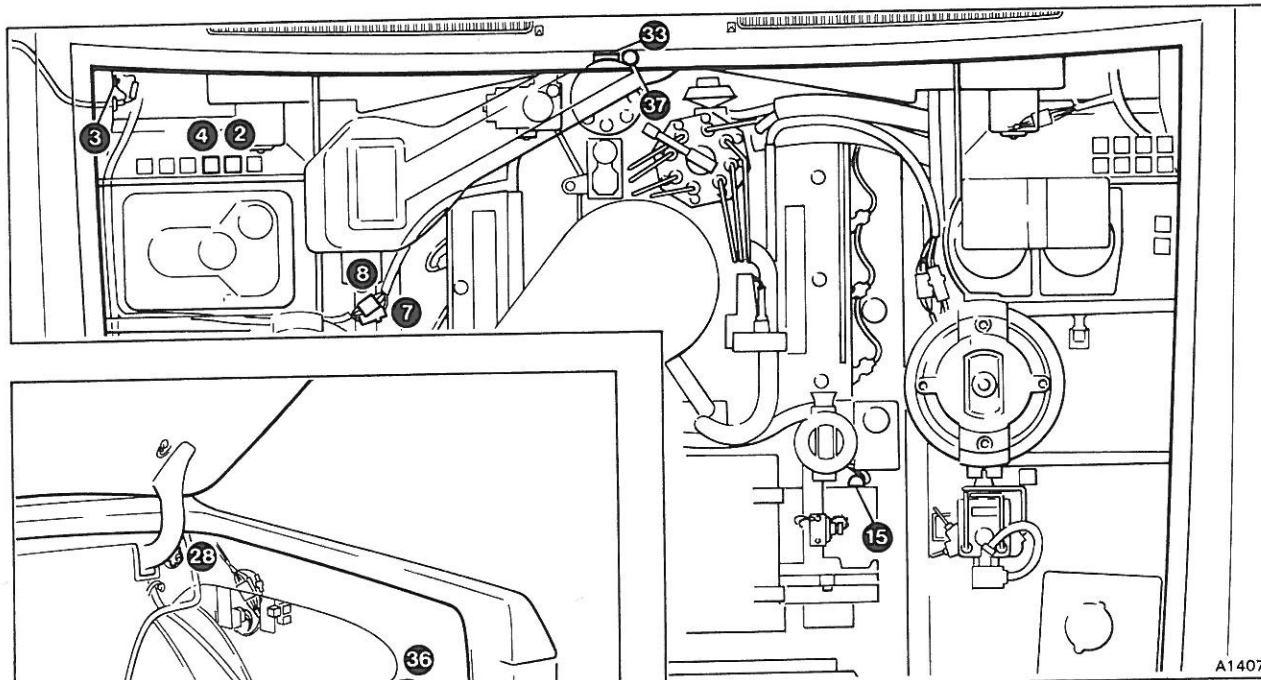
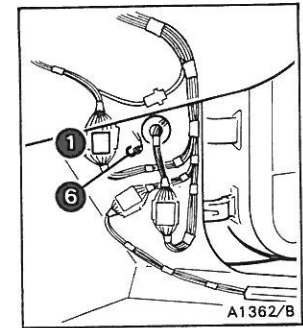
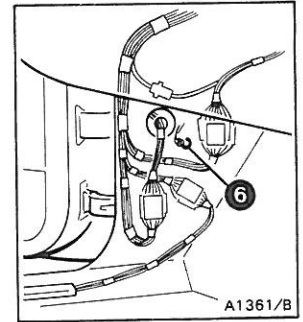
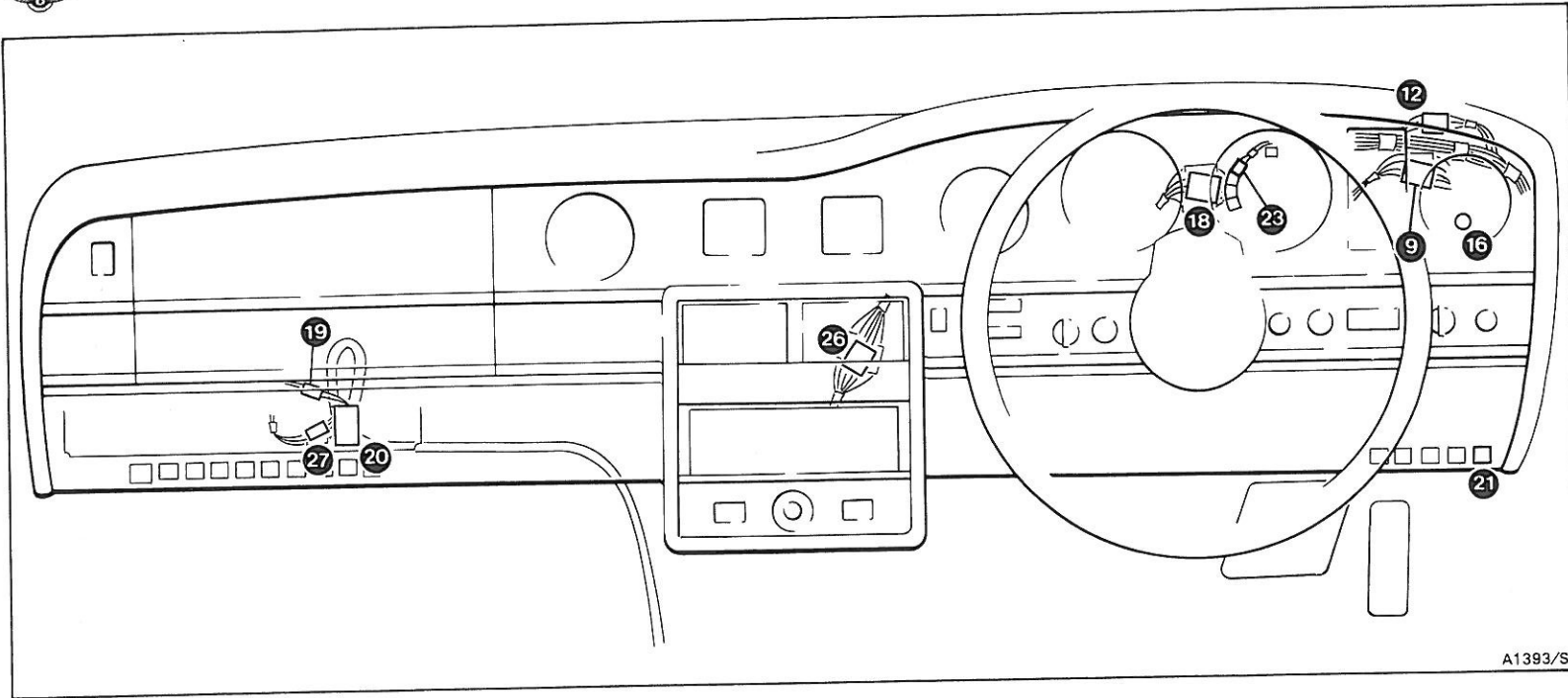




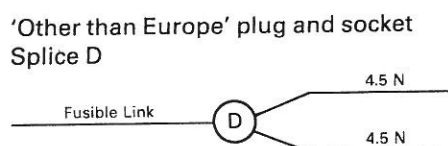
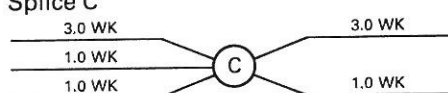
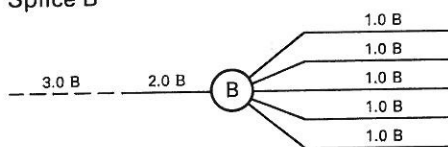
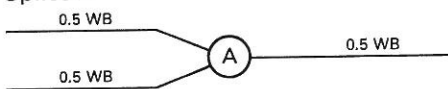
## Starting system

Contents	Specific application	Pages							
		Rolls-Royce			Bentley	Mulsanne	Mulsanne S	Turbo R	Continental
		Silver Spirit	Silver Spur	Corniche / Corniche II	Eight				
<b>Starting system</b>									
Component location	1987 model year cars	7-2	7-2	7-6	7-2	7-2	—	7-4	7-6
Wiring diagram		7-3	7-3	7-7	7-3	7-3	—	7-5	7-7
Component location	1988 model year cars	7-8	7-8	7-12	7-8	—	7-8	7-10	7-12
Wiring diagram		7-9	7-9	7-13	7-9	—	7-9	7-11	7-13

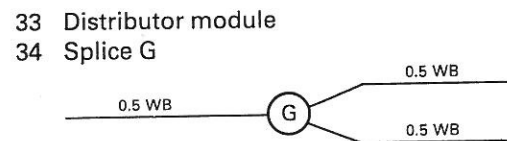
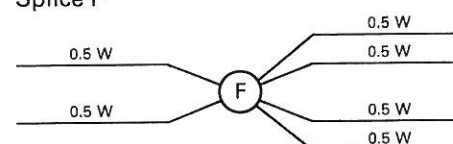
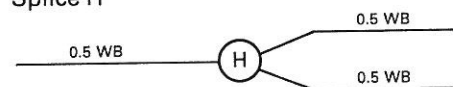
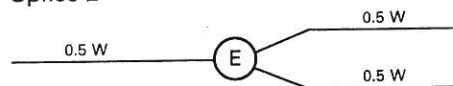


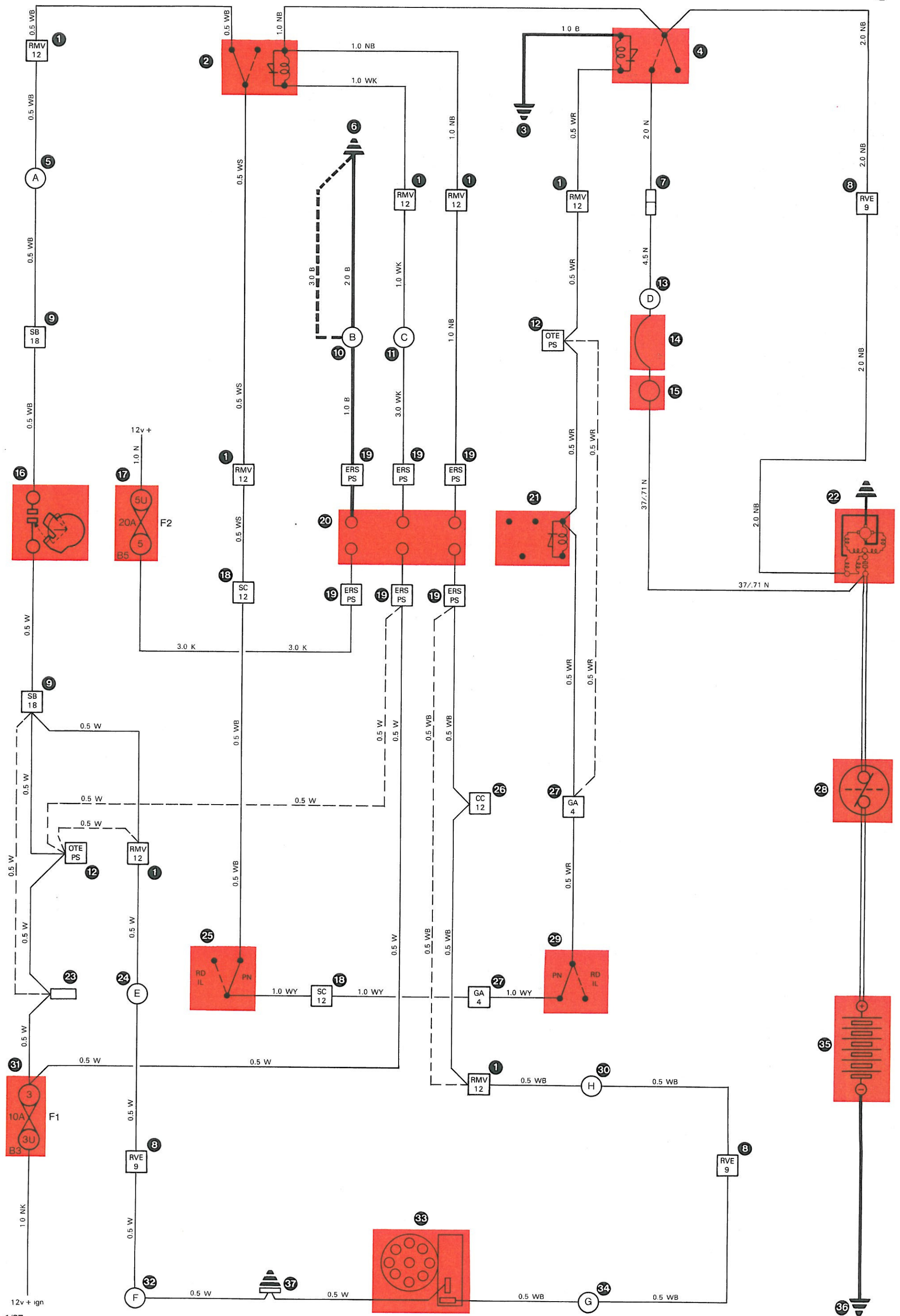
**Key to 7-3**

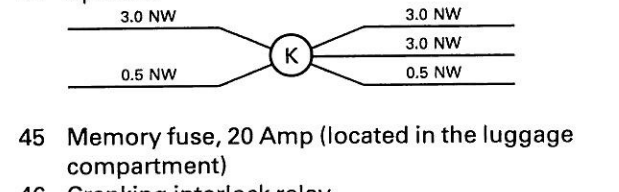
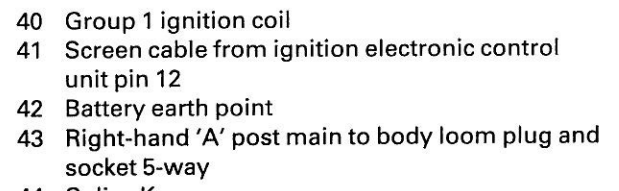
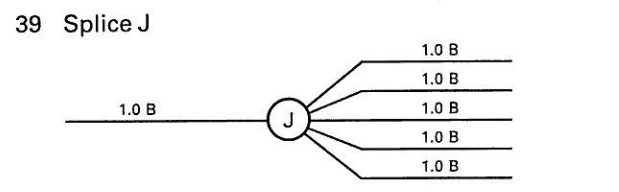
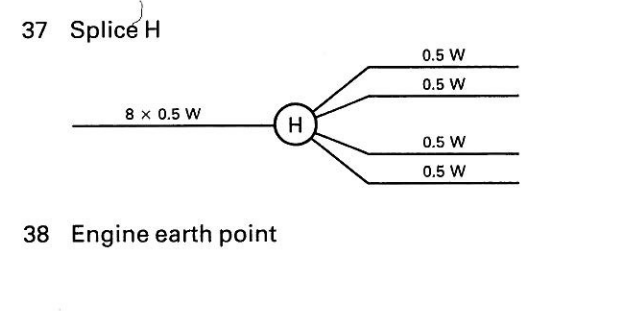
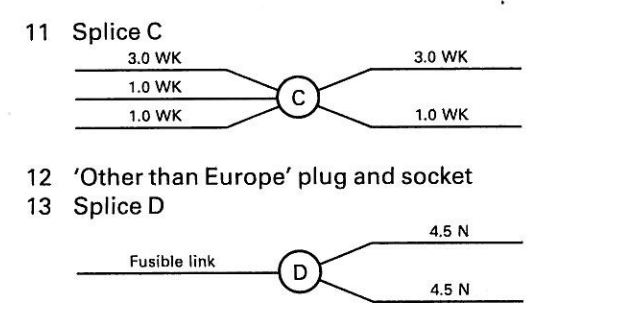
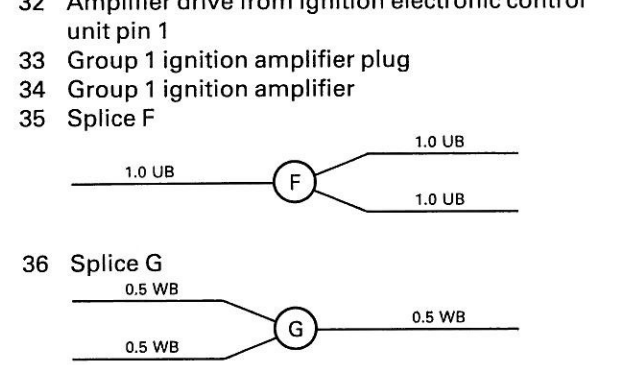
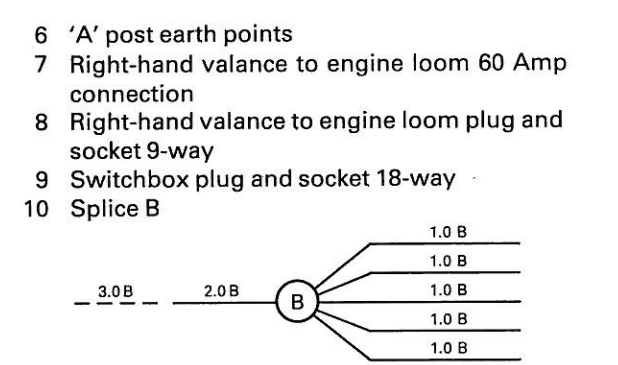
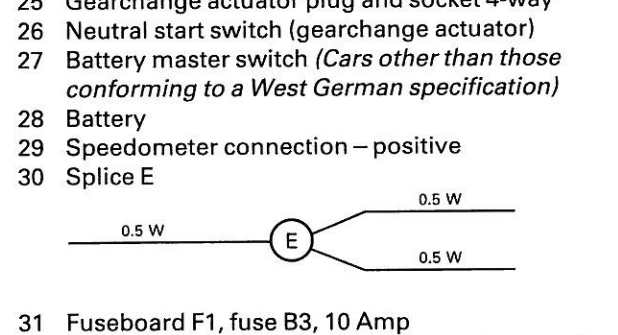
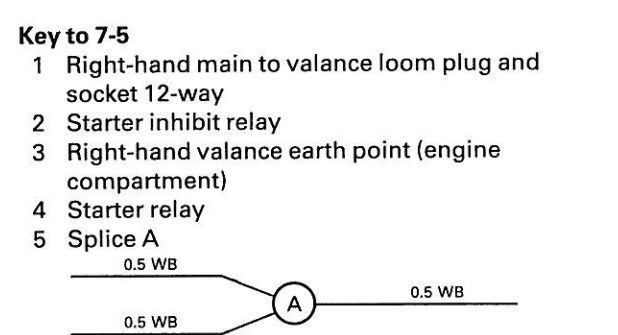
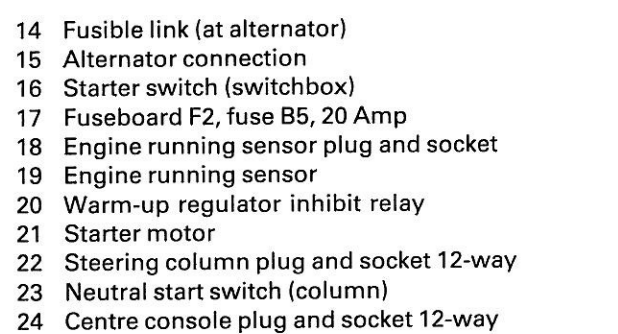
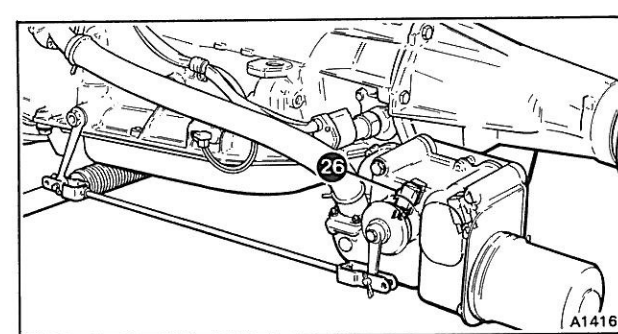
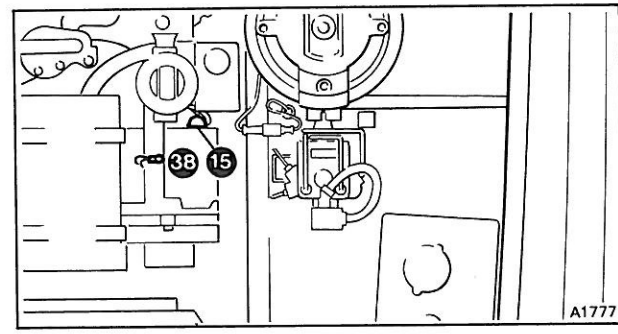
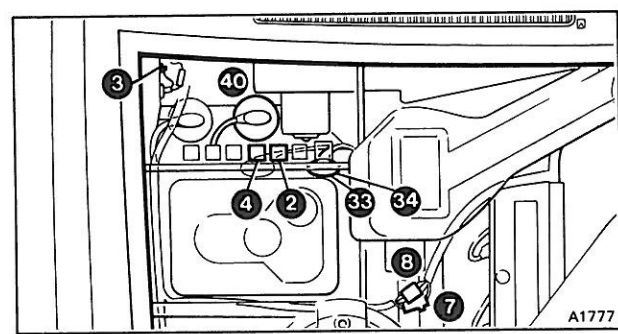
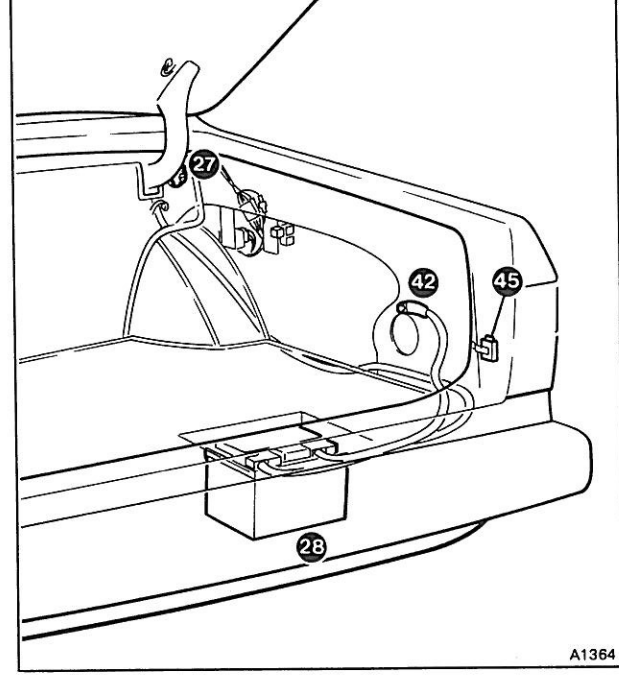
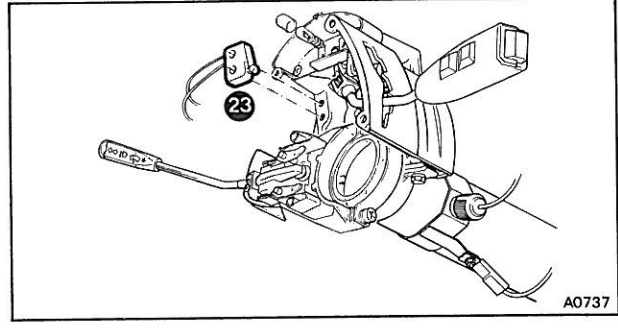
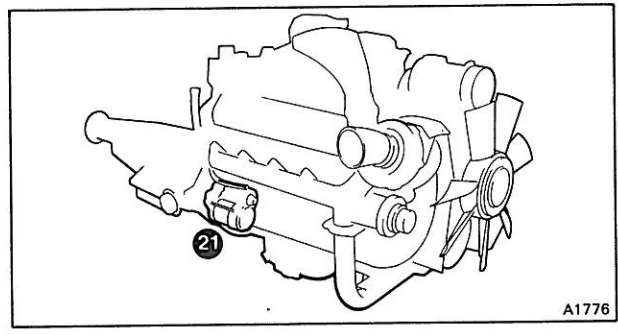
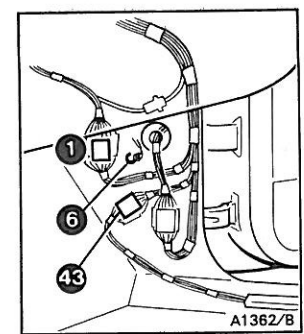
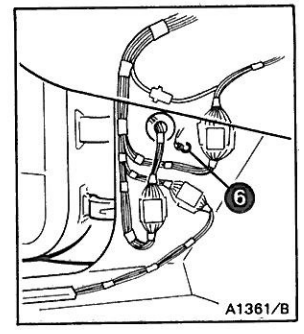
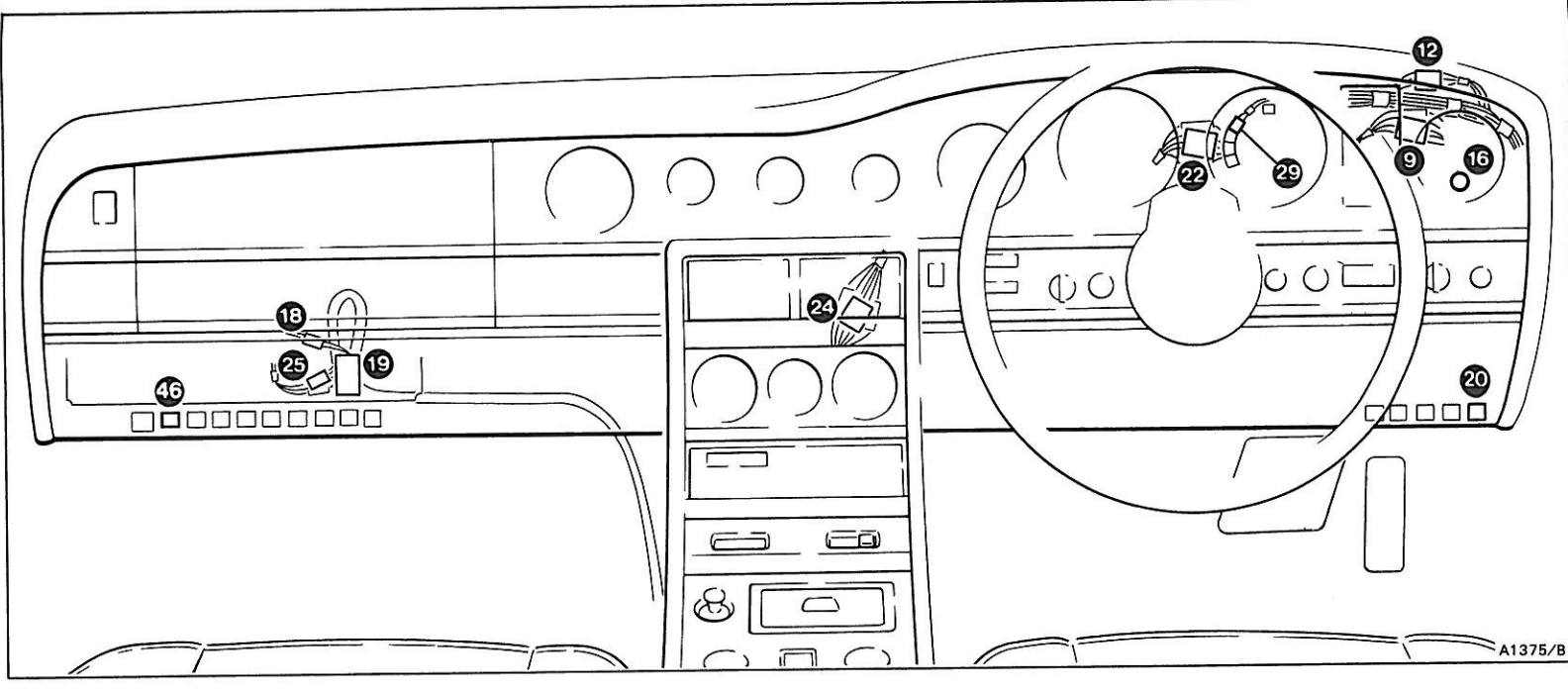
- 1 Right-hand main to valance loom plug and socket 12-way
- 2 Starter inhibit relay
- 3 Right-hand valance earth point
- 4 Starter relay
- 5 Splice A
- 6 'A' post earth points
- 7 Right-hand valance to engine loom connector 60 Amp
- 8 Right-hand valance to engine loom plug and socket 9-way
- 9 Switchbox plug and socket 18-way
- 10 Splice B
- 11 Splice C
- 12 'Other than Europe' plug and socket
- 13 Splice D



- 14 Fusible link (at alternator)
- 15 Alternator connection
- 16 Starter switch
- 17 Fuseboard F2, fuse B5, 20 Amp
- 18 Steering column plug and socket 12-way
- 19 Engine running sensor plug and socket
- 20 Engine running sensor
- 21 Warm-up regulator inhibit relay
- 22 Starter motor and solenoid
- 23 Speedometer connection — positive
- 24 Splice E
- 25 Neutral start switch (column)
- 26 Centre console plug and socket 12-way
- 27 Gearchange actuator plug and socket 4-way
- 28 Battery master switch (Cars other than those conforming to a West German specification)
- 29 Neutral start switch (gearchange actuator)
- 30 Splice H
- 31 Fuseboard F1, fuse B3, 10 Amp
- 32 Splice F
- 33 Distributor module
- 34 Splice G
- 35 Battery
- 36 Battery earth point
- 37 Distributor suppressor







**Key to 7-5**

- 1 Right-hand main to valance loom plug and socket 12-way
- 2 Starter inhibit relay
- 3 Right-hand valance earth point (engine compartment)
- 4 Starter relay
- 5 Splice A
- 6 'A' post earth points
- 7 Right-hand valance to engine loom 60 Amp connection
- 8 Right-hand valance to engine loom plug and socket 9-way
- 9 Switchbox plug and socket 18-way
- 10 Splice B

- 14 Fusible link (at alternator)
- 15 Alternator connection
- 16 Starter switch (switchbox)
- 17 Fuseboard F2, fuse B5, 20 Amp
- 18 Engine running sensor plug and socket
- 19 Engine running sensor
- 20 Warm-up regulator inhibit relay
- 21 Starter motor
- 22 Steering column plug and socket 12-way
- 23 Neutral start switch (column)
- 24 Centre console plug and socket 12-way
- 25 Gearchange actuator plug and socket 4-way
- 26 Neutral start switch (gearchange actuator)
- 27 Battery master switch (Cars other than those conforming to a West German specification)
- 28 Battery
- 29 Speedometer connection - positive
- 30 Splice E

- 39 Splice J
- 40 Group 1 ignition coil
- 41 Screen cable from ignition electronic control unit pin 12
- 42 Battery earth point
- 43 Right-hand 'A' post main to body loom plug and socket 5-way
- 44 Splice K
- 45 Memory fuse, 20 Amp (located in the luggage compartment)
- 46 Cranking interlock relay
- 47 Splice L

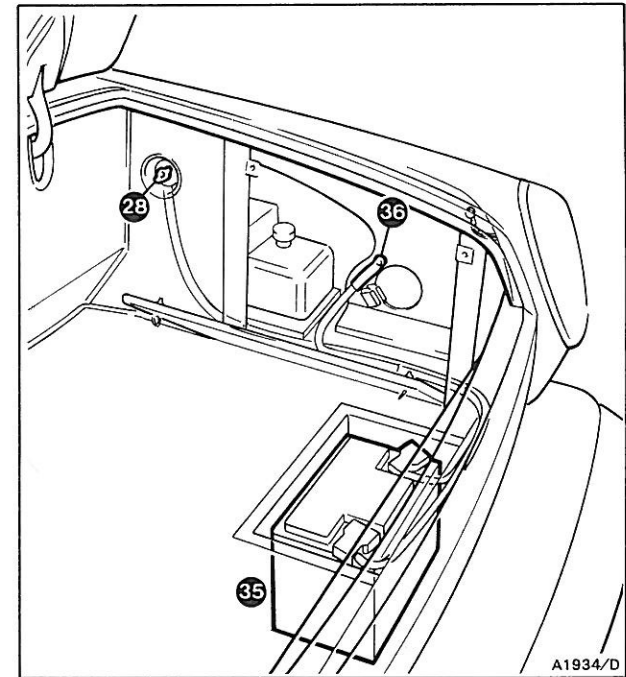
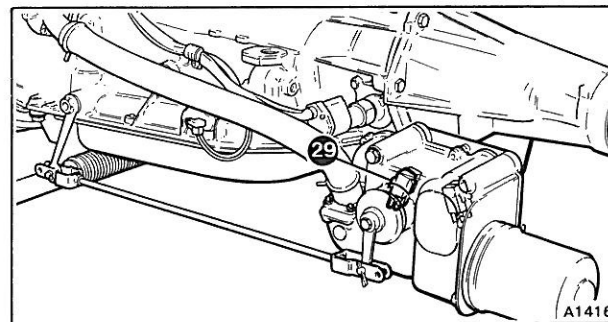
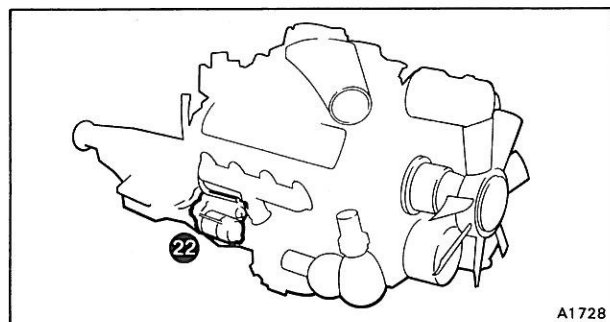
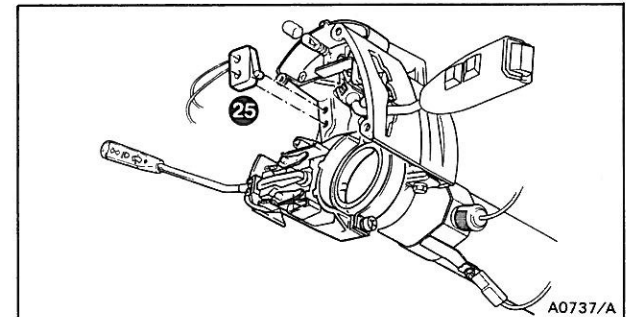
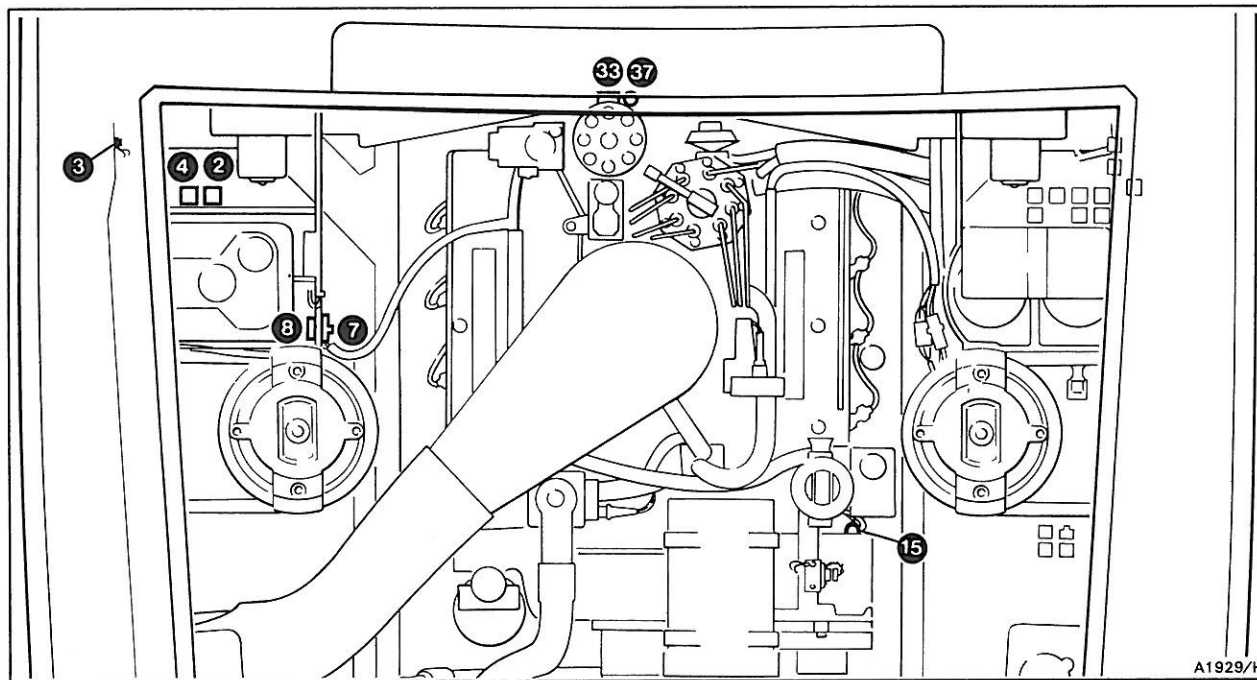
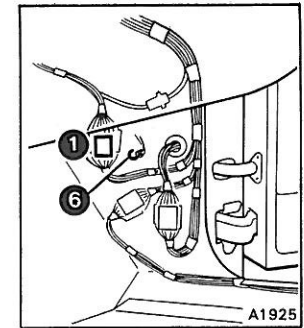
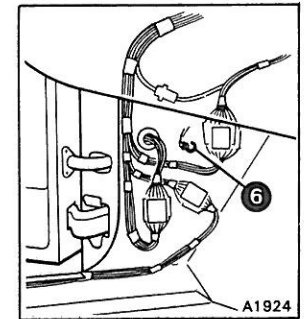
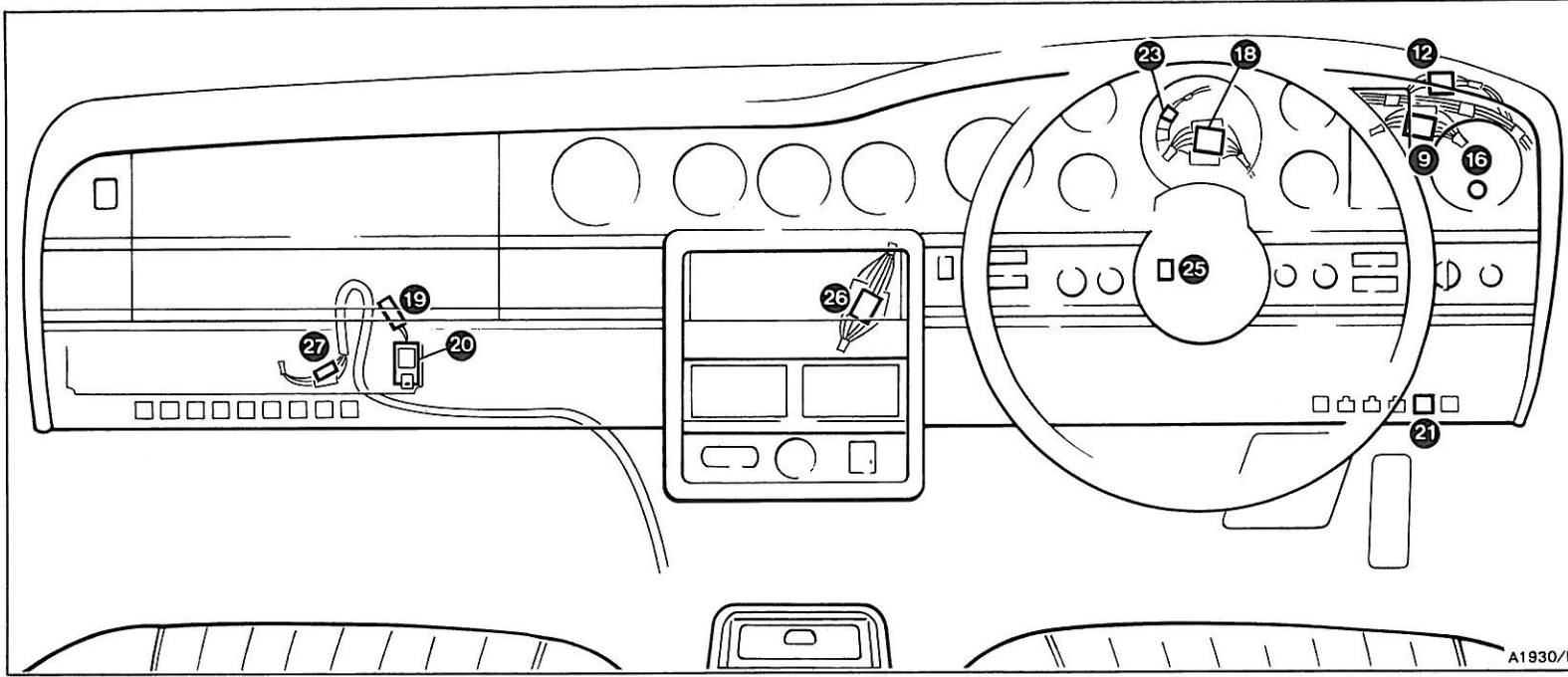
- 31 Fuseboard F1, fuse B3, 10 Amp
- 32 Amplifier drive from ignition electronic control unit pin 1
- 33 Group 1 ignition amplifier plug
- 34 Group 1 ignition amplifier
- 35 Splice F

- 36 Splice G

- 37 Splice H

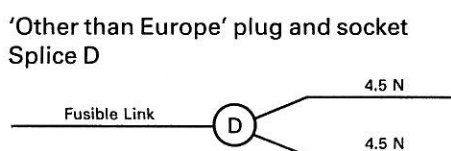
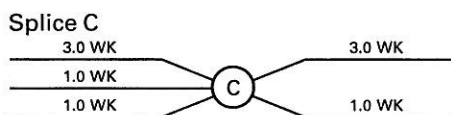
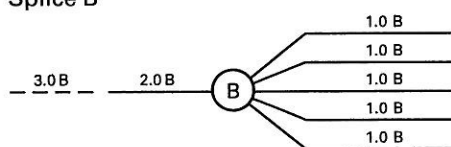
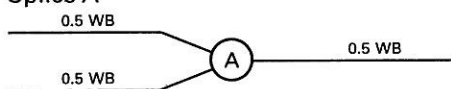
- 38 Engine earth point



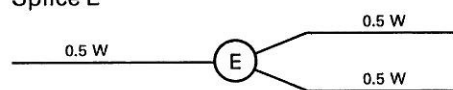


**Key to 7-7**

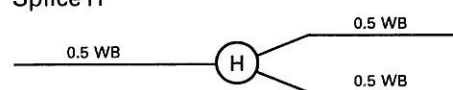
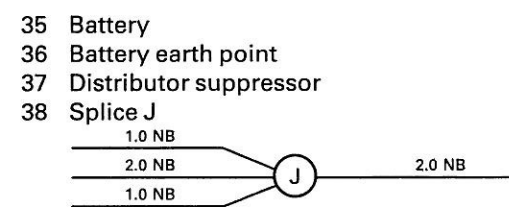
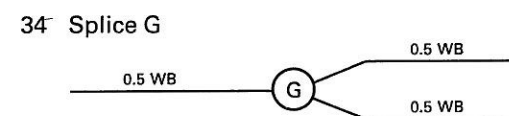
- 1 Right-hand main to valance loom plug and socket 12-way
- 2 Starter inhibit relay
- 3 Right-hand valance earth point
- 4 Starter relay
- 5 Splice A
- 6 'A' post earth points
- 7 Right-hand valance to engine loom 60 Amp connection
- 8 Right-hand valance to engine loom plug and socket 9-way
- 9 Switchbox plug and socket 18-way
- 10 Splice B
- 11 Splice C
- 12 'Other than Europe' plug and socket
- 13 Splice D



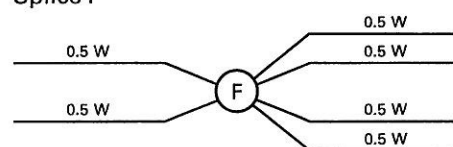
- 14 Fusible link (at alternator)
- 15 Alternator connection
- 16 Starter switch (switchbox)
- 17 Fuseboard F2, fuse B5, 20 Amp
- 18 Steering column plug and socket 12-way
- 19 Engine running sensor plug and socket
- 20 Engine running sensor
- 21 Warm-up regulator inhibit relay
- 22 Starter motor and solenoid
- 23 Speedometer connection - positive
- 24 Splice E
- 25 Neutral start switch (column)
- 26 Centre console plug and socket 12-way
- 27 Gearchange actuator plug and socket 4-way
- 28 Battery master switch (Cars other than those conforming to a West German specification)
- 29 Neutral start switch (gearchange actuator)
- 30 Splice H
- 31 Fuseboard F1, fuse B3, 10 Amp
- 32 Splice F
- 33 Distributor module



- 34 Splice G
- 35 Battery
- 36 Battery earth point
- 37 Distributor suppressor
- 38 Splice J

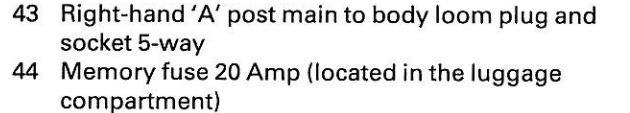
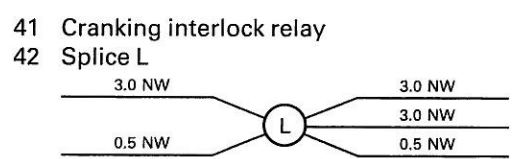
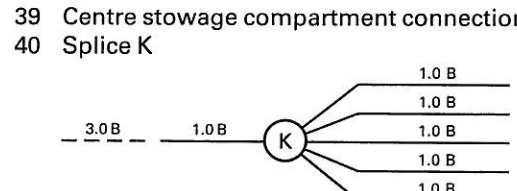
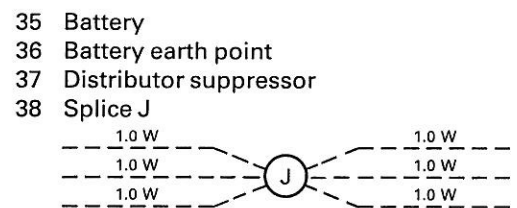
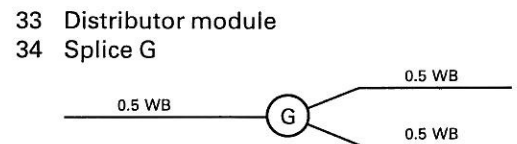
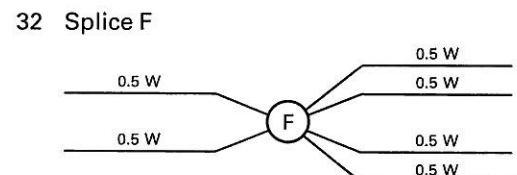
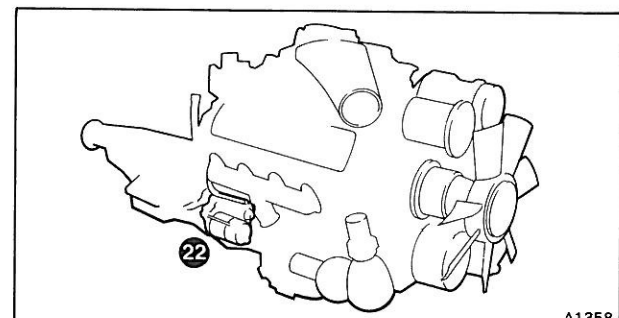
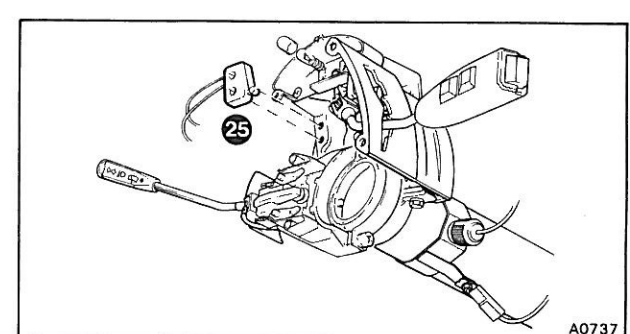
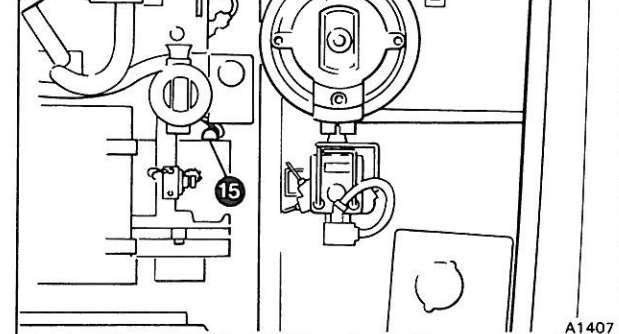
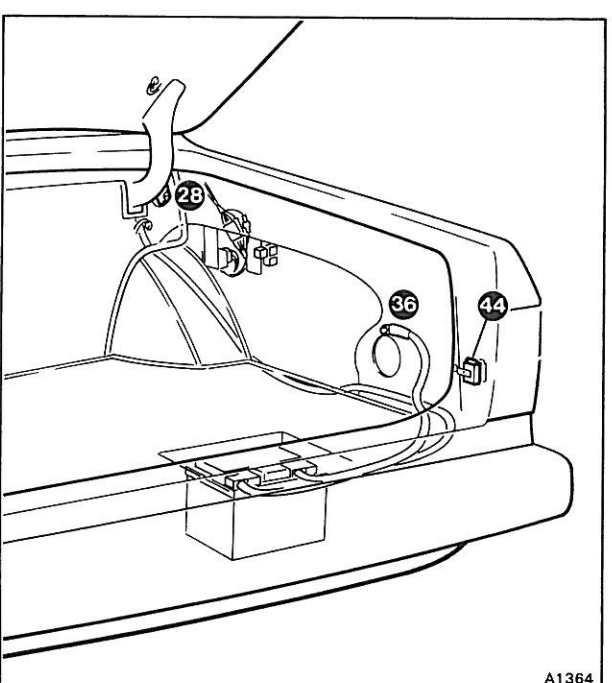
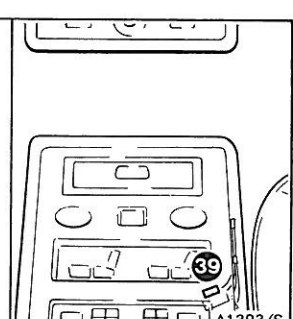
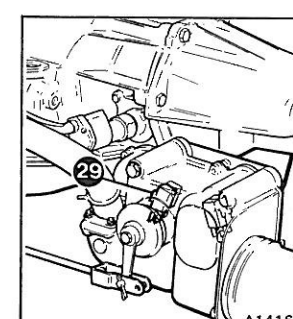
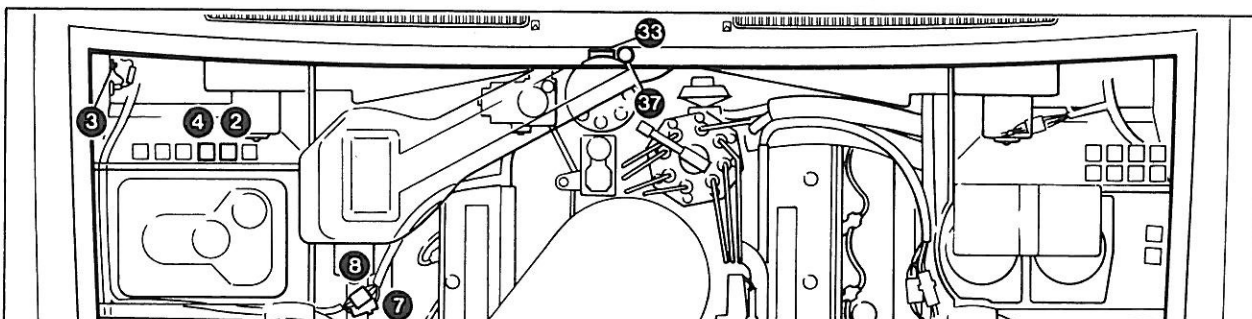
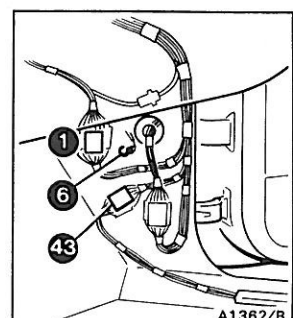
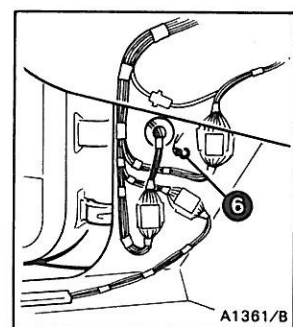
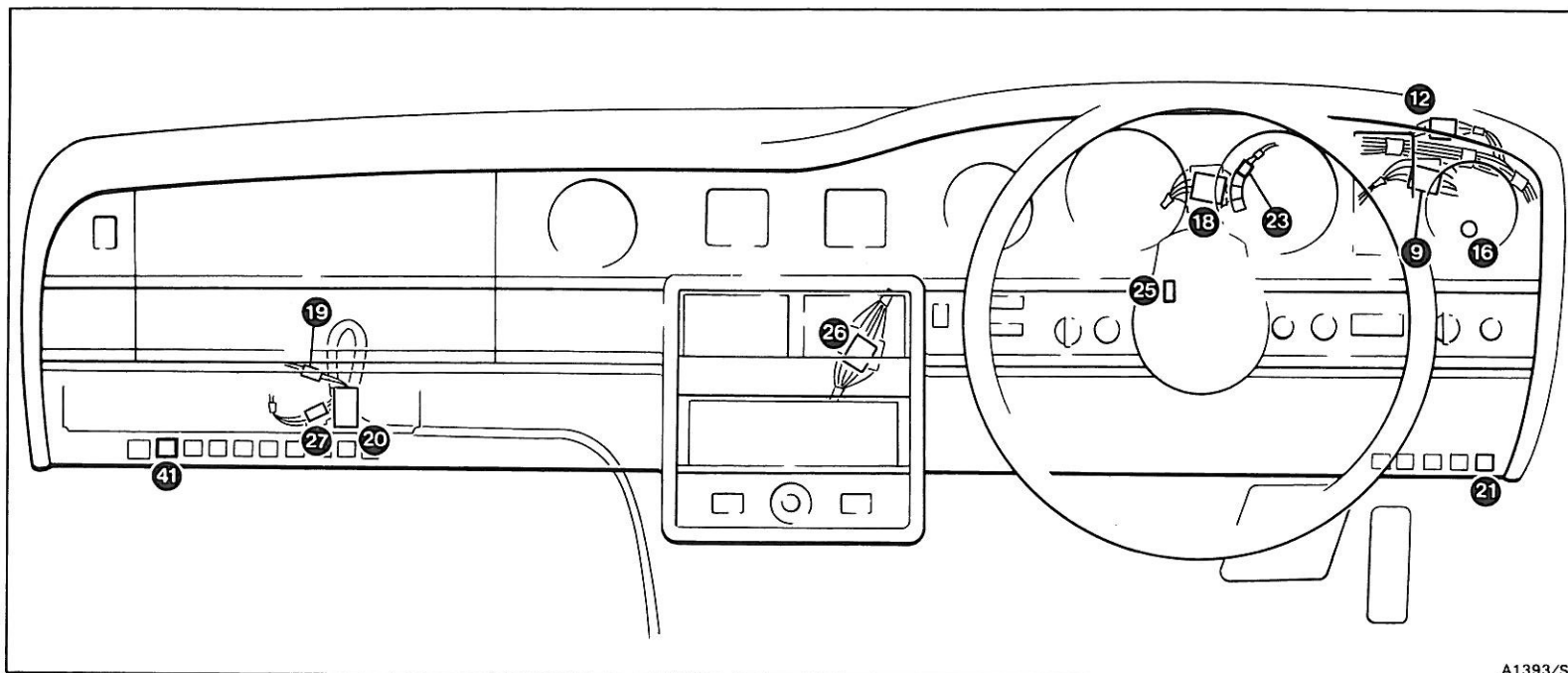


- 31 Fuseboard F1, fuse B3, 10 Amp
- 32 Splice F



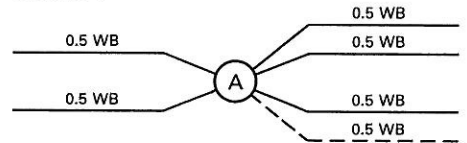
- 33 Distributor module



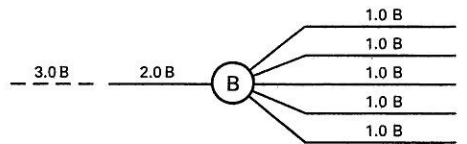


**Key to 7-9**

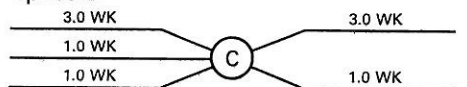
- 1 Right-hand main to valance loom plug and socket 12-way
- 2 Starter inhibit relay
- 3 Right-hand valance earth point
- 4 Starter relay
- 5 Splice A



- 6 'A' post earth points
- 7 Right-hand valance to engine loom 60 Amp connection
- 8 Right-hand valance to engine loom plug and socket 9-way
- 9 Switchbox plug and socket 18-way
- 10 Splice B

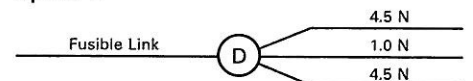


**11 Splice C**

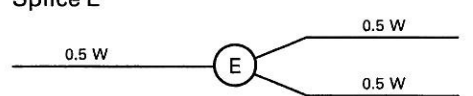


**12 'Other than Europe' plug and socket**

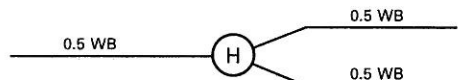
**13 Splice D**



- 14 Fusible link (at alternator)
- 15 Alternator connection
- 16 Starter switch (switchbox)
- 17 Fuseboard F2, fuse B5, 20 Amp
- 18 Steering column plug and socket 12-way
- 19 Engine running sensor plug and socket
- 20 Engine running sensor
- 21 Warm-up regulator inhibit relay
- 22 Starter motor and solenoid
- 23 Speedometer connection - positive
- 24 Splice E

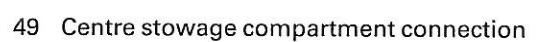
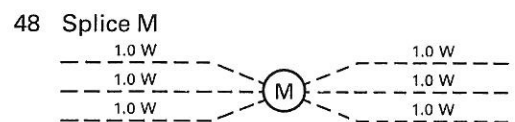
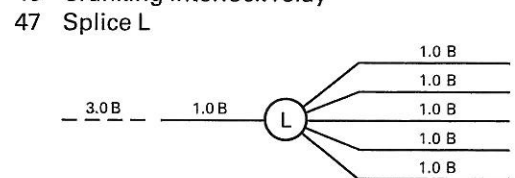
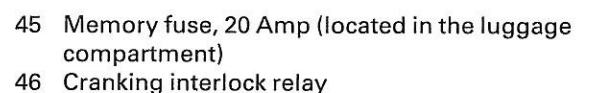
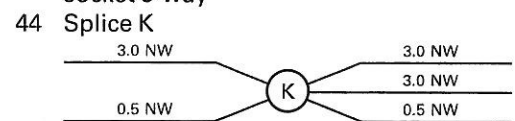
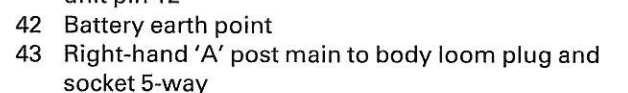
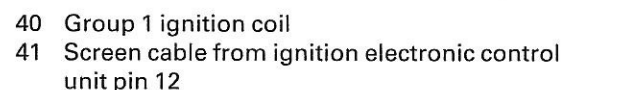
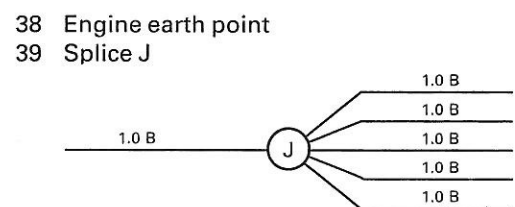
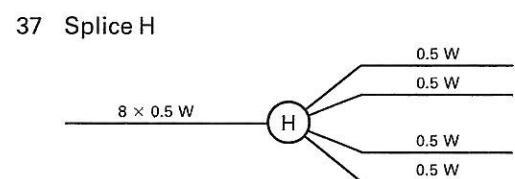
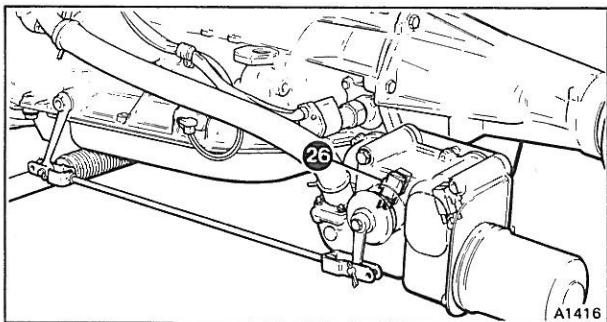
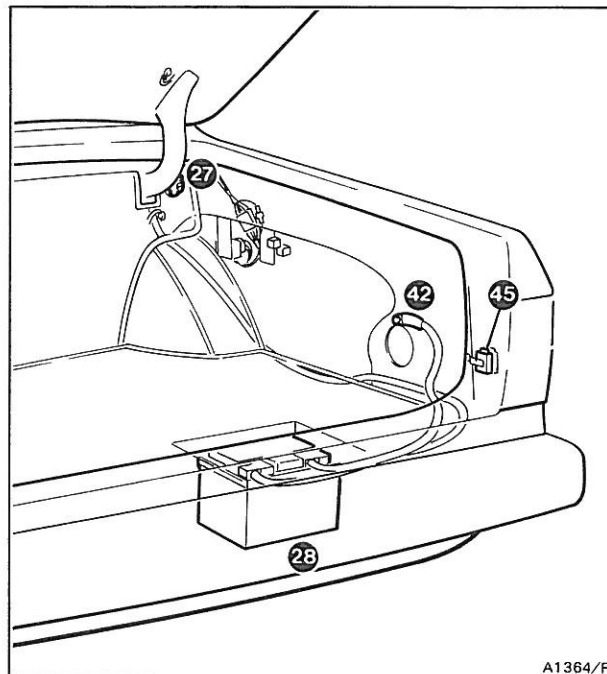
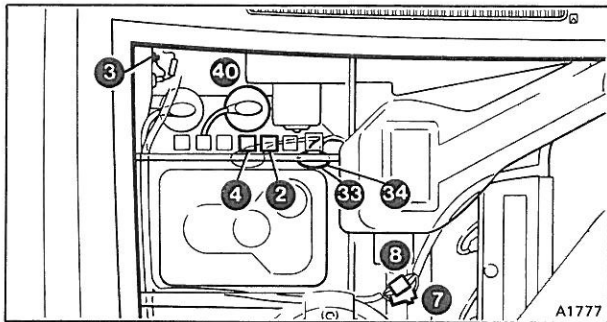
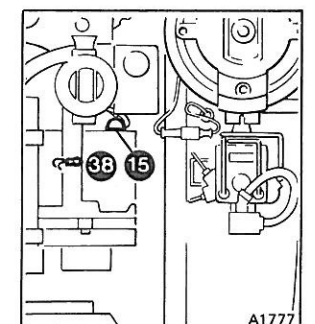
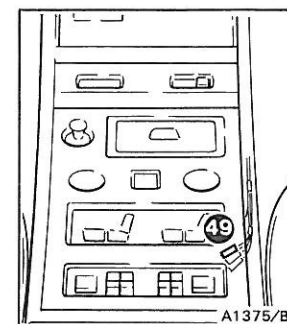
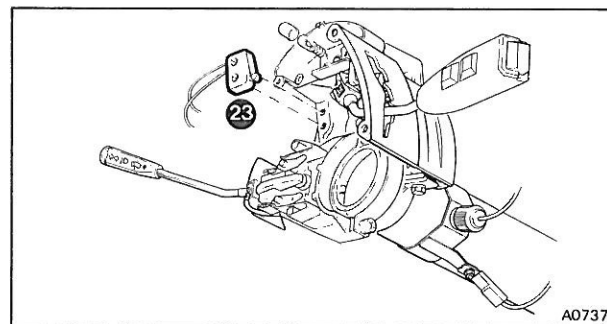
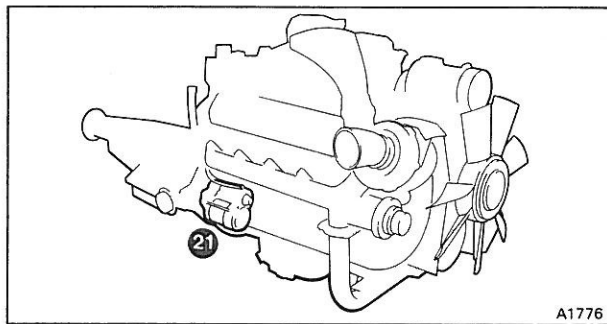
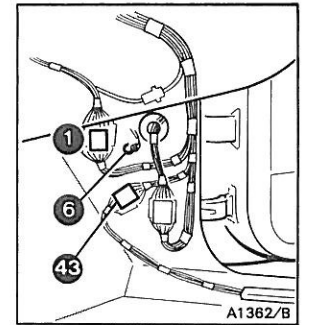
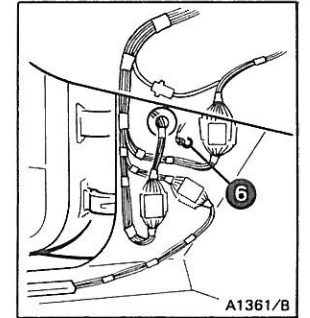
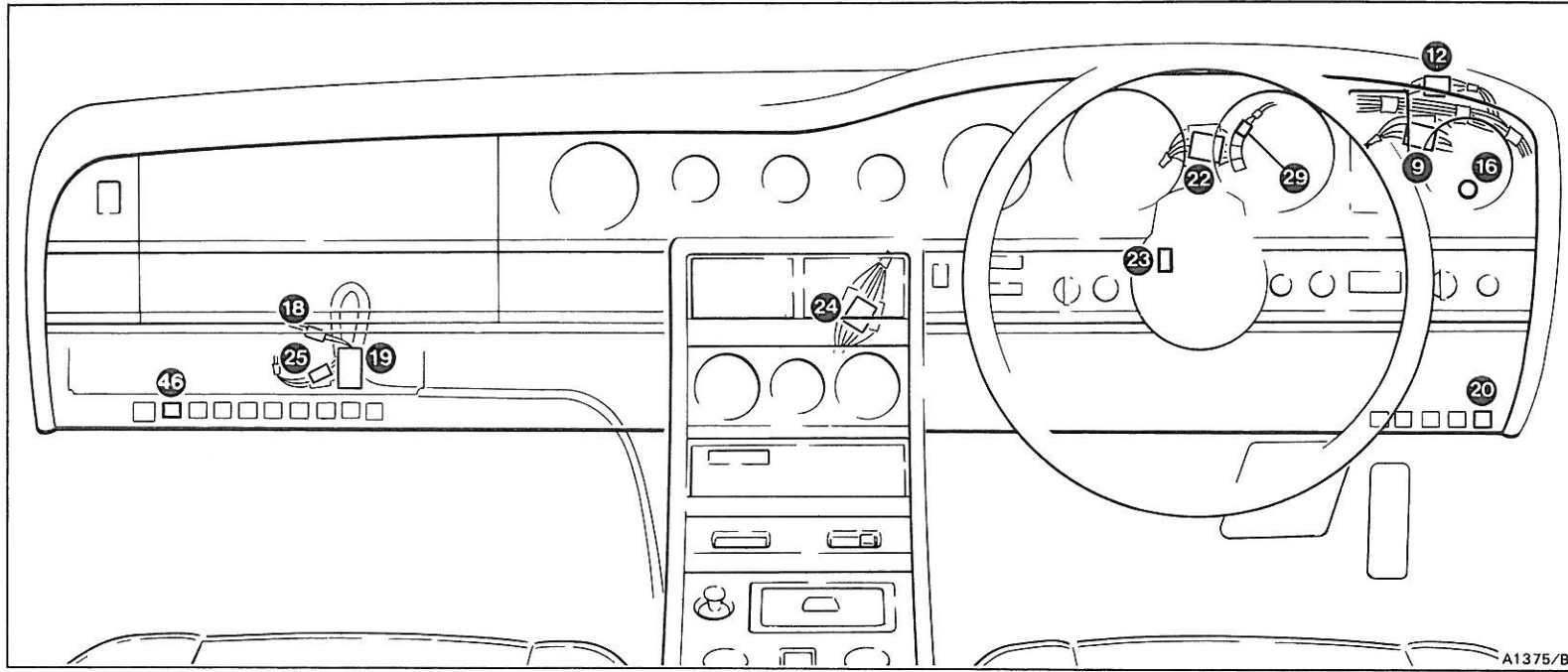


- 25 Neutral start switch (column)
- 26 Centre console plug and socket 12-way
- 27 Gearchange actuator plug and socket 4-way
- 28 Battery master switch (Cars other than those conforming to a West German specification)
- 29 Neutral start switch (gearchange actuator)
- 30 Splice H



**31 Fuseboard F1, fuse B3, 10 Amp**

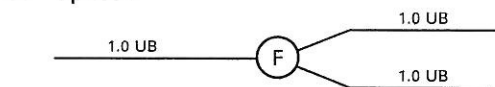


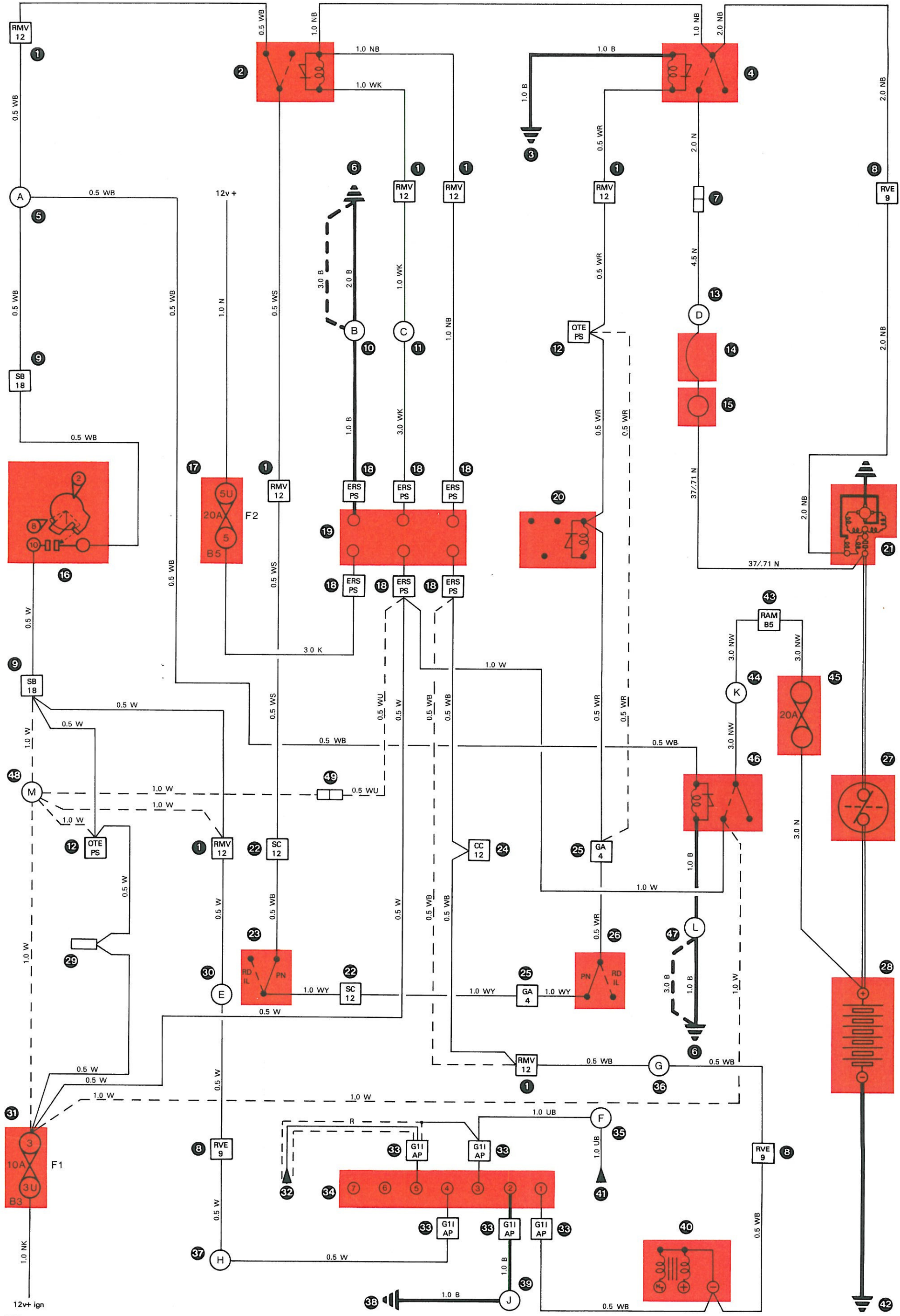


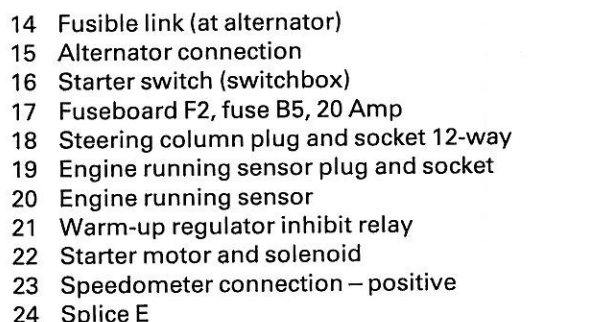
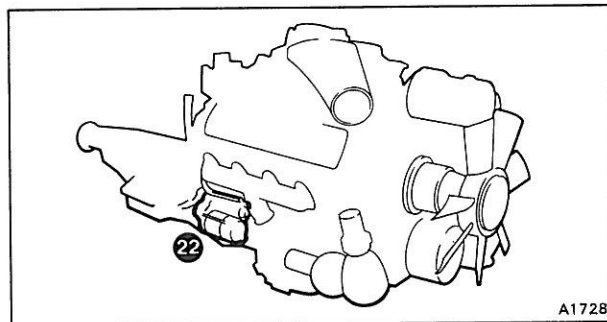
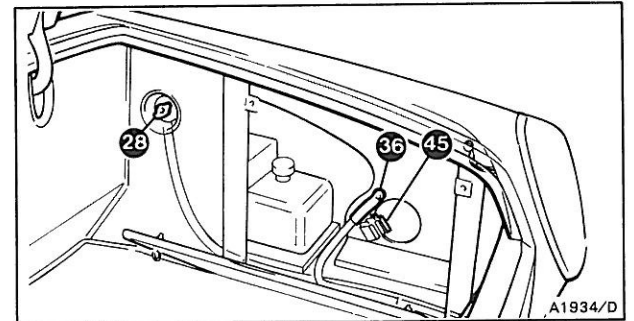
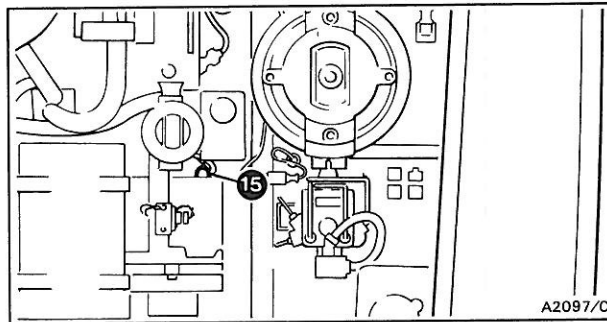
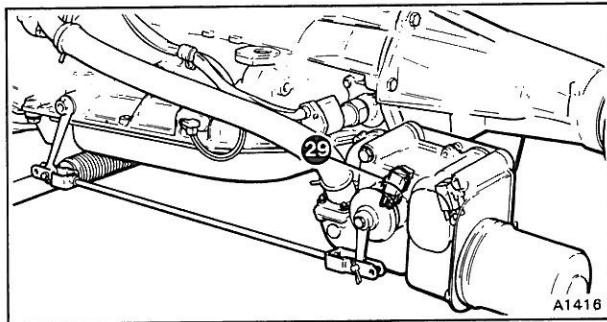
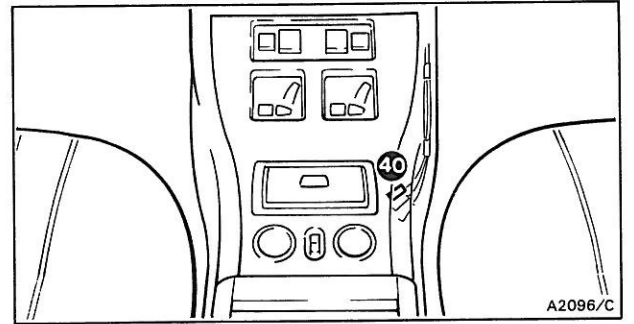
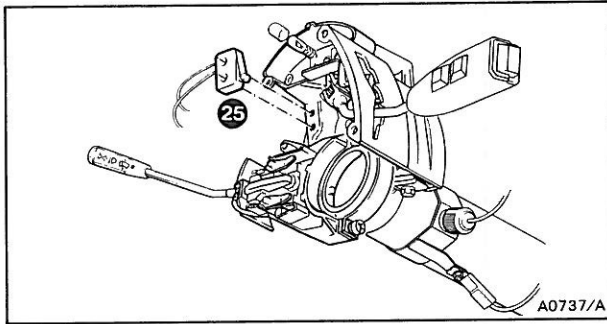
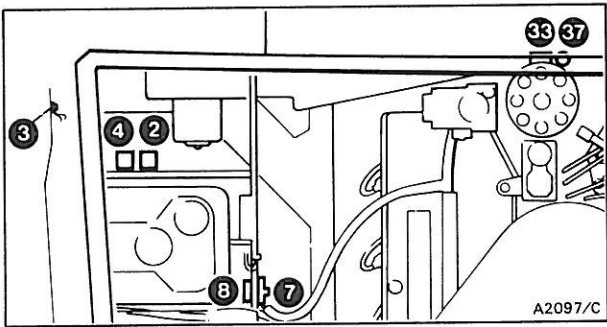
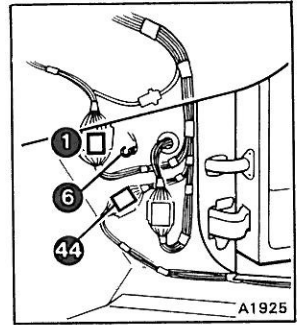
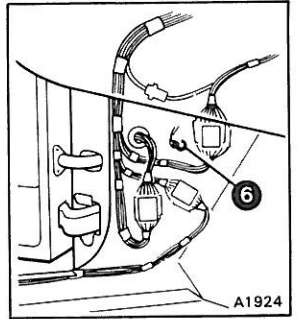
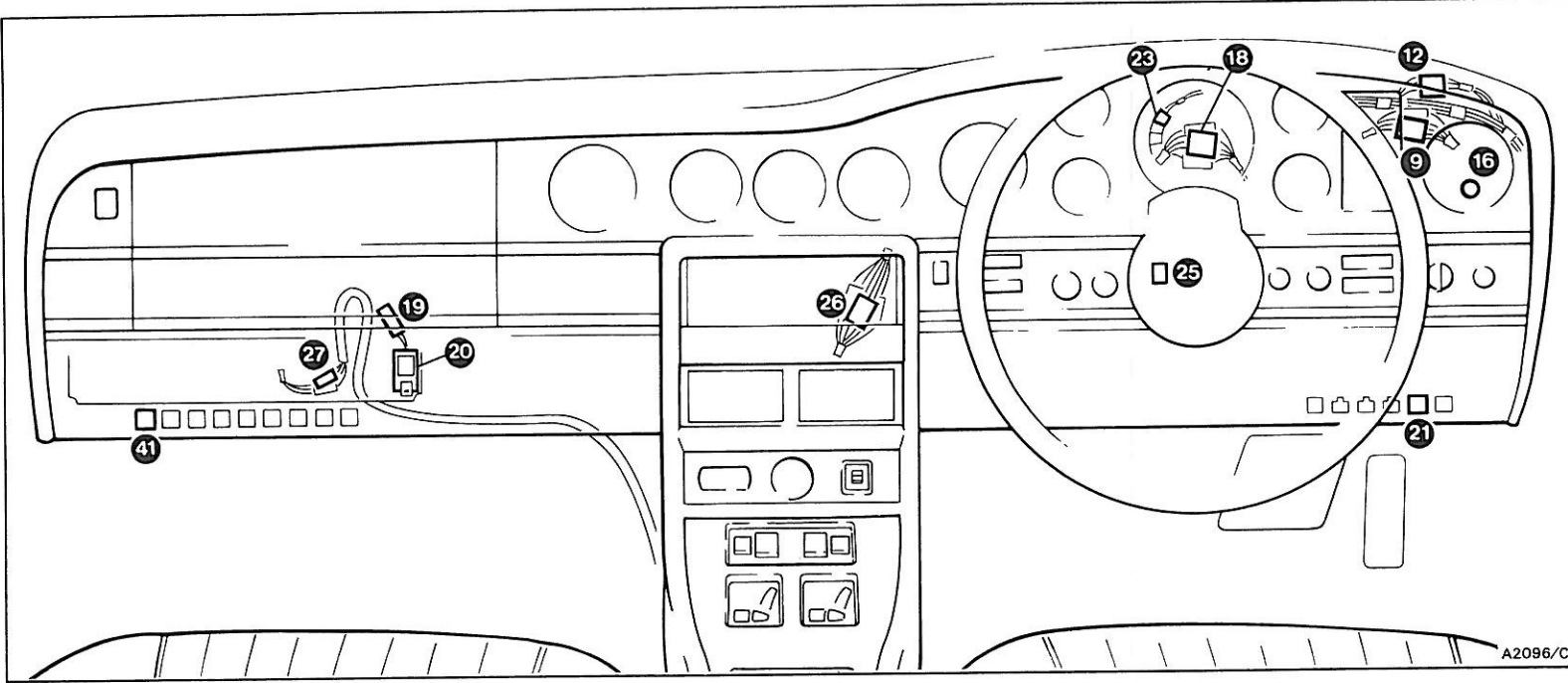
**Key to 7-11**

- 1 Right-hand main to valance loom plug and socket 12-way
  - 2 Starter inhibit relay
  - 3 Right-hand valance earth point (engine compartment)
  - 4 Starter relay
  - 5 Splice A
- 
- 6 'A' post earth points
  - 7 Right-hand valance to engine loom 60 Amp connection
  - 8 Right-hand valance to engine loom plug and socket 9-way
  - 9 Switchbox plug and socket 18-way
  - 10 Splice B
- 
- 11 Splice C
- 
- 12 'Other than Europe' plug and socket
  - 13 Splice D
- 

- 14 Fusible link (at alternator)
  - 15 Alternator connection
  - 16 Starter switch (switchbox)
  - 17 Fuseboard F2, fuse B5, 20 Amp
  - 18 Engine running sensor plug and socket
  - 19 Engine running sensor
  - 20 Warm-up regulator inhibit relay
  - 21 Starter motor
  - 22 Steering column plug and socket 12-way
  - 23 Neutral start switch (column)
  - 24 Centre console plug and socket 12-way
  - 25 Gearchange actuator plug and socket 4-way
  - 26 Neutral start switch (gearchange actuator)
  - 27 Battery master switch (Cars other than those conforming to a West German specification)
  - 28 Battery
  - 29 Speedometer connection – positive
  - 30 Splice E
- 
- 31 Fuseboard F1, fuse B3, 10 Amp
  - 32 Amplifier drive from ignition electronic control unit pin 1
  - 33 Group 1 ignition amplifier plug
  - 34 Group 1 ignition amplifier
  - 35 Splice F

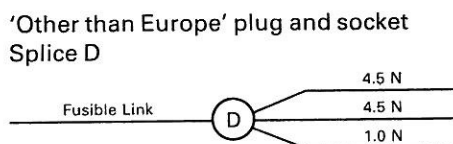
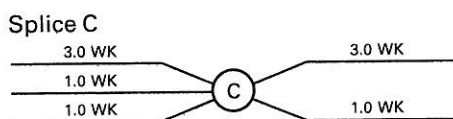
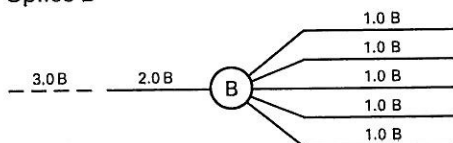
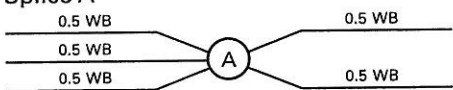




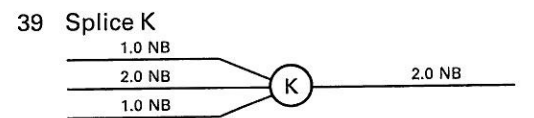
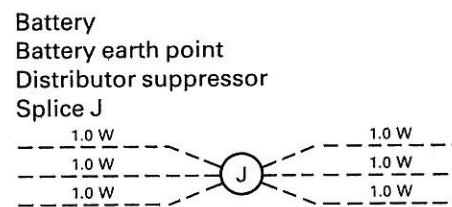
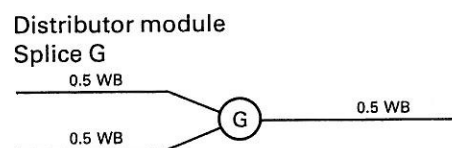
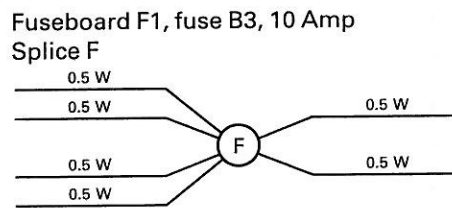
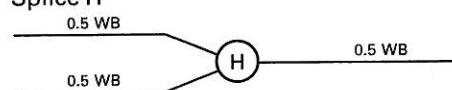
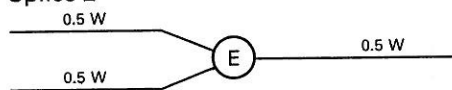


**Key to 7-13**

- 1 Right-hand main to valance loom plug and socket 12-way
- 2 Starter inhibit relay
- 3 Right-hand valance earth point
- 4 Starter relay
- 5 Splice A
- 6 'A' post earth points
- 7 Right-hand valance to engine loom 60 Amp connection
- 8 Right-hand valance to engine loom plug and socket 9-way
- 9 Switchbox plug and socket 18-way
- 10 Splice B
- 11 Splice C
- 12 'Other than Europe' plug and socket
- 13 Splice D



- 14 Fusible link (at alternator)
- 15 Alternator connection
- 16 Starter switch (switchbox)
- 17 Fuseboard F2, fuse B5, 20 Amp
- 18 Steering column plug and socket 12-way
- 19 Engine running sensor plug and socket
- 20 Engine running sensor
- 21 Warm-up regulator inhibit relay
- 22 Starter motor and solenoid
- 23 Speedometer connection – positive
- 24 Splice E
- 25 Neutral start switch (column)
- 26 Centre console plug and socket 12-way
- 27 Gearchange actuator plug and socket 4-way
- 28 Battery master switch (Cars other than those conforming to a West German specification)
- 29 Neutral start switch (gearchange actuator)
- 30 Splice H
- 31 Fuseboard F1, fuse B3, 10 Amp
- 32 Splice F
- 33 Distributor module
- 34 Splice G
- 35 Battery
- 36 Battery earth point
- 37 Distributor suppressor
- 38 Splice J



- 39 Splice K
- 40 Centre stowage compartment connection
- 41 Cranking interlock relay
- 42 Splice L
- 43 Splice M
- 44 Right-hand 'A' post main to body loom plug and socket 5-way
- 45 Memory fuse 20 Amp (located in the luggage compartment)
- 46 Splice N

