

SECTION K**STEERING**

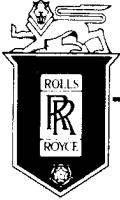
Title	Assembly	Page No.	
STEERING BOX AND MOUNTING	PART ASSEMBLY UR. 1917	K. 1	
	PART ASSEMBLY UR. 4571	K. 2	
	PART ASSEMBLY RH. 2017) PART ASSEMBLY UR. 2437)	K. 3	
	PART ASSEMBLY RH. 2019) PART ASSEMBLY RH. 2021)	K. 4	
	PART ASSEMBLY UR. 1918	K. 5	
	PART ASSEMBLY UR. 4572	K. 6	
	PART ASSEMBLY RH. 2018	K. 7	
	PART ASSEMBLY RH. 2020	K. 8	
	PART ASSEMBLY UR. 1931) PART ASSEMBLY UR. 3461)	K. 9	
	PART ASSEMBLY UR. 4569	K. 10	
	PART ASSEMBLY UR. 3368	K. 11	
	PART ASSEMBLY UR. 4570	K. 12	
	STEERING TUBES	PART ASSEMBLY UR. 1917) PART ASSEMBLY UR. 4571)	K. 13
PART ASSEMBLY RH. 2017) PART ASSEMBLY RH. 2019)		K. 14	
PART ASSEMBLY UR. 2437) PART ASSEMBLY RH. 2021)		K. 15	
PART ASSEMBLY UR. 1918) PART ASSEMBLY UR. 4572)		K. 16	
PART ASSEMBLY RH. 2018) PART ASSEMBLY RH. 2020)		K. 17	
PART ASSEMBLY UR. 1931) PART ASSEMBLY UR. 4569)		K. 18	
PART ASSEMBLY UR. 4569) PART ASSEMBLY UR. 3461)		K. 19	
PART ASSEMBLY UR. 3368) PART ASSEMBLY UR. 4570)		K. 20	
GEAR QUADRANT		PART ASSEMBLY UR. 1917) PART ASSEMBLY UR. 2437) PART ASSEMBLY UR. 4571) PART ASSEMBLY RH. 2021) PART ASSEMBLY RH. 2017)	K. 21

(Continued Overleaf)

SECTION K (Continued)

STEERING

Title	Assembly	Page No.
GEAR QUADRANT	PART ASSEMBLY UR. 1917) PART ASSEMBLY UR. 2437) PART ASSEMBLY UR. 4571) PART ASSEMBLY RH. 2021) PART ASSEMBLY RH. 2017)	K. 22
	PART ASSEMBLY UR. 1918) PART ASSEMBLY UR. 4572)	K. 23
	PART ASSEMBLY UR. 1918) PART ASSEMBLY UR. 4572)	K. 24
	PART ASSEMBLY RH. 2018) PART ASSEMBLY RH. 2020)	K. 25
	PART ASSEMBLY RH. 2018) PART ASSEMBLY RH. 2020)	K. 26
	PART ASSEMBLY UR. 3368) PART ASSEMBLY UR. 1931) PART ASSEMBLY UR. 4569) PART ASSEMBLY UR. 3461) PART ASSEMBLY UR. 4570)	K. 27
	PART ASSEMBLY UR. 3368) PART ASSEMBLY UR. 1931) PART ASSEMBLY UR. 4569) PART ASSEMBLY UR. 3461) PART ASSEMBLY UR. 4570)	K. 28
STEERING WHEEL		K. 29
CENTRE STEERING LEVER AND IDLER LEVER		K. 30
		K. 31
		K. 32
		K. 33
CROSS BEAM		K. 34
LEVER STUB AXLE		K. 35
DRAG LINK ASSEMBLY		K. 36
STEERING PUMP AND MOUNTING		K. 37
POWER CYLINDER ASSEMBLY		K. 38
SPOOL VALVE ASSEMBLY	UPPER HALF	K. 39
	LOWER HALF	K. 40
HOSES		K. 41

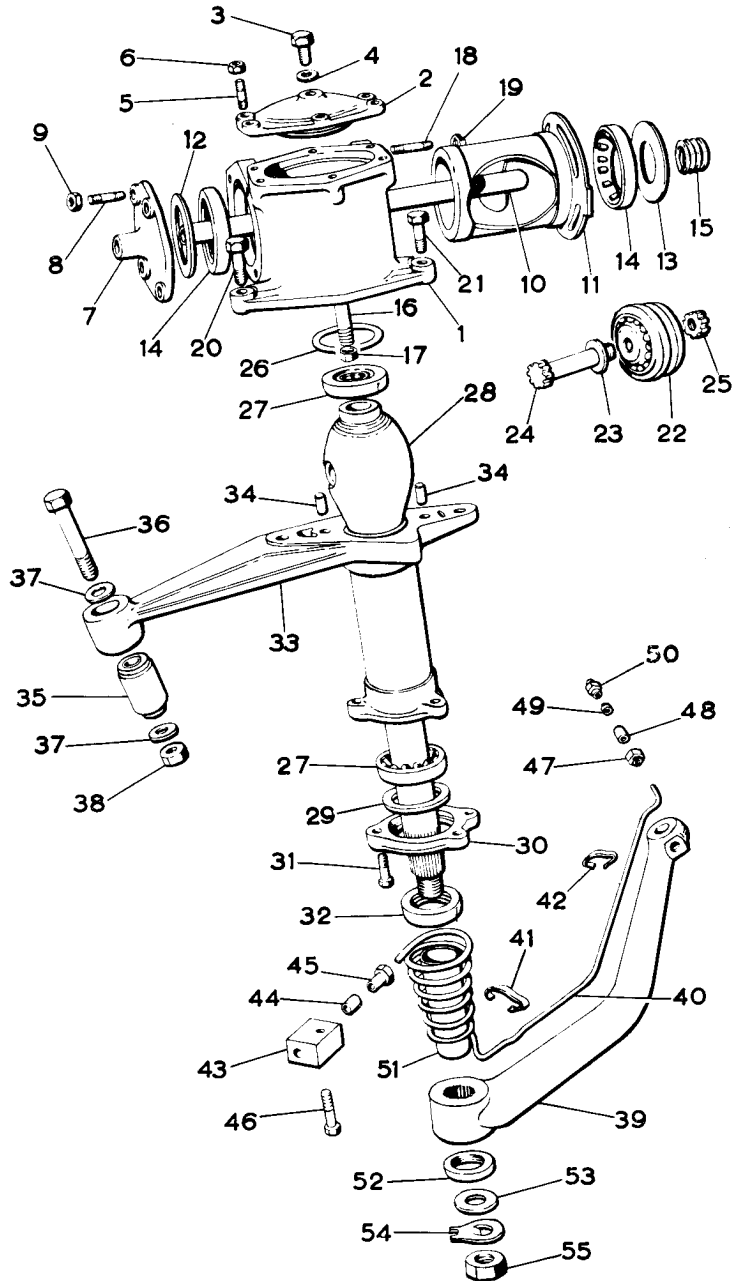


SPARES schedule

SILVER CLOUD AND BENTLEY 'S' TYPE



(1)	UR.691	Box	1
(2)	UR.699	Cover, top	1
(3)	UR.270	Plug, oil filter	1
(4)	KB.1079	Washer, plug	1
(5)	UA.852/Z	Stud, top cover	6
(6)	UA.301/Z	Nut, Stud	6
(7)	UR.696	Cover, bottom	1
(8)	UA.902/Z	Stud, bottom cover	4
(9)	UA.302/Z	Nut, stud	1
(10)	UR.714	Oil tube	1
(11)	UR.694	Sleeve, adjusting	1
(12)	UE.704	Adjusting Washer, Power	1
(13)	UR.2826	Adjusting Washer, upper .160"	} 1 As req.
	UR.2454	" " " .133"	
	UR.2455	" " " .140"	
(14)	FW.168	Bearing, cam	
(15)	UR.1316	Spring, contact, earth	1
(16)	UA.945/Z	Stud, mounting bracket	2
(17)	RE.22428	Nut, stud	2
(18)	UA.904/Z	Stud, column to box	4
(19)	UA.302/Z	Nut, Stud	4
(20)	UR.711	Setscrew, mounting bracket	1
(21)	UA.204/Z	Setscrew, mounting bracket	1
(22)	UR.721	ROLLER ASSEMBLY	1
(23)	UR.3330	Washer, packing .022"	} As req.
	UR.3331	" " .023"	
	UR.3332	" " .024"	
	UR.3333	" " .025"	
	UR.3334	" " .026"	
	UR.3335	" " .027"	
(24)	UR.719	Bolt	1
(25)	UR.716	Nut, bolt	1
(26)	UR.3175	Seal, box to bracket	1
(27)	RF.9059	Bearing, roller	2
(28)	UR.685	Rocking Shaft	1
(29)	UR.706	Washer, adjusting	1
(30)	UR.695	Retaining flange	1
(31)	UA.105/Z	Setscrew, flange	3
(32)	UR.278	Seal, oil, flange	1
	UR.717	" " " " "	} Alt.
(33)	UR.693	MOUNTING BRACKET ASSY.	
(34)	UR.229	Dowel	2
(35)	RF.8748	Bush, Silentbloc	1
(36)	UR.437	Bolt	1
(37)	UA.1255/Z	Washer, bolt	2
(38)	UA.305/Z	Nut, bolt	1
(39)	UR.240	Pendulum lever	1
(40)	UR.700	Pipe, oil	1
(41)	UR.1073	Clip, oil pipe, large	1
(42)	UR.1074	Clip, oil pipe, small	1
(43)	UR.2778	Junction, 2-way	1
(44)	UR.6783	Compression sleeve, junction	1
(45)	UR.2541	Bushing, pipe, junction	1
(46)	UA.107/Z	Setscrew, junction	1
(47)	UR.2647	Nut, pipe to lever	1
(48)	RF.6783	Compression sleeve	1
(49)	RE.6777	Cup, pipe	1
(50)	UR.1259	Connection, pipe to lever	1
(51)	UR.3788	Hose, anti-rattle	1
(52)	UR.2821	Washer, special	1
(53)	K.4431/Z	Washer, shaft	1
(54)	G.56472	Washer, locking	1
(55)	UA.357/Z	Nut, shaft	1

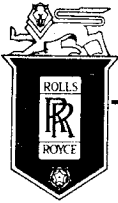


STEERING BOX AND MOUNTING

PART ASSEMBLY UR.1917

FOR RIGHT-HAND DRIVE CARS WITH MANUAL STEERING AND AUTOMATIC GEARBOX EXCEPT "CONTINENTAL" WITH OIL LUBRICATION OF PENDULUM LEVER.

Silver Cloud	SWA-2 to SGE 429
Silver Cloud (LWB)	BLC-1 to BLC-27
Bentley 'S'	2-AN to 642-FA
Bentley 'S' (LWB)	ALB-1 to ALB-16, 18, 19, 20, 23, 24, 25, 26.

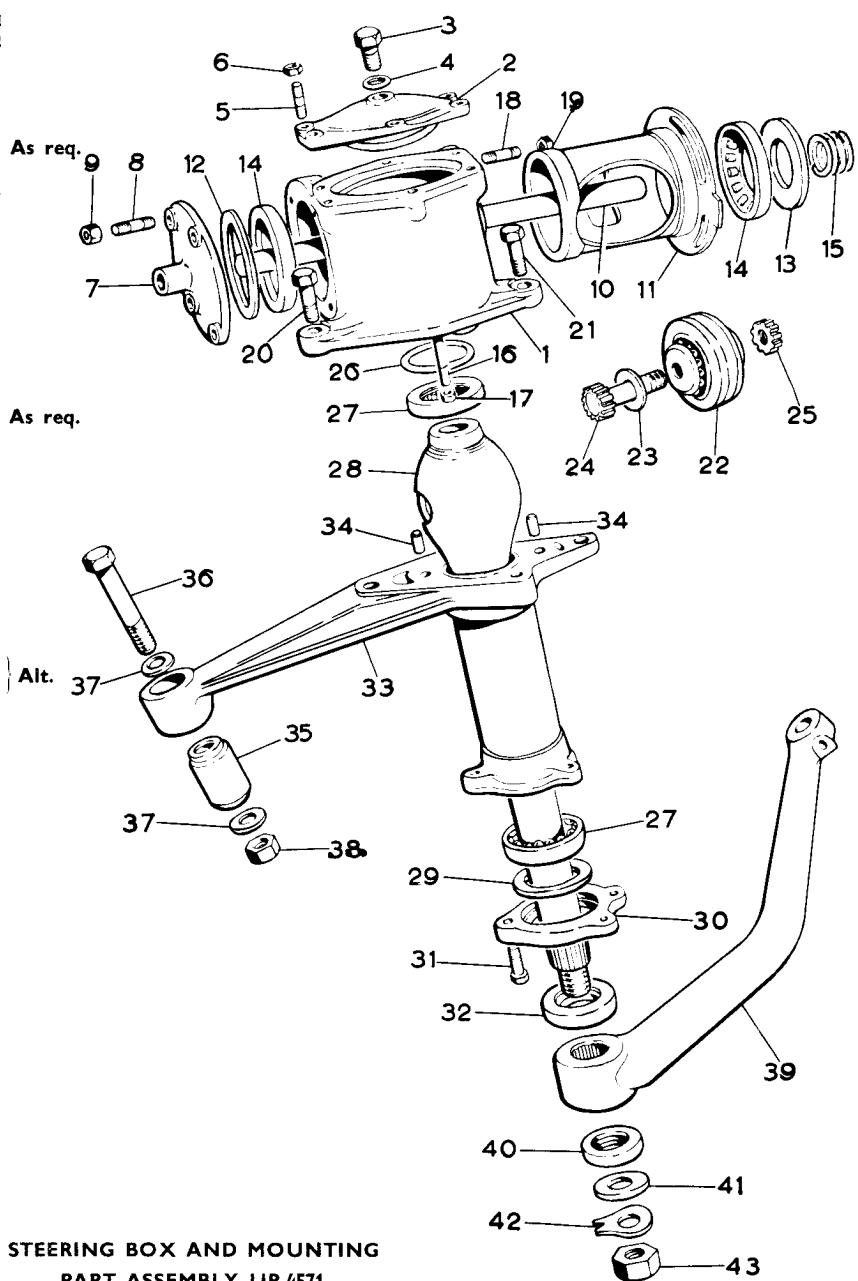


SPARES schedule

SILVER CLOUD AND BENTLEY 'S' TYPE

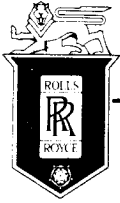


(1)	UR.691	Box	1
(2)	UR.699	Cover, top	1
(3)	UR.270	Plug, oil filler	1
(4)	KB.1079	Washer, plug	1
(5)	UA.852 Z	Stud, top cover	6
(6)	UA.301 Z	Nut, stud	6
(7)	UR.696	Cover, bottom	1
(8)	UA.902 Z	Stud, bottom cover	4
(9)	UA.302 Z	Nut, stud	4
(10)	UR.714	Oil tube	1
(11)	UR.694	Sleeve, adjusting	1
(12)	UE.704	Adjusting washer, lower	1
(13)	UR.2826	Adjusting washer, upper .160"	1
	UR.2454	" " " .133"	1
	UR.2455	" " " .140"	1
(14)	FW.168	Bearing, cam	2
(15)	UR.1316	Spring, contact, earth	1
(16)	UA.954 Z	Stud, mounting bracket	2
(17)	RE.22428	Nut, stud	2
(18)	UA.904 Z	Stud, column to box	4
(19)	UA.302 Z	Nut, stud	4
(20)	UR.711	Setscrew, mounting bracket	1
(21)	UA.204 Z	Setscrew, mounting bracket	1
(22)	UR.721	ROLLER ASSEMBLY	1
(23)	UR.3330	Washer, packing .022"	1
	UR.3331	" " .023"	1
	UR.3332	" " .024"	1
	UR.3333	" " .025"	1
	UR.3334	" " .026"	1
	UR.3335	" " .027"	1
(24)	UR.719	Bolt	1
(25)	UR.716	Nut, bolt	1
(26)	UR.3175	Seal, box to bracket	1
(27)	RF.9059	Bearing, roller	2
(28)	UR.685	Rocking Shaft	1
(29)	UR.706	Washer, adjusting	1
(30)	UR.695	Retaining flange	1
(31)	UA.105 Z	Setscrew, flange	3
(32)	UR.278	Seal, oil, flange	1
	UR.717	Seal, oil, flange	1
(33)	UR.693	MOUNTING BRACKET ASSY.	1
(34)	UR.229	Dowel	2
(35)	RF.8748	Bush, Silentbloc	1
(36)	UR.437	Bolt	1
(37)	UA.1255 Z	Washer, bolt	2
(38)	UA.305 Z	Nut, bolt	1
(39)	UR.4552	Pendulum lever	1
(40)	UR.2821	Washer, special	1
(41)	K.4431 Z	Washer, shaft	1
(42)	G.56472	Washer, locking	1
(43)	UA.357 Z	Nut, shaft	1



STEERING BOX AND MOUNTING
 PART ASSEMBLY UR.4571
 FOR RIGHT-HAND DRIVE CARS WITH MANUAL STEERING
 AND AUTOMATIC GEARBOX EXCEPT "CONTINENTAL"
 WITH GREASE LUBRICATION OF PENDULUM LEVER.

Silver Cloud SGE-430 onwards
 Silver Cloud (LWB) BLC-28 onwards except 41 and 42
 Bentley 'S' 644-FA onwards
 Bentley 'S' (LWB) ALB-17, 21, 22, 27 onwards

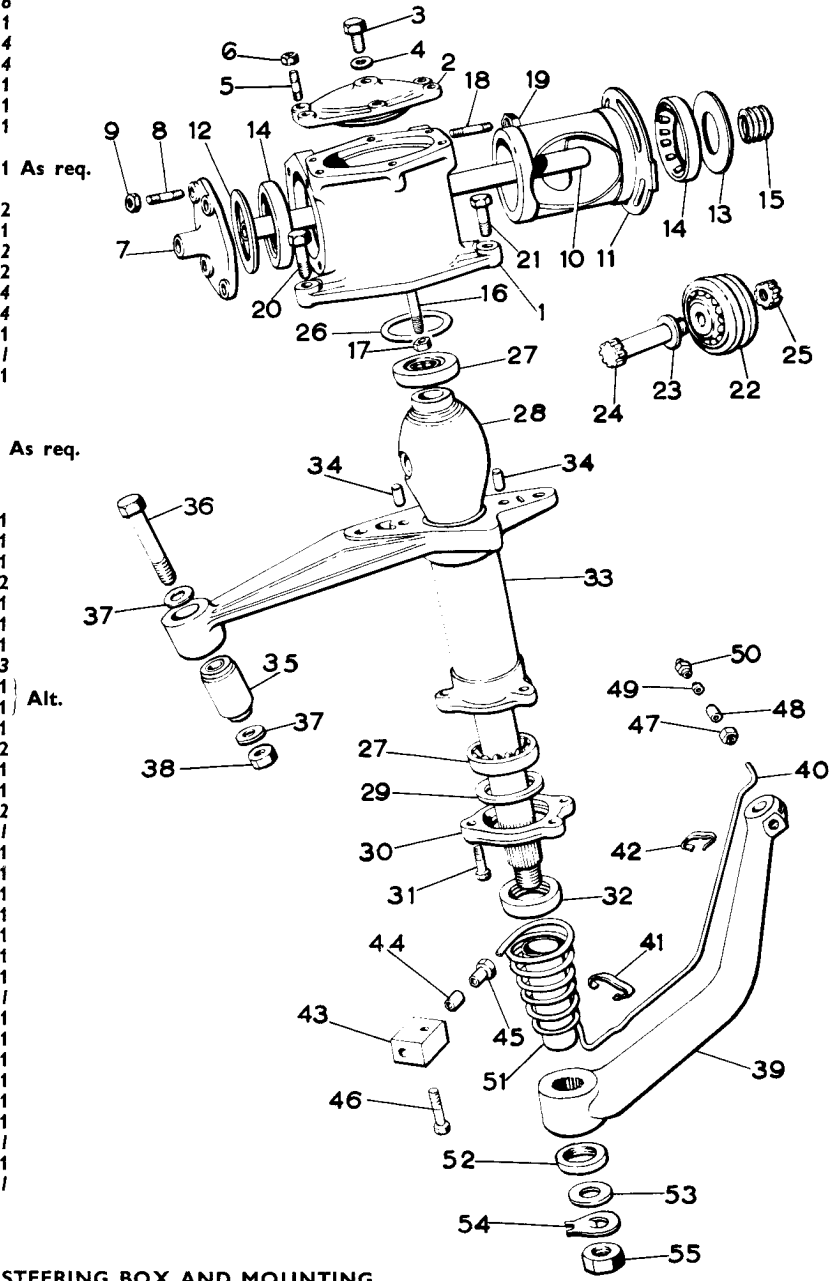


SPARES schedule

SILVER CLOUD AND BENTLEY 'S' TYPE



(1)	UR.691	Box	1
(2)	UR.699	Cover, top	1
(3)	UR.270	Plug, oil filler	1
(4)	KB.1079	Washer, plug	1
(5)	UA.852 Z	Stud, top cover	6
(6)	UA.301 Z	Nut, stud	6
(7)	UR.696	Cover, bottom	1
(8)	UA.902 Z	Stud, bottom cover	4
(9)	UA.302 Z	Nut, stud	4
(10)	UR.714	Oil tube	1
(11)	UR.694	Sleeve, adjusting	1
(12)	UE.704	Adjusting washer, lower	1
(13)	UR.2826	Adjusting washer, upper .160"	1 As req.
	UR.2454	" " " .133"	
	UR.2455	" " " .140"	
(14)	FW.168	Bearing, cam	2
(15)	UR.1316	Spring, contact, earth	1
(16)	UA.954 Z	Stud, mounting bracket	2
(17)	RE.22428	Nut, stud	2
(18)	UA.904 Z	Stud, column to box	4
(19)	UA.3052	Nut, stud	4
(20)	UR.711	Setscrew, mounting bracket	1
(21)	UA.204 Z	Setscrew, mounting bracket	1
(22)	RF.7489	ROLLER ASSEMBLY	1
(23)	UR.3330	Washer, packing .022"	1 As req.
	UR.3331	" " .023"	
	UR.3332	" " .124"	
	UR.3333	" " .025"	
	UR.3334	" " .026"	
	UR.3335	" " .027"	
(24)	UR.719	Bolt	1
(25)	UR.716	Nut, bolt	1
(26)	UR.3175	Seal, box to bracket	1
(27)	RF.9059	Bearing, roller	2
(28)	UR.1971	Rocking Shaft	1
(29)	UR.706	Washer, adjusting	1
(30)	UR.695	Retaining flange	1
(31)	UA.105 Z	Setscrew, flange	3
(32)	UR.278	Seal, oil, flange	1
	UR.717	Seal, oil, flange	1
(33)	UR.1974	MOUNTING BRACKET ASSY.	1
(34)	UR.229	Dowel	2
(35)	RF.8748	Bush, Silentbloc	1
(36)	UR.437	Bolt	1
(37)	UA.1255 Z	Washer, bolt	2
(38)	UA.305 Z	Nut, bolt	1
(39)	UR.240	Pendulum lever	1
(40)	UR.700	Oil pipe	1
(41)	UR.1073	Clip, oil pipe, large	1
(42)	UR.1074	Clip, oil pipe, small	1
(43)	UR.2778	Junction, 2-way	1
(44)	UR.6783	Compression sleeve, junction	1
(45)	UR.2541	Bushing, pipe, junction	1
(46)	UA.107 Z	Setscrew, junction	1
(47)	UR.2647	Nut, pipe to lever	1
(48)	RF.6783	Compression sleeve	1
(49)	RE.6777	Cup, pipe	1
(50)	UR.1259	Connection, pipe to lever	1
(51)	UR.3788	Hose, anti-rattle	1
(52)	UR.2821	Washer, special	1
(53)	K.4431 Z	Washer, shaft	1
(54)	G.56472	Washer, locking	1
(55)	UA.357 Z	Nut, shaft	1

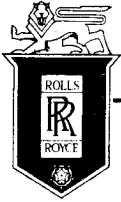


STEERING BOX AND MOUNTING

PART ASSEMBLY RH.2017
 PART ASSEMBLY UR.2437
 FOR RIGHT-HAND DRIVE "CONTINENTAL" CARS WITH
 MANUAL STEERING WITH OIL LUBRICATION OF
 PENDULUM LEVER.

Silver Cloud
 Silver Cloud (LWB)
 Bentley 'S'
 Bentley 'S' (LWB)
 Continental

BC-AF to BC-EL.

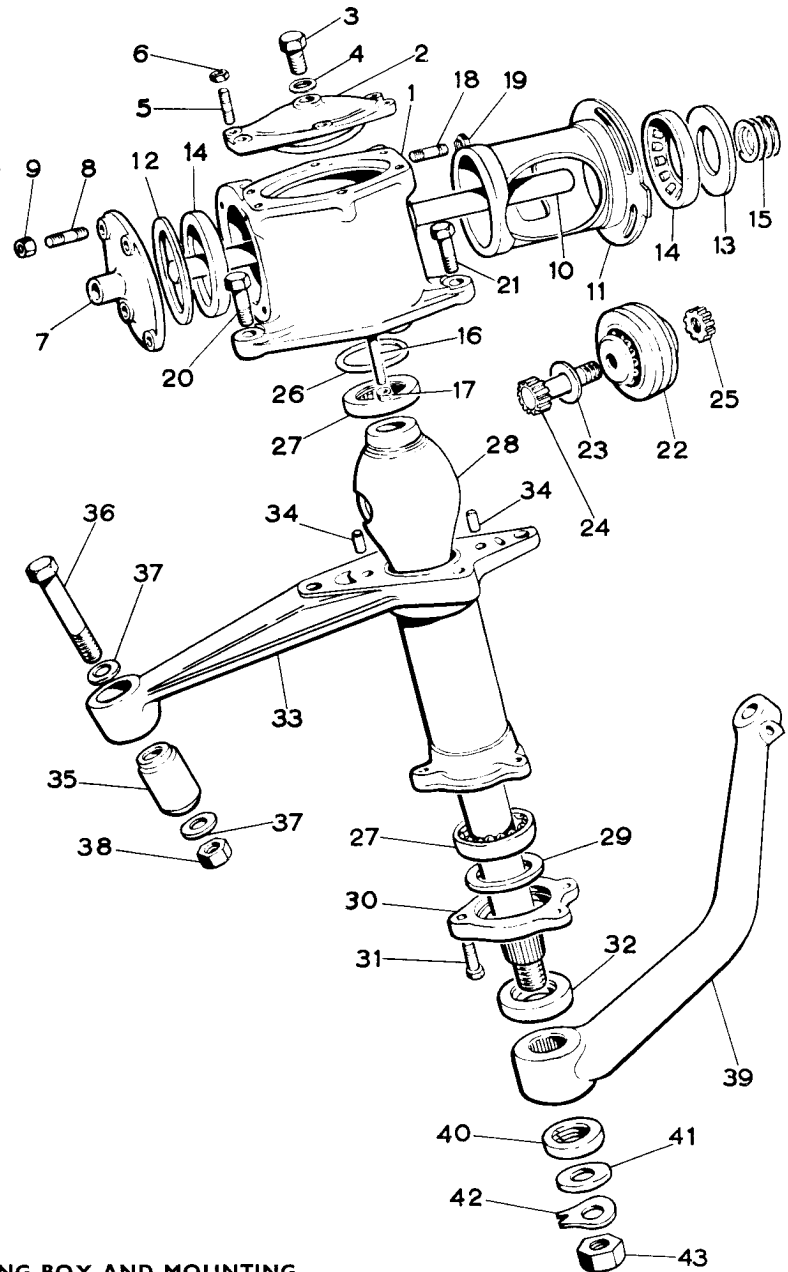


SPARES schedule

SILVER CLOUD AND BENTLEY 'S' TYPE



(1)	UR.691	Box	1
(2)	UR.699	Cover, top	1
(3)	UR.270	Plug, oil filler	1
(4)	KB.1079	Washer, plug	1
(5)	UA.852 Z	Stud, top cover	6
(6)	UA.301 Z	Nut, stud	6
(7)	UR.696	Cover, bottom	1
(8)	UA.902 Z	Stud, bottom cover	4
(9)	UA.302 Z	Nut, stud	4
(10)	UR.714	Oil tube	1
(11)	UR.694	Sleeve, adjusting	1
(12)	UE.704	Adjusting washer, lower	1
(13)	UR.2826	Adjusting washer, upper .160"	1 As req.
	UR.2454	Adjusting washer, upper .133"	
	UR.2455	Adjusting washer, upper .140"	
(14)	FW.168	Bearing, cam	2
(15)	UR.1316	Spring, contact, earth	1
(16)	UA.954 Z	Stud, mounting bracket	2
(17)	RE.22428	Nut, stud	2
(18)	UA.904 Z	Stud, column to box	4
(19)	UA.302 Z	Nut, stud	4
(20)	UR.711	Setscrew, mounting bracket	1
(21)	UA.204 Z	Setscrew, mounting bracket	1
(22)	RE.7489	ROLLER ASSEMBLY	1
(23)	UR.3330	Washer, packing .022"	As req.
	UR.3331	" " .023"	
	UR.3332	" " .024"	
	UR.3333	" " .025"	
	UR.3334	" " .026"	
	UR.3335	" " .027"	
(24)	UR.719	Bolt	1
(25)	UR.716	Nut, bolt	1
(26)	UR.3175	Seal, box to bracket	1
(27)	RF.9059	Bearing, roller	2
(28)	UR.1971	Rocking Shaft	1
(29)	UR.706	Washer, adjusting	1
(30)	UR.695	Retaining flange	1
(31)	UA.105 Z	Setscrew, flange	3
(32)	UR.278	Seal, oil, flange	1 } Alt.
	UR.717	Seal, oil, flange	
(33)	UR.1974	MOUNTING BRACKET ASSY.	1
(34)	UR.229	Dowel	2
(35)	RF.8748	Bush, Silentbloc	1
(36)	UR.437	Bolt	1
(37)	UA.1255 Z	Washer, bolt	2
(38)	UA.305 Z	Nut, bolt	1
(39)	UR.4552	Pendulum lever	1
(40)	UR.2821	Washer, special	1
(41)	K.4431 Z	Washer, shaft	1
(42)	G.56472	Washer, locking	1
(43)	UA.357 Z	Nut, shaft	1



STEERING BOX AND MOUNTING
 PART ASSEMBLY RH.2019
 PART ASSEMBLY RH.2021
 FOR RIGHT-HAND DRIVE "CONTINENTAL" CARS
 WITH MANUAL STEERING WITH GREASE
 LUBRICATION OF PENDULUM LEVER

Silver Cloud
 Silver Cloud (LWB)
 Bentley 'S'
 Bentley 'S' (LWB)
 Continental BC-1-FM onwards

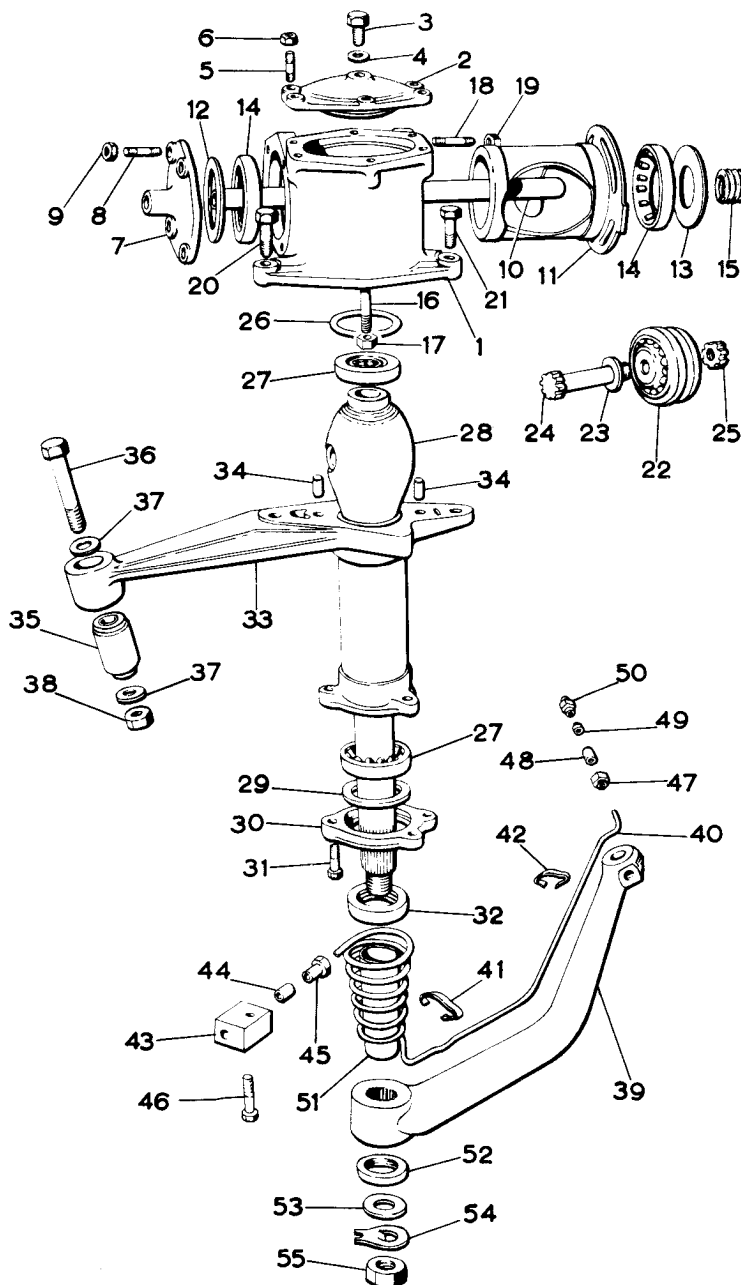


SPARES schedule

SILVER CLOUD AND BENTLEY 'S' TYPE



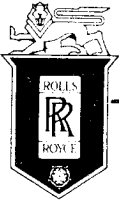
(1)	UR.771	Box	1
(2)	UR.699	Cover, top	1
(3)	UR.270	Plug, oil filler	1
(4)	KB.1079	Washer, plug	1
(5)	UA.852 Z	Stud, top cover	6
(6)	UA.301 Z	Nut, stud	6
(7)	UR.696	Cover, bottom	1
(8)	UA.902 Z	Stud, bottom cover	4
(9)	UA.302 Z	Nut, stud	4
(10)	UR.714	Oil, tube	1
(11)	UR.694	Sleeve, adjusting	1
(12)	UE.704	Adjusting washer, lower	1
(13)	UR.2826	Adjusting washer, upper .160"	1
	UR.2454	" " " .133"	1 As req.
	UR.2455	" " " .140"	
(14)	FW.168	Bearing, cam	
(15)	UR.1316	Spring, contact, earth	1
(16)	UA.954 Z	Stud, mounting bracket	2
(17)	RE.22428	Nut, stud	2
(18)	UA.904 Z	Stud, column to box	4
(19)	UA.305 Z	Nut, stud	4
(20)	UR.711	Setscrew, mounting bracket	1
(21)	UA.204 Z	Setscrew, mounting bracket	1
(22)	UR.721	ROLLER ASSEMBLY	1
(23)	UR.3330	Washer, packing .022"	As req.
	UR.3331	" " .023"	
	UR.3332	" " .024"	
	UR.3333	" " .025"	
	UR.3334	" " .026"	
	UR.3335	" " .027"	
(24)	UR.719	Bolt	1
(25)	UR.716	Nut, bolt	1
(26)	UR.3175	Seal, box to bracket	1
(27)	RF.9059	Bearing, roller	2
(28)	UR.772	Rocking Shaft	1
(29)	UR.706	Washer, adjusting	1
(30)	UR.695	Retaining flange	1
(31)	UA.105 Z	Setscrew, flange	3
(32)	UR.278	Seal, oil, flange	1
	UR.717	Seal, oil, flange	1 Alt.
(33)	UR.693	MOUNTING BRACKET ASSY.	
(34)	UR.229	Dowel	2
(35)	RF.8748	Bush, Silentbloc	1
(36)	UR.437	Bolt	1
(37)	UA.1255 Z	Washer, bolt	2
(38)	UA.305 Z	Nut, bolt	1
(39)	UR.773	Pendulum lever	1
(40)	UR.781	Oil Pipe	1
(41)	UR.1073	Clip, oil pipe, large	1
(42)	UR.1074	Clip, oil pipe, small	1
(43)	UR.2778	Junction, 2-way	1
(44)	UR.6783	Compression sleeve, junction	1
(45)	UR.2541	Bushing, pipe, junction	1
(46)	UA.107 Z	Setscrew, junction	1
(47)	UR.2647	Nut, pipe to lever	1
(48)	RF.6783	Compression sleeve	1
(49)	RE.6777	Cup, pipe	1
(50)	UR.1259	Connection, pipe to lever	1
(51)	UR.3788	Hose, anti-rattle	1
(52)	UR.2821	Washer, special	1
(53)	K.4431 Z	Washer, shaft	1
(54)	G.56472	Washer, locking	1
(55)	UA.357 Z	Nut, shaft	1



STEERING BOX AND MOUNTING

PART ASSEMBLY UR.1918
FOR LEFT-HAND DRIVE CARS WITH MANUAL STEERING
AND AUTOMATIC GEARBOX EXCEPT "CONTINENTAL"
WITH OIL LUBRICATION OF PENDULUM LEVER

Silver Cloud	SWA-2 to SGE-429
Silver Cloud (LWB)	BLC-1 to BLC-27
Bentley 'S'	2-AN to 642-FA
Bentley 'S' (LWB)	ALB-1 to ALB-16, 18, 19, 20, 23, 24, 25, 26.

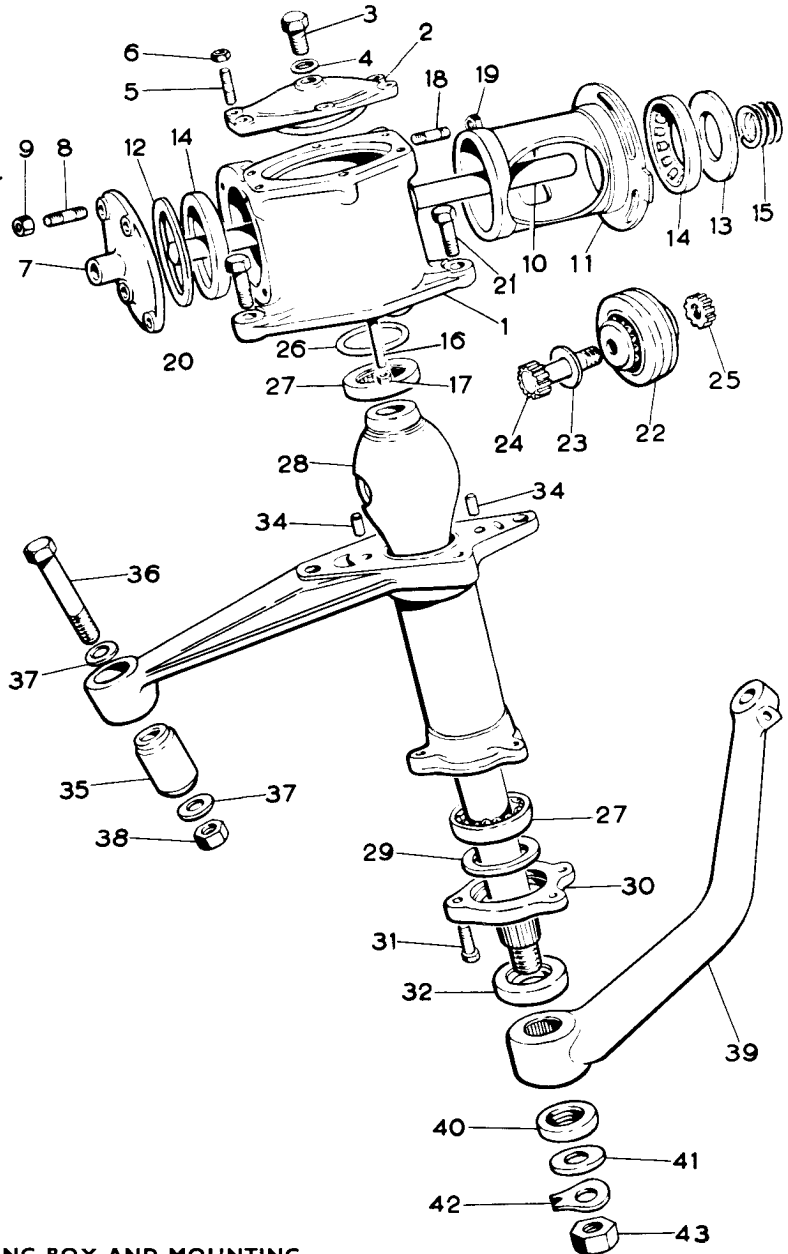


SPARES schedule

SILVER CLOUD AND BENTLEY 'S' TYPE

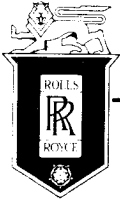


(1)	UR.771	Box	1
(2)	UR.699	Cover, top	1
(3)	UR.270	Plug, oil filler	1
(4)	KB.1079	Washer, plug	1
(5)	UA.852/Z	Stud, top cover	6
(6)	UA.301/Z	Nut, stud	6
(7)	UR.696	Cover, bottom	1
(8)	UA.902/Z	Stud, bottom cover	4
(9)	UA.302/Z	Nut, stud	4
(10)	UR.714	Oil tube	1
(11)	UR.694	Sleeve, adjusting	1
(12)	UE.704	Adjusting washer, lower	1
(13)	UR.2826	Adjusting washer, upper .160"	1 As req.
	UR.2454	" " " .133"	
	UR.2455	" " " .140"	
(14)	FW.168	Bearing, cam	
(15)	UR.1316	Spring, contact, earth	1
(16)	UA.954	Stud, mounting bracket	2
(17)	RE.22428	Nut, stud	2
(18)	UA.904/Z	Stud, column to box	4
(19)	UA.302/Z	Nut, stud	4
(20)	UR.711	Setscrew, mounting bracket	1
(21)	UA.204/Z	Setscrew, mounting bracket	1
(22)	UR.721	ROLLER ASSEMBLY	1
(23)	UR.3330	Washer, packing .022"	As req.
	UR.3331	" " .023"	
	UR.3332	" " .024"	
	UR.3333	" " .025"	
	UR.3334	" " .026"	
	UR.3335	" " .027"	
(24)	UR.719	Bolt	1
(25)	UR.716	Nut, bolt	1
(26)	UR.3175	Seal, box to bracket	1
(27)	RF.9059	Bearing, roller	2
(28)	UR.772	Rocking Shaft	1
(29)	UR.706	Washer, adjusting	1
(30)	UR.695	Retaining flange	1
(31)	UA.105/Z	Setscrew, flange	3
(32)	UR.278	Seal, oil flange	1 Alt.
	UR.717	Seal, oil, flange	
(33)	UR.693	MOUNTING BRACKET ASSY.	1
(34)	UR.229	Dowel	2
(35)	RF.8748	Bush, silentbloc	1
(36)	UR.437	Bolt	1
(37)	UA.1255/Z	Washer, bolt	2
(38)	UA.305/Z	Nut, bolt	1
(39)	UR.4553	Pendulum lever	1
(40)	UR.2821	Washer, special	1
(41)	K.4431/Z	Washer, shaft	1
(42)	G.56472	Washer, locking	1
(43)	UA.357/Z	Nut, shaft	1



STEERING BOX AND MOUNTING
PART ASSEMBLY UR.4572
FOR LEFT-HAND DRIVE CARS WITH MANUAL STEERING
AND AUTOMATIC GEARBOX EXCEPT "CONTINENTAL"
WITH GREASE LUBRICATION OF PENDULUM LEVER.

Silver Cloud SGE-430 onwards
Silver Cloud (LWB) BLC-28 onwards except 41 and 42
Bentley 'S' 644-FA onwards
Bentley 'S' (LWB) ALB-17, 21, 22, 27 onwards

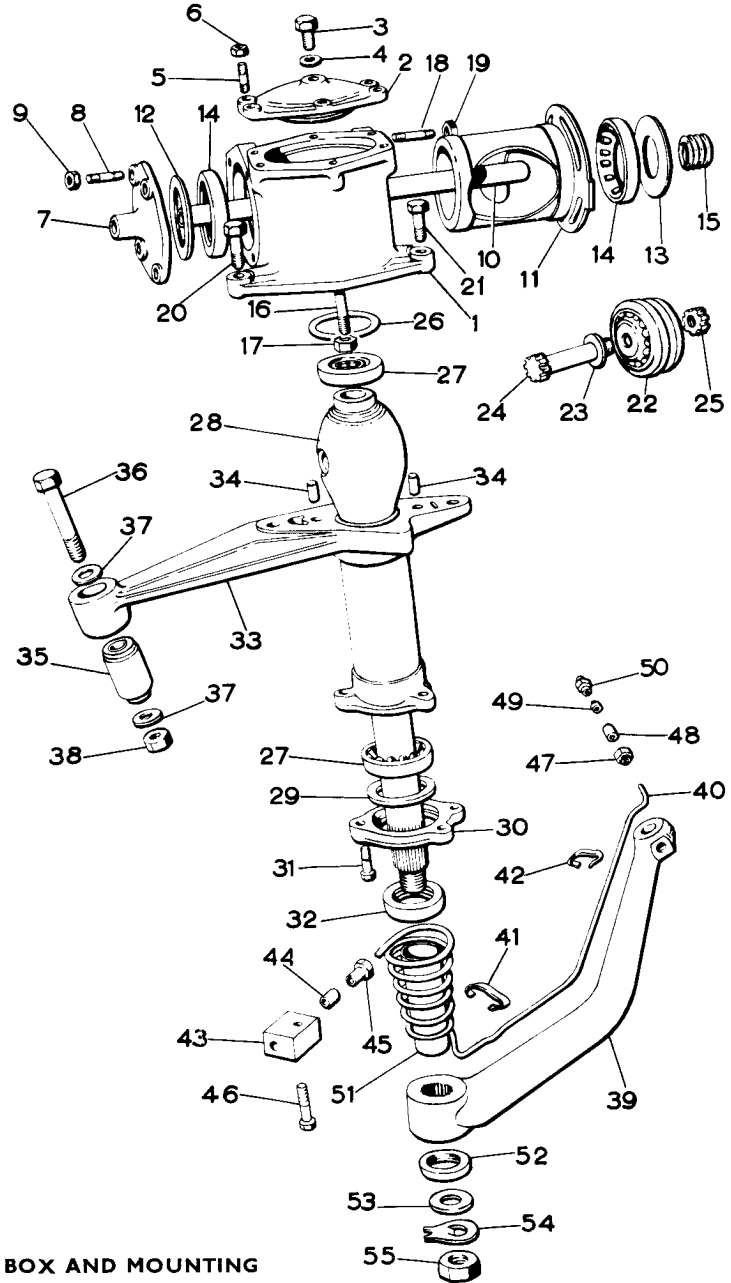


SPARES schedule

SILVER CLOUD AND BENTLEY 'S' TYPE



(1)	UR.771	Box	1
(2)	UR.699	Cover, top	1
(3)	UR.270	Plug, oil filler	1
(4)	KB.1079	Washer, plug	1
(5)	UA.852 Z	Stud, top cover	6
(6)	UA.301 Z	Nut, stud	6
(7)	UR.696	Cover, bottom	1
(8)	UA.902 Z	Stud, bottom cover	4
(9)	UA.302 Z	Nut, stud	4
(10)	UR.714	Oil, tube	1
(11)	UR.694	Sleeve, adjusting	1
(12)	UE.704	Adjusting washer, lower	1
(13)	UR.2826	Adjusting washer, upper .160"	1
	UR.2454	" " " .133"	1 As req.
	UR.2455	" " " .140"	1
(14)	FW.168	Bearing, cam	2
(15)	UR.1316	Spring, contact, earth	1
(16)	UA.954 Z	Stud, mounting bracket	2
(17)	RE.22428	Nut, stud	2
(18)	UA.904 Z	Stud, column to box	4
(19)	UA.302 Z	Nut, stud	4
(20)	UR.711	Setscrew, mounting bracket	1
(21)	UA.204 Z	Setscrew, mounting bracket	1
(22)	UR.721	ROLLER ASSEMBLY	1
(23)	UR.3330	Washer, packing .022"	1
	UR.3331	" " .023"	As req.
	UR.3332	" " .024"	
	UR.3333	" " .025"	
	UR.3334	" " .026"	
	UR.3335	" " .027"	
(24)	UR.719	Bolt	1
(25)	UR.716	Nut, bolt	1
(26)	UR.3175	Seal, box to bracket	1
(27)	RF.9059	Bearing, roller	2
(28)	UR.1972	Rocking Shaft	1
(29)	UR.706	Washer, adjusting	1
(30)	UR.695	Retaining flange	1
(31)	UA.105	Setscrew, flange	3
(32)	UR.278	Seal, oil, flange	1
	UR.717	Seal, oil, flange	1
(33)	UR.693	MOUNTING BRACKET ASSY.	1
(34)	UR.229	Dowel	2
(35)	RF.8748	Bush, Silentbloc	1
(36)	UR.437	Bolt	1
(37)	UA.1255 Z	Washer, bolt	2
(38)	UA.305 Z	Nut, bolt	1
(39)	UR.773	Pendulum lever	1
(40)	UR.781	Oil pipe	1
(41)	UR.1073	Clip, oil pipe, large	1
(42)	UR.1074	Clip, oil pipe, small	1
(43)	UR.2778	Junction, 2-way	1
(44)	UR.6783	Compression sleeve, junction	1
(45)	UR.2541	Bushing, pipe, junction	1
(46)	UA.107 Z	Setscrew, junction	1
(47)	UR.2647	Nut, pipe to lever	1
(48)	RF.6783	Compression sleeve	1
(49)	RE.6777	Cup, pipe	1
(50)	UR.1259	Connection, pipe to lever	1
(51)	UR.3788	Hose, anti-rattle	1
(52)	UR.2821	Washer, special	1
(53)	K.4431 Z	Washer, shaft	1
(54)	G.56472	Washer, locking	1
(55)	UA.357 Z	Nut, shaft	1



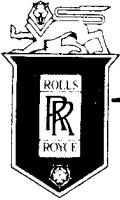
STEERING BOX AND MOUNTING

PART ASSEMBLY RH.2018
FOR LEFT-HAND DRIVE "CONTINENTAL" CARS
WITH MANUAL STEERING AND AUTOMATIC GEARBOX
WITH OIL LUBRICATION OF PENDULUM LEVER

Silver Cloud
Silver Cloud (LWB)
Bentley 'S'
Bentley 'S' (LWB)
Continental

BC-AF to BC-EL.

PAGE NO. K.7.

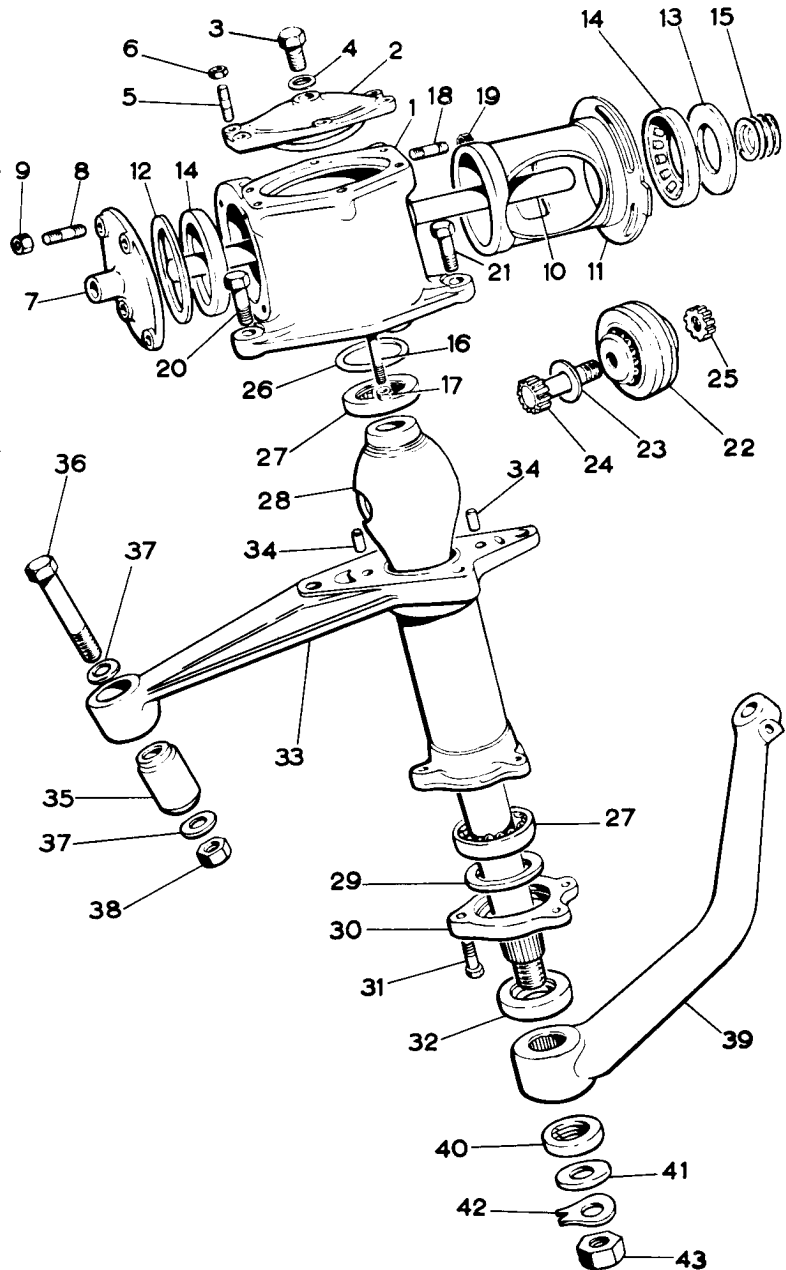


SPARES schedule

SILVER CLOUD AND BENTLEY 'S' TYPE

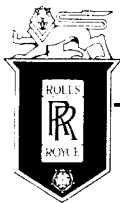


(1)	UR.691	Box	1
(2)	UR.699	Cover, top	1
(3)	UR.270	Plug, oil filler	1
(4)	KB.1079	Washer, plug	1
(5)	UA.852/Z	Stud, top cover	6
(6)	UA.301/Z	Nut, stud	6
(7)	UR.696	Cover, bottom	1
(8)	UA.902/Z	Stud, bottom cover	4
(9)	UA.302/Z	Nut, stud	4
(10)	UR.714	Oil tube	1
(11)	UR.694	Sleeve, adjusting	1
(12)	UE.704	Adjusting washer, lower	1
(13)	UR.2826	Adjusting washer, upper .160"	1
	UR.2454	" " " .133"	As req.
	UR.2455	" " " .140"	
(14)	FW.168	Bearing, cam	2
(15)	UR.1316	Spring, contact, earth	1
(16)	UA.954/Z	Stud, mounting bracket	2
(17)	RE.22428	Nut, stud	2
(18)	UA.904/Z	Stud, column to box	4
(19)	UA.302/Z	Nut, stud	4
(20)	UR.711	Setscrew, mounting bracket	1
(21)	UA.204/Z	Setscrew, mounting bracket	1
(22)	UR.721	ROLLER ASSEMBLY	1
(23)	UR.3330	Washer, packing .022"	1
	UR.3331	" " " .023"	As req.
	UR.3332	" " " .024"	
	UR.3333	" " " .025"	
	UR.3334	" " " .026"	
	UR.3335	" " " .027"	
(24)	UR.719	Bolt	1
(25)	UR.716	Nut, bolt	1
(26)	UR.3175	Seal, box to bracket	1
(27)	RF.9059	Bearing, roller	2
(28)	UR.1972	Rocking Shaft	1
(29)	UR.706	Washer, adjusting	1
(30)	UR.695	Retaining flange	1
(31)	UA.105/Z	Setscrew, flange	3
(32)	UR.278	Seal, oil, flange	1
	UR.717	Seal, oil, flange	1
(33)	UR.1974	MOUNTING BRACKET ASSY.	1
(34)	UR.229	Dowel	2
(35)	RF.8748	Bush, Silenbloc	1
(36)	UR.437	Bolt	1
(37)	UA.1255/Z	Washer, bolt	2
(38)	UA.305/Z	Nut, bolt	1
(39)	UR.4553	Pendulum lever	1
(40)	UR.2821	Washer, special	1
(41)	K.4431	Washer, shaft	1
(42)	G.56472	Washer, locking	1
(43)	UA.357/Z	Nut, shaft	1



STEERING BOX AND MOUNTING
 PART ASSEMBLY RH.2020
 FOR LEFT-HAND DRIVE "CONTINENTAL" CARS
 WITH MANUAL STEERING WITH GREASE
 LUBRICATION OF PENDULUM LEVER

Silver Cloud
 Silver Cloud (LWB)
 Bentley 'S'
 Bentley 'S' (LWB)
 Continental BC-1-FM



SPARES schedule

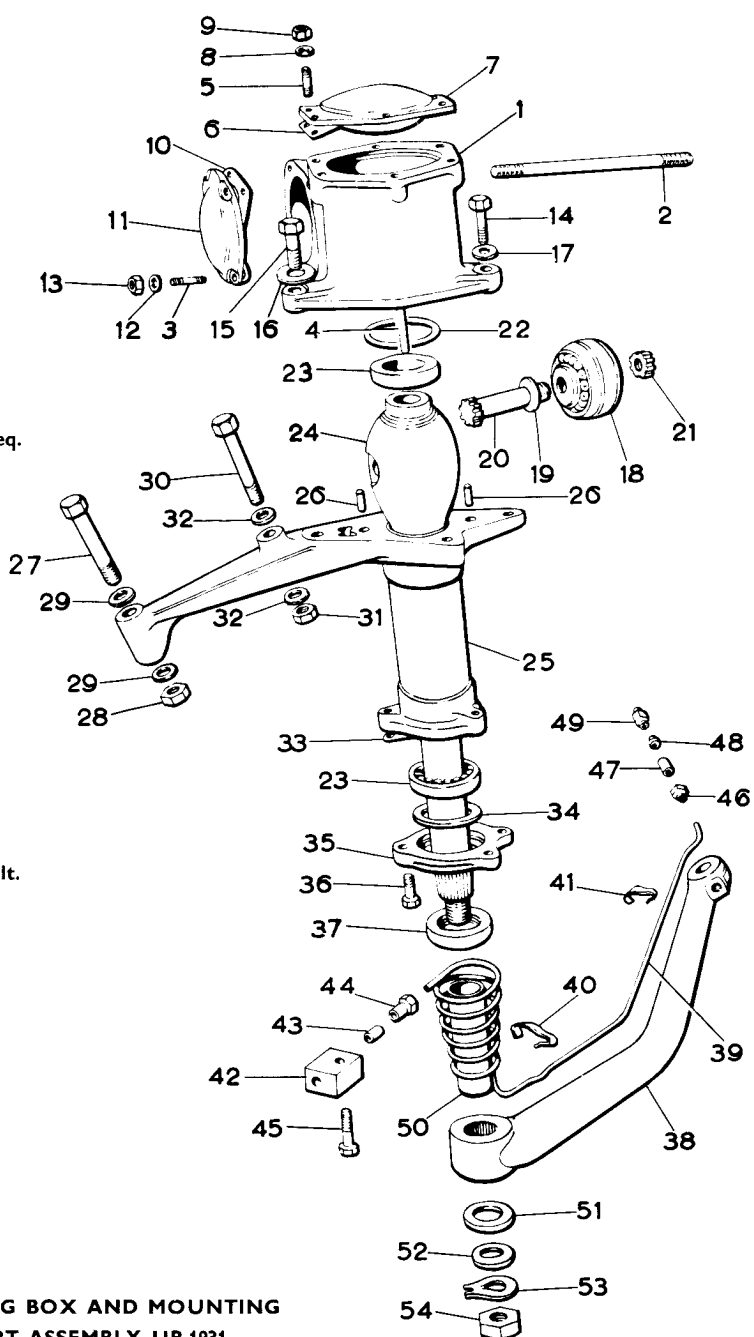
SILVER CLOUD AND BENTLEY 'S' TYPE



	RH.254	STEERING BOX, CAM TUBE AND SPOOL VALVE ASSEMBLY	1
	UR.2043	Steering box sub-assembly	1
	UR.1584	Box	1
(1)	UR.2197	Stud, valve	4
(2)	UA.902/Z	Stud, end cover	4
(3)	UA.954/Z	Stud, bracket	2
(4)	UA.852/Z	Stud, top cover	6
(5)	UR.3138	Gasket, top cover	1
(6)	UR.1587	Top cover	1
(7)	UA.1251/Z	Washer, top cover	6
(8)	UA.301/Z	Nut	6
(9)	UR.3139	Gasket, end cover	1
(10)	UR.1676	End cover	1
(11)	UA.1252/Z	Washer, end cover	4
(12)	UA.352/Z	Nut	4
(13)	UA.204/Z	Screw, bracket to box	1
(14)	UR.711	Bolt, bracket to box	1
(15)	UA.1256/Z	Washer, bolt	1
(16)	UA.1253/Z	Washer, screw	1
(17)	UR.2776	ROLLER ASSEMBLY	1
(18)	UR.3330	Washer, packing .022"	1
(19)	UR.3331	" " .023"	1
	UR.3332	" " .024"	1
	UR.3333	" " .025"	1
	UR.3334	" " .026"	1
	UR.3335	" " .027"	1
(20)	UR.719	Bolt	1
(21)	UR.716	Nut, bolt	1
(22)	UR.3175	Sealing ring, box to bracket	1
(23)	RF.9059	Bearing, cup	2
(24)	UR.685	Rocking Shaft	1
(25)	UR.1590	Mounting bracket	2
(26)	UR.229	Dowel	2
(27)	UR.437	Bolt, mounting box	1
(28)	UA.305/Z	Nut, .500"	1
(29)	UA.1255/Z	Washer	2
(30)	UA.218/Z	Bolt, mounting box	1
(31)	RE.22428	Nut, .375"	2
(32)	UA.1253/Z	Washer	1
(33)	UR.3689	Gasket	1
(34)	UR.706	Washer, adjusting	1
(35)	UR.3347	Retaining flange	1
(36)	UA.105/Z	Screw, flange	3
(37)	UR.3344	Oil Seal, rocking shaft	1
	UR.717	Oil Seal, rocking shaft	1
(38)	UR.240	Pendulum lever	1
(39)	UR.3350	Oil pipe	1
(40)	UR.1073	Clip, oil pipe, large	1
(41)	UR.1074	Clip, oil pipe, small	1
(42)	UR.2778	Junction, 2-way	1
(43)	RF.6783	Compression sleeve, junction	1
(44)	UR.2541	Bushing, pipe, junction	1
(45)	UA.107/Z	Setscrew, junction	1
(46)	UR.2647	Nut, pipe to lever	1
(47)	RF.6783	Compression sleeve	1
(48)	RF.6777	Cup, pipe	1
(49)	UR.1259	Connection, pipe to lever	1
(50)	UR.3788	Hose, anti-rattle	1
(51)	UR.2821	Washer, special	1
(52)	K.4431/Z	Washer, shaft	1
(53)	G.56472	Washer, locking	1
(54)	UA.357/Z	Nut, shaft	1

As req.

Alt.

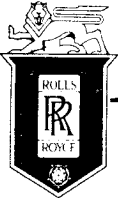


STEERING BOX AND MOUNTING

PART ASSEMBLY UR.1931
PART ASSEMBLY UR.3461

USED ON ALL RIGHT-HAND DRIVE CARS WITH POWER ASSISTED STEERING WITH OIL LUBRICATION OF PENDULUM LEVER

Silver Cloud	SWA-2 to SGE-429
Silver Cloud (LWB)	BLC-1 to BLC-27
Bentley 'S'	2-AN to 642-FA
Bentley 'S' (LWB)	ALB-1 to ALB-16, 18, 19, 20, 23, 24, 25, 26.



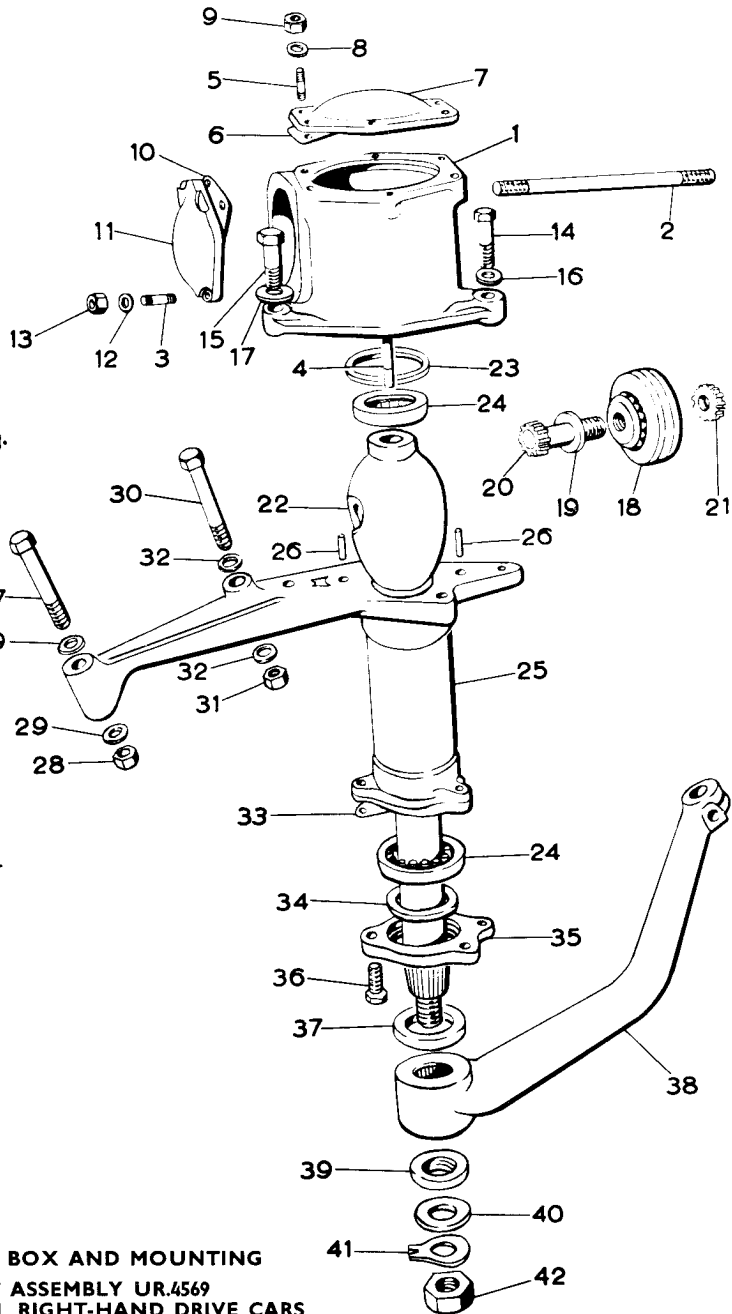
SPARES schedule

SILVER CLOUD AND BENTLEY 'S' TYPE



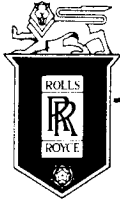
RH.254 STEERING BOX, CAM TUBE AND SPOOL VALVE ASSEMBLY

	UR.2043	Steering Box sub-assembly	1
(1)	UR.1584	Box	1
(2)	UR.2197	Stud, valve	4
(3)	UA.902/Z	Stud, end cover	4
(4)	UA.954/Z	Stud, bracket	2
(5)	UA.852/Z	Stud, top cover	6
(6)	UR.3138	Gasket, top cover	1
(7)	UR.1587	Top cover	1
(8)	UA.1251/Z	Washer, top cover	6
(9)	UA.301/Z	Nut	6
(10)	UR.3139	Gasket, end cover	1
(11)	UR.1676	End cover	1
(12)	UA.1252/Z	Washer, end cover	4
(13)	UA.352/Z	Nut	1
(14)	UA.204/Z	Bolt, bracket to box	1
(15)	UR.711	Bolt, bracket to box	1
(16)	UA.1256 Z	Washer, bolt	1
(17)	UA.1253 Z	Washer, bolt	1
(18)	UR.2776	ROLLER ASSEMBLY	1
(19)	UR.3330	Washer, packing. .022"	1
	UR.3331	" " .023"	
	UR.3332	" " .024"	
	UR.3333	" " .025"	
	UR.3334	" " .026"	
	UR.3335	" " .027"	
(20)	UR.719	Bolt, roller	1
(21)	UR.716	Nut, roller	1
(22)	UR.685	Rocking Shaft	1
(23)	UR.3175	Sealing ring, box to bracket	1
(24)	RF.9059	Bearing, cup	2
(25)	UR.1590	Mounting bracket	1
(26)	UR.229	Dowel	2
(27)	UR.437	Bolt, mounting box	1
(28)	UA.305/Z	Nut, .500"	1
(29)	UA.1255/Z	Washer	2
(30)	UA.218/Z	Bolt, mounting box	1
(31)	RE.22428	Nut, .375"	1
(32)	UA.1253/Z	Washer	2
(33)	UR.3689	Gasket	1
(34)	UR.706	Washer, adjusting	1
(35)	UR.3347	Retaining flange	1
(36)	UA.105/Z	Screw, flange	3
(37)	UR.3344	Oil Seal, rocking shaft	1
	UR.717	Oil Seal, rocking shaft	1
(38)	UR.4552	Pendulum lever	1
(39)	UR.2821	Washer, special	1
(40)	K.4431/Z	Washer, shaft	1
(41)	G.56472	Washer, locking	1
(42)	UA.357/Z	Nut, shaft	1



STEERING BOX AND MOUNTING
PART ASSEMBLY UR.4569
USED ON ALL RIGHT-HAND DRIVE CARS
WITH POWER ASSISTED STEERING. WITH
GREASE LUBRICATION OF PENDULUM LEVER

Silver Cloud SGE-430 onwards
 Silver Cloud (LWB) BLC-28 onwards except 41 and 42
 Bentley 'S' 644-FA onwards
 Bentley 'S' (LWB) ALB-17, 21, 22, 27 onwards.



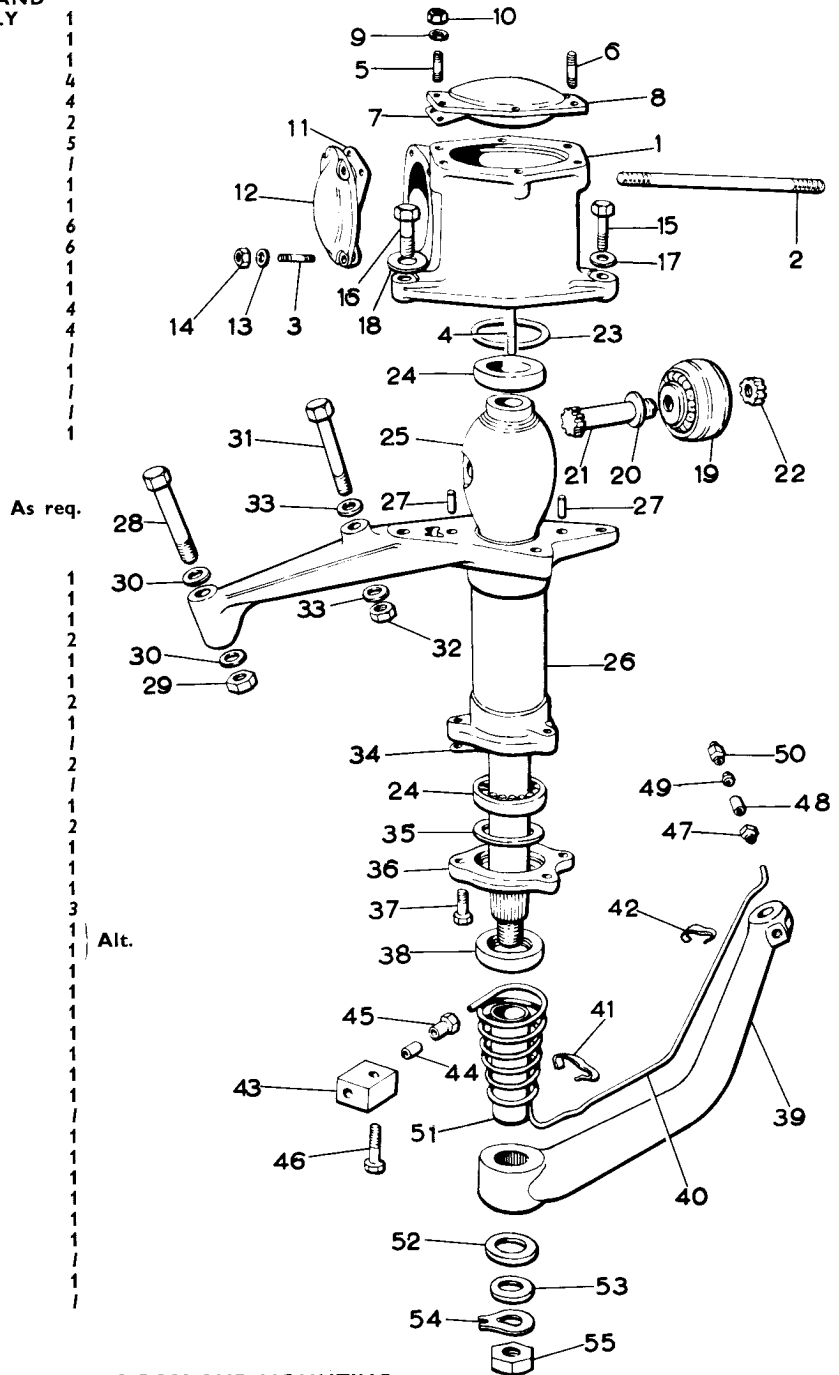
SPARES schedule

SILVER CLOUD AND BENTLEY 'S' TYPE



RH.252 STEERING BOX, CAM TUBE AND SPOOL VALVE ASSEMBLY

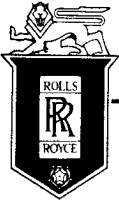
	UR.1808	Steering Box sub-assembly	1
(1)	UR.1637	Box	1
(2)	UR.2197	Stud, valve	4
(3)	UA.902 Z	Stud, end cover	4
(4)	UA.954 Z	Stud, bracket	2
(5)	UA.852 Z	Stud, top cover	5
(6)	UA.853 Z	Stud, top cover	1
(7)	UR.3138	Gasket, top cover	1
(8)	UR.1587	Top cover	1
(9)	UA.1251 Z	Washer, top cover	6
(10)	UA.301 Z	Nut	6
(11)	UR.3139	Gasket, end cover	1
(12)	UR.1676	End cover	1
(13)	UA.1252 Z	Washer, end cover	4
(14)	UA.352 Z	Nut	4
(15)	UA.204 Z	Bolt, bracket to box	1
(16)	UR.711	Bolt, bracket to box	1
(17)	UA.1256 Z	Washer, bolt	1
(18)	UA.1253 Z	Washer, bolt	1
(19)	UR.2776	ROLLER ASSEMBLY	1
(20)	UR.3330	Washer, packing .022"	1
	UR.3331	" " .023"	1
	UR.3332	" " .024"	1
	UR.3333	" " .025"	1
	UR.3334	" " .026"	1
	UR.3335	" " .027"	1
(21)	UR.719	Bolt	1
(22)	UR.716	Nut, bolt	1
(23)	UR.3175	Sealing ring, box to bracket	1
(24)	RF.9059	Bearing, cup	2
(25)	UR.772	Rocking shaft	1
(26)	UR.1590	Mounting bracket	1
(27)	UR.229	Dowel	2
(28)	UR.437	Bolt, mounting box	1
(29)	UA.305 Z	Nut, .500"	1
(30)	UA.1255 Z	Washer	2
(31)	UA.218 Z	Bolt, mounting box	1
(32)	RE.22428	Nut, .375"	1
(33)	UA.1253 Z	Washer	2
(34)	UR.3689	Gasket	1
(35)	UR.706	Washer, adjusting	1
(36)	UR.3347	Retaining flange	1
(37)	UA.105 Z	Screw, flange	3
(38)	UR.3344	Oil Seal, rocking shaft	1
	UR.717	Oil Seal, rocking shaft	1
(39)	UR.773	Pendulum lever	1
(40)	UR.3551	Oil pipe	1
(41)	UR.1073	Clip, oil pipe, large	1
(42)	UR.1074	Clip, oil pipe, small	1
(43)	UR.2778	Junction, 2-way	1
(44)	RF.6783	Compression sleeve, junction	1
(45)	UR.2541	Bushing, pipe, junction	1
(46)	UA.107 Z	Setscrew, junction	1
(47)	UR.2647	Nut, pipe to lever	1
(48)	RF.6783	Compression sleeve	1
(49)	RF.6777	Cup, pipe	1
(50)	UR.1259	Connection, pipe, to lever	1
(51)	UR.3788	Hose, anti-rattle	1
(52)	UR.2821	Washer, special	1
(53)	K.4431 Z	Washer, shaft	1
(54)	G.56472	Washer, locking	1
(55)	UA.357 Z	Nut, shaft	1



STEERING BOX AND MOUNTING

PART ASSEMBLY UR.3368
 USED ON ALL LEFT-HAND DRIVE CARS WITH POWER
 ASSISTED STEERING
 WITH OIL LUBRICATION OF PENDULUM LEVER

Silver Cloud	SWA-2 to SGE-429
Silver Cloud (LWB)	BLC-1 to BLC-27
Bentley 'S'	2-AN to 642-FA
Bentley 'S' (LWB)	ALB-1 to ALB-16, 18, 19, 20, 23, 24, 25, 26
Continental	BC-AF to BC-EL.



SPARES schedule

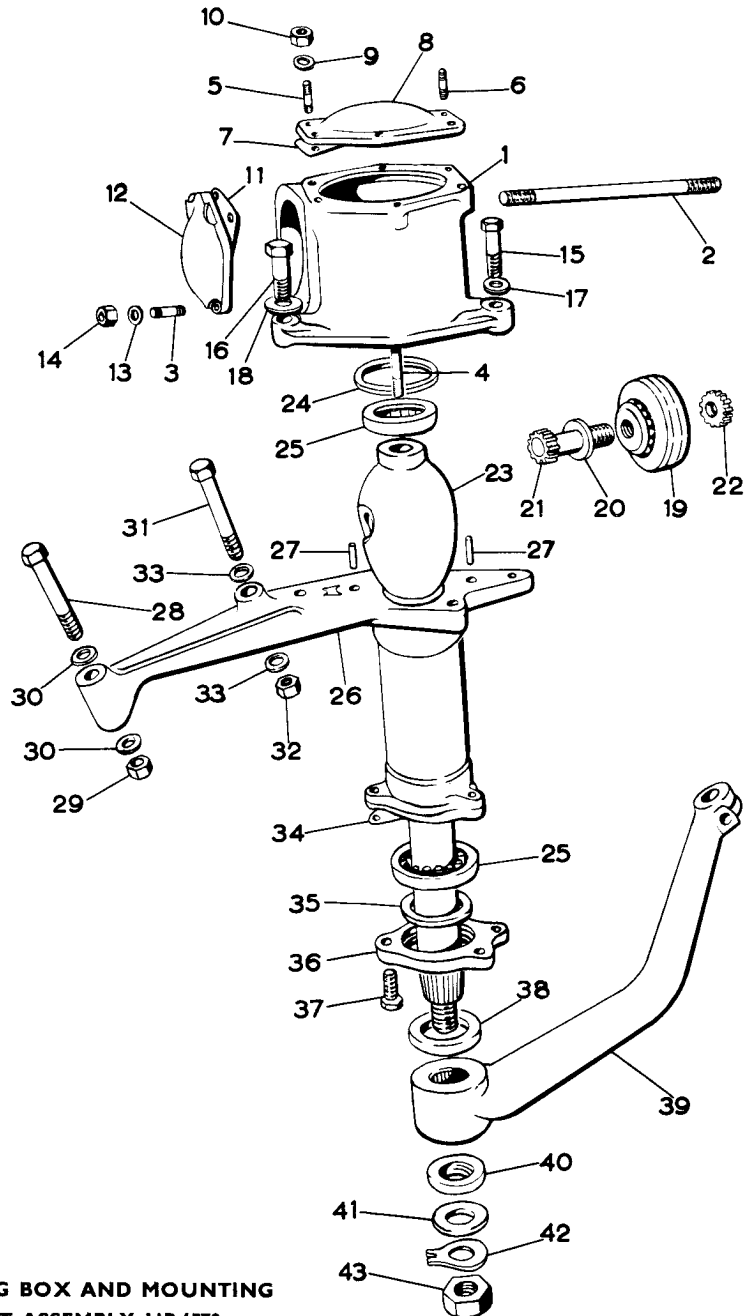
SILVER CLOUD AND BENTLEY 'S' TYPE



	RH.252	STEERING BOX, CAM TUBE & SPOOL VALVE ASSEMBLY		
	UR.1808	Steering Box sub-assembly	1	
(1)	UR.1637	Box	1	
(2)	UR.2191	Stud, valve	4	
(3)	UA.902/Z	Stud, end cover	4	
(4)	UA.954/Z	Stud, bracket	2	
(5)	UA.852/Z	Stud, top cover	5	
(6)	UA.853/Z	Stud, top cover	1	
(7)	UR.3138	Gasket, top cover	1	
(8)	UR.1587	Top cover	1	
(9)	UA.1251/Z	Washer, top cover	6	
(10)	UA.301/Z	Nut	6	
(11)	UR.3139	Gasket, end cover	1	
(12)	UR.1676	End cover	1	
(13)	UA.1252/Z	Washer, end cover	4	
(14)	UA.351/Z	Nut	4	
(15)	UA.204/Z	Bolt, bracket to box	1	
(16)	UR.711	Bolt, bracket to box	1	
(17)	UA.1256/Z	Washer, bolt	1	
(18)	UA.1253/Z	Washer, bolt	1	
(19)	UR.2776	ROLLER ASSEMBLY	1	
(20)	UR.3330	Washer, packing .022"	}	
	UR.3331	" " .023"		
	UR.3332	" " .024"		
	UR.3333	" " .025"		
	UR.3334	" " .026"		
	UR.3335	" " .027"	}	
(21)	UR.719	Bolt, roller		1
(22)	UR.716	Nut, roller		1
(23)	UR.772	Rocking shaft		1
(24)	UR.3175	Sealing ring, box to bracket		1
(25)	RF.9059	Bearing, cup	2	
(26)	UR.1590	Mounting bracket	1	
(27)	UR.229	Dowel	2	
(28)	UR.437	Bolt, mounting box	1	
(29)	UA.305/Z	Nut, .500"	1	
(30)	UA.1255/Z	Washer	2	
(31)	UA.218/Z	Bolt, mounting box	1	
(32)	RE.22428	Nut, .037"	1	
(33)	UA.1253/Z	Washer	2	
(34)	UR.3689	Gasket	1	
(35)	UR.706	Washer, adjusting	1	
(36)	UR.3347	Retaining flange	1	
(37)	UA.105/Z	Screw, flange	3	
(38)	UR.3344	Oil Seal, rocking shaft	1	
	UR.717	Oil Seal, rocking shaft	1	
(39)	UR.4553	Pendulum lever	1	
(40)	UR.2821	Washer, special	1	
(41)	K.4431/Z	Washer, shaft	1	
(42)	G.56472	Washer, locking	1	
(43)	UA.357/Z	Nut, shaft	1	

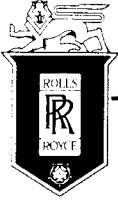
As. req.

Alt.



STEERING BOX AND MOUNTING
PART ASSEMBLY UR.4570
USED ON ALL LEFT-HAND DRIVE CARS
WITH POWER ASSISTED STEERING. WITH
GREASE LUBRICATION OF PENDULUM LEVER

Silver Cloud	SGE-430 onwards
Silver Cloud (LWB)	BLC-28 onwards except 41 and 42
Bentley 'S'	644-FA onwards
Bentley 'S' (LWB)	ALB-17, 21, 22, 27 onwards
Continental	BC-AF to BC-EL.



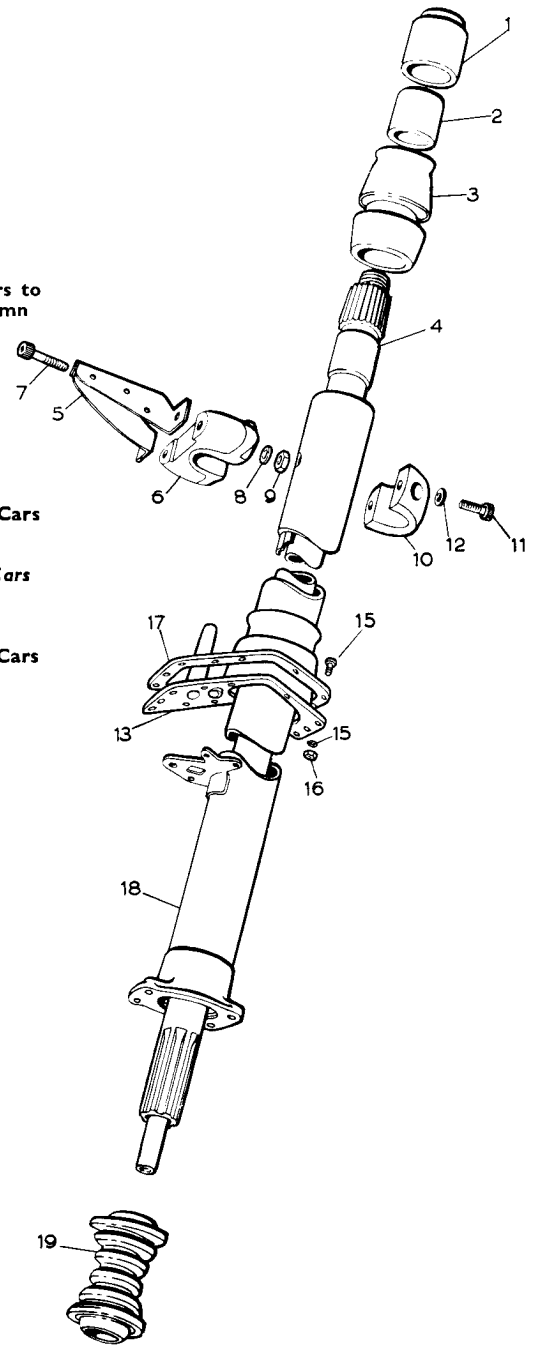
SPARES schedule

SILVER CLOUD AND BENTLEY 'S' TYPE

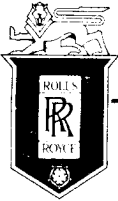


- | | | | |
|------|------------|-----------------------------|----|
| (1) | F.88191 | Housing | 1 |
| (2) | F.88434 | Bush, "Oilite" | 1 |
| (3) | RF.6521 | Sleeve | 1 |
| (4) | UR.1911 | CAM TUBE ASSY. STD. | 1 |
| | UR.2375 | CAM TUBE ASSY. 1" longer | 1 |
| | UR.2381 | CAM TUBE ASSY. 2" longer | 1 |
| | UR.2387 | CAM TUBE ASSY. 1" shorter | 1 |
| | UR.2393 | CAM TUBE ASSY. 2" shorter | 1 |
| | UB.2724 | Distance piece | 1 |
| | UB.2723 | Clamp, base | 1 |
| (5) | 173/578 | Bracket, support | 1 |
| (6) | UB.1476 | Clamp, base | 1 |
| (7) | UA.216/Z | Bolt | 2 |
| (8) | K.4413/Z | Washer | 2 |
| (9) | RE.22428 | Nut | 2 |
| (10) | UB.1475 | Cap, clamp | 1 |
| (11) | UB.1478 | Screw | 2 |
| (12) | UB.1477 | Washer | 2 |
| (13) | UR.1255 | Seal | 1 |
| | UR.2127 | Seal | 1 |
| (14) | K.4404/Z | Washer | 10 |
| (15) | CS.30541/Z | Screw | 9 |
| | CS.30546/Z | Screw | 2 |
| | CS.30546/Z | Screw | 1 |
| (16) | K.4007/Z | Nut | 10 |
| (17) | 173/359 | Retainer | 1 |
| | UR.2021 | Trapping Ring | 1 |
| (18) | UR.1914 | OUTER TUBE ASSY. STD. | 1 |
| | UR.2373 | OUTER TUBE ASSY. 1" longer | 1 |
| | UR.2379 | OUTER TUBE ASSY. 2" longer | 1 |
| | UR.2385 | OUTER TUBE ASSY. 1" shorter | 1 |
| | UR.2391 | OUTER TUBE ASSY. 2" shorter | 1 |
| (19) | UR.689 | Cam | 1 |

- | | |
|----|-----------------|
| 1 | |
| 1 | |
| 1 | |
| 1 | |
| 1 | Alt. |
| 1 | |
| 1 | |
| 1 | L.W.B. Cars to |
| 1 | Raise Column |
| 1 | |
| 2 | |
| 2 | |
| 2 | |
| 1 | |
| 2 | |
| 2 | |
| 1 | |
| 1 | Coachbuilt Cars |
| 10 | |
| 9 | |
| 2 | Coachbuilt Cars |
| 1 | Standard |
| 10 | |
| 1 | |
| 1 | Coachbuilt Cars |
| 1 | |
| 1 | |
| 1 | Alt. |
| 1 | |
| 1 | |
| 1 | |
| 1 | |



STEERING TUBES
 PART ASSEMBLY UR.1917
 PART ASSEMBLY UR.4571
 FOR RIGHT-HAND DRIVE CARS WITH MANUAL STEERING
 AND AUTOMATIC GEARBOX, EXCEPT "CONTINENTAL".

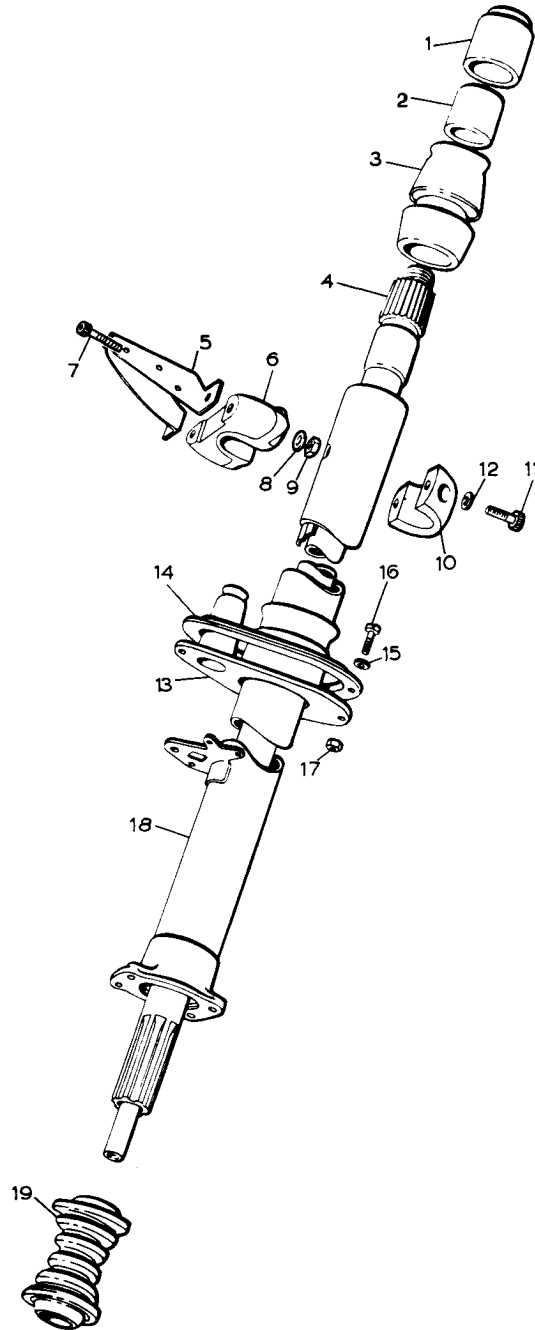


SPARES schedule

SILVER CLOUD AND BENTLEY 'S' TYPE



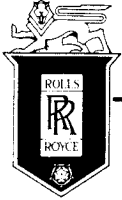
(1)	F.88191	Housing	1	
(2)	F.88434	Bush, "Oilite"	1	
(3)	RF.6521	Sleeve	1	
(4)	UR.2013	CAM TUBE ASSY. STD.	1	} Alt.
	UR.2580	CAM TUBE ASSY. 1" longer	1	
	UR.2581	CAM TUBE ASSY. 2" longer	1	
	UR.2578	CAM TUBE ASSY. 1" shorter	1	
	UR.2579	CAM TUBE ASSY. 2" shorter	1	
(5)	173/578	Bracket, support	1	
(6)	UB.1476	Clamp, base	1	
(7)	UA.216/Z	Bolt	2	
(8)	K.4413/Z	Washer	2	
(9)	RE.22428	Nut	2	
(10)	UB.1475	Cap, clamp	1	
(11)	UB.1478	Screw	2	
(12)	UB.1477	Washer	2	
(13)	UR.1998	Seal	1	
(14)	UR.2021	Trapping ring	1	
(15)	K.4404/Z	Washer	7	
(16)	CS.30542/Z	Screw	5	
	CS.30546/Z	Screw	2	
(17)	K.4007/Z	Nut	7	
(18)	UR.1914	TUBE ASSY. STD.	1	} Alt.
	UR.2373	OUTER TUBE ASSY. STD.	1	
	UR.2379	OUTER TUBE ASSY. 1" longer	1	
	UR.2385	OUTER TUBE ASSY. 2" longer	1	
	UR.2391	OUTER TUBE ASSY. 1" shorter	1	
(19)	RF.7444	Cam	1	



STEERING TUBES

PART ASSEMBLY RH.2017
PART ASSEMBLY RH.2019

FOR RIGHT-HAND DRIVE "CONTINENTAL" CARS WITH MANUAL
STEERING AND AUTOMATIC GEARBOX

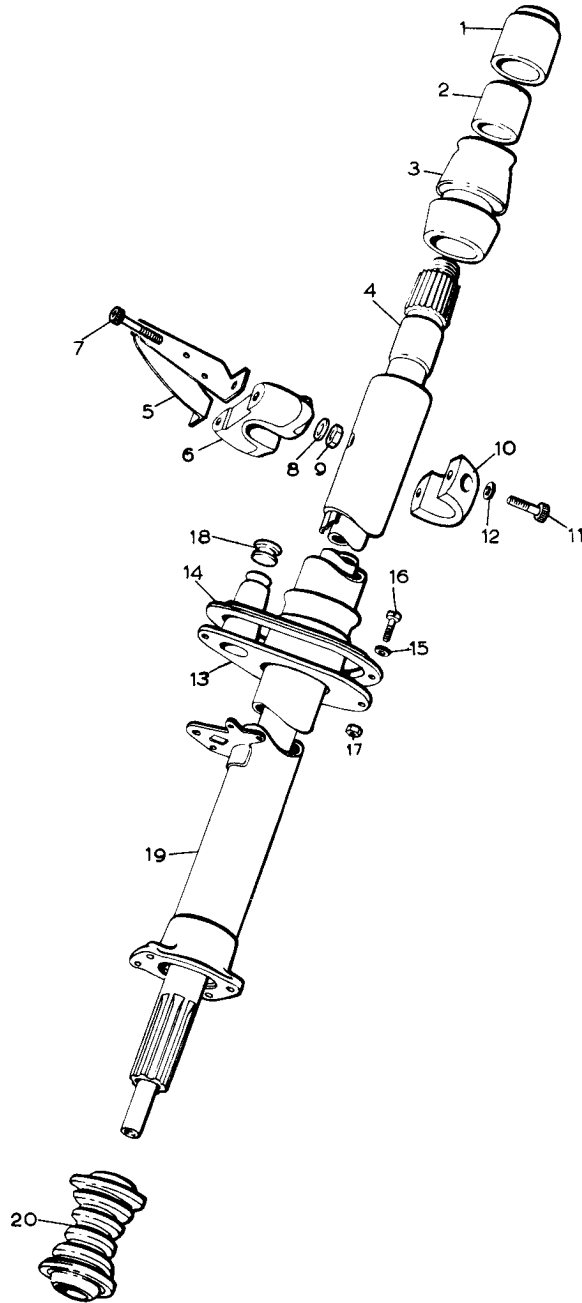


SPARES schedule

SILVER CLOUD AND BENTLEY 'S' TYPE



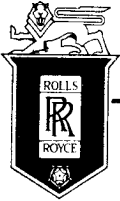
(1)	F.88191	Housing	1	
(2)	F.88434	Bush, "Oilite"	1	
(3)	RF.6521	Sleeve	1	
(4)	UR.2013	CAM TUBE ASSY. STD.	1	} Alt.
	UR.2580	CAM TUBE ASSY. 1" longer	1	
(5)	173.578	Bracket support	1	
(6)	UB.1476	Clamp, base	1	
(7)	UA.216/Z	Bolt, bracket	2	
(8)	K.4413/Z	Washer	2	
(9)	RE.22428	Nut	2	
(10)	UB.1475	Cap, clamp	1	
(11)	UB.1478	Screw	2	
(12)	UB.1477	Washer	2	
(13)	UR.1998	Seal	1	
(14)	UR.2021	Trapping ring	1	
(15)	K.4404/Z	Washer	7	
(16)	CS.30542/Z	Screw	5	
	CS.30546/Z	Screw	2	
(17)	K.4007/Z	Nut	7	
(18)	UR.2045	Plug, seal	1	
(19)	UR.2434	OUTER TUBE ASSY.	1	} Alt.
	UR.3472	OUTER TUBE ASSY. 1" longer	1	
(20)	RF.7444	Cam	1	



STEERING TUBES

PART ASSEMBLY UR.2437
PART ASSEMBLY RH.2021

FOR RIGHT-HAND "CONTINENTAL" CARS WITH MANUAL STEERING
AND SYNCHROMESH GEARBOX

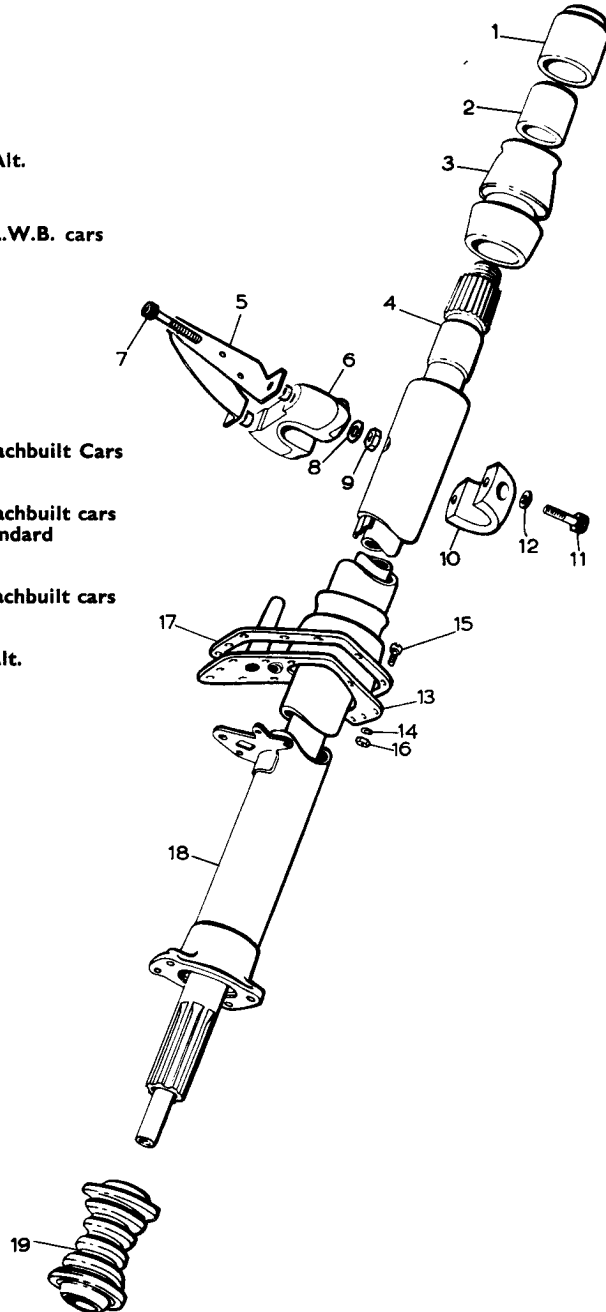


SPARES schedule

SILVER CLOUD AND BENTLEY 'S' TYPE



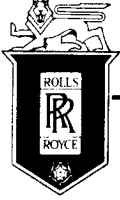
(1)	F.88191	Housing	1	
(2)	F.88434	Bush, "Oilite"	1	
(3)	RF.6521	Sleeve	1	
(4)	UR.1919	CAM TUBE ASSY. STD.	1	} Alt.
	UR.2398	CAM TUBE ASSY. 1" longer	1	
	UR.2401	CAM TUBE ASSY. 2" longer	1	
	UR.2404	CAM TUBE ASSY. 1" shorter	1	
	UR.2407	CAM TUBE ASSY. 2" shorter	1	
	UB.2724	Distance piece	1	} L.W.B. cars
	UB.2723	Clamp, base	1	
(5)	173/578	Bracket, support	1	
(6)	UB.1476	Clamp, base	1	
(7)	UA.216/Z	Bolt	2	
(8)	K.4413/Z	Washer	2	
(9)	RE.22428	Nut	2	
(10)	UB.1475	Cap, clamp	1	
(11)	UB.1478	Screw	2	
(12)	UB.1477	Washer	2	
(13)	UR.1255	Seal	1	} Coachbuilt Cars
	UR.2127	Seal	1	
(14)	K.4404/Z	Washer	10	
(15)	CS.30541/Z	Screw	9	
	CS.30546/Z	Screw	2	} Coachbuilt cars
	CS.30546/Z	Screw	1	} Standard
(16)	K.4007/Z	Nut	10	
(17)	173/359	Retainer	1	
	UR.2021	Trapping ring	1	} Coachbuilt cars
(18)	UR.1915	OUTER TUBE ASSY. STD.	1	} Alt.
	UR.2397	OUTER TUBE ASSY. 1" longer	1	
	UR.2400	OUTER TUBE ASSY. 2" longer	1	
	UR.2403	OUTER TUBE ASSY. 1" shorter	1	
	UR.2406	OUTER TUBE ASSY. 2" shorter	1	
(19)	UR.774	Cam	1	



STEERING TUBES

PART ASSEMBLY UR.1918
PART ASSEMBLY UR.4572

FOR LEFT-HAND DRIVE CARS WITH MANUAL STEERING
AND AUTOMATIC GEARBOX, EXCEPT "CONTINENTAL".

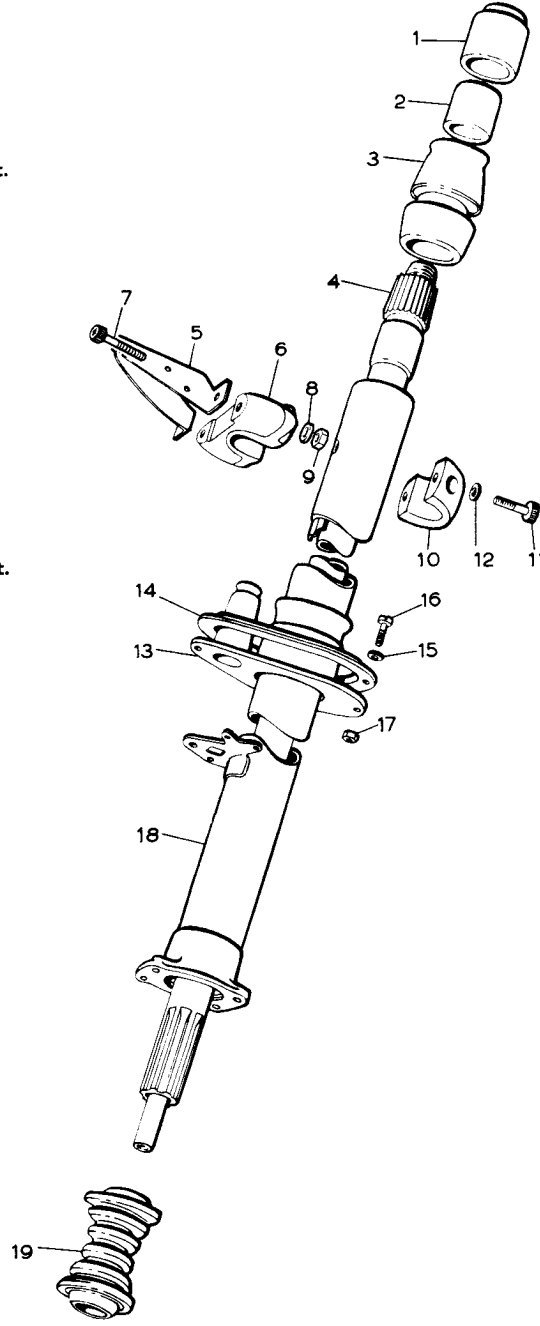


SPARES schedule

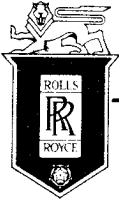
SILVER CLOUD AND BENTLEY 'S' TYPE



(1)	F.88191	Housing	1	
(2)	F.88434	Bush, "Oilite"	1	
(3)	RF.6521	Sleeve	1	
(4)	UR.2014	CAM TUBE ASSY. STD.	1	} Alt.
	UR.2576	CAM TUBE ASSY. 1" longer	1	
	UR.2377	CAM TUBE ASSY. 2" longer	1	
	UR.2574	CAM TUBE ASSY. 1" shorter	1	
	UR.2575	CAM TUBE ASSY. 2" shorter	1	
(5)	173.578	Bracket support	1	
(6)	UB.1476	Clamp, base	1	
(7)	UA.216/Z	Bolt, bracket	2	
(8)	K.4413/Z	Washer	2	
(9)	RE.22428	Nut	2	
(10)	UB.1475	Cap, clamp	1	
(11)	UB.1478	Screw	2	
(12)	UB.1477	Washer	2	
(13)	UR.1998	Seal	1	
(14)	UR.2021	Trapping ring	1	
(15)	K.4404/Z	Washer	7	
(16)	CS.30541/Z	Screw	5	
	CS.30546/Z	Screw	2	
(18)	K.4007/Z	Nut	1	
	UR.1915	OUTER TUBE ASSY. STD.	1	} Alt.
	UR.2397	OUTER TUBE ASSY. 1" longer	1	
	UR.2400	OUTER TUBE ASSY. 2" longer	1	
	UR.2403	OUTER TUBE ASSY. 1" shorter	1	
(19)	UR.2406	OUTER TUBE ASSY. 2" shorter	1	
	UR.9007	Cam	1	



STEERING TUBES
PART ASSEMBLY RH.2018
PART ASSEMBLY RH.2020
FOR LEFT-HAND DRIVE "CONTINENTAL" CARS WITH MANUAL
STEERING AND AUTOMATIC GEARBOX.



SPARES schedule

SILVER CLOUD AND BENTLEY 'S' TYPE



- (1) UR.1933 OUTER STEERING TUBE ASSY. STD. 1
- (2) F.88191 Housing 1
- (3) F.88434 Bush, "Oilite" 1
- (4) RF.6521 Sleeve 1
- UR.3549 Outer Steering Tube, 1" longer 1
- UR.3550 Outer Steering Tube, 2" longer 1
- UR.3551 Outer Steering Tube, 1" shorter 1
- UR.3552 Outer Steering Tube, 2" shorter 1
- UR.4360 OUTER STEERING TUBE ASSY. STD. 1
- UR.4361 OUTER STEERING TUBE ASSY. 1" longer 1
- UR.4362 OUTER STEERING TUBE ASSY. 2" longer 1
- UR.4363 OUTER STEERING TUBE ASSY. 1" shorter 1
- UR.4364 OUTER STEERING TUBE ASSY. 2" shorter 1
- (5) UR.1791 Housing and bush assembly 1
- (6) K.1750 Screw 5BA 2
- (7) K.4401/Z Washer 5BA 2
- (8) 173.578 Bracket, support 1
- (9) UB.1475 Cap, clamp 1
- (10) UB.1476 Base, clamp 1
- (11) UB.1478 Screw, cap 2
- (12) UB.1477 Washer 2
- (13) UA.216/Z Bolt, clamp to bracket 2
- (14) K.4413/Z Washer, bolt 2
- (15) RE.22428 Nut 2
- (16) UR.1255 Seal, column and control tube 1
- (17) 173.359 Retainer, seal 1
- (18) CS.30546/Z Screw, seal 1
- CS.30541/Z Screw, seal 9
- (19) K.4307/Z Nut 10
- (20) K.4404/Z Washer 10
- UR.2127 Seal 1
- UR.1998 Seal 1
- UR.2021 Trapping ring 1
- CS.30546/Z Screw, seal 2
- CS.30542/Z Screw, seal 5
- K.4404/Z Washer 7
- (21) UR.1936 Inner Steering Tube, Std. 1
- UR.1797 Mounting Collar 1
- UR.1796 Slip ring assembly 1
- UR.3589 Inner Steering Tube, 1" longer 1
- UR.1797 Mounting collar 1
- UR.3569 Slip ring assembly 1
- UR.3590 Inner Steering Tube, 2" longer 1
- UR.1797 Mounting collar 1
- UR.3570 Slip ring assembly 1
- UR.3591 Inner Steering Tube, 1" shorter 1
- UK.1797 Mounting collar 1
- UR.3571 Slip ring assembly 1
- UR.3592 Inner Steering Tube, 2" shorter 1
- (22) UR.1797 Mounting collar 1
- (23) UR.3572 Slip ring assembly 1
- (24) UR.1684 Spring, earth contact 1

Alt.

For use with cars with interior cooling equipment

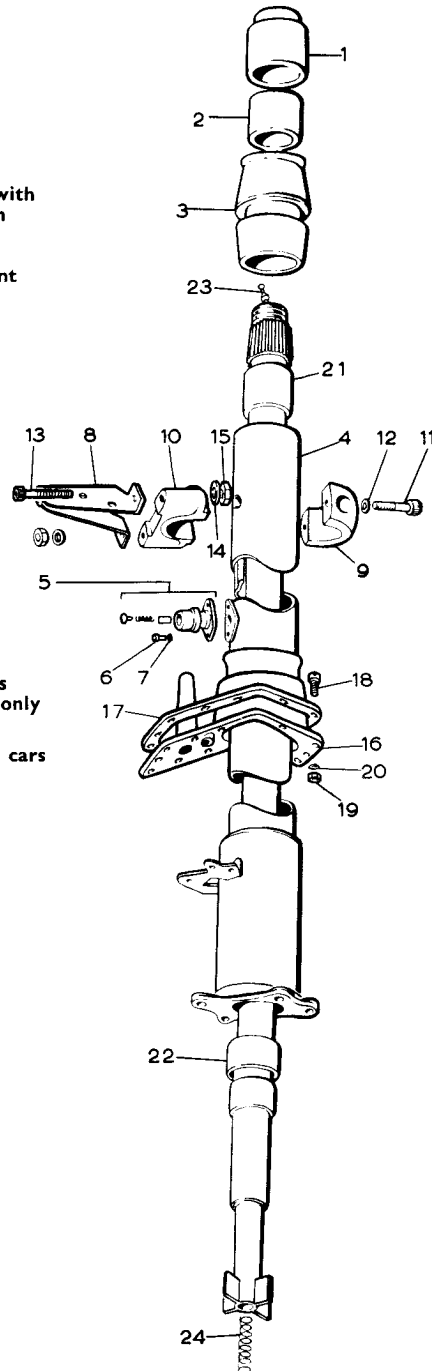
Alt.

For standard Steel cars

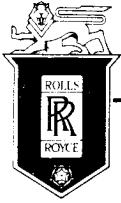
Coachbuilt cars "Continental" only

All coachbuilt cars

Alt.



STEERING TUBES
PART ASSEMBLY UR.1931
PART ASSEMBLY UR.4569
FOR LEFT-HAND DRIVE CARS WITH POWER ASSISTED STEERING
AND AUTOMATIC GEARBOX



SPARES schedule

SILVER CLOUD AND BENTLEY 'S' TYPE



	UR.1933	OUTER STEERING TUBE ASSY. STD.	1
(1)	F.88191	Housing	1
(2)	F.88434	Bush, "Oilite"	1
(3)	RF.6521	Sleeve	1
(4)	UR.3457	Outer Steering Tube, 1" longer	1
	UR.3558	Outer Steering Tube, 2" longer	1
	UR.3559	Outer Steering Tube, 1" shorter	1
	UR.3560	Outer Steering Tube, 2" shorter	1
	UR.4360	OUTER STEERING TUBE ASSY. STD.	1
	UR.4361	OUTER STEERING TUBE ASSY.	1
		1" longer	1
	UR.4362	OUTER STEERING TUBE ASSY.	1
		2" longer	1
	UR.4363	OUTER STEERING TUBE ASSY.	1
		1" shorter	1
	UR.4364	OUTER STEERING TUBE ASSY.	1
		2" shorter	1
(5)	173 578	Bracket, support	1
(6)	UB.1475	Cap, clamp	1
(7)	UB.1476	Base, clamp	1
(8)	UB.1478	Screw, cap	2
(9)	UB.1477	Washer	2
(10)	UA.216/Z	Bolt, clamp to bracket	2
(11)	K.4413/Z	Washer, bolt	2
(12)	RE.22428	Nut	2
(13)	UR.1998	Seal	1
(14)	UR.2021	Trapping ring	1
(15)	CS.30546 Z	Screw, seal	2
	CS.30542 Z	Screw, seal	5
(16)	K.4404 Z	Washer	7
(17)	K.4007 Z	Nut	7
(18)	UR.1936	Inner Steering Tube, Std.	1
(19)	UR.1797	Mounting collar	1
(20)	UR.1796	Slip ring assembly	1
	UR.3589	Inner Steering Tube, 1" longer	1
	UR.1797	Mounting collar	1
	UR.3569	Slip ring assembly	1
	UR.3590	Inner Steering Tube, 2" longer	1
	UR.1797	Mounting collar	1
	UR.3570	Slip ring assembly	1
	UR.3591	Inner Steering Tube, 1" shorter	1
	UK.1797	Mounting collar	1
	UR.3571	Slip ring assembly	1
	UR.3592	Inner Steering Tube, 2" shorter	1
	UR.1797	Mounting collar	1
	UR.3572	Slip ring assembly	1
(21)	UR.1684	Spring, earth contact	1
(22)	UR.1791	Housing and bush assembly	1
(23)	K.1750	Screw 5BA	2
(24)	K.4401 Z	Washer 5BA	2

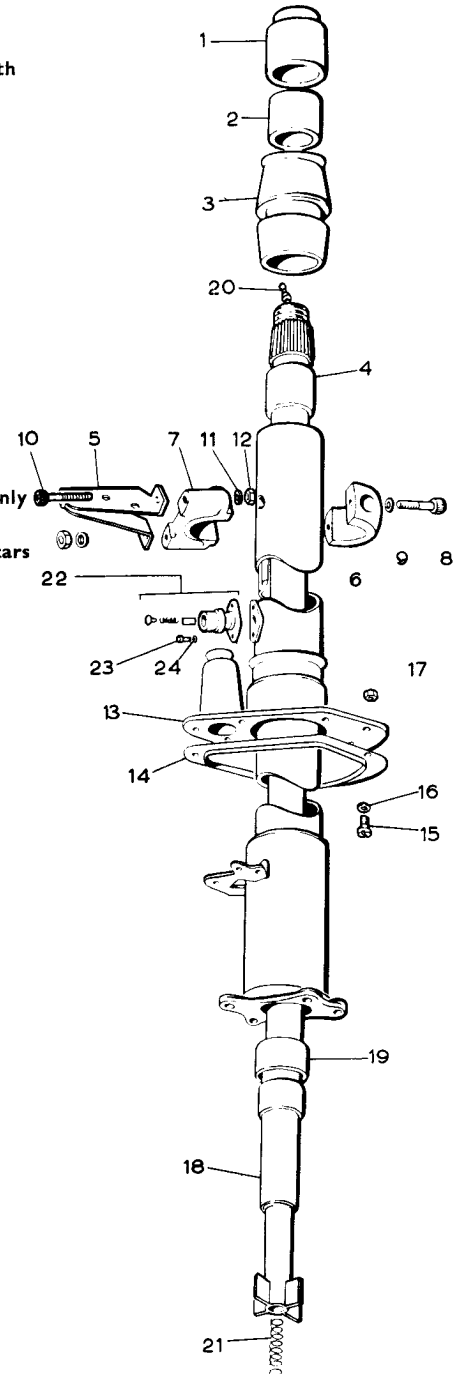
Alt. For use with cars with interior cooling equipment

Alt.

"Continental" only

All coachbuilt cars

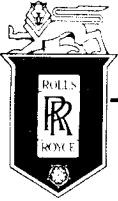
Alt.



STEERING TUBES

PART ASSEMBLY UR.4569
PART ASSEMBLY UR.3461

FOR RIGHT-HAND "CONTINENTAL" CARS WITH POWER ASSISTED STEERING AND SYNCHROMESH GEARBOX

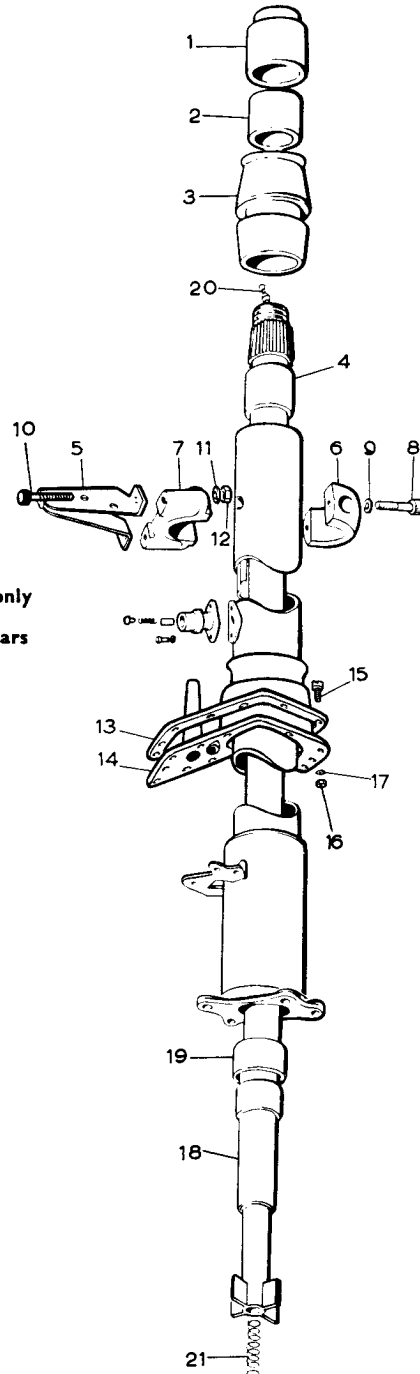


SPARES schedule

SILVER CLOUD AND BENTLEY 'S' TYPE



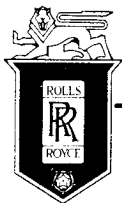
(1)	UR.1934	OUTER STEERING TUBE ASSY. STD.	1	
(2)	F.88191	Housing	1	
(3)	F.88434	Bush, "Oilite"	1	
(4)	RF.6521	Sleeve	1	
	UR.3553	Outer Steering Tube, 1' longer	1	} Alt.
	UR.3554	Outer Steering Tube, 2' longer	1	
	UR.3555	Outer Steering Tube, 1' shorter	1	
	UR.3556	Outer Steering Tube, 2' shorter	1	
	UR.4365	OUTER STEERING TUBE ASSY. STD.	1	
	UR.4366	OUTER STEERING TUBE ASSY. 1' longer	1	
	UR.4367	OUTER STEERING TUBE ASSY. 2' longer	1	} Alt.
	UR.4368	OUTER STEERING TUBE ASSY. 1' shorter	1	
	UR.4369	OUTER STEERING TUBE ASSY. 2' shorter	1	
(5)	173/578	Bracket, support	1	
(6)	UB.1475	Cap, clamp	1	
(7)	UB.1476	Base, clamp	1	
(8)	UB.1478	Screw, cap	2	
(9)	UB.1477	Washer	2	
(10)	UA.216/Z	Bolt, clamp to bracket	2	
(11)	K.4413/Z	Washer, bolt	2	
(12)	RE.22428	Nut	2	
(13)	UR.1255	Seal, column and control tube	1	} Standard
(14)	173/359	Retainer, seal	1	
(15)	CS.30541/Z	Screw, seal	10	
(16)	K.4307/Z	Nut	10	
	UR.2127	Seal	1	
	UR.1998	Seal	1	1 Coachbuilt cars
	UR.2021	Trapping ring	1	1 "Continental" only
	CS.30542/Z	Screw, seal	7	7 All Coachbuilt cars
(17)	K.4404/Z	Washer	7	
(18)	UR.1936	Inner Steering Tube, Std.	1	
	UR.1797	Mounting collar	1	
	UR.1796	Slip ring assembly	1	
	UR.3589	Inner Steering Tube, 1' longer	1	
	UR.1797	Mounting collar	1	
	UR.3659	Slip ring assembly	1	
	UR.3590	Inner Steering Tube, 2' longer	1	
	UR.1797	Mounting collar	1	} Alt.
	UR.3570	Slip ring assembly	1	
	UR.3591	Inner Steering Tube, 1' shorter	1	
	UK.1797	Mounting collar	1	
	UR.3571	Slip ring assembly	1	
	UR.3592	Inner Steering Tube, 2' shorter	1	
(19)	UR.1797	Mounting collar	1	
(20)	UR.3572	Slip ring assembly	1	
(21)	UR.1684	Spring, earth contact	1	



STEERING TUBES

PART ASSEMBLY UR.3368
PART ASSEMBLY UR.4570

FOR LEFT-HAND DRIVE CARS WITH POWER ASSISTED STEERING
AND AUTOMATIC GEARBOX.

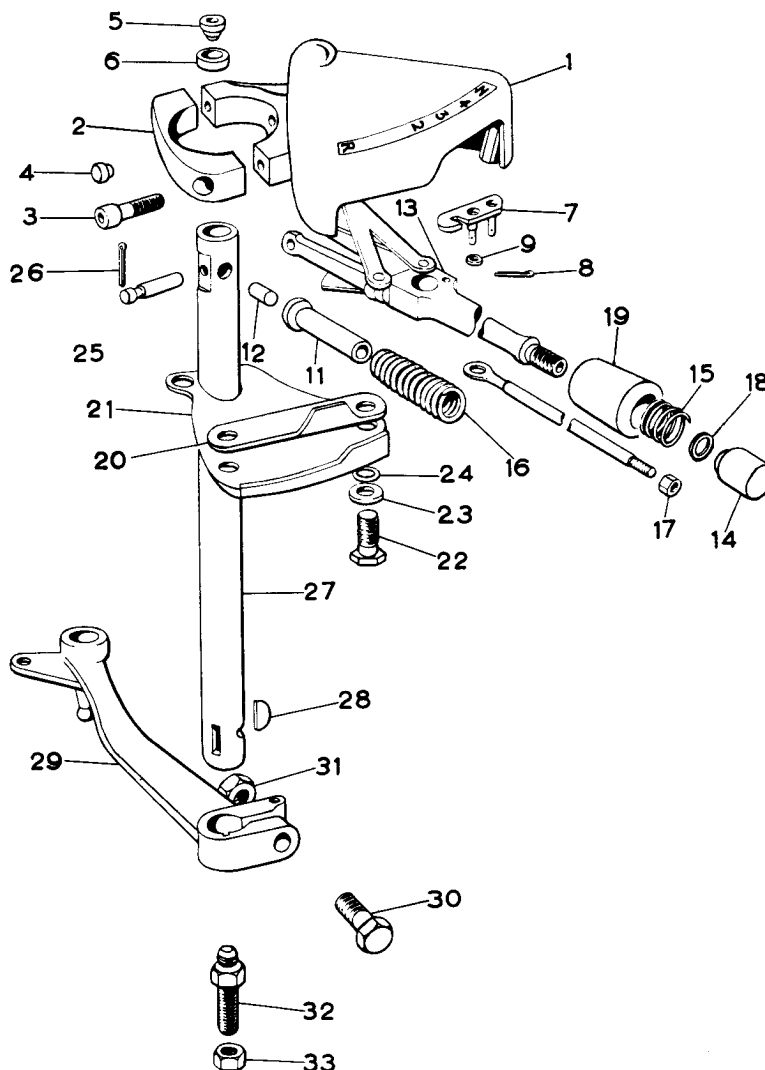


SPARES schedule

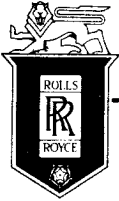
SILVER CLOUD AND BENTLEY 'S' TYPE



- (1) UR.1547 CONTROL QUADRANT ASSY. 1
- RF.10041 Captive Boss 1
- RF.9121 Forward stop plate 1
- UR.1546 Quadrant 1
- RF.9122 Reverse stop plate 1
- KC.120 Z Setscrew, forward stop plate 1
- RF.9172 Stud, reverse stop plate 1
- RF.9176 Dowel 4
- KB.7103 Tab washer 2
- (2) RF.6523 Strap 1
- (3) UR.1257 Screw, strap 2
- (4) RF.6519 Dowel, locating 1
- (5) RF.9508 Pivot, top 2
- (6) RF.9457 Bush, bearing 1
- (7) RF.9157 LEVER AND PINS ASSEMBLY 1
- RF.9120 Lever, ratchet 1
- RF.9154 Pin, ratchet lever 1
- RF.9155 Pin, operating rod 1
- (8) K.4601 Z Split Pin 2
- (9) RF.9156 Distance piece rod 1
- (10) RF.9116 Spring 1
- (11) RF.9124 Adaptor 1
- (12) RF.9145 Anchor, pin 1
- (13) UR.1572 LEVER GEAR CONTROL ASSY. 1
- UR.1213 Arm 1
- RF.9254 Fork 1
- RF.9125 Stop plate, top 1
- RF.9126 Stop plate, bottom 1
- KB.1212 Rivet 2
- (14) RF.9414 Button 1
- (15) RF.9117 Spring 1
- (16) RF.9260 Rod, control 1
- (17) K.4003 Z Nut, lever 1
- (18) UG.141 Washer 1
- (19) UR.1548 Knob, lever 1
- (20) RF.10040 Guide plate 1
- (21) RF.9115 Bottom cover 1
- (22) RF.9963 Setscrew, cover 3
- (23) RF.9970 Washer 5
- (24) RF.9964 'O' Ring 6
- (25) RF.9152 Pivot pin 1
- (26) UR.2822 Split pin, pivot 1
- (27) UR.850 Tube, operating standard 1
- UR.2378 Tube, operating 1" longer 1
- UR.2384 Tube, operating 2" longer 1
- UR.2390 Tube, operating 1" shorter 1
- UR.2396 Tube, operating 2" shorter 1
- (28) KC.505 Key, Woodruff 1
- KC.506 Key, Woodruff 1
- KC.507 Key, Woodruff 1
- KC.508 Key, Woodruff 1
- (29) UR.1158 OPERATING LEVER ASSEMBLY 1
- (30) UA.157 Z Bolt, lever 1
- (31) UA.302 Z Nut, Bolt 1
- (32) UR.392 Screw, adjusting 1
- (33) UA.302 Z Nut, screw 1



GEAR QUADRANT
 PART ASSEMBLY UR.1917 UR.2437
 PART ASSEMBLY UR.4571 RH.2021
 PART ASSEMBLY RH.2017
 FOR RIGHT-HAND DRIVE CARS WITH
 MANUAL STEERING EXCEPT N. AMERICA

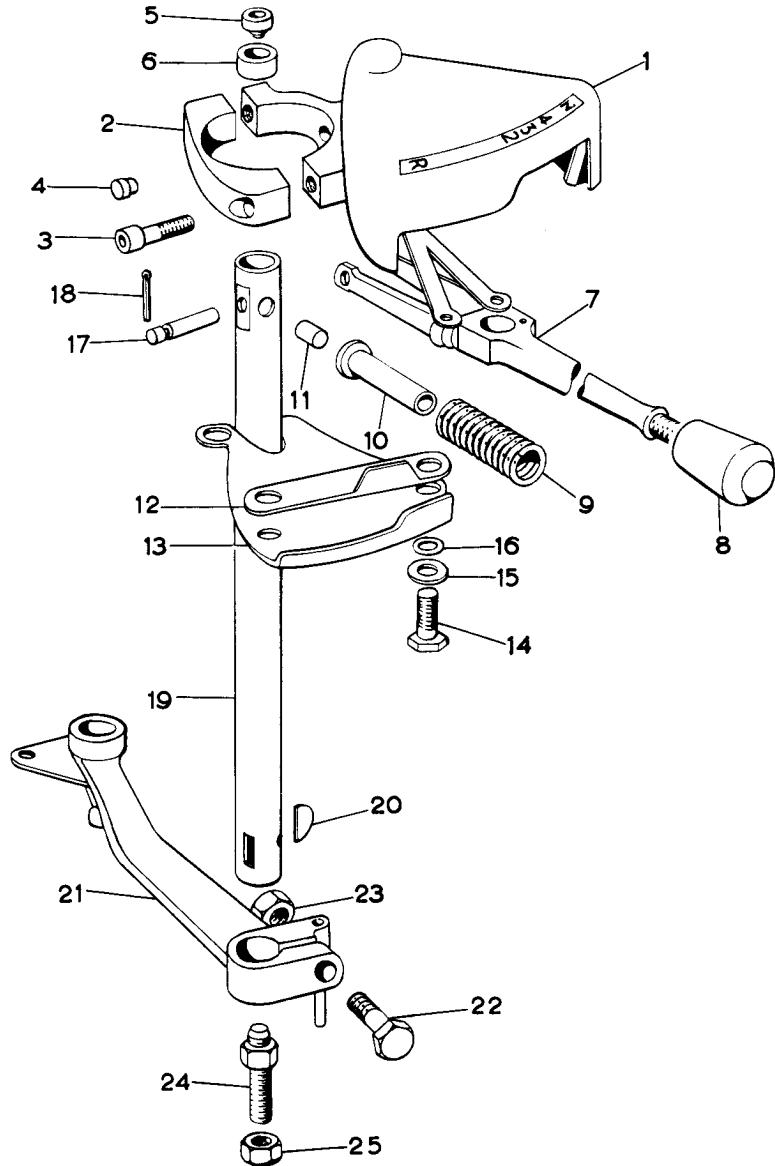


SPARES schedule

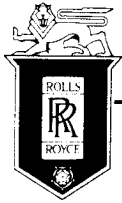
SILVER CLOUD AND BENTLEY 'S' TYPE



- (1) UR.1162 CONTROL QUADRANT ASSY. 1
- RF.10041 Captive boss 1
- UR.1168 Quadrant 1
- RF.9176 Dowel 1
- UR.1232 Reverse stop plate 1
- RF.9172 Stud, reverse plate 1
- KB.7103 Tab washer 2
- (2) RF.6523 Strap 1
- (3) UR.1257 Screw, strap 2
- (4) RF.6519 Dowel, locating 1
- (5) RF.9508 Pivot, top 1
- (6) RF.9457 Bush, bearing 2
- (7) UR.1212 LEVER GEAR CONTROL ASSY. 1
- UR.1213 Arm 1
- UR.1214 Fork 1
- RF.9125 Stop plate, top 1
- RF.9126 Stop plate, bottom 1
- KB.1878 Rivet 2
- (8) UR.1254 Knob, lever 1
- (9) RF.9116 Spring 1
- (10) RF.9124 Adaptor 1
- (11) RF.9145 Anchor pin 1
- (12) RF.10040 Guide plate 1
- (13) RF.9115 Bottom cover 1
- (14) RF.9963 Setscrew, cover 3
- (15) RF.9970 Washer 5
- (16) RF.9964 'O' Ring 6
- (17) RF.9152 Pivot pin 1
- (18) UR.2822 Split pin, pivot 1
- (19) UR.850 Tube, operating standard 1
- UR.2378 Tube, operating 1" longer 1 Alt.
- UR.2384 Tube, operating 2" longer 1
- UR.2390 Tube, operating 1" shorter 1
- UR.2396 Tube, operating 2" shorter 1
- (20) KC.505 Key, Woodruff 1
- KC.506 Key, Woodruff 1
- KC.507 Key, Woodruff 1 Alt.
- KC.508 Key, Woodruff 1
- (21) UR.1158 OPERATING LEVER ASSEMBLY 1
- (22) UA.157/Z Bolt lever 1
- (23) UA.302/Z Nut, bolt 1
- (24) UR.392 Screw, adjusting 1
- (25) UA.302/Z Nut, screw 1



GEAR QUADRANT
 PART ASSEMBLY UR.1917 UR.2437
 PART ASSEMBLY UR.4571 RH.2021
 PART ASSEMBLY RH.2017
 FOR RIGHT-HAND CAR
 WITH MANUAL STEERING—N. AMERICA

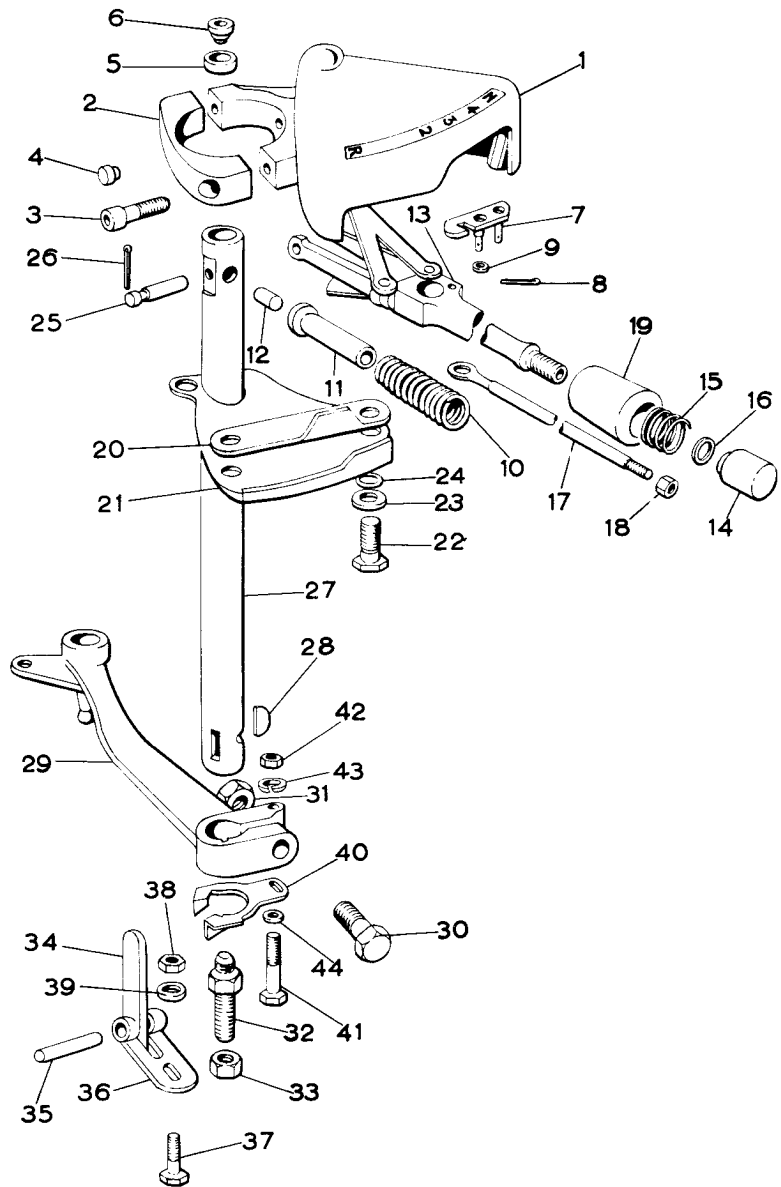


SPARES schedule

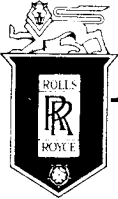
SILVER CLOUD AND BENTLEY 'S' TYPE



- (1) UR.1547 CONTROL QUADRANT ASSY. 1
- RF.9121 Forward stop plate 1
- UR.1546 Quadrant 1
- RF.9122 Reverse stop plate 1
- KC.120/Z Setscrew, forward stop plate 1
- RF.9172 Stud, reverse stop plate 1
- RF.9176 Dowel 4
- KB.7103 Tab washer 2
- (2) RF.6523 Strap 1
- (3) UR.1257 Screw, strap 2
- (4) RF.6519 Dowel, locating 1
- (5) RF.9457 Bush, bearing 2
- (6) RF.9508 Pivot, top 1
- (7) RF.9157 LEVER AND PINS ASSEMBLY 1
- RF.9120 Lever, ratchet 1
- RF.9154 Pin, ratchet lever 1
- RF.9155 Pin, operating rod 1
- (8) K.4601/Z Split pin 2
- (9) RF.9156 Distance piece rod 1
- (10) RF.9116 Spring 1
- (11) RF.9124 Adaptor 1
- (12) RF.9145 Anchor pin 1
- (13) UR.1572 LEVER GEAR CONTROL ASSY. 1
- UR.1213 Arm 1
- RF.9254 Fork 1
- RF.9125 Stop plate, top 1
- RF.9126 Stop plate, bottom 1
- KB.1212 Rivet 2
- (14) RF.9414 Button 1
- (15) RF.9117 Spring 1
- (16) UG.141 Washer 1
- (17) RF.9260 Rod, control 1
- (18) K.4003/Z Nut, lever 1
- (19) UR.1548 Knob, lever 1
- (20) RF.10040 Guide plate 1
- (21) RF.9115 Bottom cover 1
- RF.9963 Setscrew, cover 3
- RF.9970 Washer 5
- RF.9964 'O' Ring 6
- RF.9152 Pivot pin 1
- UR.2822 Split pin, pivot 1
- UR.769 Tube, operating standard 1
- UR.2399 Tube, operating 1" longer 1
- UR.2402 Tube, operating 2" longer 1
- UR.2405 Tube, operating 1" shorter 1
- UR.2408 Tube, operating 2" shorter 1
- (28) KC.505 Key, Woodruff 1
- (29) KC.506 Key, Woodruff 1
- (30) KC.507 Key, Woodruff 1
- (31) KC.508 Key, Woodruff 1
- (32) UR.1288 OPERATING LEVER ASSEMBLY 1
- (33) UA.157/Z Bolt, lever 1
- (34) UA.302/Z Nut, bolt 1
- (35) UR.1157 Screw, adjusting 1
- (36) UA.302/Z Nut, screw 1
- (37) RF.9840 Operating Lever, micro switch 1
- (38) RF.9841 Pivot pin, lever 1
- (39) RF.9842 Pivot 1
- (40) K.102/Z Bolt, pivot 1
- (41) K.4307/Z Nut 1
- (42) K.9006/Z Washer 1
- (43) UR.1893 Disc, operating switch 1
- (44) K.3708/Z Bolt 1
- K.4301/Z Nut 1
- K.9003/Z Washer, spring 1
- K.4401/Z Washer, plain 1



GEAR QUADRANT
PART ASSEMBLY UR.1918
PART ASSEMBLY UR.4572
FOR LEFT-HAND DRIVE CARS WITH MANUAL
STEERING EXCEPT "CONTINENTAL" AND
N. AMERICA

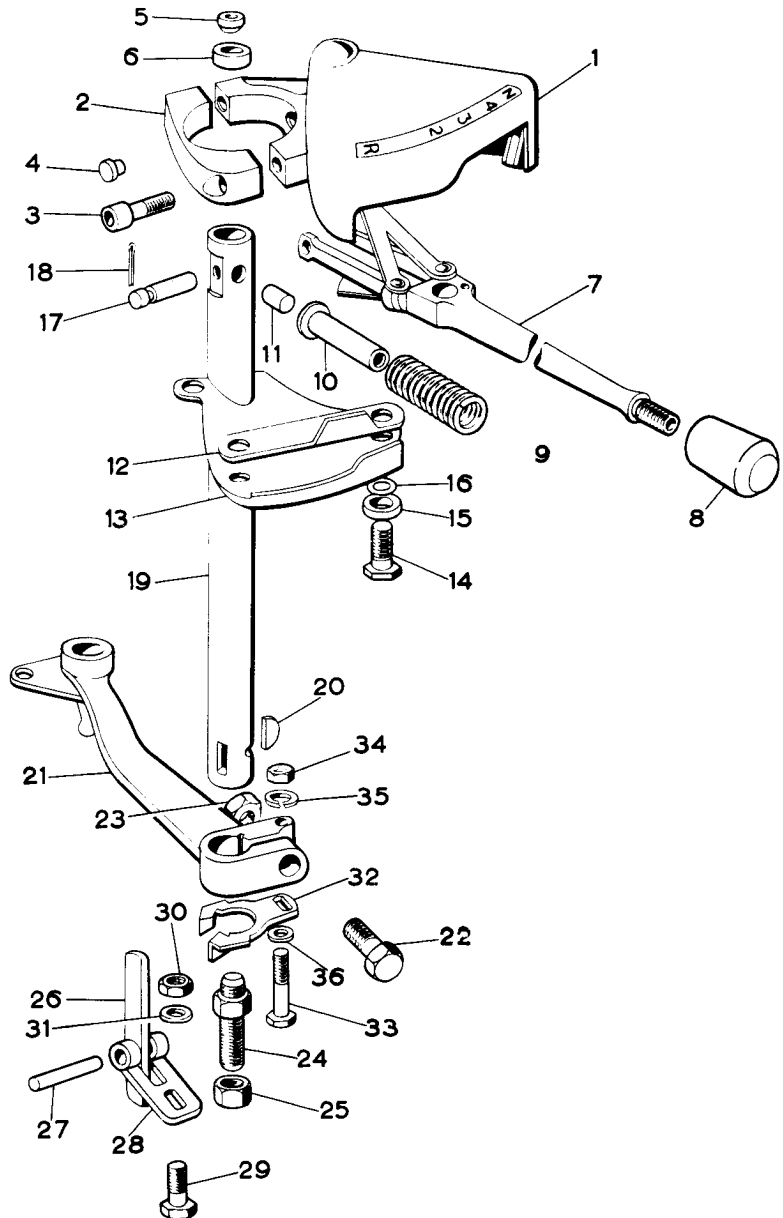


SPARES schedule

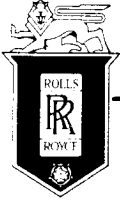
SILVER CLOUD AND BENTLEY 'S' TYPE



- (1) UR.1162 CONTROL QUADRANT ASSY. 1
- RF.10041 Captive boss 1
- UR.1168 Quadrant 1
- RF.9176 Dowel 1
- UR.1232 Reverse stop plate 1
- RF.9172 Stud, reverse plate 1
- KB.7103 Tab washer 2
- RF.6523 Strap 1
- (2) UR.1257 Screw, strap 2
- (3) RF.6519 Dowel, locating 1
- (4) RF.9508 Pivot, top 1
- (5) RF.9457 Bush, bearing 2
- (6) UR.1212 LEVER GEAR CONTROL ASSY. 1
- (7) UR.1213 Arm 1
- UR.1214 Fork 1
- RF.9125 Stop plate, top 1
- RF.9126 Stop plate, bottom 1
- KB.1878 Rivet 2
- (8) UR.1254 Knob, lever 1
- (9) RF.9116 Spring 1
- (10) RF.9124 Adaptor 1
- (11) RF.9145 Anchor pin 1
- (12) RF.10040 Guide plate 1
- (13) RF.9115 Bottom cover 1
- (14) RF.9963 Setscrew, cover 3
- (15) RF.9970 Washer 5
- (16) RF.9964 'O' Ring 6
- (17) RF.9152 Pivot pin 1
- (18) UR.2822 Split pin, pivot 1
- (19) UR.769 Tube, operating standard 1
- UR.2399 Tube, operating 1" longer 1
- UR.2402 Tube, operating 2" longer 1
- UR.2405 Tube, operating 1" shorter 1
- UR.2408 Tube, operating 2" shorter 1
- (20) KC.505 Key, Woodruff 1
- KC.506 Key, Woodruff 1
- KC.507 Key, Woodruff 1
- KC.508 Key, Woodruff 1
- (21) UR.1288 OPERATING LEVER ASSEMBLY 1
- (22) UA.157 Z Bolt, lever 1
- (23) UA.302 Z Nut, bolt 1
- (24) UR.1157 Screw, adjusting 1
- (25) UA.302 Z Nut, screw 1
- (26) RF.9840 Operating Lever, micro switch 1
- (27) RF.9841 Pivot pin, lever 1
- (28) RF.9842 Pivot 1
- (29) K.102 Z Bolt pivot 1
- (30) K.4307 Z Nut 1
- (31) K.9006 Z Washer 1
- (32) UR.1893 Disc, operating switch 1
- (33) K.3708 Z Bolt 1
- (34) K.4301 Z Nut 1
- (35) K.9003 Z Washer, spring 1
- (36) K.4401 Z Washer, plain 1



GEAR QUADRANT
PART ASSEMBLY UR.1918
PART ASSEMBLY UR.4572
FOR LEFT-HAND DRIVE CARS WITH MANUAL
STEERING
N. AMERICA—EXCEPT "CONTINENTAL"

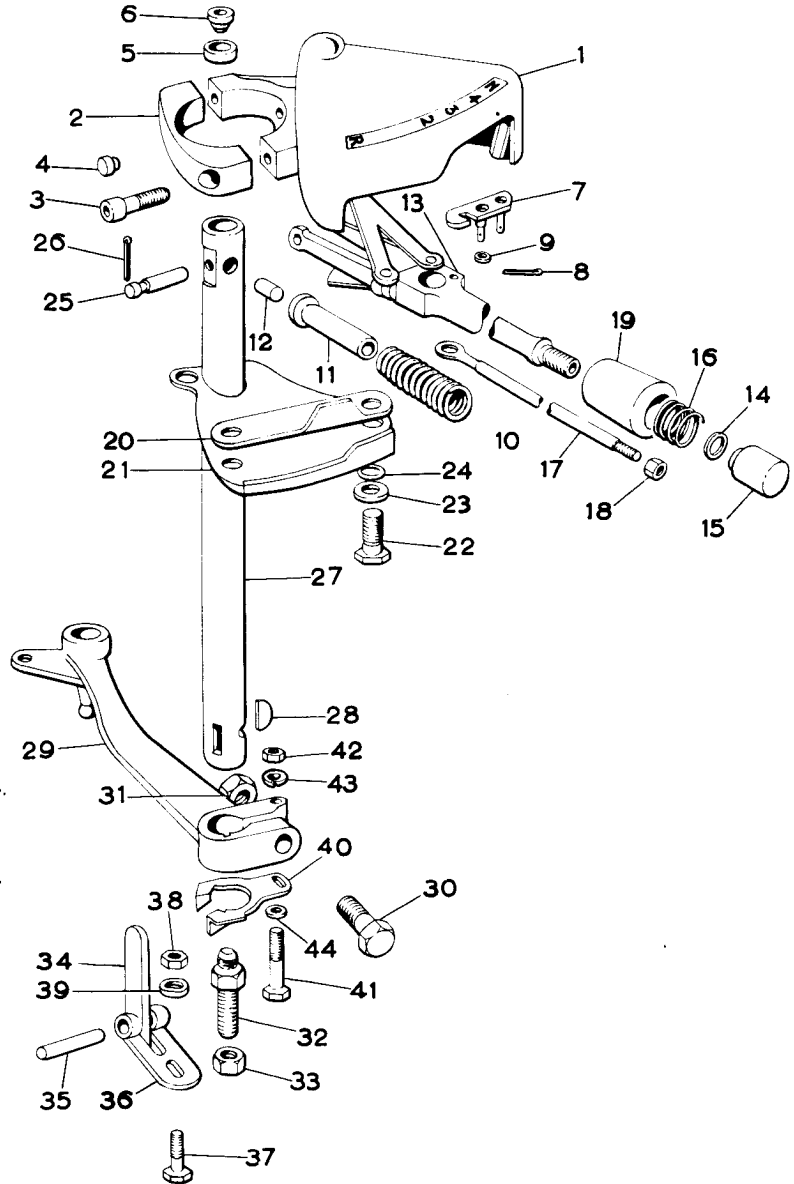


SPARES schedule

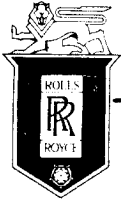
SILVER CLOUD AND BENTLEY 'S' TYPE



- (1) UR.1547 CONTROL QUADRANT ASSY. 1
- RF.9121 Forward stop plate 1
- UR.1546 Quadrant 1
- RF.9122 Reverse stop plate 1
- KC.120 Z Setscrew, forward stop plate 1
- RF.9172 Stud, reverse stop plate 1
- RF.9176 Dowel 4
- KB.7103 Tab washer 2
- (2) RF.6523 Strap 1
- (3) UR.1257 Screw, strap 2
- (4) RF.6519 Dowel, locating 1
- (5) RF.9457 Bush, bearing 2
- (6) RF.9508 Pivot, top 1
- (7) RF.9157 LEVER AND PINS ASSEMBLY 1
- RF.9120 Lever, ratchet 1
- RF.9154 Pin, ratchet lever 1
- RF.9155 Pin, operating rod 1
- (8) K.4601 Z Split pin 2
- (9) RF.9156 Distance piece rod 1
- (10) RF.9116 Spring 1
- (11) RF.9124 Adaptor 1
- (12) RF.9145 Anchor pin 1
- (13) UR.1572 LEVER GEAR CONTROL ASSY. 1
- UR.1213 Arm 1
- RF.9254 Fork 1
- RF.9125 Stop plate, top 1
- RF.9126 Stop plate, bottom 1
- KB.1212 Rivet 2
- (14) UG.141 Washer 1
- (15) RF.9414 Button 1
- (16) RF.9117 Spring 1
- (17) RF.9260 Rod, control 1
- (18) K.4003 Z Nut, lever 1
- (19) UR.1548 Knob, lever 1
- (20) RF.10040 Guide plate 1
- (21) RF.9115 Bottom cover 1
- (22) RF.9963 Setscrew, cover 3
- (23) RF.9970 Washer 5
- (24) RF.9964 'O' Ring 6
- (25) RF.9152 Pivot pin 1
- (26) UR.2822 Split pin, pivot 1
- (27) UR.1851 Tube, operating standard 1
- UR.2582 Tube, operating 1" longer 1
- UR.2583 Tube, operating 2" longer 1
- UR.2584 Tube, operating 1" shorter 1
- UR.2585 Tube, operating 2" shorter 1
- (28) KC.505 Key, Woodruff 1
- KC.506 Key, Woodruff 1
- KC.507 Key, Woodruff 1
- KC.508 Key, Woodruff 1
- (29) UR.1288 OPERATING LEVER ASSEMBLY 1
- (30) UA.157 Z Bolt, lever 1
- (31) UA.302 Z Nut, bolt 1
- (32) UR.1157 Screw, adjusting 1
- (33) UA.302 Z Nut, screw 1
- (34) RF.9840 Operating lever, micro switch 1
- (35) RF.9841 Pivot pin, lever 1
- (36) RF.9842 Pivot 1
- (37) K.102 Z Bolt pivot 1
- (38) K.4307 Z Nut 1
- (39) K.9006 Z Washer 1
- (40) UR.1893 Disc, operating switch 1
- (41) K.3708 Z Bolt 1
- (42) K.4301 Z Nut 1
- (43) K.9003 Z Washer, spring 1
- (44) K.4401 Z Washer, plain 1



GEAR QUADRANT
PART ASSEMBLY RH.2018
PART ASSEMBLY RH.2020
FOR LEFT-HAND DRIVE "CONTINENTAL" CARS
WITH MANUAL STEERING, EXCEPT N. AMERICA

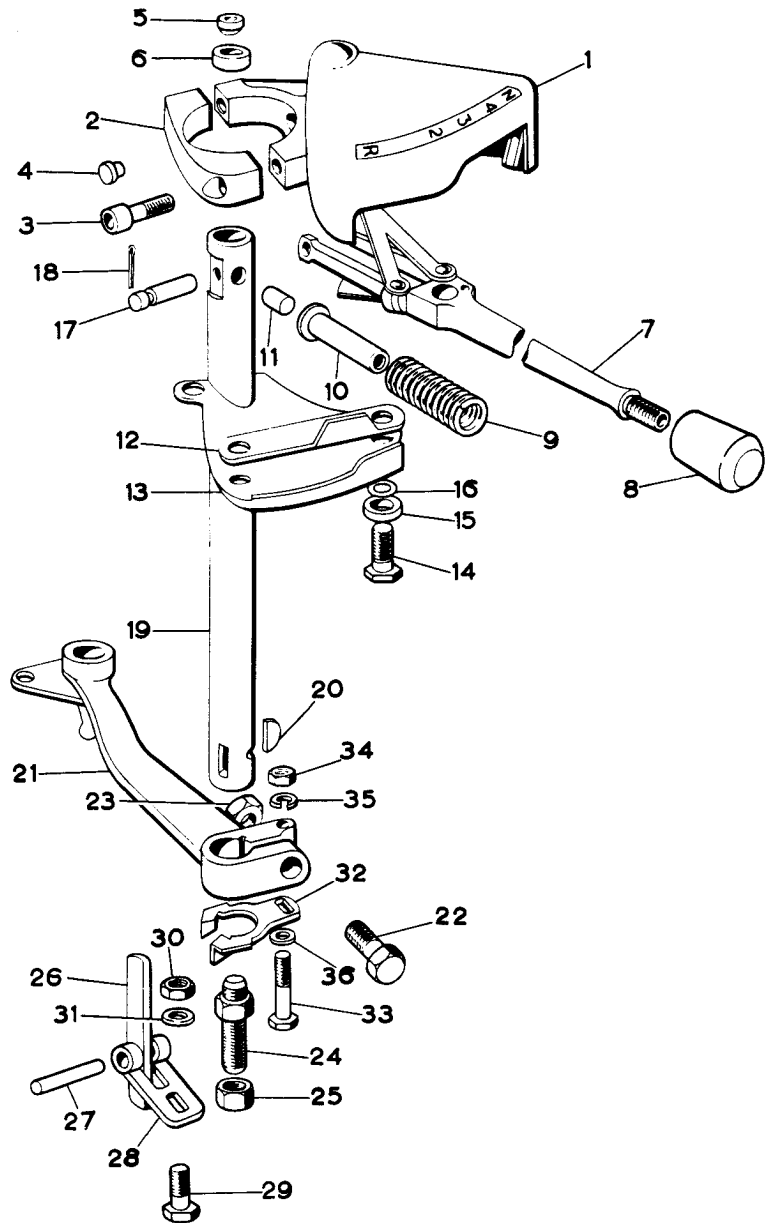


SPARES schedule

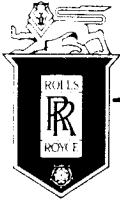
SILVER CLOUD AND BENTLEY 'S' TYPE



(1)	UR.1162	CONTROL QUADRANT ASSY.	1
	RF.10041	Captive boss	1
	UR.1168	Quadrant	1
	RF.9176	Dowel	1
	UR.1232	Reverse stop plate	1
	RF.9172	Stud, reverse plate	1
	KB.7103	Tab washer	2
(2)	RF.6523	Strap	1
(3)	UR.1257	Screw, strap	2
(4)	RF.6519	Dowel, locating	2
(5)	RF.9508	Pivot, top	1
(6)	RF.9457	Bush, bearing	2
(7)	UR.1212	LEVER GEAR CONTROL ASSY.	1
	UR.1213	Arm	1
	UR.1214	Fork	1
	RF.9125	Stop plate, top	1
	RF.9126	Stop plate, bottom	1
	KB.1878	Rivet	2
(8)	UR.1254	Knob lever	1
(9)	RF.9116	Spring	1
(10)	RF.9124	Adaptor	1
(11)	RF.9145	Anchor pin	1
(12)	RF.10040	Guide plate	1
(13)	RF.9115	Bottom cover	1
(14)	RF.9963	Setscrew, cover	3
(15)	RF.9970	Washer	5
(16)	RF.9964	'O' Ring	6
(17)	RF.9152	Pivot pin	1
(18)	UR.2822	Split pin, pivot	1
(19)	UR.1851	Tube, operating standard	1
	UR.2582	Tube, operating 1" longer	1
	UR.2583	Tube, operating 2" longer	1
	UR.2584	Tube, operating 1" shorter	1
	UR.2585	Tube, operating 2" shorter	1
(20)	KC.505	Key, Woodruff	1
	KC.506	Key, Woodruff	1
	KC.507	Key, Woodruff	1
	KC.508	Key, Woodruff	1
(21)	UR.1288	OPERATING LEVER ASSEMBLY	1
(22)	UA.157/Z	Bolt, lever	1
(23)	UA.302/Z	Nut, bolt	1
(24)	UR.1157	Screw, adjusting	1
(25)	UA.302/Z	Nut, screw	1
(26)	RF.9840	Operating Lever, micro switch	1
(27)	RF.9841	Pivot pin, lever	1
(28)	RF.9842	Pivot	1
(29)	K.102/Z	Bolt pivot	1
(30)	K.4307/Z	Nut	1
(31)	K.9006/Z	Washer	1
(32)	UR.1893	Disc, operating switch	1
(33)	K.3708/Z	Bolt	1
(34)	K.4301/Z	Nut	1
(35)	K.9003/Z	Washer, spring	1
(36)	K.4401/Z	Washer, plain	1



GEAR QUADRANT
PART ASSEMBLY RH.2018
PART ASSEMBLY RH.2020
FOR LEFT-HAND DRIVE "CONTINENTAL" CARS
WITH MANUAL STEERING—N. AMERICA.

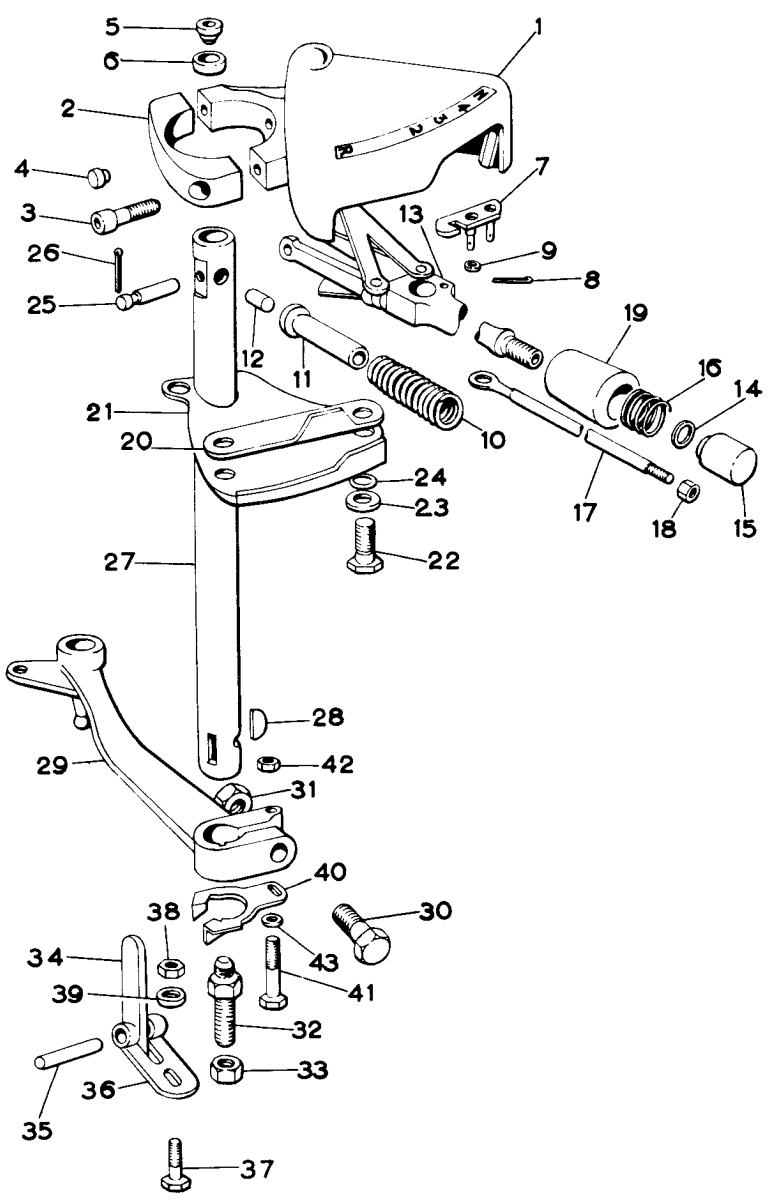


SPARES schedule

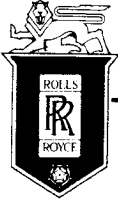
SILVER CLOUD AND BENTLEY 'S' TYPE



- (1) UR.1547 CONTROL QUADRANT ASSY. 1
- RF.10041 Captive boss 1
- RF.9121 Forward stop plate 1
- UR.1546 Quadrant 1
- RF.9122 Reverse stop plate 1
- KC.120 Z Setscrew, forward stop plate 1
- RF.9172 Stud, reverse stop plate 1
- RF.9176 Dowel 4
- KB.7103 Tab washer 2
- RF.6523 Strap 1
- (2) UR.1257 Screw, strap 2
- (3) RF.6519 Dowel, locating 1
- (4) RF.9508 Pivot, top 1
- (5) RF.9457 Bush, bearing 2
- (6) RF.9157 LEVER AND PINS ASSEMBLY 1
- RF.9120 Lever, ratchet 1
- RF.9154 Pin, ratchet lever 1
- RF.9155 Pin, operating rod 1
- (8) K.4601 Z Split pin 2
- (9) RF.9156 Distance piece rod 1
- (10) RF.9116 Spring 1
- (11) RF.9124 Adaptor 1
- (12) RF.9145 Anchor pin 1
- (13) UR.1572 LEVER GEAR CONTROL ASSY. 1
- UR.1213 Arm 1
- RF.9254 Fork 1
- RF.9125 Stop plate, top 1
- RF.9126 Stop plate, bottom 1
- KB.1878 Rivet 2
- (14) UG.141 Washer 1
- (15) RF.9414 Button 1
- (16) RF.9117 Spring 1
- (17) RF.9260 Rod, control 1
- (18) K.4003 Z Nut, lever 1
- (19) UR.1548 Knob, lever 1
- (20) RF.10040 Guide plate 1
- (21) RF.9115 Bottom cover 1
- (22) RF.9963 Setscrew, cover 3
- (23) RF.9970 Washer 5
- (24) RF.9964 'O' Ring 6
- (25) RF.9152 Pivot pin 1
- (26) UR.2822 Split pin, pivot 1
- (27) UR.850 Tube, operating standard 1
- UR.3609 Tube, operating 1" longer 1
- UR.3610 Tube, operating 2" longer 1
- UR.3611 Tube, operating 1" shorter 1
- UR.3612 Tube, operating 2" shorter 1
- UR.1851 Tube, operating standard 1
- UR.3613 Tube, operating 1" longer 1
- UR.3614 Tube, operating 2" longer 1
- UR.3615 Tube, operating 1" shorter 1
- UR.3616 Tube, operating 2" shorter 1
- (28) KC.505 Key, Woodruff 1
- KC.506 Key, Woodruff 1
- KC.507 Key, Woodruff 1
- KC.508 Key, Woodruff 1
- (29) UR.1288 OPERATING LEVER ASSEMBLY 1
- (30) UA.157 Z Bolt, lever 1
- (31) UA.302 Z Nut, bolt 1
- (32) UR.1157 Screw, adjusting 1
- (33) UA.302 Z Nut, screw 2
- (34) RF.9840 Operating lever, micro switch 1
- (35) UR.1869 Pivot pin, lever 1
- (36) UR.1868 Pivot 1
- K.102 Z Bolt, pivot 1
- K.4307 Z Nut 1
- K.4404 Z Washer 1
- UR.1893 Disc, operating switch 1
- K.3708 Z Bolt 1
- K.4301 Z Nut 1
- K.4401 Z Washer 2



GEAR QUADRANT
 PART ASSEMBLY UR.3368 UR.1931
 PART ASSEMBLY UR.4569 UR.3461
 PART ASSEMBLY UR.4570
 FOR ALL CARS WITH POWER ASSISTED STEERING
 AND AUTOMATIC GEARBOX, EXCEPT N. AMERICA

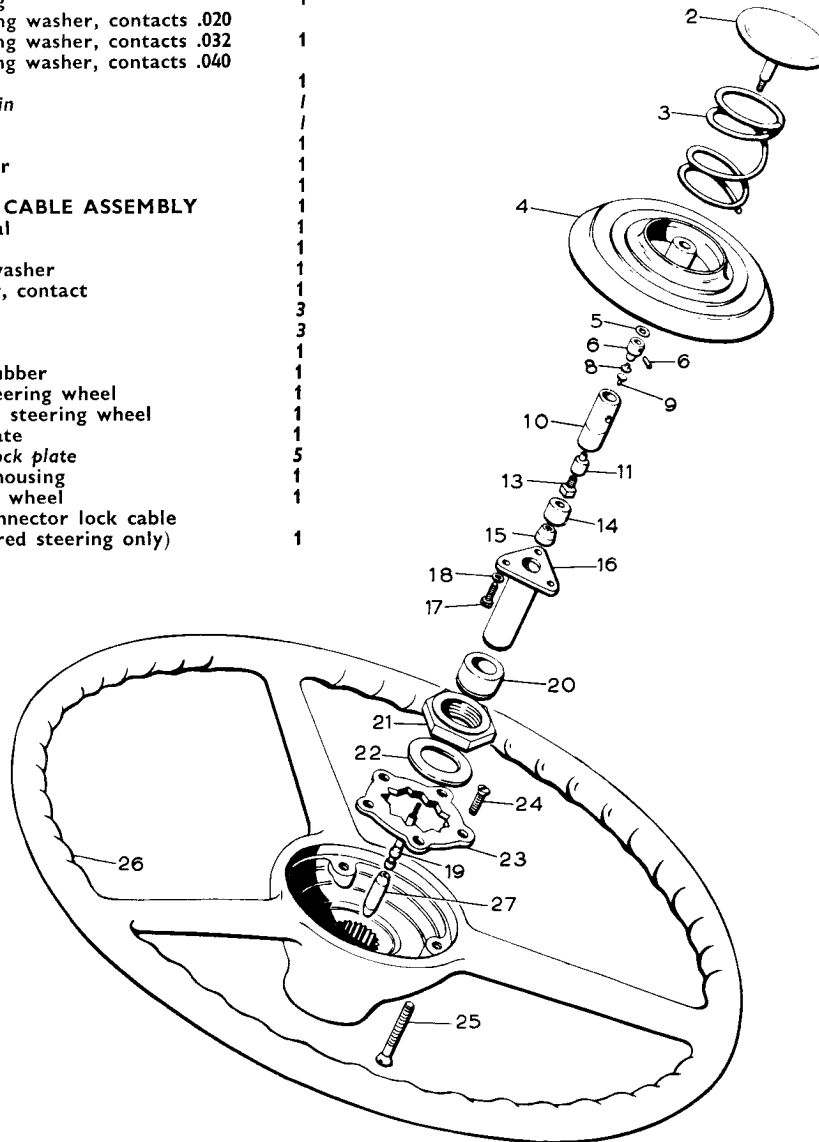


SPARES schedule

SILVER CLOUD AND BENTLEY 'S' TYPE



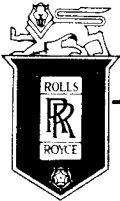
(1)	RH.218	HORN BUTTON, HOUSING ASSY.	1
(2)	RF.10306	Horn button assembly	1
(3)	RF.4435	Spring	1
(4)	UR.1906	Housing	1
(5)	FB.532	Adjusting washer, contacts .020	
	FB.533	Adjusting washer, contacts .032	1
	FB.534	Adjusting washer, contacts .040	
(6)	F.58687	Nut	1
(7)	K.4870 Z	Taper pin	1
(8)	F.83987	Contact	1
(9)	F.83987	Contact	1
(10)	RE.3424	Insulator	1
(11)	F.58687	Nut	1
(12)	F.58688 SA	HORN CABLE ASSEMBLY	1
(13)	F.58688	Terminal	1
(14)	UR.2371	Bush	1
(15)	RD.6164	Gland washer	1
(16)	UR.1912	Housing, contact	1
(17)	K.4446 Z	Screw	3
(18)	K.1807 Z	Washer	3
(19)	UD.2142	Nipple	1
(20)	UR.1913	Bush, rubber	1
(21)	UR.2283	Nut, steering wheel	1
(22)	E.72975	Washer, steering wheel	1
(23)	UR.1908	Lock plate	1
(24)	K.2604 Z	Screw, lock plate	5
(25)	K.2830 Z	Screw, housing	1
(26)	UR.1890	Steering wheel	1
(27)	RD.7050	Snap connector lock cable (powered steering only)	1



STEERING WHEEL

PAGE NO. K.29.

PRINTED IN ENGLAND

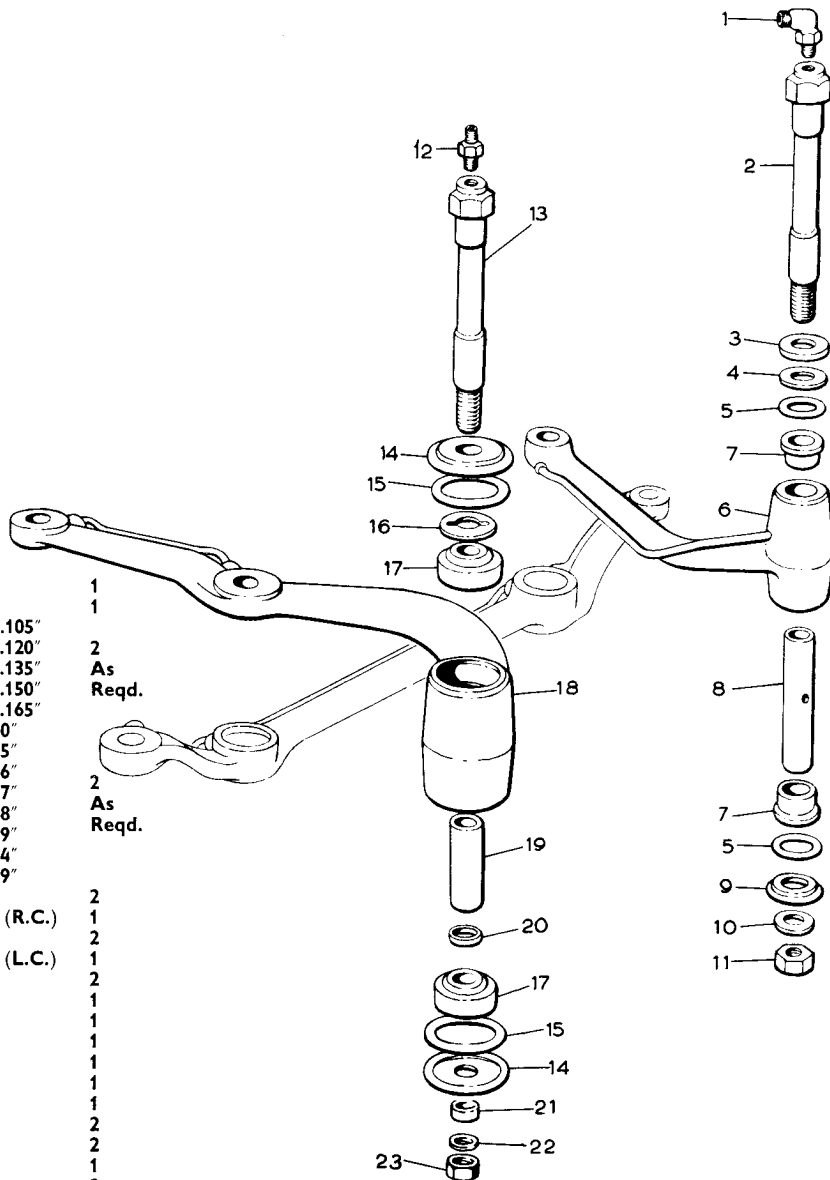


SPARES schedule

SILVER CLOUD AND BENTLEY 'S' TYPE



(1)	UR.2506	Meter valve, elbow	1
(2)	UR.1121	Pin, idler lever	1
(3)	UR.1309	Washer, adjusting bearing, .105"	2
	UR.1310	Washer, adjusting bearing, .120"	As
	UR.1311	Washer, adjusting bearing, .135"	Reqd.
	UR.1312	Washer, adjusting bearing, .150"	
	UR.1313	Washer, adjusting bearing, .165"	
(4)	UR.2354	Washer, adjusting lever, .030"	2
	UR.2355	Washer, adjusting lever, .035"	As
	UR.2356	Washer, adjusting lever, .036"	Reqd.
	UR.2357	Washer, adjusting lever, .037"	
	UR.2358	Washer, adjusting lever, .038"	
	UR.2359	Washer, adjusting lever, .039"	
	UR.2360	Washer, adjusting lever, .044"	
	UR.2361	Washer, adjusting lever, .049"	
(5)	FB.3940	Seal	2
(6)	UR.1040	IDLER LEVER ASSEMBLY, (R.C.)	1
(7)	UR.1041	Bush, lever	2
	UR.1034	IDLER LEVER ASSEMBLY, (L.C.)	1
	UR.1041	Bush, lever	2
(8)	UR.1118	Distance tube	1
(9)	UR.1119	Washer, oil seal	1
(10)	UA.1254/Z	Washer, pin	1
(11)	UA.304/Z	Nut, pin	1
(12)	UR.2265	Meter valve, straight	1
(13)	UR.1121	Pin, centre lever	1
(14)	UR.1111	Retainer, seal	2
(15)	UR.1112	Ring, sealing	2
(16)	UR.1116	Washer, oil transfer	1
(17)	UR.1134	Bearing, taper roller	2
(18)	UR.2467	CENTRE STEERING LEVER, ASSY. (R.C.)	
	UR.2465	CENTRE STEERING LEVER, ASSY. (L.C.)	
(19)	UR.1113	Distance piece, bearings	1
(20)	UR.1114	Washer, adjusting bearings	1
(21)	UR.3206	Washer, adjusting lever, .100"	1
	UR.3207	Washer, adjusting lever, .125"	As
	UR.3208	Washer, adjusting lever, .150"	Reqd.
	UR.3209	Washer, adjusting lever, .175"	
	UR.1115	Washer, adjusting lever, .187"	
	UR.1441	Washer, adjusting lever, .250"	
(22)	UA.1254/Z	Washer, pin	1
(23)	UA.304/Z	Nut, pin	1



CENTRE STEERING LEVER AND IDLER LEVER

MANUALLY OPERATED STEERING WITH
OIL LUBRICATION OF BALL JOINTS

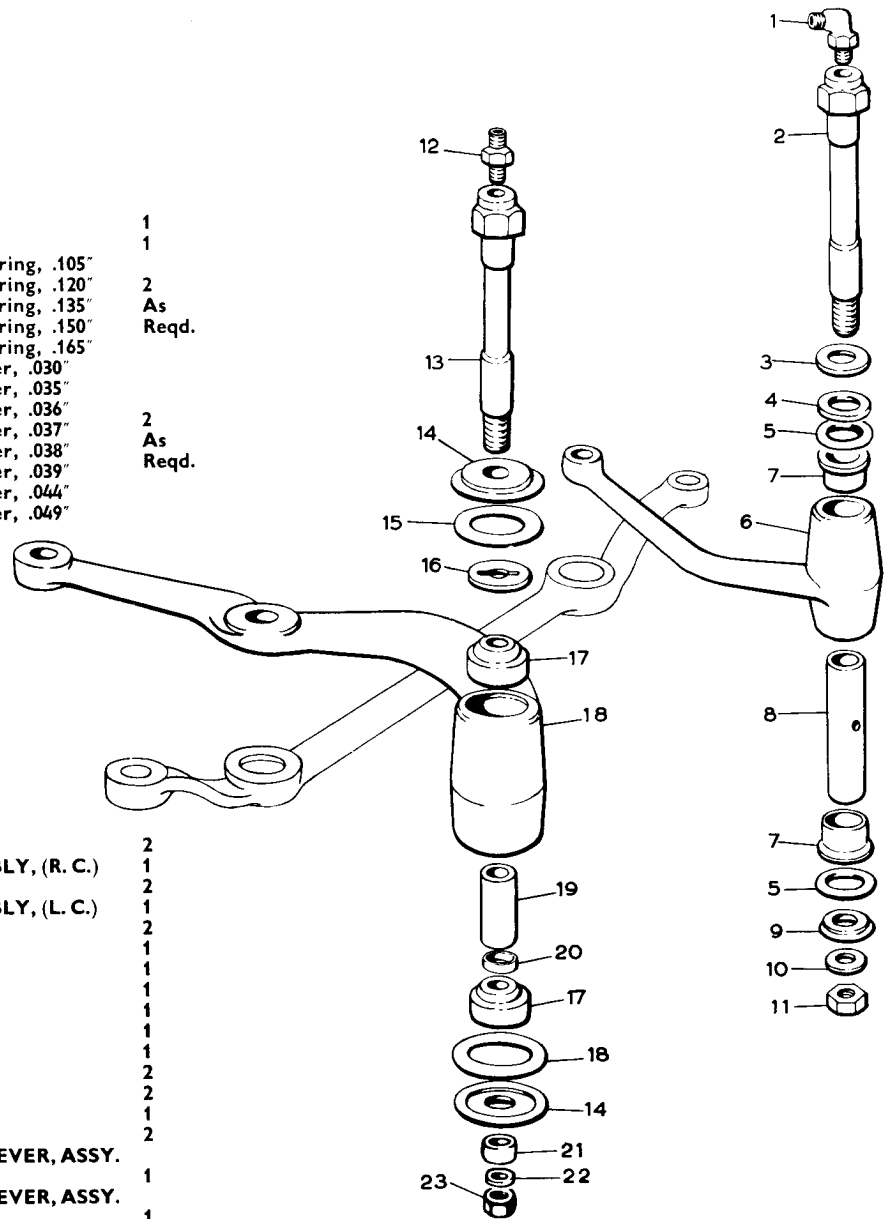


SPARES schedule

SILVER CLOUD AND BENTLEY 'S' TYPE

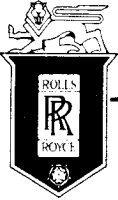


(1)	UR.2264	Meter valve, elbow	1
(2)	UR.1121	Pin, idler lever	1
(3)	UR.1309	Washer, adjusting bearing, .105"	1
	UR.1310	Washer, adjusting bearing, .120"	2
	UR.1311	Washer, adjusting bearing, .135"	As
	UR.1312	Washer, adjusting bearing, .150"	Reqd.
	UR.1313	Washer, adjusting bearing, .165"	
(4)	UR.2354	Washer, adjusting lever, .030"	
	UR.2355	Washer, adjusting lever, .035"	
	UR.2356	Washer, adjusting lever, .036"	2
	UR.2357	Washer, adjusting lever, .037"	As
	UR.2358	Washer, adjusting lever, .038"	Reqd.
	UR.2359	Washer, adjusting lever, .039"	
	UR.2360	Washer, adjusting lever, .044"	
	UR.2361	Washer, adjusting lever, .049"	
(5)	FB.3940	Seal	2
(6)	UR.4131	IDLER LEVER ASSEMBLY, (R. C.)	1
(7)	UR.1041	Bush, lever	2
	UR.4132	IDLER LEVER ASSEMBLY, (L. C.)	1
	UR.1041	Bush, lever	2
(8)	UR.1118	Distance tube	1
(9)	UR.1119	Washer, oil seal	1
(10)	UA.1254/Z	Washer, pin	1
(11)	UA.304/Z	Nut, pin	1
(12)	UR.2264	Meter valve, straight	1
(13)	UR.1121	Pin, centre lever	1
(14)	UR.1111	Retainer, seal	2
(15)	UR.1112	Ring, sealing	2
(16)	UR.1116	Washer, oil transfer	1
(17)	UR.1134	Bearing, taper roller	2
(18)	UR.3914	CENTRE STEERING LEVER, ASSY. (R. C.)	1
	UR.3913	CENTRE STEERING LEVER, ASSY. (L. C.)	1
(19)	UR.1113	Distance piece, bearings	1
(20)	UR.1114	Washer, adjusting bearings	1
(21)	UR.3206	Washer, adjusting lever, .100"	
	UR.3207	Washer, adjusting lever, .125"	
	UR.3208	Washer, adjusting lever, .150"	1
	UR.3209	Washer, adjusting lever, .175"	As
	UR.1115	Washer, adjusting lever, .187"	Reqd.
	UR.1441	Washer, adjusting lever, .250"	
(22)	UA.1254/Z	Washer, pin	1
(23)	UA.304/Z	Nut, pin	1



CENTRE STEERING LEVER AND IDLER LEVER

MANUALLY OPERATED STEERING WITH
GREASE LUBRICATION OF BALL JOINTS



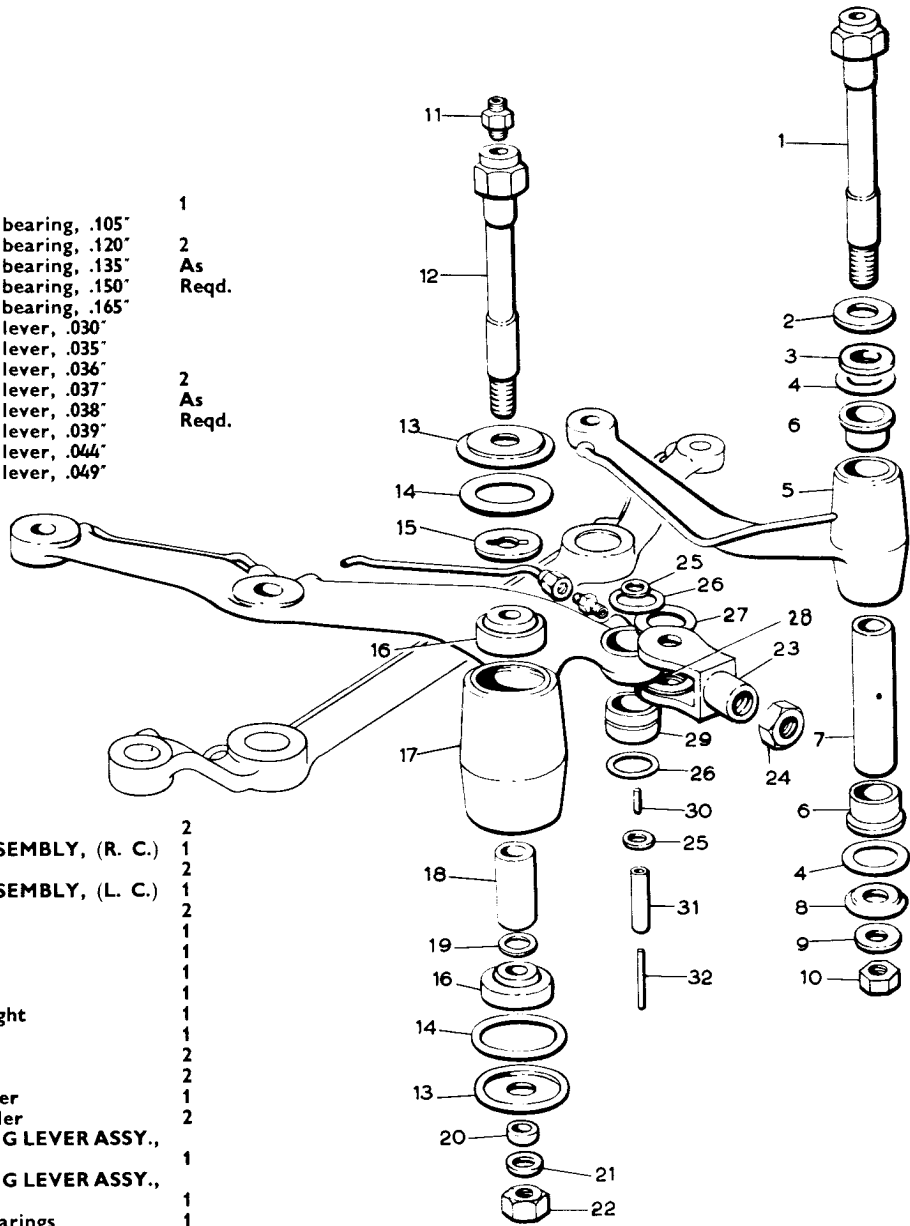
SPARES schedule

SILVER CLOUD AND BENTLEY 'S' TYPE

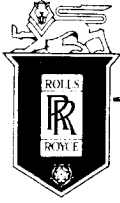


- | | | | |
|-----|---------|----------------------------------|------------------|
| (1) | UR.1121 | Pin, idler lever | 1 |
| (2) | UR.1309 | Washer, adjusting bearing, .105" | 2
As
Reqd. |
| | UR.1310 | Washer, adjusting bearing, .120" | |
| | UR.1311 | Washer, adjusting bearing, .135" | |
| | UR.1312 | Washer, adjusting bearing, .150" | |
| | UR.1313 | Washer, adjusting bearing, .165" | |
| (3) | UR.2354 | Washer, adjusting lever, .030" | 2
As
Reqd. |
| | UR.2355 | Washer, adjusting lever, .035" | |
| | UR.2356 | Washer, adjusting lever, .036" | |
| | UR.2357 | Washer, adjusting lever, .037" | |
| | UR.2358 | Washer, adjusting lever, .038" | |
| | UR.2359 | Washer, adjusting lever, .039" | |
| | UR.2360 | Washer, adjusting lever, .044" | |
| | UR.2361 | Washer, adjusting lever, .049" | |

- | | | | |
|------|-----------|--------------------------------------|-------------|
| (4) | FB.3940 | Seal | 2 |
| (5) | UR.1040 | IDLER LEVER ASSEMBLY, (R. C.) | 1 |
| (6) | UR.1041 | Bush, lever | 2 |
| | UR.1034 | IDLER LEVER ASSEMBLY, (L. C.) | 1 |
| | UR.1041 | Bush, lever | 2 |
| (7) | UR.1118 | Distance tube | 1 |
| (8) | UR.1119 | Washer, oil seal | 1 |
| (9) | UA.1254/Z | Washer, pin | 1 |
| (10) | UA.304/Z | Nut, pin | 1 |
| (11) | UR.2264 | Meter valve, straight | 1 |
| (12) | UR.1121 | Pin, centre lever | 1 |
| (13) | UR.1111 | Retainer, seal | 2 |
| (14) | UR.1112 | Ring, sealing | 2 |
| (15) | UR.1116 | Washer, oil transfer | 1 |
| (16) | UR.1134 | Bearing, taper roller | 2 |
| (17) | UR.1833 | CENTRE STEERING LEVER ASSY., (R. C.) | 1 |
| | UR.1033 | CENTRE STEERING LEVER ASSY., (L. C.) | 1 |
| (18) | UR.1113 | Distance piece, bearings | 1 |
| (19) | UR.1114 | Washer, adjusting bearings | 1 |
| (20) | UR.3206 | Washer, adjusting lever, .100" | As
Reqd. |
| | UR.3207 | Washer, adjusting lever, .125" | |
| | UR.3208 | Washer, adjusting lever, .150" | |
| | UR.3209 | Washer, adjusting lever, .175" | |
| | UR.1115 | Washer, adjusting lever, .187" | |
| | UR.1441 | Washer, adjusting lever, .250" | |
| (21) | UA.1254/Z | Washer, pin | 1 |
| (22) | UA.304/Z | Nut, pin | 1 |
| (23) | UR.1300 | Jaw, power cylinder | 1 |
| (24) | UA.355/Z | Nut, jaw | 1 |
| (25) | UR.3250 | Washer, retaining seal | 2 |
| (26) | KB.5409 | Ring, Sealing | 2 |
| (27) | UR.3292 | Washer, retaining | 2 |
| (28) | UR.3249 | Washer, spacing | 2 |
| (29) | UR.3248 | Roller race | 1 |
| (30) | RF.6757 | Needle rollers | Alt. |
| | RF.7364 | Needle rollers | |
| (31) | UR.3293 | Rivet, tubular | 1 |
| (32) | UR.1298 | Pin, connecting | 1 |



CENTRE STEERING LEVER AND IDLER LEVER
POWER ASSISTED STEERING WITH
GREASE LUBRICATION OF BALL JOINTS

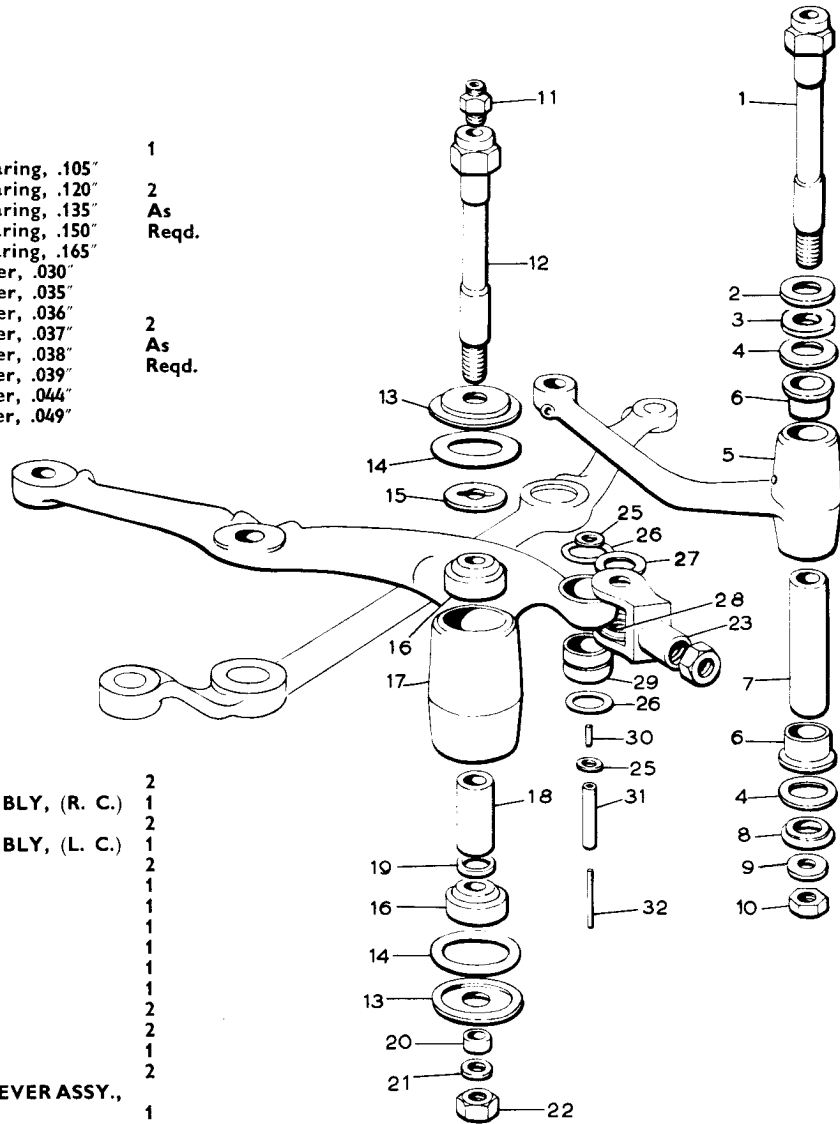


SPARES schedule

SILVER CLOUD AND BENTLEY 'S' TYPE



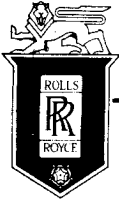
- | | | | |
|-----|---------|----------------------------------|-------|
| (1) | UR.1121 | Pin, idler lever | 1 |
| (2) | UR.1309 | Washer, adjusting bearing, .105" | 2 |
| | UR.1310 | Washer, adjusting bearing, .120" | As |
| | UR.1311 | Washer, adjusting bearing, .135" | Reqd. |
| | UR.1312 | Washer, adjusting bearing, .150" | |
| | UR.1313 | Washer, adjusting bearing, .165" | |
| (3) | UR.2354 | Washer, adjusting lever, .030" | 2 |
| | UR.2355 | Washer, adjusting lever, .035" | As |
| | UR.2356 | Washer, adjusting lever, .036" | Reqd. |
| | UR.2357 | Washer, adjusting lever, .037" | |
| | UR.2358 | Washer, adjusting lever, .038" | |
| | UR.2359 | Washer, adjusting lever, .039" | |
| | UR.2360 | Washer, adjusting lever, .044" | |
| | UR.2361 | Washer, adjusting lever, .049" | |



- | | | | |
|------|-----------|--------------------------------------|--------|
| (4) | FB.3940 | Seal | 2 |
| (5) | UR.4131 | IDLER LEVER ASSEMBLY, (R. C.) | 1 |
| (6) | UR.1041 | Bush, lever | 2 |
| | UR.4132 | IDLER LEVER ASSEMBLY, (L. C.) | 1 |
| | UR.1041 | Bush, lever | 2 |
| (7) | UR.1118 | Distance tube | 1 |
| (8) | UR.1119 | Washer, oil seal | 1 |
| (9) | UA.1254/Z | Washer, pin | 1 |
| (10) | UA.304/Z | Nut, pin | 1 |
| (11) | UR.2264 | Meter valve, straight | 1 |
| (12) | UR.1121 | Pin, centre lever | 1 |
| (13) | UR.1111 | Retainer, seal | 2 |
| (14) | UR.1112 | Ring, sealing | 2 |
| (15) | UR.1116 | Washer, oil transfer | 1 |
| (16) | UR.1134 | Bearing, taper roller | 2 |
| (17) | UR.4472 | CENTRE STEERING LEVER ASSY., (R. C.) | 1 |
| | UR.4473 | CENTRE STEERING LEVER ASSY., (L. C.) | 1 |
| (18) | UR.1113 | Distance piece, bearings | 1 |
| (19) | UR.1114 | Washer, adjusting bearings | 1 |
| (20) | UR.3206 | Washer, adjusting lever, .100" | As |
| | UR.3207 | Washer, adjusting lever, .125" | Reqd. |
| | UR.3208 | Washer, adjusting lever, .150" | |
| | UR.3209 | Washer, adjusting lever, .175" | |
| | UR.1115 | Washer, adjusting lever, .187" | |
| | UR.1441 | Washer, adjusting lever, .250" | |
| (21) | UA.1254/Z | Washer, pin | 1 |
| (22) | UA.304/Z | Nut, pin | 1 |
| (23) | UR.1300 | Jaw, power cylinder | 1 |
| (24) | UA.355/Z | Nut, jaw | 1 |
| (25) | UR.3250 | Washer, retaining seal | 2 |
| (26) | KB.5409 | Ring, sealing | 2 |
| (27) | UR.3292 | Washer, retaining | 2 |
| (28) | UR.3249 | Washer, spacing | 2 |
| (29) | UR.3248 | Roller race | 1 |
| (30) | RF.6757 | Needle rollers | } Alt. |
| | RF.7364 | Needle rollers | |
| (31) | UR.3293 | Rivet, tubular | 1 |
| (32) | UR.1298 | Pin, connecting | 1 |

CENTRE STEERING LEVER AND IDLER LEVER

POWER ASSISTED STEERING WITH GREASE LUBRICATION OF BALL JOINTS

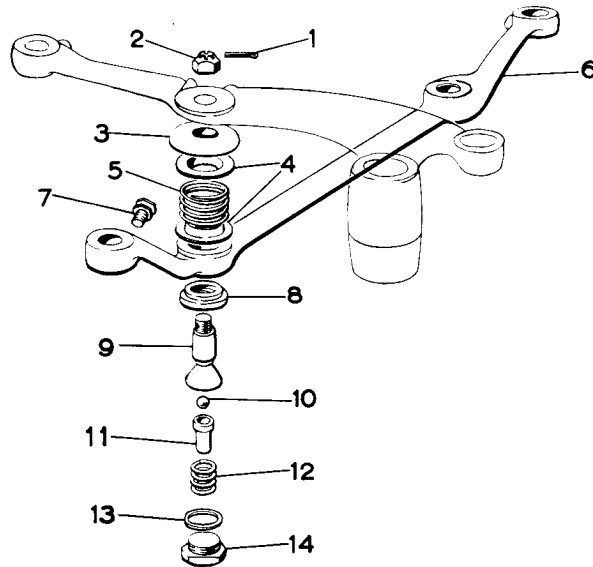


SPARES schedule

SILVER CLOUD AND BENTLEY 'S' TYPE

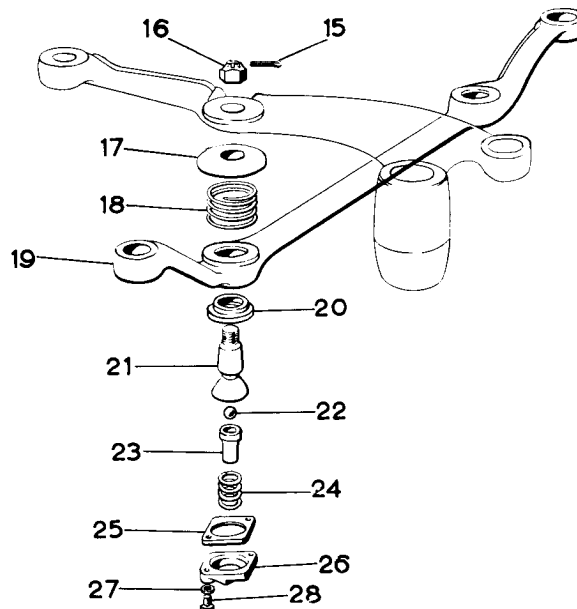


(1)	K.4603/Z	Split pin, nut	2
(2)	UR.2710	Nut, ball pin	2
(3)	UR.3427	Seal, grease	2
(4)	UR.4068	Washer, protection, seals	4
(5)	UR.3420	Spring, seal	2
(6)	UR.4471	Cross beam	1
(7)	RE.7881	Nipple, grease	2
(8)	RF.7556	Seat, spring	2
(9)	UR.4082	Ball pin, std.	2
(10)	RF.8789	Ball	2
(11)	UR.4468	Seat, ball pin	2
(12)	RF.7552	Spring, ball pin seat	2
(13)	KB.1095	Washer, plug	2
(14)	UR.4064	Plug, ball joint	2

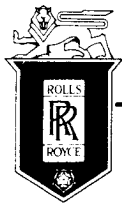


CROSS BEAM
Grease Lubrication of Ball Joints

(15)	K.4603/Z	Split pin, nut	2
(16)	UR.2710	Nut, ball pin	2
(17)	RF.7553	Seal, oil	2
(18)	UR.1930	Spring, oil seal	2
(19)	UR.4537	Cross beam	1
(20)	RF.7556	Seat	2
(21)	UR.3393	Ball pin, std.	2
(22)	RF.8789	Ball	2
(23)	RF.7551	Seat, ball pin	2
(24)	RF.7552	Spring, ball pin seat	2
(25)	UR.2909	Joint, cover	2
(26)	RF.7547	Cover, ball joint	2
(27)	K.4404/Z	Washer, screw	4
(28)	KC.171/Z	Screw, cover	4



CROSS BEAM
Oil Lubrication of Ball Joints

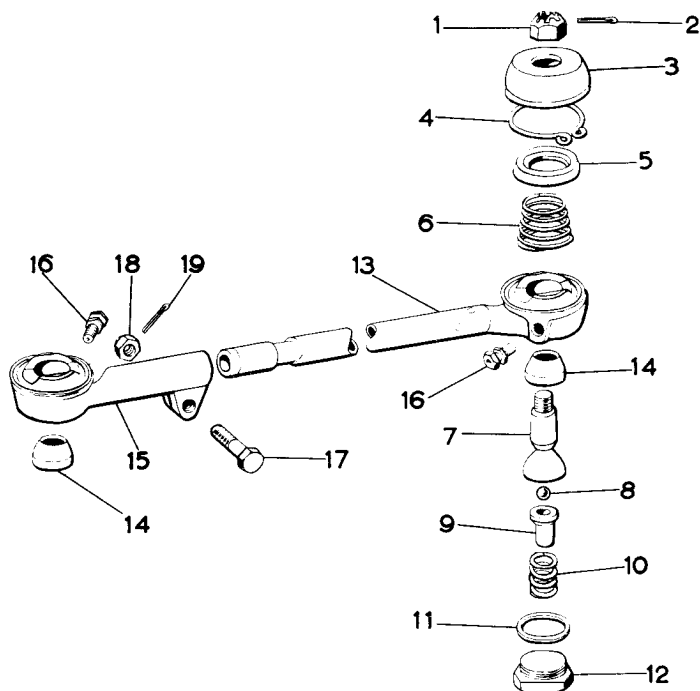


SPARES schedule

SILVER CLOUD AND BENTLEY 'S' TYPE

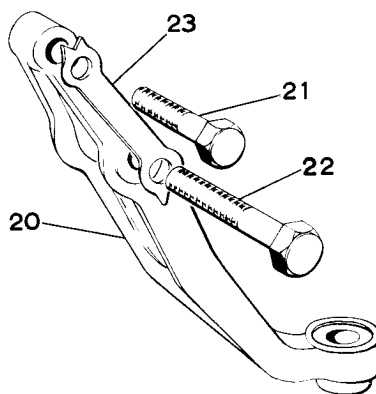


(1)	UR.2710	Nut, castellated	2	
(2)	K.4603 Z	Split pin	2	
(3)	UR.4505	Seal, grease, standard	4	} Alt.
	UR.4506	Seal, grease, .100" extended neck	4	
	UR.4507	Seal, grease, .200" extended neck	4	
	UR.4452	Clip, seal	4	
(4)	UR.4452	Clip, seal	4	
(5)	UR.4443	Seat, seal	4	
(6)	UR.4442	Spring, seal	4	
(7)	UR.4082	Ball pin, standard	4	} Alt.
	UR.4083	Ball pin, .100" extended neck	4	
	UR.4084	Ball pin, .200" extended neck	4	
(8)	RF.8789	Ball	4	
(9)	RF.7556	Seat, spring	4	
(10)	RF.7552	Spring, ball pin seat	4	
(11)	KB.1095	Washer, plug	4	
(12)	UR.4064	Plug, ball joint	4	
(13)	UR.4454	CROSS STEERING TUBE ASSY. (R.H.)	1	
(14)	UR.4437	Seat	1	
	UR.4453	CROSS STEERING TUBE ASSY. (L.H.)	1	
	UR.4437	Seat	1	
(15)	UR.4450	SOCKET, OUTER END (R.H.)	1	
	UR.4437	Seat	1	
	UR.4451	SOCKET, OUTER END (L.H.)	1	
	UR.4437	Seat	1	
(16)	RE.7881	Grease nipple	4	
(17)	UR.3931	Bolt, socket, clamp	2	
(18)	U.A.1102/Z	Nut, bolt	2	
(19)	K.4603/Z	Split pin, bolt	2	

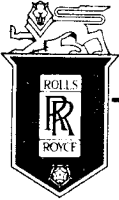


CROSS STEERING TUBE ASSEMBLY.

(20)	UR.274	Lever R.H.	1
	UR.275	Lever L.H.	1
(21)	U.A.209/Z	Bolt .375	2
	U.A.260/Z	Bolt .4375	2
(23)	UR.348	Lockwasher	2



LEVER, STUB AXLE

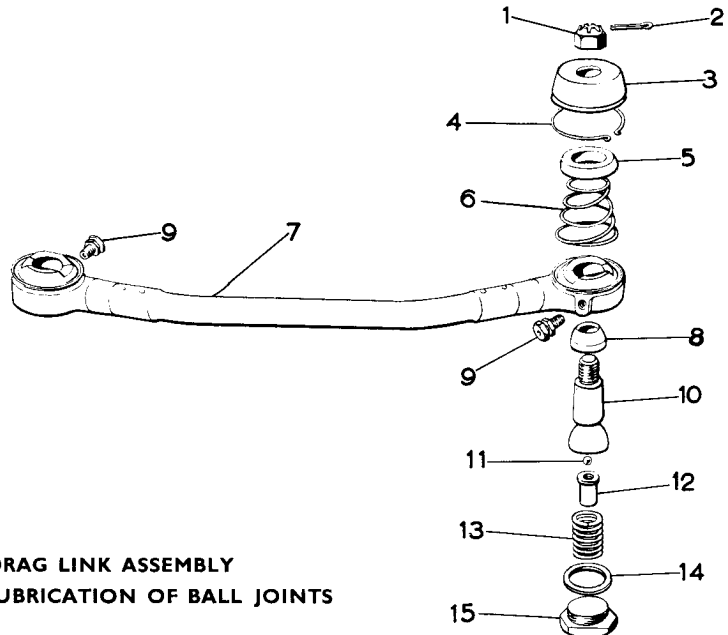


SPARES schedule

SILVER CLOUD AND BENTLEY 'S' TYPE

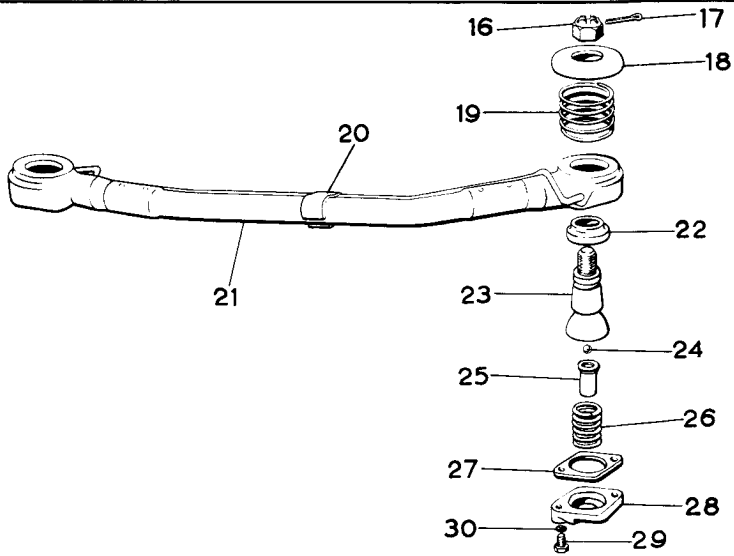


(1)	UR.2710	Nut, castellated	2
(2)	K.4603/Z	Split pin, nut	2
(3)	UR.4505	Seal, grease	2
(4)	UR.4452	Clip, seal	2
(5)	UR.4443	Seat, seal	2
(6)	UR.4442	Spring, seal	2
(7)	UR.4533	DRAG LINK ASSEMBLY	1
(8)	UR.4437	Seat	2
(9)	RE.7881	Grease nipple	2
(10)	UR.4082	Ball pin	2
(11)	RF.8789	Ball	2
(12)	RF.7556	Seat, ball and spring	2
(13)	RF.7552	Spring ball pin	2
(14)	KB.1095	Washer, plug	2
(15)	UR.4064	Plug, ball joint	2

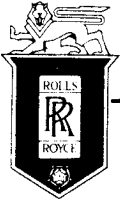


**DRAG LINK ASSEMBLY
GREASE LUBRICATION OF BALL JOINTS**

(16)	UR.2710	Nut, castellated	2
(17)	K.4603/Z	Split pin, nut	2
(18)	RF.7553	Seal, oil	2
(19)	UR.1930	Spring, seal	2
(20)	UR.3140	Clip, oil pipe	1
(21)	UR.3938	DRAG LINK ASSEMBLY	1
(22)	RF.7551	Seat	2
(23)	UR.3393	Ball pin	2
(24)	RF.8789	Ball	2
(25)	RF.7556	Seat, ball and spring	2
(26)	RF.7552	Spring ball pin	2
(27)	UR.2909	Joint, cover	2
(28)	RF.7547	Cover, ball joint	2
(29)	KC.171/Z	Screw, cover	4
(30)	K.4404/Z	Washer, screw	4



**DRAG LINK ASSEMBLY
OIL LUBRICATION OF BALL JOINTS**

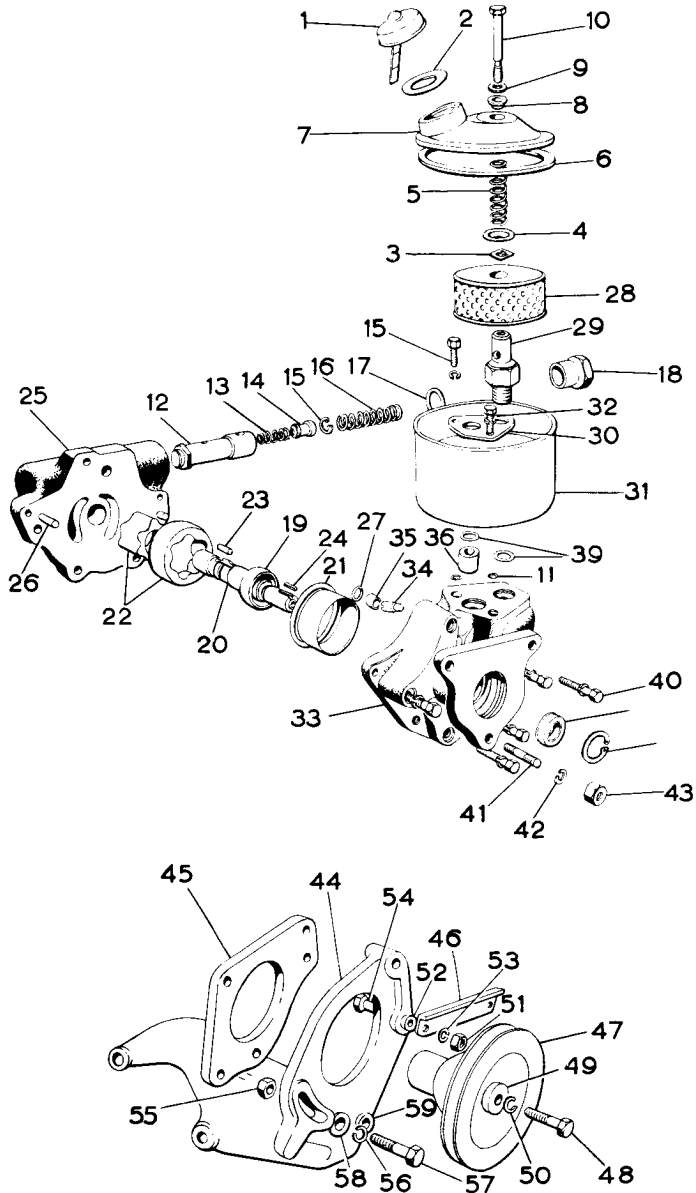


SPARES schedule

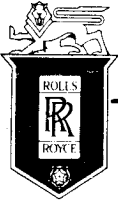
SILVER CLOUD AND BENTLEY 'S' TYPE



	UF.2384	STEERING PUMP ASSEMBLY	1
	CD.632	COVER, ASSEMBLY, RESERVOIR	1
(1)	CD.623 S A	Cap and dipstick	1
(2)	CD.972	Washer, rubber	1
(3)	CD.631	Speed nut	1
(4)	CD.630	Cap, spring	1
(5)	CD.629	Spring	1
(6)	CD.628	Gasket, rubber cap to reservoir	1
(7)	CD.627	Cover	1
(8)	CD.626	Gasket, cover stud	1
(9)	CD.625	Washer, felt	1
(10)	CD.624	Stud, cover retaining	1
(11)	CD.641	Gasket, rubber, stud, reservoir to body	2
	CD.665	Flow control valve	1
(12)	CD.643	Valve	1
(13)	UE.4172	Spring, relief valve	1
(14)	CD.664	Relief valve	1
(15)	CD.645	Retaining ring	1
(16)	CD.646	Spring, valve	1
(17)	CD.662	'O' Ring	1
(18)	UE.2396	Adaptor, pump outlet	1
	CD.656	SHAFT ASSEMBLY	1
(19)	CD.660	Ball race	1
(20)	CD.655	Shaft	1
(21)	CD.648	'O' Ring	1
(22)	CD.654	Rotors (pair)	1
(23)	CD.647	Key	1
(24)	UE.717	Key, driving steering pump	1
(25)	CD.653	Cover assembly	1
(26)	CD.652	Dowel	2
(27)	CD.649	'O' Ring, throw director	1
(28)	CD.633	Filter element	1
(29)	CD.634	Stud reservoir	1
(30)	CD.637	Reinforcement plate	1
(31)	CD.638	Reservoir	1
(32)	CD.636	Screw reservoir to body	1
(33)	CD.657	Body Assembly	1
(34)	CD.651	Director, full flow	1
(35)	CD.650	Retainer, 'O' ring	1
(36)	CD.640	Retainer, gasket	1
(37)	CD.659	Oil seal	1
(38)	CD.661	Retaining ring	1
(39)	CD.639	Gasket, rubber	2
	CD.691	Gasket, rubber	2
(40)	CD.658	Bolt securing bracket	3
(41)	UE.2352	Stud, adaptor plate	3
(42)	K.9010 Z	Washer, stud	3
(43)	RE.22430	Nut, stud	3
(44)	UE.2357	Bracket, mounting, steering pump	1
(45)	UE.2356	Adaptor plate	1
(46)	UE.2391	Stiffener	1
(47)	UE.5102	Pulley	1
(48)	UE.683	Bolt, pulley	1
(49)	UE.684	Washer, bolt	1
(50)	K.9009 Z	Washer, spring	1
(51)	UA.301 Z	Nut, mounting bracket	1
(52)	UE.2392	Washer, packing	1
(53)	K.9008 Z	Washer, spring, stiffener	1
(54)	UA.107 Z	Bolt, mounting bracket	1
(55)	UA.352 Z	Nut, bracket	2
(56)	K.9009 Z	Washer, bracket	2
(57)	UA.207 Z	Bolt, bracket to adaptor plate	2
(58)	UA.1253 Z	Washer	2
(59)	K.9010 Z	Washer	2



STEERING PUMP AND MOUNTING

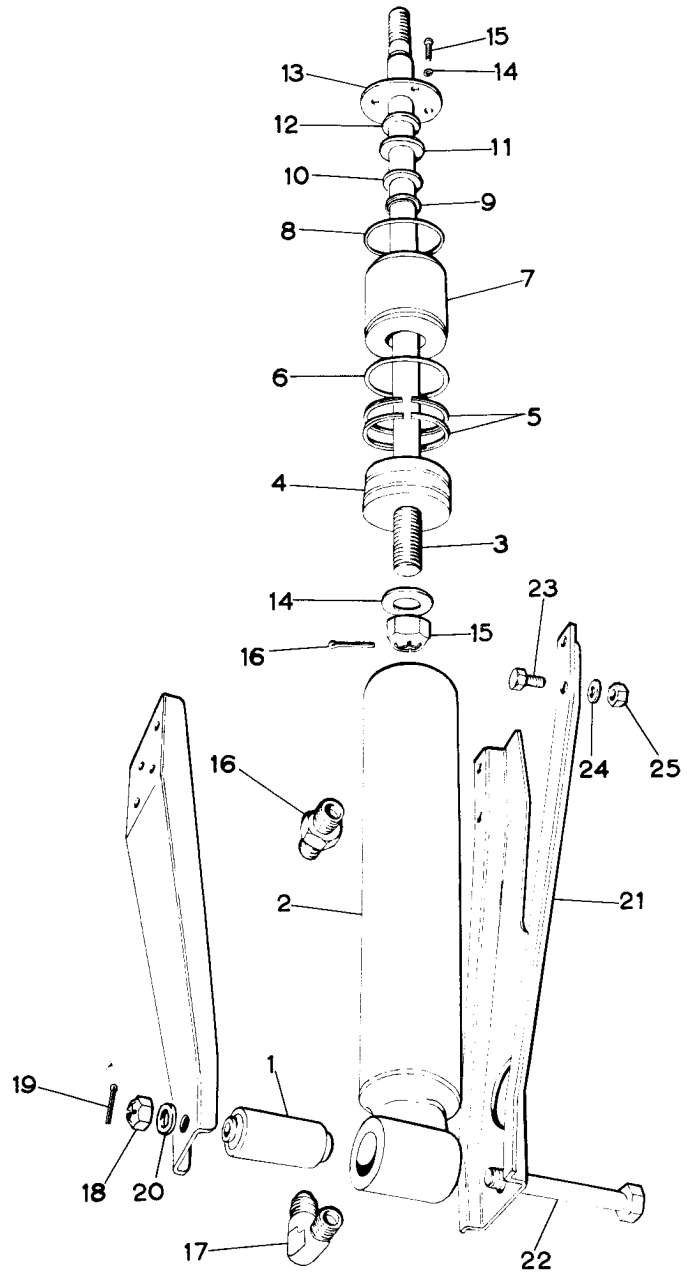


SPARES schedule

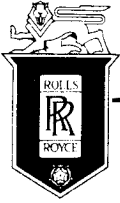
SILVER CLOUD AND BENTLEY 'S' TYPE



	UR.3252	POWER CYLINDER ASSEMBLY	1
	UR.1920	Power cylinder sub-assembly	1
(1)	RG.3076	Bush, silentbloc	1
(2)	CD.696	Cylinder	1
(3)	CD.693	Piston rod	1
(4)	CD.695	Piston	1
(5)	CD.697	Piston ring	2
(6)	CD.702	'O' Ring	1
(7)	CD.694	Bearing	1
(8)	CD.698	Retaining ring	1
(9)	CD.666	Seal, bearing	1
(10)	CD.670	Washer, seal	1
(11)	CD.667	Back-up washer	1
(12)	CD.671	Scraper	1
(13)	CD.699	End cover	1
(14)	CD.700	Lockwasher	4
(15)	CD.701	Screw, cover	4
(16)	UR.2546	Adaptor	1
(17)	UR.2547	Elbow 90	1
(18)	UA.455 Z	Nut, retaining bolt	1
(19)	K.4608 Z	Split pin, nut	1
(20)	UA.1255 Z	Washer, bolt	1
(21)	UR.1938	Bracket, lower	1
(22)	UR.3372	Bolt, retaining	1
(23)	UR.103	Bolt, lower bracket	8
(24)	K.9008 Z	Washer, bolt	8
(25)	UA.301 Z	Nut, bolt	8



POWER CYLINDER ASSEMBLY

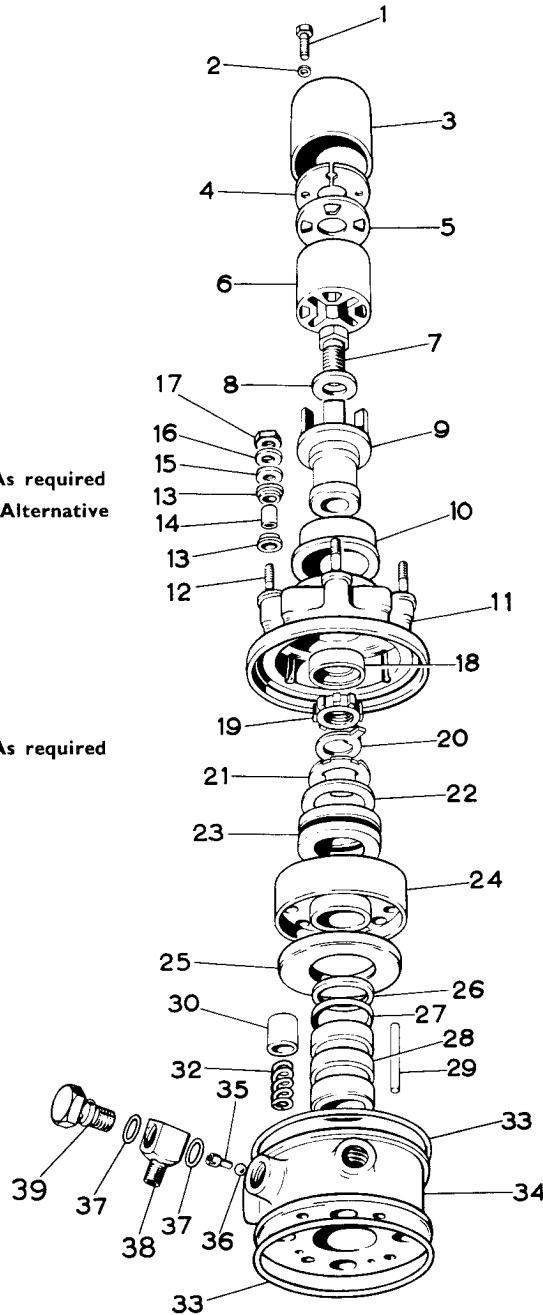


SPARES schedule

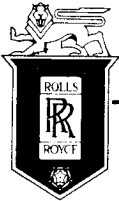
SILVER CLOUD AND BENTLEY 'S' TYPE



(1)	KC.178/Z	Screw, coupling	4
(2)	K.4404/Z	Washer, screw	4
(3)	UR.1708	Cover, coupling	1
(4)	UR.1696	Washer, split	1
(5)	UR.1709	Distance piece, coupling	1
(6)	UR.1677	Coupling	1
(7)	UA.204/Z	Bolt, coupling, dog	1
(8)	UR.1703	Washer, bolt	1
(9)	UR.1711	Dog, coupling	1
(10)	UR.1690	Sleeve, mounting	1
(11)	UR.1713	HOUSING, BEARING ASSEMBLY	1
(12)	KB.654/Z	Stud	4
(13)	UR.1698	Bush, mounting, stud	8
(14)	UR.1704	Distance piece, stud	4
(15)	UR.1692	Washer, stud	4
(16)	K.4404/Z	Washer, stud	4
(17)	K.4307/Z	Nut, stud	4
(18)	UR.3345	Seal, oil	1
(19)	UA.2745/Z	Nut, slotted	1
(20)	KB.7407/Z	Tab, washer, nut	1
(21)	UR.1693	Key washer	1
(22)	UR.315-28	Washer, adjusting	1 } As required
(23)	UR.1695	Bearing, cam tube	1 } Alternative
	UR.3361	Bearing, cam tube	1 }
(24)	UR.1681	Housing, bearing and springs	1
(25)	UR.3542-47	Washer, thrust	1
	RH.253	SPOOL VALVE ASSEMBLY	1
(26)	UR.3515	Washer, adjusting .060"	} 2 As required
	UR.3516	Washer, adjusting .062"	
	UR.3517	Washer, adjusting .064"	
	UR.3518	Washer, adjusting .066"	
	UR.3519	Washer, adjusting .068"	
	UR.3520	Washer, adjusting .070"	
	UR.3521	Washer, adjusting .072"	
	UR.3522	Washer, adjusting .074"	
	UR.3523	Washer, adjusting .076"	
	UR.3524	Washer, adjusting .078"	
	UR.3525	Washer, adjusting .080"	
	UR.3526	Washer, adjusting .082"	
	UR.3527	Washer, adjusting .084"	
	UR.3528	Washer, adjusting .086"	
	UR.2369	Washer, adjusting .095"	
(27)	UR.1710	Special seating	2
(28)	UR.1673	Spool valve	1
(29)	UR.1691	Spacing pin	4
(30)	UR.1699	Upper plunger	4
(31)	UR.1700	Lower plunger	4
(32)	UR.2992	Spring, plunger	4
(33)	UR.1697	Sealing ring	2
(34)	UR.1688	Housing, spool valve	1
	UR.1707	Relief valve assembly, housing	1
(35)	UR.1706	Relief valve	1
(36)	UR.8789	Ball	1
(37)	UR.2513	'O' Ring, return valve	2
	UR.2514	'O' Ring, supply valve	2
	UR.2514	'O' Ring, valve to ram	4
(38)	UE.2506	Banjo, return valve	1
(39)	UE.2353	Bolt, banjo	1
	UE.2507	Banjo, supply valve	1
	UE.2354	Bolt, banjo	1
	UE.2507	Banjo, valve to ram	2
	UE.2354	Bolt, banjo	2



SPOOL VALVE ASSEMBLY (UPPER HALF)

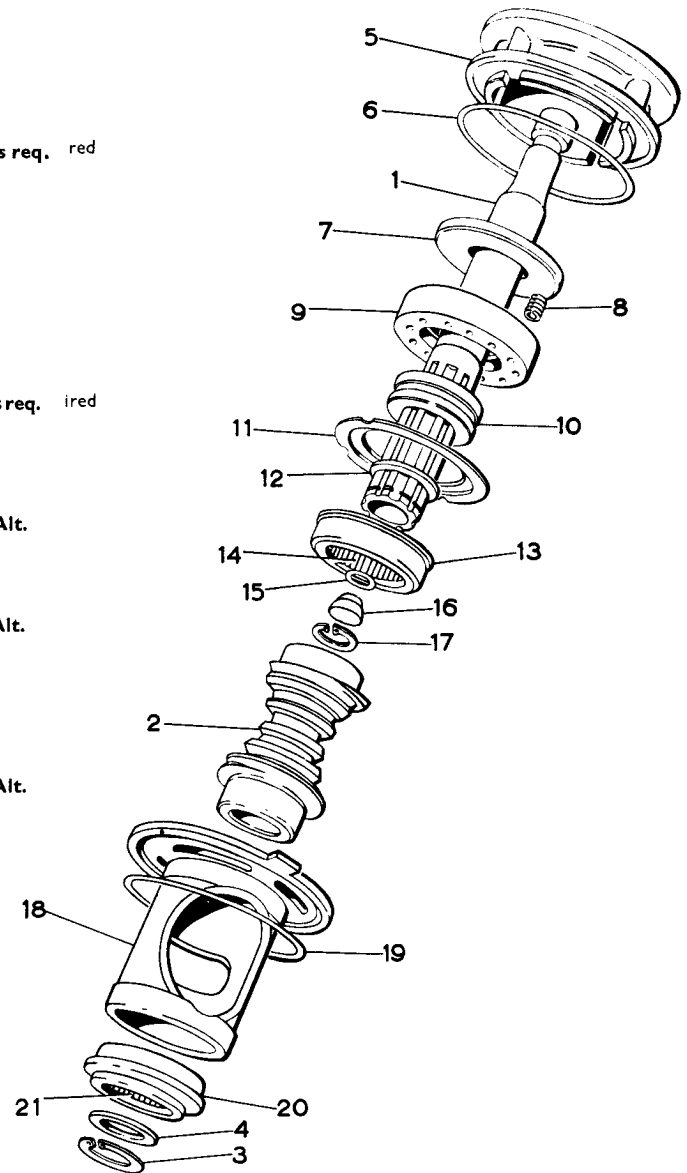


SPARES schedule

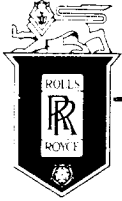
SILVER CLOUD AND BENTLEY 'S' TYPE



	UR.1966	STEERING CAM TUBE ASSY.	1
(1)	UR.1670	Tube	1
(2)	UR.1832	Cam	1
(3)	KB.14219 R	Circlip, outer	1
(4)	UR.3515	Washer, adjusting .060"	} 2 As req. red
	UR.3516	Washer, adjusting .062"	
	UR.3517	Washer, adjusting .064"	
	UR.3518	Washer, adjusting .066"	
	UR.3519	Washer, adjusting .068"	
	UR.3520	Washer, adjusting .070"	
	UR.3521	Washer, adjusting .072"	
	UR.3522	Washer, adjusting .074"	
	UR.3523	Washer, adjusting .076"	
	UR.3524	Washer, adjusting .078"	
	UR.3525	Washer, adjusting .080"	
	UR.3526	Washer, adjusting .082"	
	UR.3527	Washer, adjusting .084"	
	UR.3528	Washer, adjusting .086"	
	UR.3269	Washer, adjusting .095"	
(5)	UR.1677	Distance piece, housing	1
(6)	UR.1697	Sealing ring	1
(7)	UR.3542	Thrust washer, .200"	} 1 As req. i red
	UR.3543	Thrust washer, .202"	
	UR.3544	Thrust washer, .204"	
	UR.3545	Thrust washer, .206"	
	UR.3546	Thrust washer, .208"	
	UR.3547	Thrust washer, .210"	
(8)	UR.1686	Spring secondary	24
(9)	UR.1681	Housing, bearing and springs	1
(10)	UR.1965	Bearing (Fischer)	1
	UR.3361	Bearing (Hoffman)	1
	UR.1688	Disc, retaining	1
	UR.3515-28	Washer, adjusting	1
(12)	UR.1683	Outer roller race, upper	1
(13)	UR.1683	Outer roller race, upper	1
(14)	RF.6757	Needle rollers	58
	RF.7634	Needle rollers	58
	KB.6204	Ring, sealing	1
(15)	KB.6204	Ring, sealing	1
(16)	UR.1675	Plug, cam tube	1
(17)	KB.14023/2	Circlip, inner	1
(18)	UR.3432	Sleeve, adjusting	1
(19)	UR.1697	Sealing ring	1
(20)	UR.3433	Outer roller race, lower	1
(21)	RF.6757	Needle rollers	58
	RF.7634	Needle rollers	58

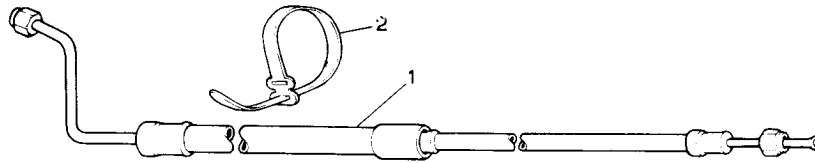


SPool VALVE ASSEMBLY
(LOWER HALF)

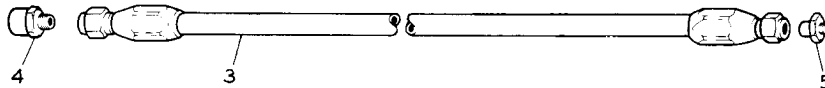


SPARES schedule

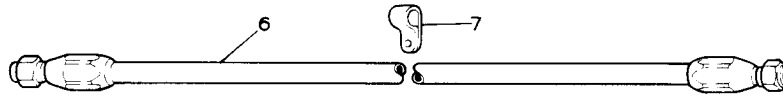
SILVER CLOUD AND BENTLEY 'S' TYPE



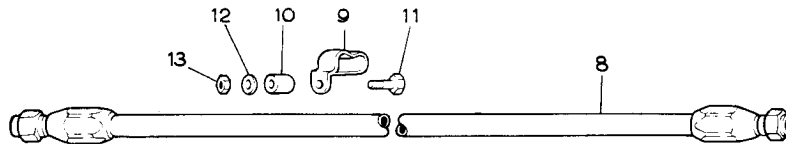
- (1) UR.3649 HOSE ASSEMBLY, SUPPLY VALVE 1
- (2) UR.1803 Clip, hose 3



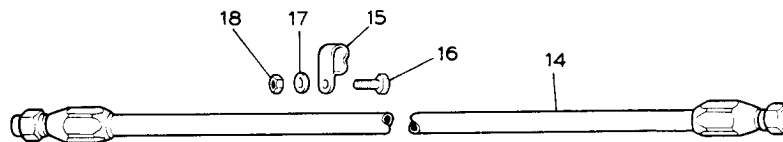
- (3) UR.3303 HOSE EXTENSION, ASSEMBLY, SUPPLY VALVE 1
 - (4) UR.3186 Adaptor, hose 1
 - (5) UR.3188 Connector, hose 1
- } R. C. only



- (6) UR.2787 HOSE ASSEMBLY, RETURN VALVE 1
- (7) UR.2833 Clip, hose 1



- (8) UR.1872 HOSE ASSEMBLY, VALVE TO RAM, FRONT 1
- (9) UR.4516 Clip, hose 1
- (10) UR.1362 Distance piece, clip to valance 1
- (11) UA.102 Z Bolt, clip 1
- (12) UA.1251/Z Washer, bolt 1
- (13) UA.351 Z Nut, bolt 1



- (14) UR.1873 HOSE ASSEMBLY, VALVE TO RAM, REAR 1
- (15) UR.3430 Clip, hoses 1
- (16) UA.107 Z Bolt, clip 1
- (17) K.4407 Z Washer, bolt 1
- (18) UA.301/Z Nut, bolt 1

HOSES