

**SECTION P**

**BODY**

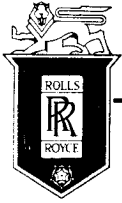
Title	Assembly	Page No.
BODY MOUNTING BRACKETS	No. 1	P. 1
	Nos. 2, 3, 4 & 5	P. 2
	Nos. 6, centre & rear	P. 3
FRONT DOORS	EARLY CARS	P. 4
	LATER CARS	P. 5
	L.W.B. CARS	P. 6
FRONT DOORS (TRIM AND FITTINGS)	EARLY CARS	P. 7 & P. 8
	LATER CARS	P. 9 & P. 10
REAR DOORS	EARLY CARS	P. 11
	LATER CARS	P. 12
	L.W.B. CARS	P. 13
REAR DOORS (TRIM AND FITTINGS)	EARLY CARS	P. 14
	LATER CARS	P. 15
	L.W.B. EARLY CARS	P. 16
	L.W.B. LATER CARS	P. 17
FRONT AND REAR DOORS (ELECTRIC WINDOW LIFTS)		P. 18
TRUNK DOOR	EARLY CARS	P. 19
	LATER CARS	P. 20
BODY SHELL	FULL ASSEMBLY	P. 21
	REAR SECTION	P. 22 & P. 23
	FRONT SECTION, EARLY CARS	P. 24 & P. 25
	FRONT SECTION, LATER CARS	P. 26 & P. 27
	ROOF & CENTRE SECTION, EARLY CARS	P. 28
	LATER CARS	P. 29
	L.W.B. CARS	P. 30
SPECIAL PARTS, 'CONTINENTAL', and COACHBUILT CARS		P. 31

(Continued Overleaf)

**SECTION P (Continued)**

**BODY**

<b>Title</b>	<b>Assembly</b>	<b>Page No.</b>
WINGS, FRONT		P. 32
VALANCE PLATES	WITH BONNET FASTENER	P. 33
BONNET		P. 34
BODY TRIM AND FITTINGS	BOOT	P. 35, 36, 37
	PARCEL SHELF & BACKLIGHT	P. 38
	REAR QUARTERS	P. 39
	ROOF	P. 40
	CENTRE SECTION	P. 41
	FACIA BOARD & ACCESSORIES	P. 42 & P. 43
	DASH & 'A' POST	P. 44
	SEALS & DRAUGHT EXCLUDERS	P. 45
	SPECIAL FITTINGS WITH INTERIOR COOLING	P. 46
REAR SEAT		P. 47
FRONT SEAT	BENCH TYPE	P. 48 & P. 49
	INDIVIDUAL	P. 50 & P. 51
SAFETY BELTS		P. 52



# SPARES schedule

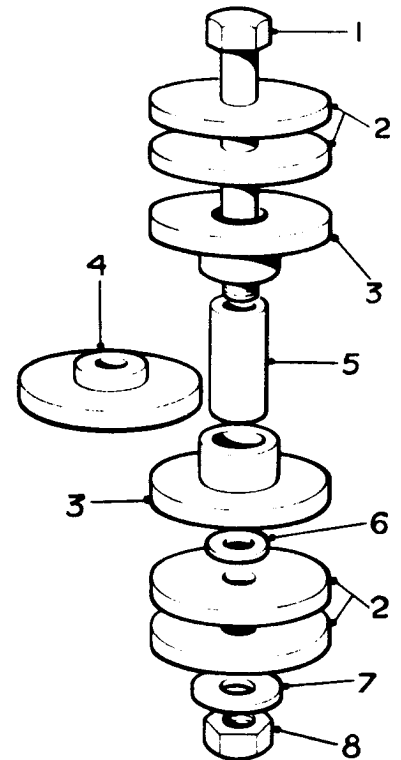
SILVER CLOUD AND BENTLEY 'S' TYPE



## BODY MOUNTING BRACKET No. 1.

Ref.	Part No.	Description	No off
(1)	UA.219/Z	Bolt, .375 in. x 2.625 in.	2
	UA.220/Z	Bolt, .375 in. x 2.750 in.	2
	UA.221/Z	Bolt, .375 in. x 2.875 in.	2
		(Alt.)	
(2)	UR.1924	Washer, mounting, large	8
(3)	UR.2338	Flange, rubber	4
		(Not Continental or Drophead)	
(4)	UR.2652	Flange, spacing	4
		(Continental or Drophead only)	
(5)	UR.2872	Tube, distance	2
		(Not Continental or Drophead)	
(6)	UR.2864	Washer, shim, .048 in.	As reqd.
	UR.2865	Washer, shim, .056 in.	
	UR.2866	Washer, shim, .064 in.	
	UR.2867	Washer, shim, .072 in.	
	UR.2868	Washer, shim, .080 in.	
	UR.2869	Washer, shim, .092 in.	
	UR.2870	Washer, shim, .104 in.	
(7)	UR.1926	Washer, mounting, small	2
		(Not Continental)	
(8)	RE.22428	Nut, bolt	2

Silver Cloud SDD.2-66  
Bentley "S" EG.2-88

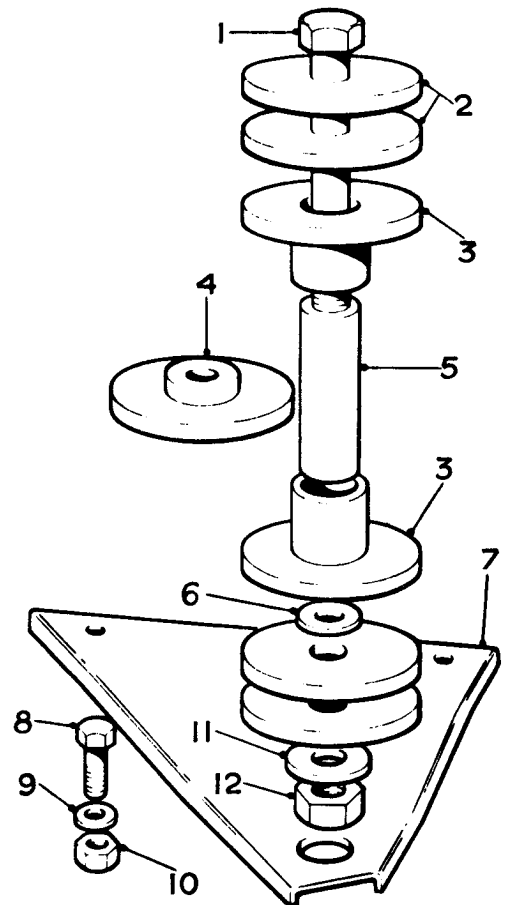


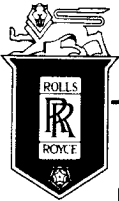
## BODY MOUNTING BRACKET No. 1.

Ref.	Part No.	Description	No off
(1)	UA.223/Z	Bolt, .375 in. x 3.250 in.	2
	UA.224/Z	Bolt, .375 in. x 3.500 in.	2
		(Alt.)	
(2)	UR.1924	Washer, mounting, large	8
(3)	UR.3376	Flange, rubber	4
		(Not Continental or Drophead)	
(4)	UR.2652	Flange, spacing	4
		(Continental or Drophead only)	
(5)	UR.3377	Tube, distance	2
		(Not Continental or Drophead)	
(6)	UR.2864	Washer, shim, .048 in.	As reqd.
	UR.2865	Washer, shim, .056 in.	
	UR.2866	Washer, shim, .064 in.	
	UR.2867	Washer, shim, .072 in.	
	UR.2868	Washer, shim, .080 in.	
	UR.2869	Washer, shim, .092 in.	
	UR.2870	Washer, shim, .104 in.	
(7)	UR.3378	Bracket, steady, L.H. mount	1
	UR.3379	Bracket, steady, R.H. mount	1
(8)	UA.103/Z	Bolt, bracket to sill	4
(9)	UA.6102/Z	Washer, bolt	8
(10)	UA.301/Z	Nut, bolt	4
		(Not Continental)	
(11)	UA.6104/Z	Washer, mounting, small	2
(12)	RE.22428	Nut, bolt	2

Silver Cloud SDD.68 onwards  
Silver Cloud L.W.B. ALC.1 onwards  
Bentley "S" EG.90 onwards  
Bentley "S" L.W.B. ALB.1 onwards  
Continental DJ.1 onwards

## BODY MOUNTING BRACKETS





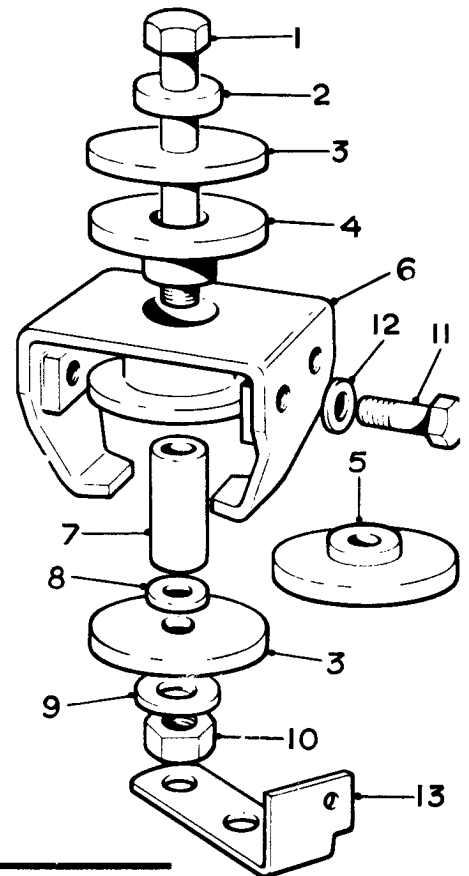
# SPARES schedule

SILVER CLOUD AND BENTLEY 'S' TYPE



## BODY MOUNTING BRACKET Nos. 2 & 4. (4 reqd.)

Ref.	Part No.	Description	No off
(1)	UA.219/Z	Bolt, .375 in. x 2.625 in.	4
	UA.220/Z	Bolt, .375 in. x 2.750 in.	4
	UA.221/Z	Bolt, .375 in. x 2.875 in.	4
	UA.222/Z	Bolt, .375 in. x 3.00 in.	4
(2)	UR.2199	Washer, bolt	4
(3)	UR.1924	Washer, mounting, large	2—No. 2 bracket
	UR.1924	Washer, mounting, large	10—No. 4 bracket
(4)	UR.2338	Flange, rubber	8—Not Drophead
(5)	UR.2652	Flange, spacing	8—Drophead only
(6)	UR.1623	Bracket, Silentbloc	4
(7)	UR.2872	Tube, distance	4—Not Drophead
(8)	UR.2864	Washer, shim, .048 in.	As reqd.
	UR.2865	Washer, shim, .056 in.	
	UR.2866	Washer, shim, .064 in.	
	UR.2867	Washer, shim, .072 in.	
	UR.2868	Washer, shim, .080 in.	
	UR.2869	Washer, shim, .092 in.	
	UR.2870	Washer, shim, .104 in.	
	UR.1926	Washer, mounting, small	
(9)	UR.1926	Washer, mounting, small	As Reqd.
(10)	RE.22428	Nut, bolt	4
(11)	UA.152/Z	Bolt, bracket	16
	UA.151/Z	Bolt, bracket	16—Coachbuilt only
(12)	UR.2650	Washer, bolt, No. 2 bracket	8
	UR.2650	Washer, bolt, No. 4 bracket	6
(13)	UA.1252/Z	Washer, bolt, No. 2 bracket	8
	UA.1252/Z	Washer, bolt, No. 4 bracket	6
	UR.2084	Bracket, cable clip	1—No. 2 bracket

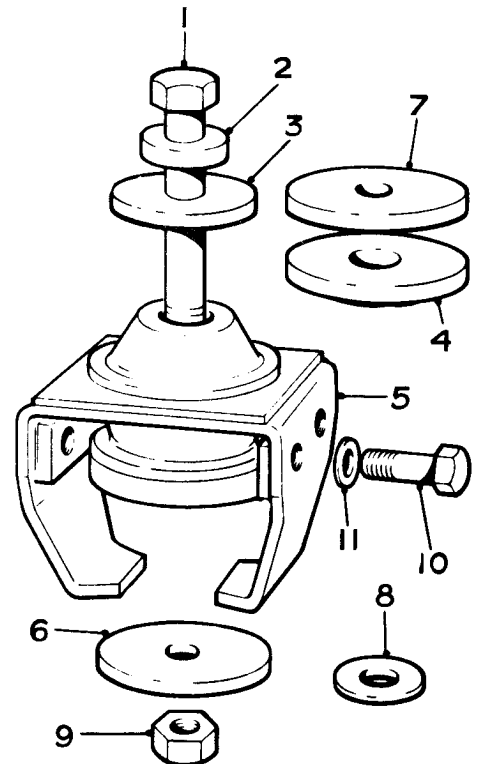


## BODY MOUNTING BRACKET NO. 4. (2 reqd.)

Continental Cars  
(As above for No. 2 Bracket)

## BODY MOUNTING BRACKETS Nos. 3 & 5. (4 reqd.)

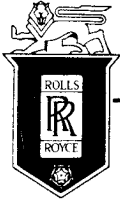
Ref.	Part No.	Description	No off
(1)	UA.220/Z	Bolt, .375 in. x 2.750 in.	4
	UA.221/Z	Bolt, .375 in. x 2.875 in.	4
	UA.222/Z	Bolt, .375 in. x 3.00 in.	4
(2)	UR.2199	Washer, bolt	2—No. 3 Bracket
	UR.2199	Washer, bolt	4—No. 5 Bracket
(3)	UR.1929	Washer, mounting	4
(4)	UR.2652	Flange, spacing	4—Drophead only
(5)	UR.1622	Silentbloc assembly	4—Not Drophead
	UR.1623	Bracket, Silentbloc	4—Drophead only
(6)	UR.929	Washer, rebound	4—Not Drophead
(7)	UR.1924	Washer, mounting	6
(8)	UR.1926	Washer, adjusting	6—Drophead only
(9)	RE.22428	Nut, bolt	4
(10)	UA.152/Z	Bolt, Silentbloc assembly	16
	UA.151/Z	Bolt, Silentbloc assembly	16—Coachbuilt cars
(11)	UR.2650	Washer, bolt	16
	UA.1252/Z	Washer, bolt	16—Coachbuilt cars



## BODY MOUNTING BRACKETS Nos. 3 & 5. (4 reqd.)

Continental cars  
(As for No. 2 Bracket)

## BODY MOUNTING BRACKETS



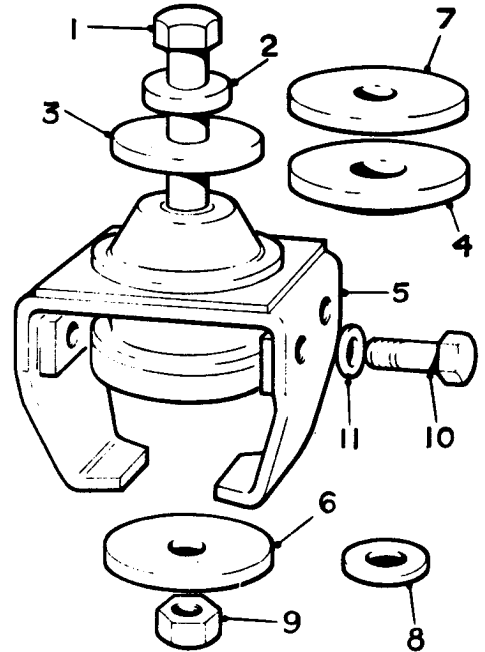
# SPARES schedule

SILVER CLOUD AND BENTLEY 'S' TYPE



## BODY MOUNTING BRACKET No. 6 (2 reqd.)

Ref.	Part No.	Description	No off
(1)	UA.222/Z	Bolt, .375 in. x 3.00 in.	2
	UA.223/Z	Bolt, .375 in. x 3.250 in.	2 } Alt.
	UA.224/Z	Bolt, .375 in. x 3.50 in.	2 }
(2)	UR.2199	Washer, bolt	2
(3)	UR.1929	Washer, mounting	6
(4)	UR.2652	Flange, spacing	4-Drophead only
(5)	UR.1622	Silentbloc assembly	2-Not Drophead
	UR.1623	Bracket, Silentbloc	2-Drophead only
(6)	UR.929	Washer, rebound	2-Not Drophead
(7)	UR.1924	Washer, mounting	10
(8)	UR.1926	Washer, adjusting	As reqd. Drophead only
(9)	RE.22428	Nut, bolt	2
(10)	UA.152/Z	Bolt, Silentbloc assembly	8
	UA.151/Z	Bolt, Silentbloc assembly	8-Coachbuilt cars
(11)	UR.2650	Washer, bolt	8
	UA.1252/Z	Washer, bolt	8-Coachbuilt cars



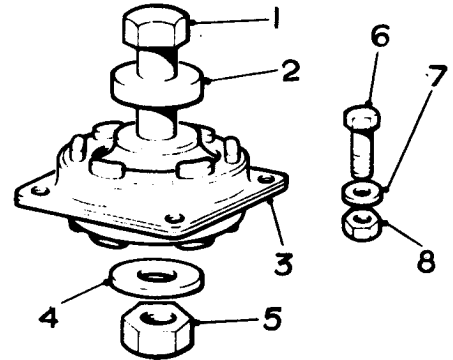
## BODY MOUNTING BRACKET No. 6 (2 reqd.)

Continental cars  
(As for No. 2 Bracket)

## BODY MOUNTING BRACKET, CENTRE. (2 reqd.)

All cars, except L.W.B. with division

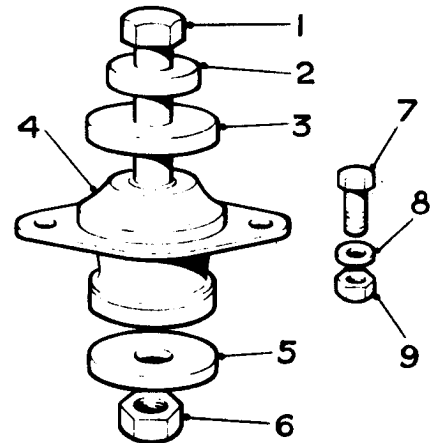
Ref.	Part No.	Description	No off
(1)	UA.212/Z	Bolt, .375 in. x 1.750 in.	2
	UA.213/Z	Bolt, .375 in. x 1.875 in.	2 } Alt.
	UA.214/Z	Bolt, .375 in. x 2.00 in.	2 }
(2)	UR.2199	Washer, bolt	6
(3)	UR.985	Silentbloc assembly	2
(4)	RB.5450	Washer, packing	2
(5)	RE.22428	Nut, bolt	2
(6)	KC.152/Z	Bolt, Silentbloc assembly	8
(7)	K.4404/Z	Washer, bolt	8
(8)	K.4307/Z	Nut, bolt	8



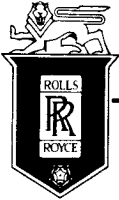
## BODY MOUNTING BRACKET, REAR. (1 reqd.)

All cars

Ref.	Part No.	Description	No off
(1)	UA.218/Z	Bolt, .375 in. x 2.50 in.	1
	UA.219/Z	Bolt, .375 in. x 2.625 in.	1 } Alt.
	UA.220/Z	Bolt, .375 in. x 2.750 in.	1 }
(2)	UR.2199	Washer, bolt	2
(3)	UR.1929	Washer, packing	As reqd.
(4)	UR.984	Silentbloc assembly	1
(5)	UR.983	Washer, rebound	1
(6)	RE.22428	Nut, bolt	1
(7)	UA.102/Z	Bolt, Silentbloc assembly	2
(8)	UA.1251/Z	Washer, bolt	2
(9)	UA.351/Z	Nut, bolt	2

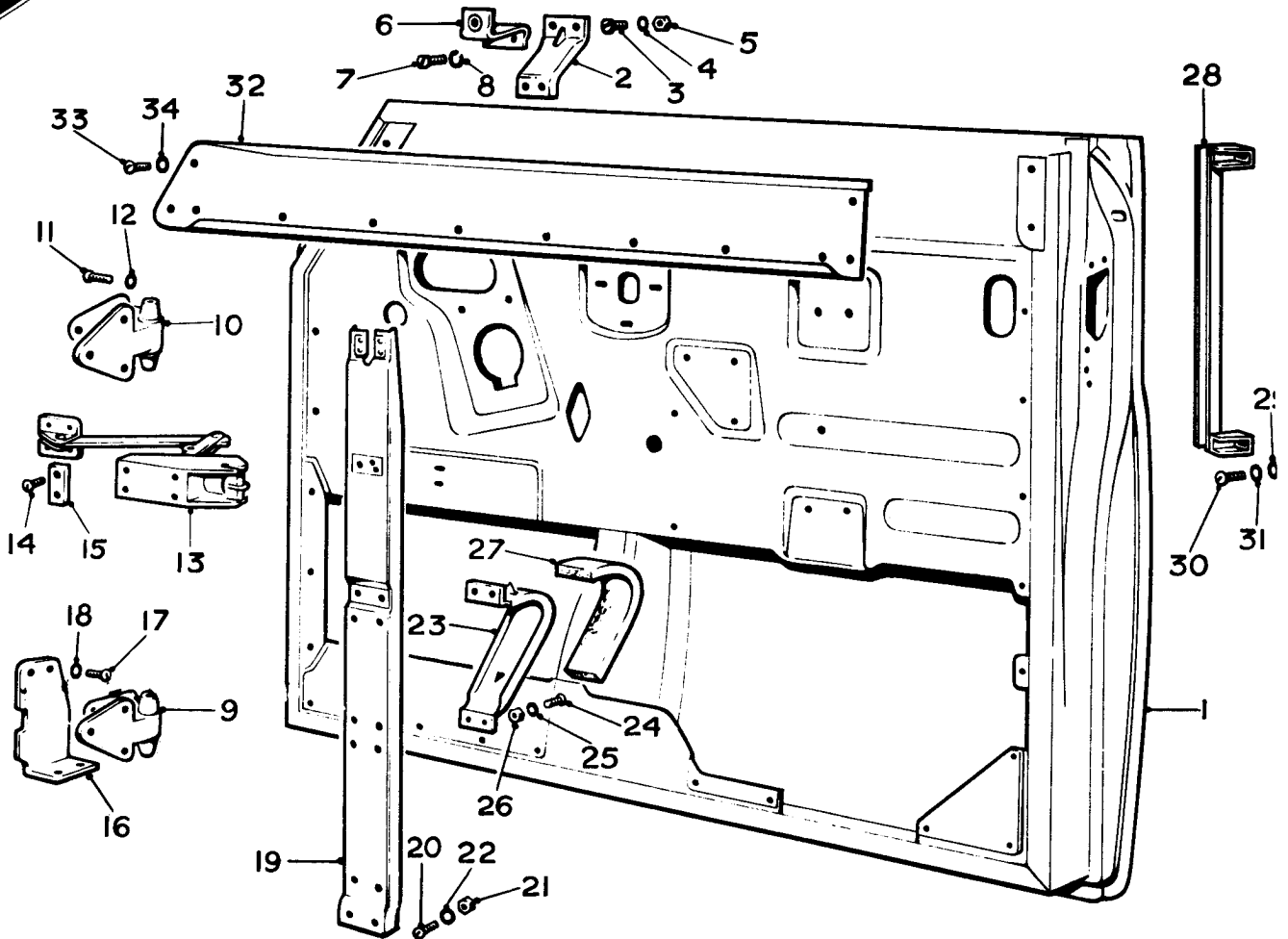


## BODY MOUNTING BRACKETS



# SPARES schedule

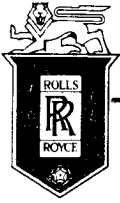
SILVER CLOUD AND BENTLEY 'S' TYPE



Ref.	Part No.	Description	no. off	Ref.	Part No.	Description	No off
	373/040	DOOR ASSY., COMPLETE, R.H.	1	(16)	173/280	Plate, cover, lower hinge, R.H.	1
(1)	473/110	DOOR, COMPLETE, LESS FIXTURES & FITTINGS	1		173/281	Plate, cover, lower hinge, L.H.	1
(2)	173/532	Bracket, stiffener, inner panel	1	(17)	CS.30562/Z	Screw, cover to door	4
(3)	CS.30200/Z	Screw, bracket to panel	2		CS.30542/Z	Screw, cover to door	4
(4)	CS.32056/Z	Washer, screw	4	(18)	K.4404/Z	Washer, screw	4
(5)	K.4006/Z	Nut, screw	2	(19)	373/278	Bracket, support, glass stop, R.H.	1
(6)	373/266	Bracket, assembly, finisher	1		373/279	Bracket, support, glass stop, L.H.	1
(7)	CS.30143/Z	Screw, bracket to door	2	(20)	CS.30121/Z	Screw, bracket to door	4
(8)	CS.32056/Z	Washer, Shake proof, screw	2	(21)	K.4006/Z	Nut, screw	4
(9)	273/106	Hinge, lower	1		KC.178/Z	Screw, bracket to door	8
(10)	273/107	Hinge, upper	1	(22)	K.4404/Z	Washer, screw	12
(11)	UA.4553/Z	Screw, hinge to door	6	(23)	173/204	Bracket, glass stop	2
(12)	CS.32058/Z	Washer, Shakeproof, screw	6	(24)	CS.30542/Z	Screw, bracket	8
(13)	473/143	Strap, check, and door opening assistor	1	(25)	K.4404/Z	Washer, screw	8
(14)	CS.30581/Z	Screw, check strap to door	4	(26)	K.4006/Z	Nut, screw	8
(15)	UB.2341	Washer, screw	2	(27)	262/141	Felt, glass stop	2
	373/041	DOOR ASSY., COMPLETE, L.H.	1			(Not required with electric window lifts)	
	473/111	As for R.H. except :— DOOR, COMPLETE, LESS FIXTURES AND FITTINGS	1	(28)	UB.2074	Channel, glass, front lower	2
	173/533	Bracket, stiffener inner panel	1	(29)	UB.2075	Washer, packing, channel	8
	373/267	Bracket, assembly finisher	1	(30)	CS.30542/Z	Screw, channel	4
				(31)	K.4404/Z	Washer, screw	4
				(32)	UB.2766	Panel, waist rail, R.H.	1
					UB.2765	Panel, waist rail, L.H.	1
				(33)	CS.30542/Z	Screw, panel to door	10
				(34)	K.4404/Z	Washer, screw	10

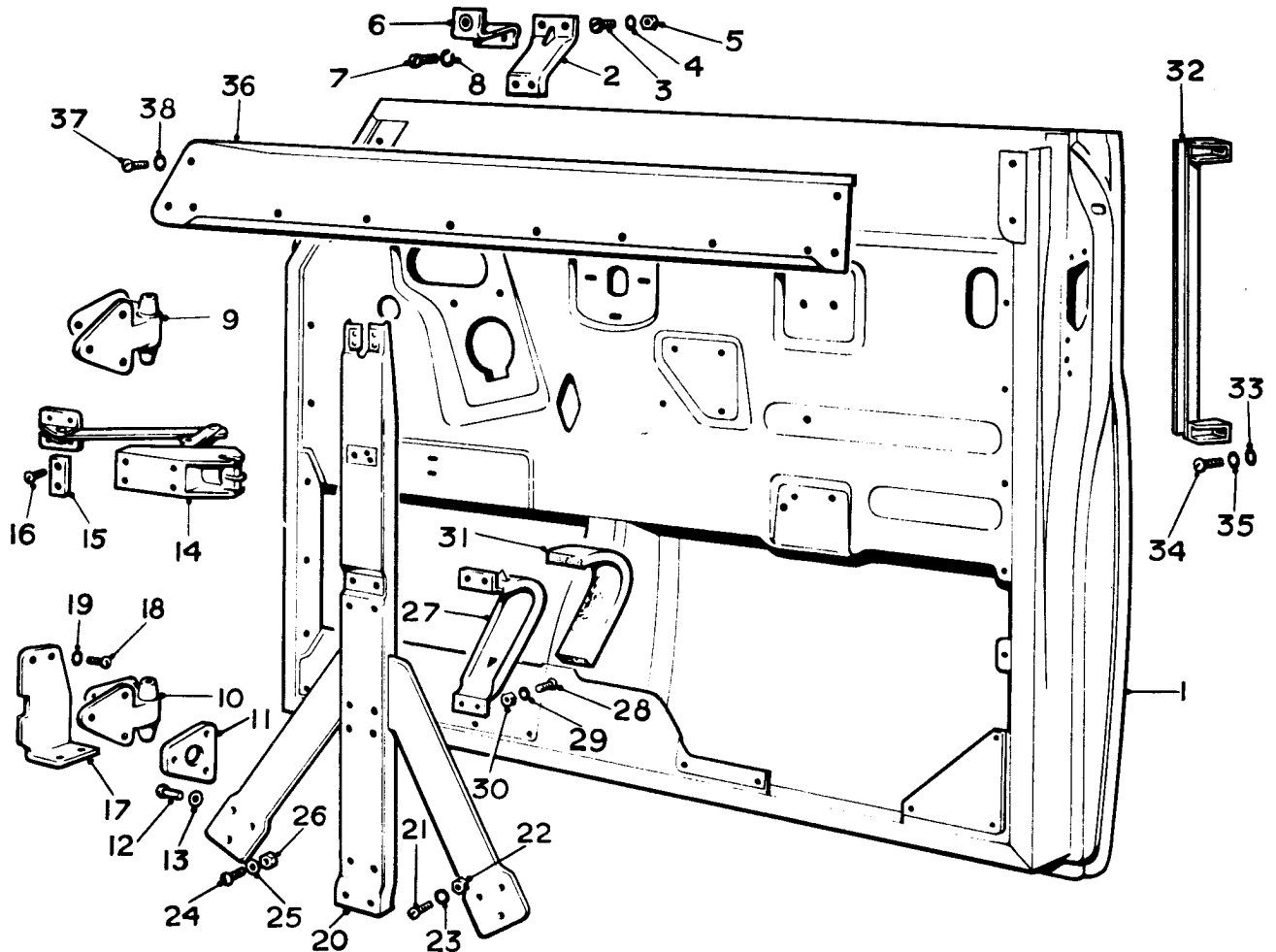
Silver Cloud ... SFE.51, 55-73, 77, 81, 121  
 Bentley "S" ... EK.1-153, 157-161, 165-267, 271-277, 281, 283, 287, 321, 323, 327, 343, 351, 355, 365-369, 375, 377, 383, 385, 391, 395, 397, 405, 407, 433, 435, 439, 467, 469.

## FRONT DOORS.



# SPARES schedule

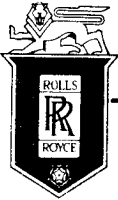
SILVER CLOUD AND BENTLEY 'S' TYPE



Ref.	Part No.	Description	No off	Ref.	Part No.	Description	No. off
(1)	373/040 473/110	DOOR ASSY., COMPLETE, R.H. DOOR COMPLETE, LESS FIX- TURES AND FITTINGS	1 1	(17)	173/280 173/281	Plate, cover, lower hinge, R.H. Plate, cover, lower hinge, L.H.	1 1
(2)	173/532	Bracket, stiffener, inner panel	1	(18)	CS.30562/Z	Screw, plate to door	4
(3)	CS.30200/Z	Screw, bracket to panel	2	(19)	CS.30542/Z	Screw, plate to door	4
(4)	CS.32056/Z	Washer, Shakeproof, screw	4	(20)	373/338	Bracket, support, glass stop, R.H.	1
(5)	K.4006/Z	Nut, screw	2	(21)	373/339	Bracket, support, glass stop, L.H.	1
(6)	373/266	Bracket, assembly, finisher	1	(22)	CS.30121/Z	Screw, bracket to door	4
(7)	CS.30143/Z	Screw, bracket to door	2	(23)	K.4006/Z	Nut, screw	4
(8)	CS.32056/Z	Washer, Shakeproof, screw	2	(24)	KC.178/Z	Screw, bracket to door	8
(9)	273/175	Hinge, upper	1	(25)	K.4404/Z	Washer, screw	12
(10)	273/176	Hinge, lower	1	(26)	CS.30541/Z	Screw, support bracket brace	12
(11)	273/184	Plate, tapping, lower hinge	1	(27)	K.4404/Z	Washer, screw	12
(12)	UA.4602/Z	Screw, hinge to door	6	(28)	K.4006/Z	Nut, screw	12
(13)	CS.32060/Z	Washer, Shakeproof, screw	6	(29)	173/204	Bracket, glass stop	2
(14)	UB.2631	Strap, check, and door opening assistant	1	(30)	CS.30542/Z	Screw, glass stop bracket	8
(15)	273/187	Washer, strap to door	2	(31)	K.4404/Z	Washer, screw	8
(16)	UA.102/Z 373/041	Screw, check strap	4	(32)	262/141	Nut, screw	8
		DOOR, ASSY., COMPLETE, L.H.	1			Felt, glass stop	2
	473/111	As for R.H. except :— DOOR COMPLETE, LESS FIX- TURES AND FITTINGS	1	(32)	UB.2074	Channel, glass, front, lower	2
	173/533	Bracket, stiffener, inner panel	1	(33)	UB.2075	Washer, packing, channel	8
	373/267	Bracket, assembly, finisher	1	(34)	CS.30542/Z	Screw, channel	4
Silver Cloud	SFE.53, 75, 79, 83-119, 123 onwards			(35)	K.4404/Z	Washer, screw	4
Bentley "S"	EK.155, 163, 269, 279, 285, 289-319, 325, 329-335, 339, 341, 345-349, 353, 357-363, 371, 373, 379, 381, 387, 389, 393, 399-403, 409-431, 437, 441-465, 471 onwards.			(36)	UB.2766	Panel, waist rail, R.H.	1
				(37)	UB.2765	Panel, waist rail, L.H.	1
				(38)	CS.30542/Z	Screw, panel to door	10
					K.4404/Z	Washer, screw	10

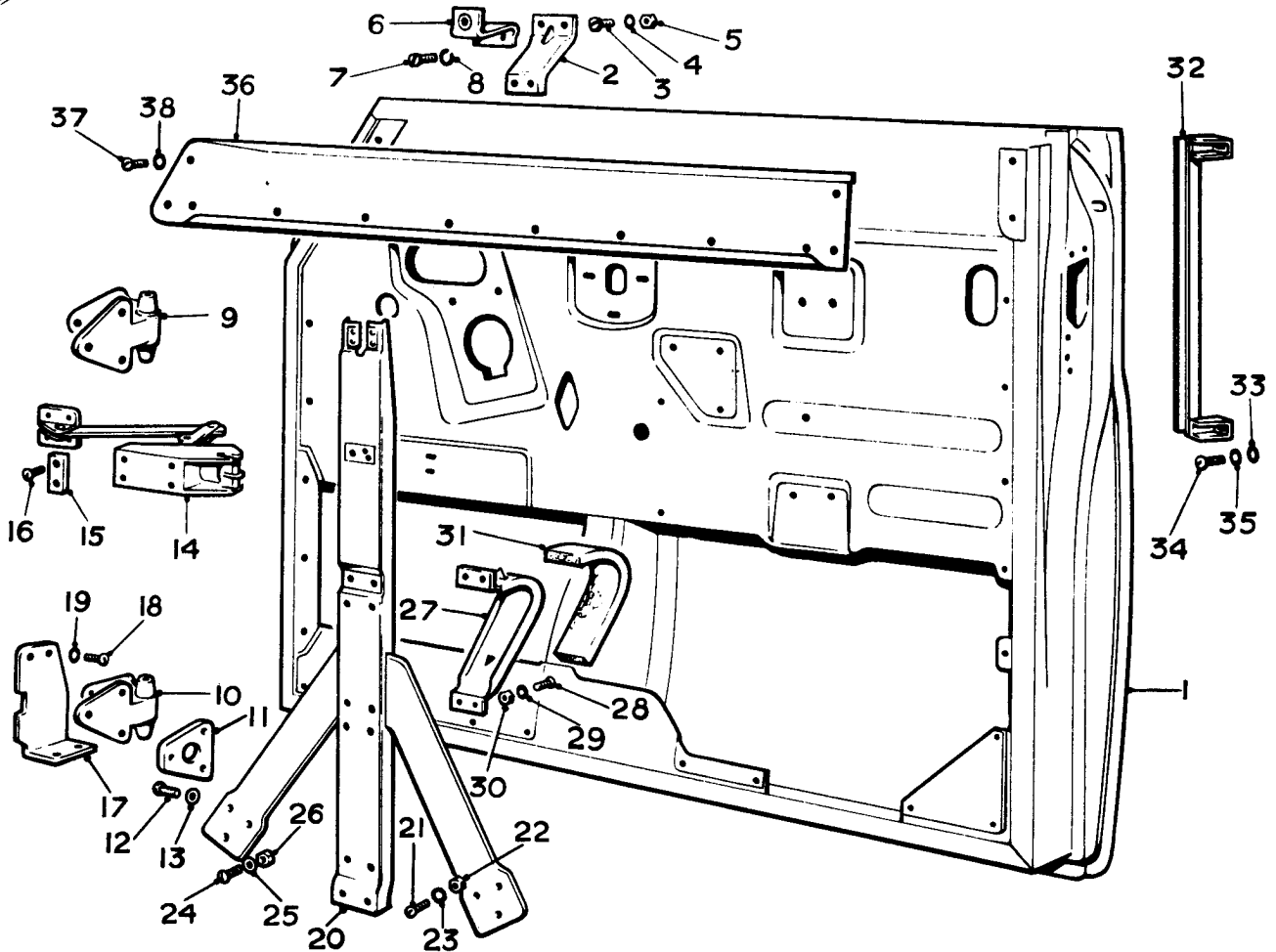
Silver Cloud and Bentley "S" L.W.B.—Bodies 1—29

## FRONT DOORS.



# SPARES schedule

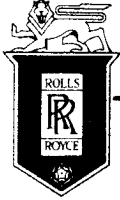
SILVER CLOUD AND BENTLEY 'S' TYPE



Ref.	Part No.	Description	No off	Ref.	Part No.	Description	No off
	45B6/54	<b>DOOR ASSY., COMPLETE, R.H.</b>	1	(18)	CS.30562/Z	Screw, cover plate to door	4
(1)	RH	<b>DOOR COMPLETE, LESS FIXTURES AND FITTINGS</b>	1		CS.30542/Z	Screw, cover plate to door	4
(2)	173/532	Bracket, stiffener, inner panel	1	(19)	K.4404/Z	Washer, screw	4
(3)	CS.30200/Z	Screw, bracket to panel	2	(20)	373/338	Bracket, support, glass stop, R.H.	1
(4)	CS.32056/Z	Washer, Shakeproof, screw	2		373/339	Bracket, support, glass stop, L.H.	1
(5)	K.4006/Z	Nut, screw	2	(21)	CS.30121/Z	Screw, bracket to door	4
(6)	373/266	Bracket, assembly, finisher	1	(22)	K.4006/Z	Nut, screw	4
(7)	CS.30143/Z	Screw, bracket to door	2		KC.178/Z	Screw, bracket to door	8
(8)	CS.32056/Z	Washer, Shakeproof, screw	2	(23)	K.4404/Z	Washer, screw	12
(9)	273/175	Hinge, upper	1	(24)	CS.30541/Z	Screw, support bracket brace	12
(10)	273/176	Hinge, lower	1	(25)	K.4404/Z	Washer, screw	12
(11)	273/184	Plate, tapping, lower hinge	1	(26)	K.4006/Z	Nut, screw	12
(12)	UA.4602/Z	Screw, hinge to door	6	(27)	173/204	Bracket, glass stop	2
(13)	CS.32060/Z	Washer, Shakeproof, screw	6	(28)	CS.30542/Z	Screw, glass stop bracket	8
(14)	UB.2631	Strap, check and door opening assistant	1	(29)	K.4404/Z	Washer, screw	8
(15)	273/187	Washer, strap to door	2	(30)	K.4006/Z	Nut, screw	8
(16)	UA.102/Z	Screw, check strap	4	(31)	262/141	Felt, glass stop	2
	45B6/53	<b>DOOR ASSY., COMPLETE, L.H.</b>	1			(Not required with electric window lifts)	
	RH	As for R.H. except —		(32)	UB.2074	Channel, glass, front, lower	2
	173/533	<b>DOOR COMPLETE, LESS FIXTURES AND FITTINGS</b>	1	(33)	UB.2075	Washer, packing, channel	8
		Bracket, stiffener, inner panel, L.H.	1	(34)	CS.30542/Z	Screw, channel	4
	373/267	Bracket, assembly, finisher	1	(35)	K.4404/Z	Washer, screw	4
(17)	173/280	Plate, cover, lower hinge, R.H.	1	(36)	UB.2766	Panel, waist rail, R.H.	1
	173/281	Plate, cover, lower hinge, L.H.	1		UB.2765	Panel, waist rail, L.H.	1
				(37)	CS.30542/Z	Screw, panel to door	0
				(38)	K.4404	Washer, screw	0

Silver Cloud and Bentley "S" L.W.B. Bodies 30 and onwards

## FRONT DOORS.

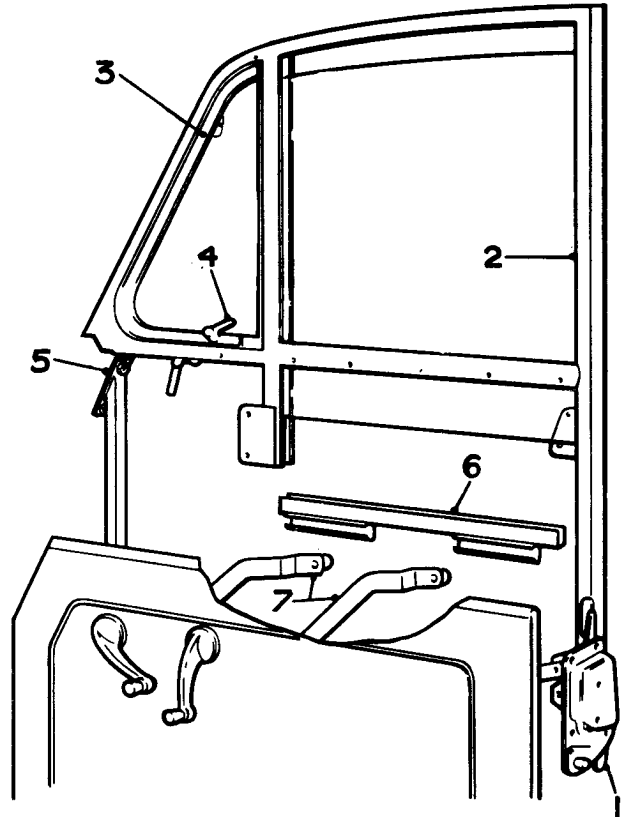


# SPARES schedule

SILVER CLOUD AND BENTLEY 'S' TYPE



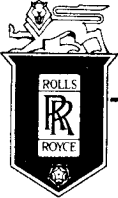
Ref.	Part No.	Description	No off
(1)	UB.1880	<b>LOCK AND REMOTE CONTROL ASSEMBLY, R.H.</b>	1
	UB.1884	Plant, rotary lock	1
	UB.1881	<b>LOCK AND REMOTE CONTROL ASSEMBLY, L.H.</b>	1
	UB.1885	Plant, rotary lock	1
	CS.30602/E	Screw, lock to door	6
	CS.30601/E	Screw, lock to door	2
	CS.30562/E	Screw, lock to door	2
	CS.34324/E	Washer, screw	8
	CS.30100/Z	Screw, control to door	6
	K.4452/Z	Washer, screw	6
(2)	UB.22185/A	<b>FRAME ASSY. AND VENT, R.H.</b>	1
	UB.2218	Frame	1
	UB.1088	Seal, felt, drop glass top	A1
	UB.1209	Seal, felt, drop glass side	L2
	UB.2381	Seal, felt, top	2
	UB.2319	Seal, sides	B2
	CS.35082/Z	Rivet, seal	2
		(Alt. Not with electric windows)	
	UB.2814	Seal, top	2
	UB.2815	Cord, top seal	2
		(With electric windows only)	
(3)	UB.2224	Seal, ventilator glass, R.H.	1
	UB.2222	<b>FRAME, ASSY., SWIVELLING</b>	1
	RB.5821	Ball, ventilator hinge	1
	RB.4539	Strip, glazing, ventilator	1
	UB.2216	Glass, ventilator	1
	UB.2357	Glass, ventilator (Sundym.)	1
		(Alt)	
(4)	RB.5836	Washer, wave, handle	1
	UB.2210	<b>HANDLE ASSEMBLY</b>	1
	K.9005/Z	Washer, handle	1
	RB.5822	Screw, handle	1
	K.9005/Z	Washer, handle	1
	UB.2212	Plate, striker, handle	1
	CS.33078/Z	Screw, striker plate	2
	K.4875/N	Pin, taper, pivot spindle	1
	RB.5814	Washer, thrust, pivot	1
	RB.5817	Piece, distance, pivot	1
	RB.5812	Washer, friction, pivot	2
	RB.5816	Plate, friction, pivot	2
	RB.5811	Washer, star, pivot	1
	RB.5813	Washer, friction disc	1
	UB.2035	Washer, spring compression .036 in.	1
	UB.2036	Washer, spring compression .048 in.	As reqd.
	UB.2039	Washer, spring compression .080 in.	As reqd.
	RB.5818	Sleeve, spring, pivot	1
	RB.5835	Spring, pivot	1
	RB.5810	Washer, spring	1
	UA.1251/Z	Washer, friction pivot	1
	UA.351/Z	Nut, friction pivot	2
	UB.1863	Washer, packing, friction plate	8
	KC.152/N	Screw, friction plate	2
	K.4404/Z	Washer, screw	2
(5)	UB.1168	<b>CHANNEL, FRONT SUPPORT ASSEMBLY</b>	1
	CS.30601/SS	Screw, support channel	2
	UB.22175/A	<b>FRAME ASSY. AND VENT, L.H.</b>	1
		(As for R.H. except) :	
	UB.2217	Frame	1
	UB.2223	Seal, ventilator	1



Ref.	Part No.	Description	No off
	UB.2221	<b>FRAME, ASSY., SWIVELLING</b>	1
	UB.2211	<b>HANDLE, ASSY.</b>	1
	UB.1693	Seal, window frame to door	2
	UB.2772	Seal, front window assembly	2
	KB.13808	Rivet, seal and window frame	10
	CS.30102/Z	Screw, window frame to door	2
	CS.32056/Z	Washer, screw	2
	UE.1269	Washer, adjusting, window frame	26
	KC.184/Z	Screw, front support channel	4
	UA.2051/Z	Washer, screw	4
	KC.179/Z	Bolt, window frame	10
	CS.32068/Z	Washer, bolt	6
	UA.2051/Z	Washer, chamfered, bolt	4
	UB.1351	Glass, window	2
	UB.1087	Glass, window (Sundym)	2
	RB.2534	Strip, glazing, window glass	2
		(Not with electric window lifts)	
	UB.2320	Glass, window	2
	UB.2321	Glass, window (Sundym)	2
	UB.2812	Strip, glazing, window glass	2
		(With electric window lifts only)	
(6)	UB.1224	<b>CHANNEL, LOWER, ASSY., R.H.</b>	1
	UB.1225	<b>CHANNEL, LOWER, ASSY., L.H.</b>	1
	UB.1018	<b>REGULATOR, ASSY., L.H.</b>	1
(7)	UB.1017	<b>REGULATOR, ASSY., R.H.</b>	1
	CS.30542/Z	Screw, regulator to door	14
	CS.30546/Z	Screw, regulator to door	2
	UB.2015	Piece, distance, regulator	2
	K.4404/Z	Washer, screw	16
	KB.1094	Washer, packing, regulator handle	2
	UB.2660	Handle, regulator	2
		(Not with electric window lifts)	

Silver Cloud ... SWA.2-SJF.124, 128-138  
 Bentley "S" ... AN.2-FD.383, 387-419, 423, 425, 429, 431, 437, 455, 631

## FRONT DOORS (TRIM AND FITTINGS)

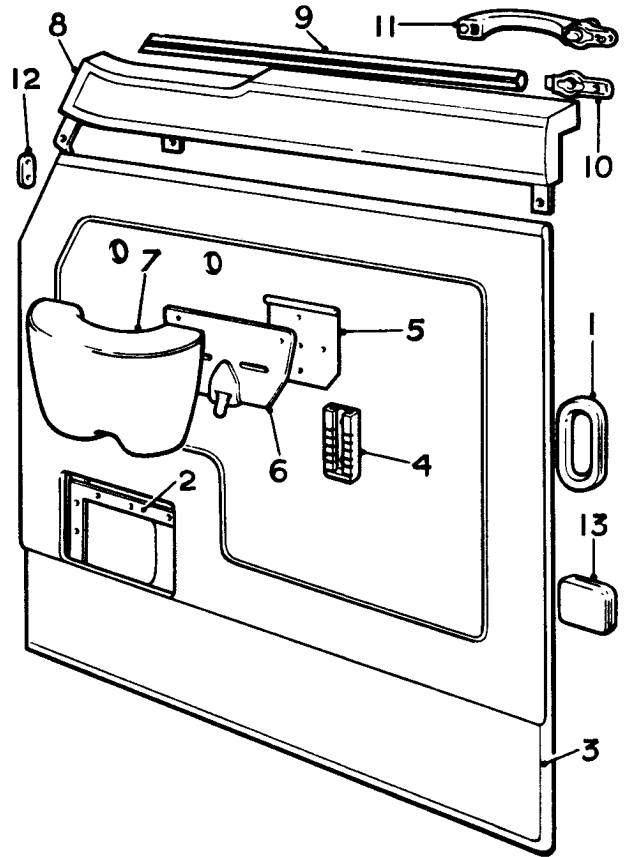


# SPARES schedule

SILVER CLOUD AND BENTLEY 'S' TYPE



Ref.	Part No.	Description	No off
	UB.1921	Nut, pocket to door	8
(1)	UB.2563	Grommet, switch insulation (Electric window lifts only)	2
(2)	UB.2154	POCKET ASSEMBLY, R.H.	1
	UB.2153	POCKET ASSEMBLY, L.H.	1
	CS.30053/Z	Screw, pocket to door	8
	UB.1833	Washer, cup, screw	8
	UW.1652	Panel, plastic, door	2
	UW.1654	Panel, plastic, pocket	2
(3)	UW.1246S/A	PANEL, TRIM, ASSY., DOOR, R.H.	1
	UW.1529	Carpet, kicking strip	1
	UB.2301	Clip, trim panel	23
	UB.2302	Fastener, clip (Not with electric window lifts)	23
	UW.1756S/A	PANEL, TRIM, ASSY., DOOR, R.C.	1
		(R.H. as above except panel)	
	UW.1750S/A	PANEL, TRIM, ASSY., DOOR, L.C.	1
		(R.H. as above except panel)	
		(With electric window lifts only)	
	UW.1247S/A	PANEL, TRIM, ASSY., DOOR, L.H.	1
		(As for R.H. except):	
	UW.1530	Carpet, kicking strip (Not with electric window lifts)	1
	UW.1749S/A	PANEL, TRIM, ASSY., DOOR, R.C.	1
		(L.H. as above except panel)	
	UW.1755S/A	PANEL, TRIM, ASSY., DOOR, L.C.	1
		(L.H. as above except panel)	
		(With electric window lifts only)	
(4)	UB.1639	Housing, slide, arm rest	2
	K.9709/Z	Tube, distance	4
	CS.30127/E	Screw, housing to door	4
(5)	UB.1640	Slide, arm rest assembly	2
	K.6509/Z	Pin, slide to base plate	4
	K.4407/Z	Washer, slide	8
	UB.1647	Spring, slide	4
	K.4607/Z	Pin, split, slide	4
(6)	UB.1643	Base plate, arm rest	2
	CS.34021/E	Screw, base plate	12
(7)	UW.1221	ARM REST, ASSEMBLY	2
	UW.1807	Trim, finisher to door	2
(8)	UW.1132	FINISHER ASSEMBLY, R.H.	1
	UW.1133	FINISHER ASSEMBLY, L.H.	1
(9)	UB.1056	Strip, moulding, R.H.	1
	UB.1066	Strip, moulding, L.H.	1
	UB.1573	Clip, strip—to door	8
(10)	UB.1055	Moulding, R.H.	1
	UB.1054	Moulding, L.H.	1
(11)	UB.1866	HANDLE, OUTSIDE, ASSY.	2
	UB.1868	Button and spring assembly	2
	KC.172/Z	Setscrew, handle to door	2
	K.4006/Z	Nut, setscrew	2
	K.9006/Z	Washer, nut	4
	UB.1133	Grommet, handle	2
	KB.1092	Washer, packing, inside handle	2
	RB.2418	Handle, door, inside	2
	UB.1022	Lock, private, R.H.	1
	UB.1021	Lock, private, L.H.	1
		(With keys prefixed BSM, BSL, CBM and CBL)	
	UB.2461	Lock, private, R.H.	1
	UB.2460	Lock, private, L.H.	1
		(With keys prefixed BHM, BHL, RHM and RHL)	

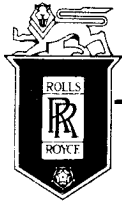


Ref.	Part No.	Description	No off
	UB.2356	Lock, private, R.H.	1
	UB.2355	Lock, private, L.H.	1
	UB.2349	Housing, weather shield	2
	UB.2352	Shield, weather	2
	UB.2354	Screw, shield to housing	2
	K.4450/Z	Washer, screw	2
	UB.2351	Spring, shield to housing (Cars with weather shields on private locks)	2
	UB.1855	Cup, drain, dust seal	4
	UB.1856	Filter, drain cup	4
	KB.13870	Rivet, cup to door (Export cars only)	12
(12)	UB.1678	Plate, striker, door switch, .192 in.	2
	UB.1679	Plate, striker, door switch, .252 in.	2
	UB.1680	Plate, striker, door switch, .128 in.	2
		Alt	
	CS.31183/Z	Screw, striker plate	4
	UB.1360	Block, sealing, R.H.	1
	UB.1356	Block, sealing, L.H.	1
(13)	UB.2547	Grommet, blanking, conduit hole (Not required with electric window lifts)	2

Silver Cloud  
Bentley "S"

... SWA.2-SJF.124, 128-138  
... AN.2-FD.383, 387-419, 423,  
425, 429, 431, 437, 455, 631

FRONT DOORS  
(TRIM AND FITTINGS)  
(Continued)

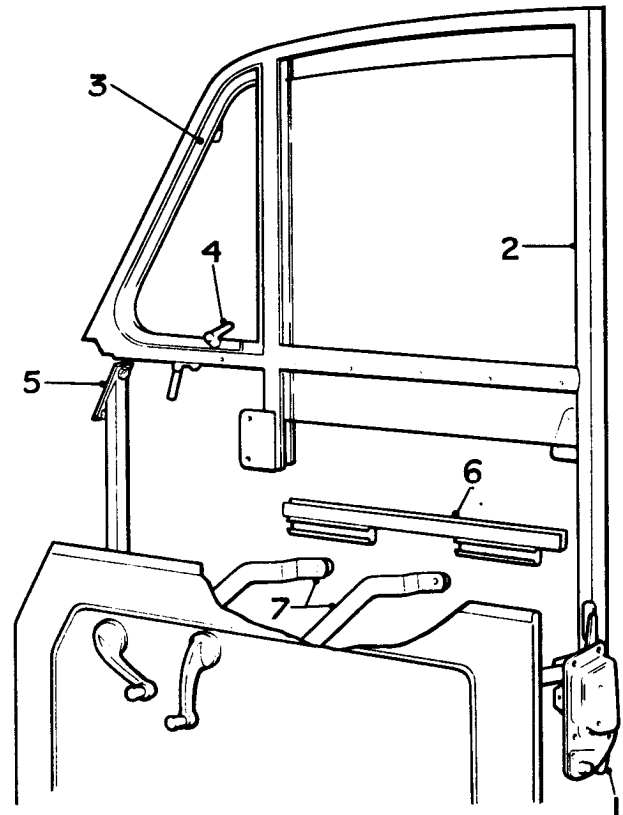


# SPARES schedule

SILVER CLOUD AND BENTLEY 'S' TYPE



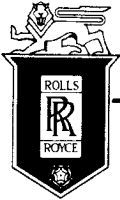
Ref.	Part No.	Description	No off
(1)	UB.1880	<b>LOCK AND REMOTE CONTROL ASSEMBLY, R.H.</b>	1
	UB.1884	Plant, rotary lock	1
	UB.1881	<b>LOCK AND REMOTE CONTROL ASSEMBLY, L.H.</b>	1
	UB.1885	Plant, rotary lock	1
	CS.30602/E	Screw, lock to door	6
	CS.30601/E	Screw, lock to door	2
	CS.30562/E	Screw, lock to door	2
	CS.34324/E	Washer, screw	8
	CS.30100/Z	Screw, control to door	6
	K.4452/Z	Washer, screw	6
(2)	UB.2218S/A	<b>FRAME ASSY. AND VENT, R.H.</b>	1
	UB.2218	Frame	1
	UB.1088	Seal, felt, drop glass top	A1
	UB.1209	Seal, felt, drop glass side	L2
	UB.2381	Seal, felt, top	2
	UB.2319	Seal, sides	B2
	CS.35082/Z	Rivet, seal	2
		(Alt. Not with electric windows)	1
	UB.2814	Seal, top	2
	UB.2815	Cord, top seal	2
		(With electric windows only)	1
	UB.2224	Seal, ventilator glass, R.H.	1
(3)	UB.2222	<b>FRAME, ASSY., SWIVELLING</b>	1
	RB.5821	Ball, ventilator hinge	1
	RB.4539	Strip, glazing, ventilator	1
	UB.2216	Glass, ventilator	1
	UB.2357	Glass, ventilator (Sundym.)	1
		(Alt)	1
(4)	RB.5836	Washer, wave, handle	1
	UB.2210	<b>HANDLE ASSEMBLY</b>	1
	K.9005/Z	Washer, handle	1
	RB.5822	Screw, handle	1
	K.9005/Z	Washer, handle	1
	UB.2212	Plate, striker, handle	1
	CS.33078/Z	Screw, striker plate	2
	K.4875/N	Pin, taper, pivot spindle	1
	RB.5814	Washer, thrust, pivot	1
	RB.5817	Piece, distance, pivot	1
	RB.5812	Washer, friction, pivot	2
	RB.5816	Plate, friction, pivot	2
	RB.5811	Washer, star, pivot	1
	RB.5813	Washer, friction disc	1
	UB.2035	Washer, spring compression .036 in.	1
	UB.2036	Washer, spring compression .048 in.	As reqd.
	UB.2039	Washer, spring compression .080 in.	As reqd.
	RB.5818	Sleeve, spring, pivot	1
	RB.5835	Spring, pivot	1
	RB.5810	Washer, spring	1
	UA.1251/Z	Washer, friction pivot	1
	UA.351/Z	Nut, friction pivot	2
	UB.1863	Washer, packing, friction plate	8
	KC.152/N	Screw, friction plate	2
	K.4404/Z	Washer, screw	2
(5)	UB.1168	<b>CHANNEL, FRONT SUPPORT ASSEMBLY</b>	1
	CS.30601/SS	Screw, support channel	2
	UB.2217S/A	<b>FRAME ASSY. AND VENT, L.H.</b>	1
		(As for R.H. except):	1
	UB.2217	Frame	1
	UB.2223	Seal, ventilator	1



Ref.	Part No.	Description	No off
	UB.2221	<b>FRAME, ASSY., SWIVELLING</b>	1
	UB.2211	<b>HANDLE, ASSY.</b>	1
	UB.1693	Seal, window frame to door	2
	UB.2772	Seal, front window assembly	2
	KB.13808	Rivet, seal and window frame	10
	CS.30102/Z	Screw, window frame to door	2
	CS.32056/Z	Washer, screw	2
	UE.1269	Washer, adjusting, window frame	26
	KC.184/Z	Screw, front support channel	4
	UA.2051/Z	Washer, screw	4
	KC.179/Z	Bolt, window frame	10
	CS.32068/Z	Washer, bolt	6
	UA.2051/Z	Washer, chamfered, bolt	4
	UB.1351	Glass, window	2
	UB.1087	Glass, window (Sundym)	2
	RB.2534	Strip, glazing, window glass	2
		(Not with electric window lifts)	1
	UB.2320	Glass, window	2
	UB.2321	Glass, window (Sundym)	2
	UB.2812	Strip, glazing, window glass	2
		(With electric window lifts only)	1
(6)	UB.1224	<b>CHANNEL, LOWER, ASSY., R.H.</b>	1
	UB.1225	<b>CHANNEL, LOWER, ASSY., L.H.</b>	1
	UB.1018	<b>REGULATOR, ASSY., L.H.</b>	1
(7)	UB.1017	<b>REGULATOR, ASSY., R.H.</b>	1
	CS.30542/Z	Screw, regulator to door	14
	CS.30546/Z	Screw, regulator to door	2
	UB.2015	Piece, distance, regulator	2
	K.4404/Z	Washer, screw	16
	KB.1094	Washer, packing, regulator handle	2
	UB.2660	Handle, regulator	2
		(Not with electric window lifts)	1

Silver Cloud ... SJF.126, 140 onwards  
 Bentley "S" ... FD.385, 421, 427, 433, 435, 439-453, 457-629, 633 onwards  
 Silver Cloud L.W.B. ... ALCI onwards  
 Bentley "S" L.W.B. ... ALB.I onwards

## FRONT DOORS (TRIM AND FITTINGS)

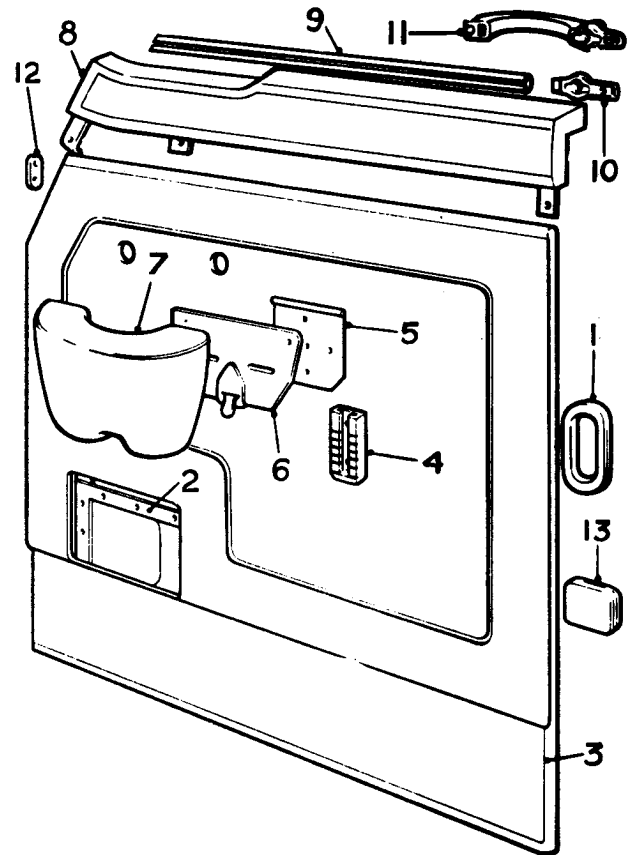


# SPARES schedule

SILVER CLOUD AND BENTLEY 'S' TYPE



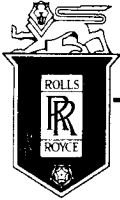
Ref.	Part No.	Description	No off
	UB.1921	Nut, pocket to door	8
(1)	UB.2563	Grommet, switch insulation (Electric window lifts only)	2
(2)	UB.2154	POCKET ASSEMBLY, R.H.	1
	UB.2153	POCKET ASSEMBLY, L.H.	1
	CS.30053/Z	Screw, pocket to door	8
	UB.1833	Washer, cup, screw	8
	UW.1652	Panel, plastic, door	2
	UW.1654	Panel, plastic, pocket	2
(3)	UW.1246S/A	PANEL, TRIM, ASSY., DOOR, R.H.	1
	UW.1529	Carpet, kicking strip	1
	UB.2301	Clip, trim panel	23
	UB.2302	Fastener, clip	23
		(Not with electric window lifts)	
	UW.1756S/A	PANEL, TRIM, ASSY., DOOR, R.C. (R.H. as above except panel)	1
	UW.1750S/A	PANEL, TRIM, ASSY., DOOR, L.C. (R.H. as above except panel)	1
		(With electric window lifts only)	
	UW.1247S/A	PANEL, TRIM, ASSY., DOOR, L.H.	1
		(As for R.H. except):	
	UW.1530	Carpet, kicking strip	1
		(Not with electric window lifts)	
	UW.1749S/A	PANEL, TRIM, ASSY., DOOR, R.C. (L.H. as above except panel)	1
	UW.1755S/A	PANEL, TRIM, ASSY., DOOR, L.C. (L.H. as above except panel)	1
		(With electric window lifts only)	
(4)	UB.1639	Housing, slide, arm rest	2
	K.9709/Z	Tube, distance	4
	CS.30127/E	Screw, housing to door	4
(5)	UB.1640	Slide, arm rest assembly	2
	K.6509/Z	Pin, slide to base plate	4
	K.4407/Z	Washer, slide	8
	UB.1647	Spring, slide	4
	K.4607/Z	Pin, split, slide	4
(6)	UB.1643	Base plate, arm rest	2
	CS.34021/E	Screw, base plate	2
(7)	UW.1221	ARM REST, ASSEMBLY	2
	UW.1807	Trim, finisher to door	2
(8)	UW.1132	FINISHER ASSEMBLY, R.H.	1
	UW.1133	FINISHER ASSEMBLY, L.H.	1
(9)	UB.2370	Strip, moulding, R.H.	1
	UB.2369	Strip, moulding, L.H.	1
	UB.1573	Clip, strip—to door	8
(10)	UB.2360	Moulding, R.H.	1
	UB.2361	Moulding, L.H.	1
(11)	UB.2196	HANDLE, OUTSIDE, ASSY.	2
	UB.2383	Button and spring assembly	2
	KC.172/Z	Setscrew, handle to door	2
	K.4006/Z	Nut, setscrew	2
	K.9006/Z	Washer, nut	4
	UB.1133	Grommet, handle	2
	KB.1092	Washer, packing, inside handle	2
	RB.2418	Handle, door, inside	2
	UB.1022	Lock, private, R.H.	1
	UB.1021	Lock, private, L.H.	1
		(With keys prefixed BSM, BSL, CBM and CBL)	
	UB.2461	Lock, private, R.H.	1
	UB.2460	Lock, private, L.H.	1
		(With keys prefixed BHM, BHL, RHM and RHL)	



Ref.	Part No.	Description	No off
	UB.2356	Lock, private, R.H.	1
	UB.2355	Lock, private, L.H.	1
	UB.2349	Housing, weather shield	2
	UB.2352	Shield, weather	2
	UB.2354	Screw, shield to housing	2
	K.4450/Z	Washer, screw	2
	UB.2351	Spring, shield to housing	2
		(Cars with weather shields on private locks)	
	UB.1855	Cup, drain, dust seal	4
	UB.1856	Filter, drain cup	4
	KB 13870	Rivet, cup to door	12
		(Export cars only)	
(12)	UB.1678	Plate, striker, door switch, .192 in.	2
	UB.1679	Plate, striker, door switch, .252 in.	2
	UB.1680	Plate, striker, door switch, .128 in.	2
		(Alt)	
	CS.31183/Z	Screw, striker plate	4
	UB.1360	Block, sealing, R.H.	1
	UB.1356	Block, sealing, L.H.	1
(13)	UB.2547	Grommet, blanking, conduit hole	2
		(Not required with electric window lifts)	

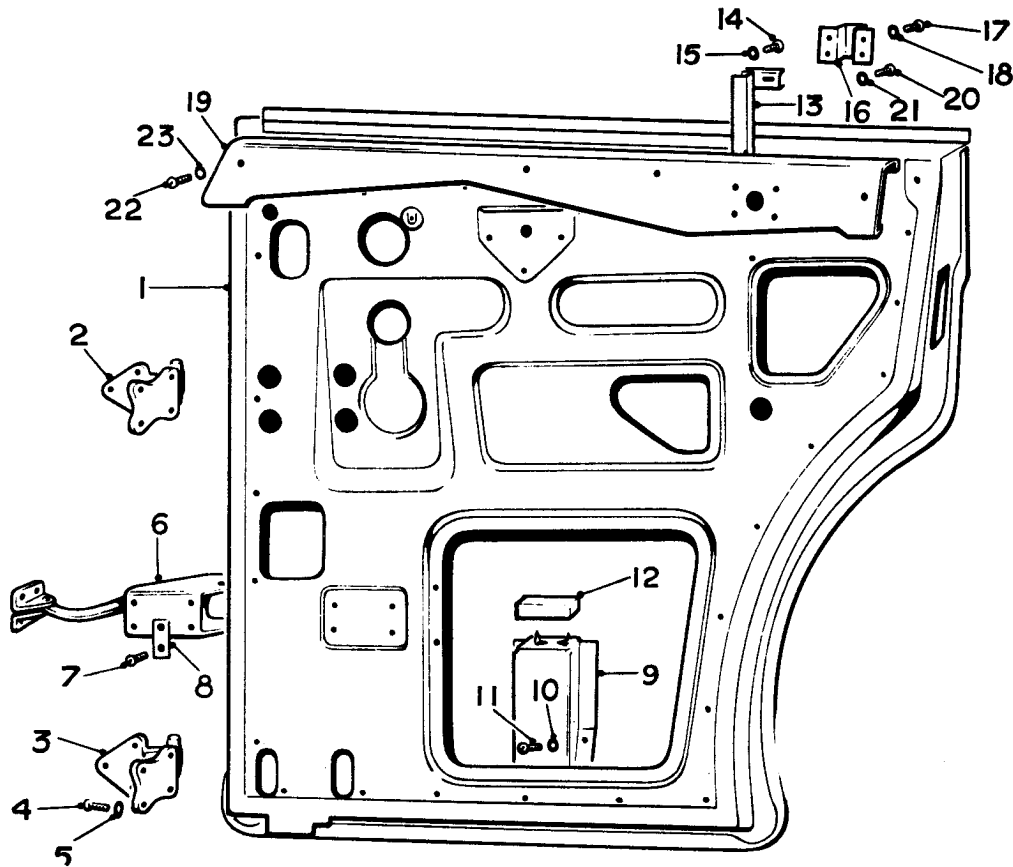
Silver Cloud ... SJF.126, 140 onwards  
 Bentley "S" ... FD.385, 421, 427, 433, 435, 439-453, 457-629, 633 onwards  
 Silver Cloud L.W.B. ... ALCI onwards  
 Bentley "S" L.W.B. ... ALB.1 onwards

## FRONT DOORS (TRIM AND FITTINGS) (Continued)



# SPARES schedule

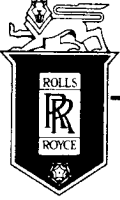
SILVER CLOUD AND BENTLEY 'S' TYPE



Ref.	Part No.	Description	No off	Ref.	Part No.	Description	No off
	373/046	DOOR ASSY., COMPLETE R.H.	1	(11)	KC.178/Z	Screw, bracket to door	8
(1)	473/114	DOOR COMPLETE, LESS FIXTURES & FITTINGS	1	(12)	273/122	Felt, glass stop	2
(2)	273/111	Hinge, upper	1	(Not with electric window lifts)			
(3)	273/160	Hinge, lower	1	(13)	473/150	Channel, glass, rear lower, R.H.	1
(4)	UA.4553/Z	Screw, hinge to door	8		473/151	Channel, glass, rear lower, L.H.	1
(5)	CS.30528/Z	Washer, Shakeproof, screw	8	(14)	CS.30542/Z	Screw, channel to door	4
(6)	473/144	Strap, check, and door opening assistant	1	(15)	K.4404/Z	Washer, screw	6
(7)	CS.30581/Z	Screw, strap to door	4	(16)	373/282	Bracket, waist rail panel, R.H.	1
(8)	UB.2341	Washer, screw	2		373/283	Bracket, waist rail panel, L.H.	1
	373/047	DOOR ASSY., COMPLETE L.H.	1	(17)	KC.153/Z	Screw, bracket to door	2
	473/115	(As for R.H. except) DOOR COMPLETE, LESS FIXTURES AND FITTINGS	1	(18)	K.4404/Z	Washer, screw	2
(9)	173/244	Bracket, glass stop	2	(19)	373/284	Panel, waist rail, assy., R.H.	1
(10)	K.4404/Z	Washer, bracket to door (Not with electric window lifts)	8		373/285	Panel, waist rail, assy., L.H.	1
				(20)	CS.30101	Screw, panel to bracket	8
				(21)	K.4404/Z	Washer, screw	8
				(22)	CS.30542/Z	Screw, panel to door	4
				(23)	K.4404/Z	Washer, screw	4

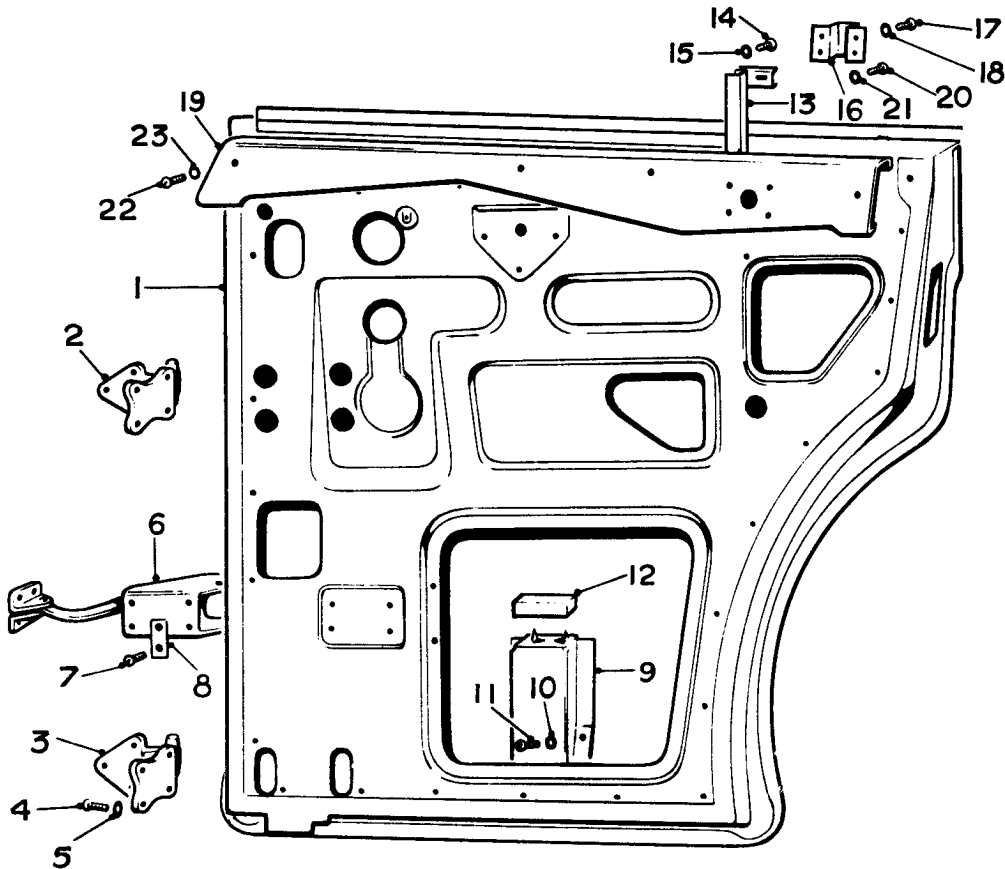
## REAR DOORS.

Silver Cloud—SFE.51, 55-73, 77, 81, 121.  
Bentley "S"—EK.1-153, 157-161, 165-267, 271-277, 281,  
283, 287, 321, 323, 327, 343, 351, 355, 365-369, 375, 377,  
383, 385, 391, 395, 397, 405, 407, 433, 435, 439, 467, 469



# SPARES schedule

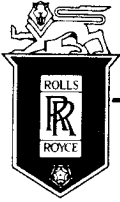
SILVER CLOUD AND BENTLEY 'S' TYPE



Ref.	Part No.	Description	No off	Ref.	Part No.	Description	No off
	373/046	DOOR ASSY., COMPLETE, R.H.	1	(9)	173/244	Bracket, glass stop	2
(1)	473/114	DOOR COMPLETE, LESS FIXTURES & FITTINGS	1	(10)	K.4404/Z	Washer, bracket to door	8
(2)	273/177	Hinge, upper	1	(11)	KC.178/Z	Screw, bracket to door	8
(3)	273/178	Hinge, lower	1	(12)	273/122	Felt, glass stop	2
(4)	UA.4602	Screw, hinge to door	8	(13)	473/150	Channel, glass, rear lower, R.H.	1
(5)	CS.32060/Z	Washer, screw	8		473/151	Channel, glass, rear lower, L.H.	1
(6)	UB.2632	Strap, check, and door opening assistant	1	(14)	CS.30542/Z	Screw, channel to door	4
(7)	UA.102/Z	Screw, strap to door	4	(15)	K.4404/Z	Washer, screw	6
(8)	273/187	Washer, strap to door	2	(16)	373/282	Bracket, waist rail panel, R.H.	1
	373/047	DOOR ASSY., COMPLETE, L.H.	1		373/283	Bracket, waist rail panel, L.H.	1
	473/115	DOOR COMPLETE, LESS FIXTURES & FITTINGS	1	(17)	KC.153/Z	Screw, bracket to door	2
				(18)	K.4404/Z	Washer, screw	2
				(19)	373/284	Panel, waist rail, assembly, R.H.	1
					373/285	Panel, waist rail, assembly, L.H.	1
				(20)	CS.30101/Z	Screw, panel to bracket	8
				(21)	K.4404/Z	Washer, screw	8
				(22)	CS.30542/Z	Screw, panel to door	4
				(23)	K.4404/Z	Washer, screw	4

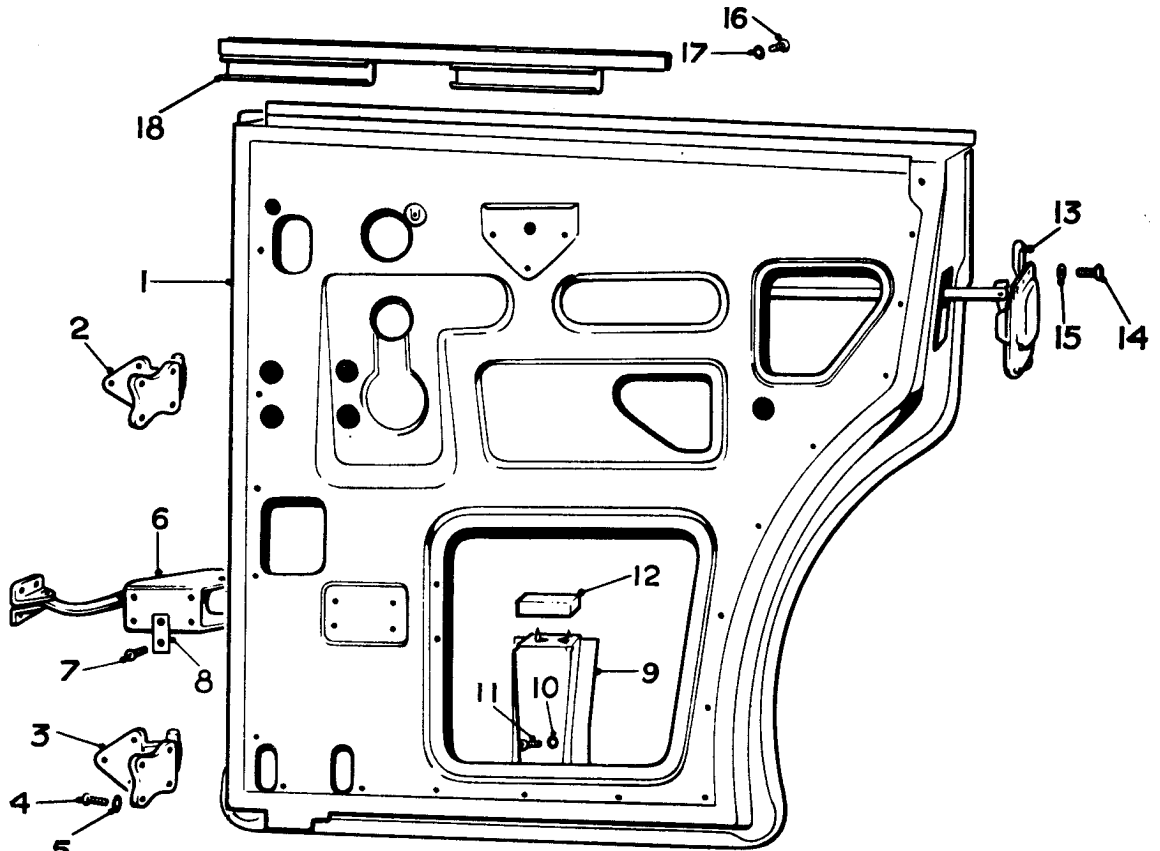
Silver Cloud—SFE.53, 75, 79, 83—119, 123 onwards  
 Bentley "S"—EK.155, 163, 269, 279, 285, 289-319,  
 325, 329-335, 339, 341, 345-349, 353, 357-363, 371, 373,  
 379, 381, 387, 389, 393, 399-403, 409-431, 437, 441-465,  
 471 onwards

## REAR DOORS.



# SPARES schedule

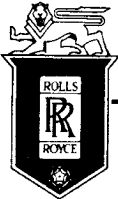
SILVER CLOUD AND BENTLEY 'S' TYPE



Ref.	Part No.	Description	No off
(1)	4SB25/1	DOOR ASSEMBLY, R.H.	1
(2)	273/177	Hinge, upper	1
(3)	273/178	Hinge, lower	1
(4)	UA.4602/Z	Screw, hinge to door	8
(5)	CS.32060/Z	Washer, Shakeproof, screw	8
(6)	UB.2632	Strap, check, and door opening assistor	1
(7)	273/187	Washer, strap to door	2
(8)	UA.102/Z	Screw, strap to door	4
(9)	173/750	Bracket, glass stop	1
(10)	K.4404/Z	Washer, bracket to door	4
(11)	KC.178/Z	Screw, bracket to door	4
(12)	273/122	Felt, glass stop	1
(13)	UB.1882	LOCK & REMOTE CONTROL, ASSY., R.H.	1
	UB.1886	Plant, rotary lock	1
(14)	CS.30602/Z	Screw, lock to door	3
	CS.30601/Z	Screw, lock to door	1
	CS.30562/Z	Screw, lock to door	1
(15)	CS.34324/E	Washer, lock to door	4
	CS.30100/Z	Screw, remote control to door	3
	K.4452/Z	Washer, screw	3
(16)	CS.30652/Z	Screw, glass channel to door	2
(17)	K.4404/Z	Washer, screw	2
	4SB24/1	DOOR ASSEMBLY, L.H.	1
	UB.1883	As for R..H except— LOCK & REMOTE CONTROL ASSEMBLY, L.H.	1
	UB.1887	Plant, rotary lock	1
(18)	UB.1227	CHANNEL, LOWER, GLASS, ASSEMBLY, R.H.	1
	UB.1226	CHANNEL, LOWER, GLASS, ASSEMBLY, L.H. (Not with electric window lifts)	1

REAR DOORS.

Silver Cloud L.W.B.—ALC.1 onwards  
Bentley "S" L.W.B.—ALB.1 onwards



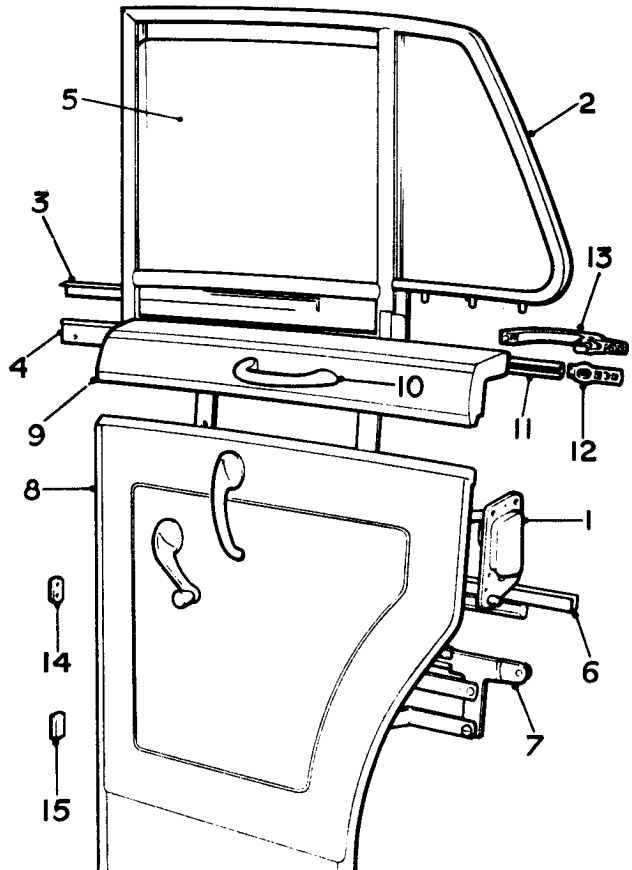
# SPARES schedule

SILVER CLOUD AND BENTLEY 'S' TYPE



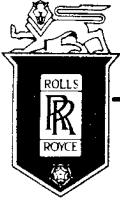
Ref.	Part No.	Description	No off
(1)	UB.1882	LOCK & REMOTE CONTROL ASSY., R.H.	1
	UB.1886	Plant, rotary lock	1
	UB.1883	LOCK & REMOTE CONTROL ASSY., L.H.	1
	UB.1887	Plant, rotary lock	1
	CS.30602/Z	Screw, lock to door	6
	CS.30601/Z	Screw, lock to door	2
	CS.30562/Z	Screw, lock to door	2
	CS.34324/Z	Washer, cup, screw	4
	CS.30100/Z	Screw, remote control to door	6
	K.4452/Z	Washer, screw	6
(2)	UB.2465S/A	FRAME & QUARTER LIGHT ASSEMBLY, R.H.	1
	UB.2465	Frame, R.H.	1
	UB.2382	Seal, top, drop glass	1
	UB.2319	Seal, sides	2
	CS.35082/Z	Rivet, seal (Not with electric window lifts)	2
	UB.2832	Seal, top, drop glass	1
	UB.2831	Cord, drop glass (With electric window lifts only)	1
	UB.1552	Channel assembly, quarter light	1
	CS.30540/Z	Screw, channel to door	3
	CS.30051/Z	Screw, channel to frame	1
	UB.1196	Seal, quarter light, upright	1
	UB.1207	Seal, quarter light, forward	1
	UB.1349	Glass, quarter light	1
	UB.1198	Glass, quarter light, "Sundym" (Alt.)	1
	UB.2464S/A	FRAME & QUARTER LIGHT ASSEMBLY, L.H.	1
		(As for R.H. except) :-	
	UB.2464	Frame	1
	UB.1553	Channel, assembly, quarter light	1
(3)	UB.1693	Seal, window frame to door	1
(4)	UB.2773	Seal, window, frame assy. and backing strip	2
	KB.13808	Rivet, seal and frame to door	10
	UE.1269	Washer, adjusting, frame to door	20
	KC.196/Z	Screw, frame to door	8
	UA.2051/Z	Washer, screw	8
	K.4006/Z	Nut, frame to door	6
	K.4404/Z	Washer, frame to door	6
(5)	UB.1353	Glass, drop	2
	UB.1197	Glass, drop, "Sundym" (Alt. Not with electric window lifts)	2
	UB.2322	Glass, drop	2
	UB.2323	Glass, drop, "Sundym" (Alt. Only with electric window lifts)	2
	RB.2534	Strip, glazing, glass (Not with electric window lifts)	2
	UB.2812	Strip, glazing, glass (With electric window lifts)	2
(6)	UB.1227	CHANNEL, LOWER GLASS ASSY., R.H.	1
	UB.1226	CHANNEL, LOWER GLASS ASSY., L.H.	1
(7)	UB.1020	REGULATOR ASSY., R.H.	1
	UB.1019	REGULATOR ASSY., L.H.	1
	CS.30542/Z	Screw, regulator to door	12
	K.4404/Z	Washer, screw	12
	KB.1094	Washer, packing, handle	2
	UB.2660	Handle, window regulator	2
	UW.1653	Panel, plastic, door panel	2
(8)	UW.1182S/A	PANEL, TRIM, DOOR ASSY., R.H.	1
	UW.1540	Carpet, kicking strip	1
	UB.2301	Clip, panel to door	17
	UB.2302	Fastener, clip (Not with electric window lifts)	17
	UW.1760S/A	PANEL, TRIM, DOOR ASSY., R.H. As above except panel. (With electric window lifts only)	1
	UW.1183S/A	PANEL, TRIM, DOOR ASSY., L.H. As for right hand except :	1
	UW.1541	Carpet, kicking strip (Not with electric window lifts)	1

Silver Cloud ... SWA.2—S.J.F.124, 128—138  
Bentley "S" ... AN.2—FD.383, 387-419, 423, 425, 429, 431, 437, 455, 631



Ref.	Part No.	Description	No off
	UW.1759S/A	PANEL, TRIM, DOOR ASSY., L.H. As above except panel (With electric window lifts only)	1
	UB.1808	Trim, rubber, finisher to door	2
(9)	UW.1148	FINISHER ASSEMBLY, R.H.	1
	UW.1147	FINISHER ASSEMBLY, L.H.	1
	CS.30542/Z	Screw, finisher to door	4
	K.4006/Z	Nut, finisher to door	2
	K.4404/Z	Washer, finisher	4
(10)	UB.1608	HANDLE, GRAB, ASSY.	2
	UB.1609	Piece, distance, grab handle	4
(11)	UB.1064	Strip, moulding	2
	UB.1573	Clip, moulding strip	8
(12)	UB.1060	Moulding, R.H.	1
	UB.1061	Moulding, L.H.	1
(13)	UB.1866	HANDLE, OUTSIDE, ASSY.	2
	UB.1868	Button and spring assembly	2
	KC.172/Z	Setscrew, handle to door	2
	K.4006/Z	Nut, setscrew	2
	K.4404/Z	Washer, nut	2
	UB.1133	Grommet, handle	2
	KB.1092	Washer, packing, inside handle	2
	RB.2418	Handle, door, inside	2
	UB.1888	Retainer, filter, drain holes, R.H.	1
	UB.1857	Retainer, filter, drain holes, L.H.	1
	UB.1858	Filter, drain holes	4
	KB.13870	Rivet, retainer to door (Export cars only)	4
(14)	UB.1678	Plate, striker, door switch, .192 in.	2
	UB.1679	Plate, striker, door switch, .252 in.	2
	UB.1680	Plate, striker, door switch, .128 in. (Alt.)	2
	CS.31183/Z	Screw, striker plate to door	4
(15)	UB.1406	Buffer, door stop	2
	KB.13870	Rivet, buffer to door	2

## REAR DOORS. TRIM & FITTINGS.



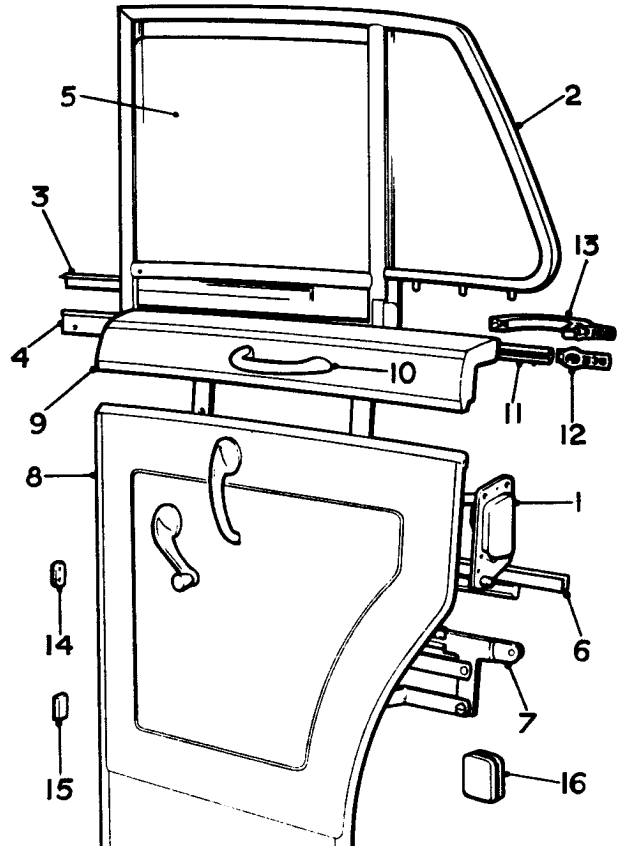
# SPARES schedule

SILVER CLOUD AND BENTLEY 'S' TYPE



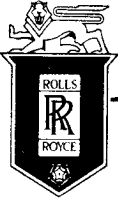
Ref.	Part No.	Description	No off
(1)	UB.1882	LOCK & REMOTE CONTROL ASSY., R.H.	1
	UB.1886	Plant, rotary lock	1
	UB.1883	LOCK & REMOTE CONTROL ASSY., L.H.	1
	UB.1887	Plant, rotary lock	1
	CS.30602/Z	Screw, lock to door	6
	CS.30601/Z	Screw, lock to door	2
	CS.30562/Z	Screw, lock to door	2
	CS.34324/Z	Washer, cup, screw	4
	CS.30100/Z	Screw, remote control to door	6
	K.4452/Z	Washer, screw	6
(2)	UB.2465S/A	FRAME & QUARTER LIGHT ASSEMBLY, R.H.	1
	UB.2465	Frame, R.H.	1
	UB.2382	Seal, top, drop glass	1
	UB.2319	Seal, sides	2
	CS.35082/Z	Rivet, seal (Not with electric window lifts)	2
	UB.2832	Seal, top, drop glass	1
	UB.2831	Cord, drop glass (With electric window lifts only)	1
	UB.1552	Channel assembly, quarter light	1
	CS.30540/Z	Screw, channel to door	3
	CS.30051/Z	Screw, channel to frame	1
	UB.1196	Seal, quarter light, upright	1
	UB.1207	Seal, quarter light, forward	1
	UB.1349	Glass, quarter light	1
	UB.1198	Glass, quarter light, "Sundym"	1
	UB.2464S/A	FRAME & QUARTER LIGHT ASSEMBLY, L.H.	1
		(As for R.H. except) :-	
	UB.2464	Frame	1
	UB.1553	Channel, assembly, quarter light	1
(3)	UB.1693	Seal, window frame to door	1
(4)	UB.2773	Seal, window, frame assy. and backing strip	2
	KB.13808	Rivet, seal and frame to door	10
	UE.1269	Washer, adjusting, frame to door	20
	KC.196/Z	Screw, frame to door	8
	UA.2051/Z	Washer, screw	8
	K.4006/Z	Nut, frame to door	6
	K.4404/Z	Washer, frame to door	6
(5)	UB.1353	Glass, drop	2
	UB.1197	Glass, drop, "Sundym" (Alt. Not with electric window lifts)	2
	UB.2322	Glass, drop	2
	UB.2323	Glass, drop, "Sundym" (Alt. Only with electric window lifts)	2
	RB.2534	Strip, glazing, glass (Not with electric window lifts)	2
	UB.2812	Strip, glazing, glass (With electric window lifts)	2
(6)	UB.1227	CHANNEL, LOWER GLASS ASSY., R.H.	1
	UB.1226	CHANNEL, LOWER GLASS ASSY., L.H.	1
(7)	UB.1020	REGULATOR ASSY., R.H.	1
	UB.1019	REGULATOR ASSY., L.H.	1
	CS.30542/Z	Screw, regulator to door	12
	K.4404/Z	Washer, screw	12
	KB.1094	Washer, packing, handle	2
	UB.2660	Handle, window regulator	2
	UW.1653	Panel, plastic, door panel	2
(8)	UW.1182S/A	PANEL, TRIM, DOOR ASSY., R.H.	1
	UW.1540	Carpet, kicking strip	1
	UB.2301	Clip, panel to door	17
	UB.2302	Fastener, clip (Not with electric window lifts)	17
	UW.1760S/A	PANEL, TRIM, DOOR ASSY., R.H.	1
		As above except panel (With electric window lifts only)	
	UW.1183S/A	PANEL, TRIM, DOOR ASSY., L.H.	1
		As for right hand except : Carpet, kicking strip (Not with electric window lifts)	

Silver Cloud ... SJF.126, 140 onwards  
 Bentley "S" ... FD.385, 421, 427, 433, 435, 439  
 453, 457-629, 633 onwards



Ref.	Part No.	Description	No off
	UW.1759S/A	PANEL, TRIM, DOOR ASSY., L.H. As above except panel (With electric window lifts only)	1
	UW.1808	Trim, rubber, finisher to door	2
(9)	UW.1148	FINISHER ASSEMBLY, R.H.	1
	UW.1147	FINISHER ASSEMBLY, L.H.	1
	CS.30542/Z	Screw, finisher to door	4
	K.4006/Z	Nut, finisher to door	2
	K.4404/Z	Washer, finisher	4
(10)	UB.1608	HANDLE, GRAB, ASSY.	2
	UB.1609	Piece, distance, grab handle	4
(11)	UB.2371	Strip, moulding	2
	UB.1573	Clip, moulding strip	8
(12)	UB.2358	Moulding, R.H.	1
	UB.2359	Moulding, L.H.	1
(13)	UB.2196	HANDLE, OUTSIDE, ASSY.	2
	UB.2383	Button and spring assembly	2
	KC.172/Z	Setscrew, handle to door	2
	K.4006/Z	Nut, setscrew	2
	K.4404/Z	Washer, nut	2
	UB.1133	Grommet, handle	2
	KB.1092	Washer, packing, inside handle	2
	RB.2418	Handle, door, inside	2
	UB.1888	Retainer, filter, drain holes, R.H.	1
	UB.1857	Retainer, filter, drain holes, L.H.	1
	UB.1858	Filter, drain holes	4
	KB.13870	Rivet, retainer to door (Export cars only)	4
(14)	UB.1678	Plate, striker, door switch, .192 in.	2
	UB.1679	Plate, striker, door switch, .252 in.	2
	UB.1680	Plate, striker, door switch, .128 in.	2
		(Alt.)	
	CS.31183/Z	Screw, striker plate to door	4
(15)	UB.1406	Buffer, door stop	2
	KB.13870	Rivet, buffer to door	2
(16)	UB.2547	Grommet, conduit hole (Not with electric window lifts)	2

## REAR DOORS. TRIM & FITTINGS.

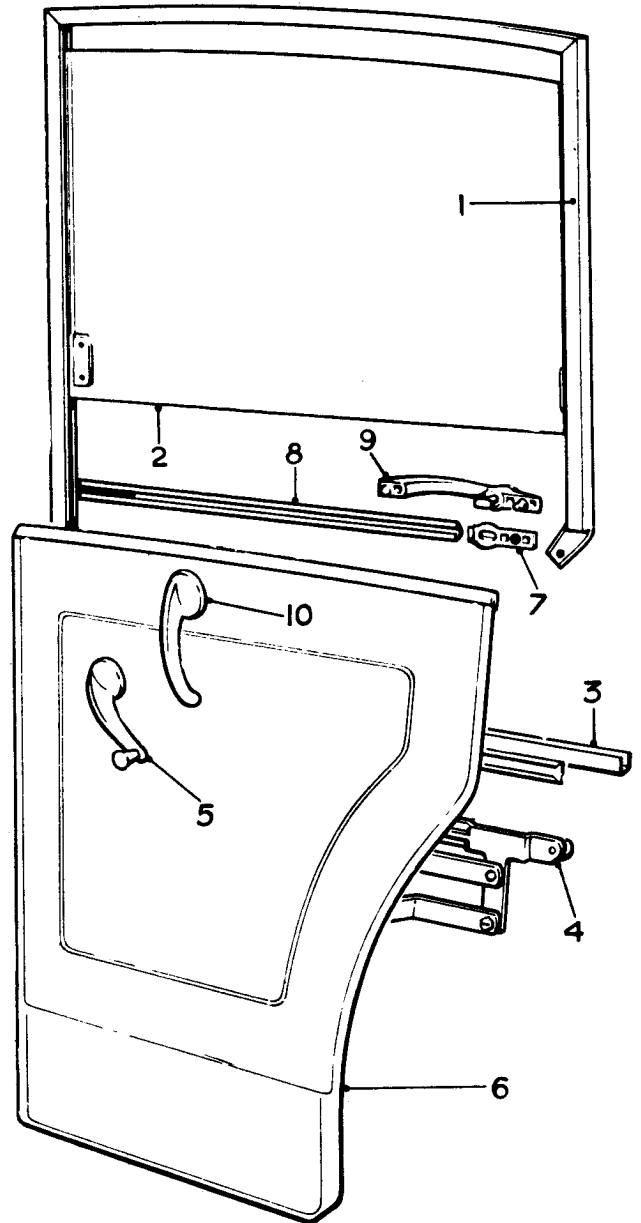


# SPARES schedule

SILVER CLOUD AND BENTLEY 'S' TYPE



Ref.	Part No.	Description	No off	
(1)	UB.2698	FRAME, TOP, ASSY., R.H.	1	
	UB.2697	FRAME, TOP, ASSY., L.H.	1	
	UB.2722	Seal, drop glass, top (Not with electric window lifts)	2	
	UB.2319	Seal, silent channel, glass side	4	
	CS.35082/Z	Rivet, seal	4	
	UB.2816	Seal, top	1	
	UB.2817	Cord, seal (With electric window lifts only)	1	
	(2)	U.B.2735	Glass, drop	2
		UB.2819	Glass, drop, "Sundym" (Alt.)	2
		UB.2799	Glass, drop	2
		UB.2800	Glass, drop, "Sundym" (Alt. with electric window lifts only)	2
	(3)	UB.1227	Channel, lower glass, Assy. R.H.	1
UB.1226		Channel, lower glass, Assy. L.H.	1	
(4)	U.B.1020	REGULATOR, ASSY., R.H.	1	
	UB.1019	REGULATOR, ASSY., L.H.	1	
(5)	UB.1012	Handle, regulator	2	
	KB.1094	Washer, packing, handle (Not with electric window lifts)	2	
	UW.1653	Panel, plastic, door panel	2	
(6)	UW.1827S/A	PANEL, TRIM, ASSY. R.H.	1	
	UB.2301	Clip, panel to door	17	
	UB.2302	Fastener, clip	17	
	UW.1828S/A	PANEL, TRIM, ASSY., L.H. As above except panel (Not with electric window lifts)	1	
UW.2006S/A	PANEL, TRIM, ASSY., R.H.	1		
	UB.2301	Clip, panel to door	17	
	UB.2302	Fastener, clip	17	
	UW.2007S/A	PANEL, TRIM, ASSY., L.H. As above except panel (With electric window lifts only)	1	
(7)	UB.1060	Moulding, R.H.	1	
	UB.1061	Moulding, L.H.	1	
(8)	UB.2440	Strip, moulding	2	
	UB.1573	Clip, moulding strip to door	2	
(9)	UB.1866	HANDLE, OUTSIDE ASSY.	2	
	UB.1868	Button and spring, assy.	2	
	KC.172/Z	Screw, handle to door	2	
	K.4006/Z	Nut, screw	2	
(10)	K.4404/Z	Washer, screw	4	
	UB.1133	Grommet, handle	2	
	KB.1092	Washer, packing, inside handle	2	
	RB.2418	Handle, door, inside	2	
	UB.2461	Lock, private, R.H.	1	
	UB.2460	Lock, private, L.H.	1	
	UB.2356	Lock, private, R.H.	1	
	UB.2355	Lock, private, L.H.	1	
	UB.2349	Housing, weather shield	2	
	UB.2352	Shield, weather	2	
UB.2354	Screw, shield to housing	2		
	K.4450/Z	Washer, screw	2	
UB.2351	Spring, shield (Cars fitted with weather shields on private locks)	2		
UB.1888	Retainer, filter, drain holes, R.H.	1		
	UB.1857	Retainer, filter, drain holes, L.H.	1	
	UB.1858	Filter, drain holes	4	
	KB.13870	Rivet, retainer to door (Export cars only)	4	
(11)	UB.1678	Plate, striker, door switch, .192 in.	2	
	UB.1679	Plate, striker, door switch, .252 in.	2	
	UB.1680	Plate, striker, door switch, .128 in. (Alt.)	2	
(12)	CS.31183/Z	Screw, striker plate to door	4	
	UB.1406	Buffer, door stop	2	
	KB.13803	Rivet, buffer to door	4	
	UB.2547	Grommet, blanking, conduit hole (Not with electric window lifts)	2	



REAR DOORS.  
TRIM AND FITTINGS.

Silver Cloud L.W.B.—ALC—CLC.7, 11, 14  
Bentley "S" L.W.B.—ALB.1—25, 28, 29

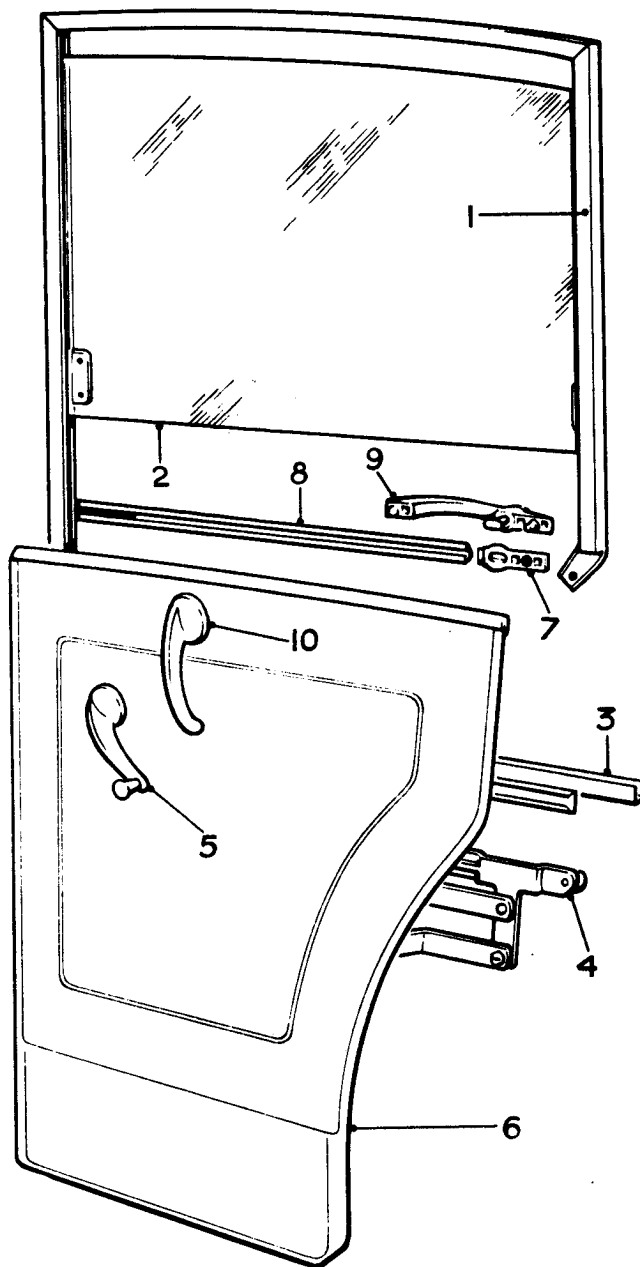


# SPARES schedule

SILVER CLOUD AND BENTLEY 'S' TYPE

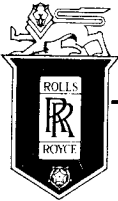


Ref.	Part No.	Description	No off
(1)	UB.2698	FRAME, TOP, ASSY., R.H.	1
	UB.2697	FRAME, TOP, ASSY., L.H.	1
	UB.2722	Seal, drop glass, top (Not with electric window lifts)	2
	UB.2319	Seal, silent channel, glass side	4
	CS.35082/Z	Rivet, seal	4
	UB.2816	Seal, top	1
	UB.2817	Cord, seal (With electric window lifts only)	1
(2)	U.B.2735	Glass, drop	2
	UB.2819	Glass, drop, "Sundym"	2
		Alt.	
	UB.2799	Glass, drop	2
	UB.2800	Glass, drop, "Sundym" (Alt. with electric window lifts only)	2
(3)	UB.1227	Channel, lower glass, Assy. R.H.	1
	UB.1226	Channel, lower glass, Assy. L.H.	1
(4)	U.B.1020	REGULATOR, ASSY., R.H.	1
	UB.1019	REGULATOR, ASSY., L.H.	1
(5)	UB.1012	Handle, regulator	2
	KB.1094	Washer, packing, handle (Not with electric window lifts)	2
	UW.1653	Panel, plastic, door panel	2
(6)	UW.1827S/A	PANEL, TRIM, ASSY. R.H.	1
	UB.2301	Clip, panel to door	17
	UB.2302	Fastener, clip	17
	UW.1828S/A	PANEL, TRIM, ASSY., L.H. As above except panel (Not with electric window lifts)	1
	UW.2006S/A	PANEL, TRIM, ASSY., R.H. Clip, panel to door	17
	UB.2301	Clip, panel to door	17
	UB.2302	Fastener, clip	17
	UW.2007S/A	PANEL, TRIM, ASSY., L.H. As above except panel (With electric window lifts only)	1
(7)	UB.2358	Moulding, R.H.	1
	UB.2359	Moulding, L.H.	2
(8)	UB.2469	Strip, moulding	2
	UB.1573	Clip, moulding strip to door	2
(9)	UB.2196	HANDLE, OUTSIDE, ASSY.	2
	UB.2383	Button and spring, assy.	2
	KC.172/Z	Screw, handle to door	2
	K.4006/Z	Nut, screw	2
	K.4404/Z	Washer, screw	4
	UB.1133	Grommet, handle	2
	KB.1092	Washer, packing, inside handle	2
(10)	RB.2418	Handle, door, inside	2
	UB.2461	Lock, private, R.H.	1
	UB.2460	Lock, private, L.H.	1
	UB.2356	Lock, private, R.H.	1
	UB.2355	Lock, private, L.H.	1
	UB.2349	Housing, weather shield	2
	UB.2352	Shield, weather	2
	UB.2354	Screw, shield to housing	2
	K.4450/Z	Washer, screw	2
	UB.2351	Spring, shield (Cars fitted with weather shields on private locks)	2
	UB.1888	Retainer, filter, drain holes, R.H.	1
	UB.1857	Retainer, filter, drain holes, L.H.	1
	UB.1858	Filter, drain holes	4
	KB.13870	Rivet, retainer to door (Export cars only)	4
(11)	UB.1678	Plate, striker, door switch, .192 in.	2
	UB.1679	Plate, striker, door switch, .252 in.	2
	UB.1680	Plate, striker, door switch, .128 in. (Alt)	2
	CS.31183/Z	Screw, striker plate to door	4
(12)	UB.1406	Buffer, door stop	2
	KB.13803	Rivet, buffer to door	4
	UB.2547	Grommet, blanking, conduit hole (Not with electric window lifts)	2



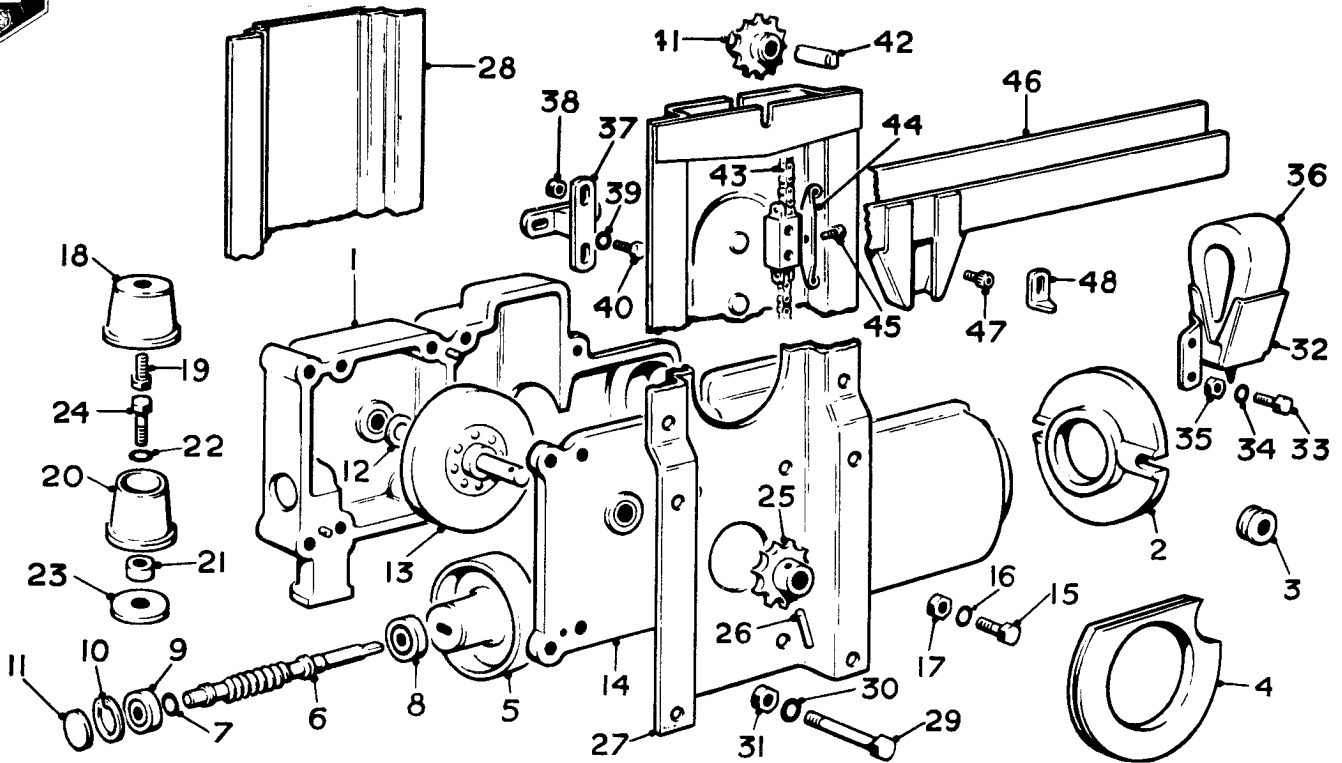
REAR DOORS.  
TRIM AND FITTINGS.

Silver Cloud L.W.B.—CLC.8-10, 12, 15 onwards  
Bentley "S" L.W.B.—ALB.26, 27, 30 onwards



# SPARES schedule

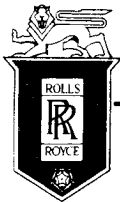
SILVER CLOUD AND BENTLEY 'S' TYPE



Ref.	Part No.	Description	No off	Ref.	Part No.	Description	No off
(1)	UB.2335	CASING ASSEMBLY	4	(28)	UB.2785	Extension, channel, support	2
	UB.2273	Bush, worm gear shaft	4			(Coachbuilt cars)	
(2)	UB.2147	Grommet, motor to casing	8	(29)	UA.114/Z	Bolt, channel and cover to casing	16
(3)	UB.2259	Grommet, cable, casing	4	(30)	UA.1251/Z	Washer, bolt	32
(4)	UB.2511	Grommet, switch insulation	2	(31)	UA.301/Z	Nut, bolt	16
		(Rear doors)		(32)	UB.2502	BRACKET, GLASS STOP, ASSY., R.H. FORWARD	2
(5)	UB.2237	COUPLING, FLEXIBLE, ASSY.	4	UB.2503	BRACKET, GLASS STOP, ASSY., R.H. REAR	2	
(6)	UB.2253	Shaft, worm	4	UB.2503	BRACKET, GLASS STOP, ASSY., L.H. FORWARD	2	
(7)	UB.2277	Washer, spacing, bearing, .055"	4	UB.2502	BRACKET, GLASS STOP, ASSY., L.H. REAR	2	
	UB.2278	" " " .058"	4	(33)	UA.102/Z	Bolt, glass stop to channel	16
	UB.2279	" " " .061"	As reqd.	(34)	UA.1251/Z	Washer, bolt	16
	UB.2280	" " " .064"		(25)	UA.301/Z	Nut, bolt	16
	UB.2281	" " " .067"		(36)	UB.2495	Stop, glass	8
	UB.2282	" " " .070"		(37)	UB.2498	Mounting, upper, channel to door	4
(8)	UB.2276	Bearing, ball, worm shaft drive end	4	(38)	K.4006/Z	Nut, mounting to channel	8
(9)	UB.2275	Bearing, ball, worm shaft, circlip end	4	(39)	K.4404/Z	Washer, adjusting, mounting to door, .025 As reqd.	
(10)	KB.14014	Circlip, retaining bearing	4	UA.6101/Z	Washer, adjusting, mounting to door, .080"		
(11)	UB.2258	Disc, expanding, casing	4	(40)	KC.178/Z	Screw, mounting to door	8
(12)	UB.2266	Washer, thrust, worm shaft, .038"	4	(41)	UB.2330	SPROCKET, UPPER, ASSY.	4
	UB.2267	" " " .041"	4	UB.2287	Bush	4	
	UB.2268	" " " .044"	As reqd.	UB.2257	Pin, bearing, upper sprocket	4	
	UB.2269	" " " .047"		(43)	UB.2636	CHAIN, ASSEMBLY	4
	UB.2270	" " " .050"		UB.2493	Link 90°	8	
	UB.2271	" " " .053"		UB.2637	Rivet	8	
	UB.2272	" " " .056"		UB.2492	Link, pick up	4	
(13)	UB.2329	SHAFT, WORM GEAR ASSY.	4	UB.2283	Chain, roller	4	
(14)	UB.2336	COVER, CASING ASSY.	4	(44)	UB.2734	Spring, chain	4
	UB.2273	Bush, worm gear shaft	4	(45)	KC.170/Z	Screw, spring to pick up link	4
(15)	KC.173/Z	Screw, cover to casing	12	(46)	UB.2509	CHANNEL, GLASS, ASSY.	4
(16)	K.4404/Z	Washer, screw	12	(47)	UB.2538	Screw, link to glass channel	8
(17)	K.4006/Z	Nut, screw	12	(48)	UB.2494	Angle, vertical check	2
(18)	UB.2286	Cap, mounting, casing support	8				
(18)	UA.152/Z	Bolt, cap to casing	8				
(20)	UB.2285	Mounting, rubber, casing to door	8				
(21)	UB.2284	Piece, distance, mounting	8				
(22)	UA.1252/Z	Washer, upper, mounting	8				
(23)	RG.3186	Washer, lower, mounting	8				
(24)	UA.155/Z	Bolt, mounting to door	8				
(25)	UB.2241	Sprocket, lower	4				
(26)	UB.2256	Rivet, sprocket to worm shaft	4				
(27)	UB.2248	Channel, support, chain mechanism	4				

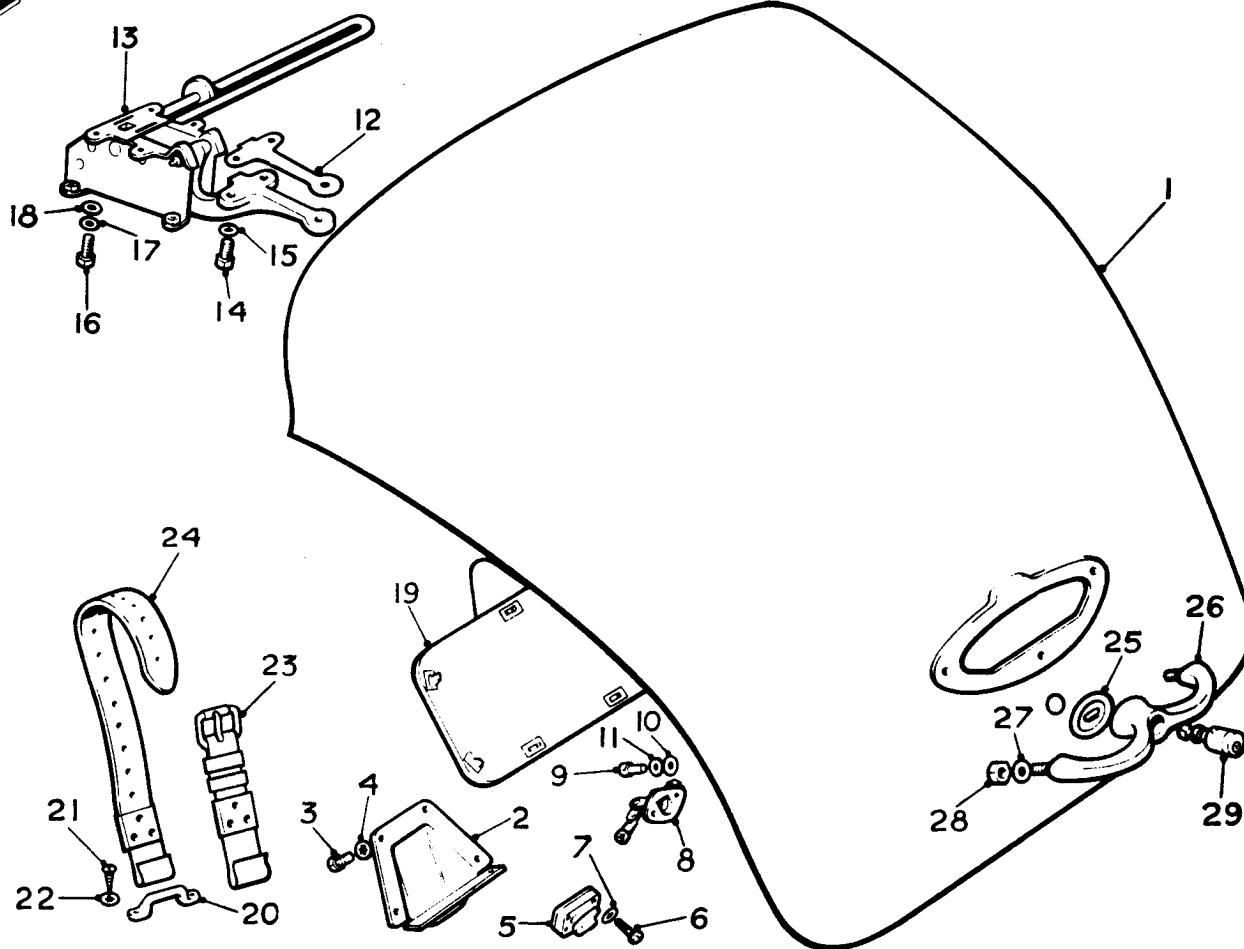
FRONT AND REAR DOORS.

SPECIAL PARTS—ELECTRIC WINDOW LIFTS.



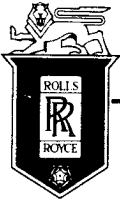
# SPARES schedule

SILVER CLOUD AND BENTLEY 'S' TYPE



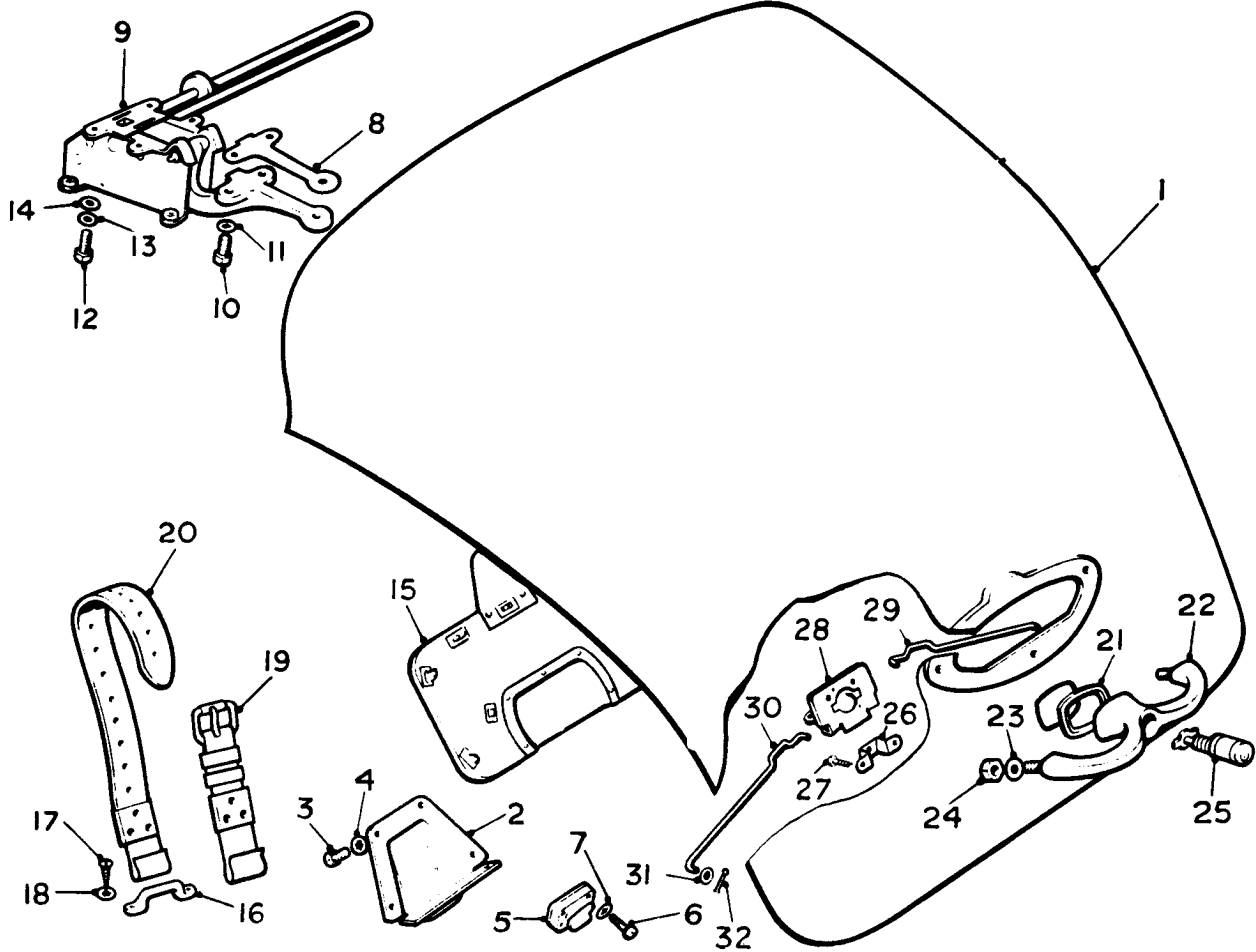
Ref.	Part No.	Description	No off	Ref.	Part No.	Description	No off
	373/085	DOOR, TRUNK, COMPLETE ASSEMBLY	1	(18)	CS.32068/Z	Washer, screw	8
(1)	473/118	DOOR, LESS FIXTURES AND FITTINGS	1	UW.12815/A	PANEL, TRIMMED, ASSY.		1
	373/194	Bracket, mounting lock, R.H.	1	UB.2301	Clip, fastener		24
(2)	373/195	Bracket, mounting lock, L.H.	1	UB.2302	Fastener		24
(3)	CS.30541/Z	Screw, bracket to door	12	(19)	UW.1811	PANEL, ASSY, REVERSE LIGHT ACCESS	1
(4)	CS.32056/Z	Washer, "Shakeproof," screw	12	UB.2301	Clip, fastener		7
	273/124	LOCK ASSEMBLY, R.H.	1	UB.2302	Fastener		7
(5)	273/125	LOCK ASSEMBLY, L.H.	1	UW.1810	Tab, lifting		1
(6)	CS.30545/Z	Screw, lock to mounting bracket	8	CS.35122/Z	Rivet, tab		2
(7)	CS.32056/7	Washer, "Shakeproof" screw	8	(20)	RB.5860	Staple, luggage strap	1
(8)	273/129	Mounting, cable levers	1	(21)	CS.30623/Z	Screw, staple to door	2
(9)	KC.102/Z	Screw, mounting to door	2	(22)	CS.32056/Z	Washer, Shakeproof, screw	2
(10)	K.4446/Z	Washer, screw	2	(23)	RB.6113	Strap, luggage, buckled	1
(11)	CS.32056/Z	Washer, Shakeproof, screw	2	(24)	RB.6114	Strap, luggage, plain	1
(12)	127/726	Shim, hinge to trunk door	2	(25)	UB.1745	Seal, door to handle	1
	273/100	Hinge, R.H.	1	(26)	UB.1014	HANDLE, ASSEMBLY	1
(13)	273/101	Hinge, L.H.	1	(27)	UA.1251/Z	Washer, handle to door	2
(14)	UA.4553/Z	Screw, hinge to door	6	(28)	UA.301/Z	Nut, handle	2
(15)	CS.32058/Z	Washer, Shakeproof, screw	6	(29)	UB.1015	Lock, handle	1
(16)	UA.4602/Z	Screw, hinge to body	6			(With keys prefixed BSM, BSL, CBM and CBL)	
	UA.4452/Z	Screw, hinge to body	2	UB.2457	Lock, handle		1
(17)	CS.32060/Z	Washer, Shakeproof, screw	8			(With keys prefixed BHM, BHL, RHM and RHL)	

TRUNK DOOR.



# SPARES schedule

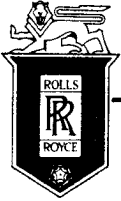
SILVER CLOUD AND BENTLEY 'S' TYPE



Ref.	Part No.	Description	No off	Ref.	Part No.	Description	No off
	373/363	<b>DOOR, TRUNK, COMPLETE ASSEMBLY</b>	1	(15)	UW.1833	<b>PANEL, ASSY., REVERSE LIGHT ACCESS</b>	1
(1)	473/149	<b>DOOR, LESS FIXTURES AND FITTINGS</b>	1	UB.2301	Clip, fastener	9	
	373/194	Bracket, lock mounting, R.H.	1	UB.2302	Fastener	9	
(2)	373/195	Bracket, lock mounting, L.H.	1	UW.181u	Tab, lifting	1	
(3)	CS.30541/Z	Screw, bracket to door	12	CS.35122/Z	Rivet, tab	2	
(4)	CS.32056/Z	Washer, Shakeproof, screw	12	(16)	RB.5860	Staple, luggage strap	1
	273/190	<b>LOCK ASSEMBLY, R.H.</b>	1	(17)	CS.30623/Z	Screw, staple to door	2
(5)	273/191	<b>LOCK ASSEMBLY, L.H.</b>	1	(18)	CS.32056/Z	Washer, screw	2
(6)	CS.30545/Z	Screw, lock to bracket	8	(19)	RB.6113	Strap, luggage, buckled	1
(7)	CS.32056/Z	Washer, Shakeproof, screw	8	(20)	RB.6114	Strap, luggage, plain	1
(8)	127/726	Shim, hinge to door	2	(21)	UB.2782	Seal, door of handle	1
	273/100	Hinge, R.H.	1	(22)	UB.2575	<b>HANDLE, ASSEMBLY</b>	1
(9)	273/101	Hinge, L.H.	1	(23)	UA.1251/Z	Washer, handle to door	2
(10)	UA.4553/Z	Screw, hinge to door	6	(24)	UA.301/Z	Nut, handle	2
(11)	CS.32058/Z	Washer, Shakeproof, screw	6	UB.1015	Lock, handle	1	
(12)	UA.4602/Z	Screw, hinge to body	6			(With keys prefixed BSM, BSL, CBM, and CBL)	
	UA.4452/Z	Screw, hinge to body	2	UB.2457	Lock, handle	1	
(13)	CS.32060/Z	Washer, Shakeproof, screw	8			(With keys prefixed BHM, BHL, RHM and RHL)	
(14)	CS.32068/Z	Washer, screw	8	(25)	UB.2556	Lock, handle	1
	UW.1281/S/A	<b>PANEL, TRIMMED, ASSEMBLY</b>	1	(26)	UB.2596	Bracket, guide, lock	1
	UB.2301	Clip, fastener	24	(27)	CS.30077/Z	Screw, bracket to handle	2
	UB.2302	Fastener	24	(28)	UB.2553	Plate back lock	1
				(29)	UB.2554	Rod, operating lock, R.H.	1
				(30)	UB.2555	Rod, operating lock, L.H.	1
				(31)	K.4446/Z	Washer, operating rods	4
				(32)	KB.6851	Pin, split, rods	4

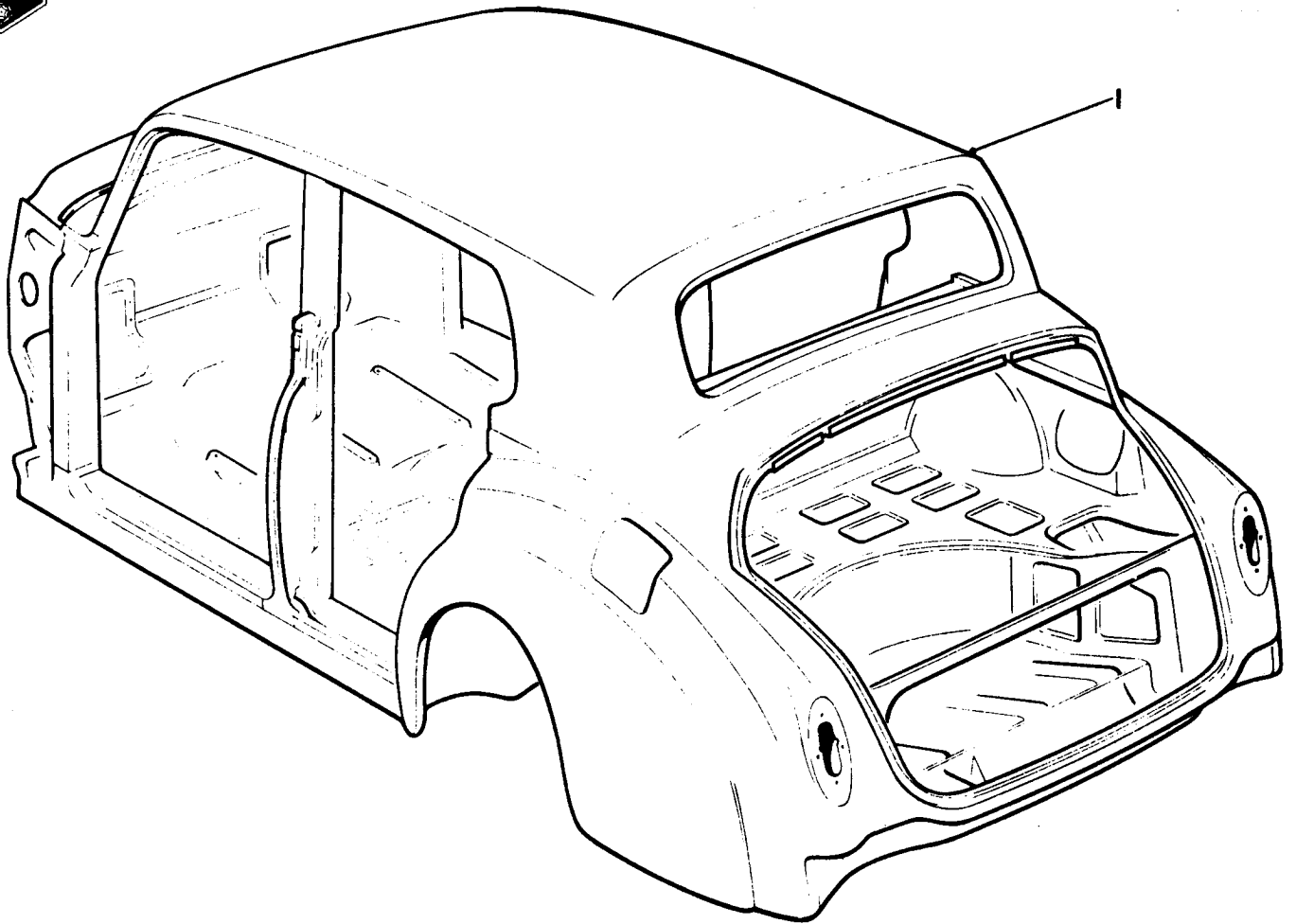
Silver Cloud ... S.J.F.174 onward.  
 Bentley "S" ... F.D.491, 495, 501, 507, 513,  
 517-559, 562-635, 639 onwards  
 Bentley "S" L.W.B. ... A.L.B.26 onwards

## TRUNK DOOR.



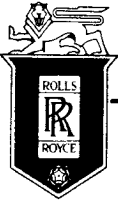
# SPARES schedule

SILVER CLOUD AND BENTLEY 'S' TYPE



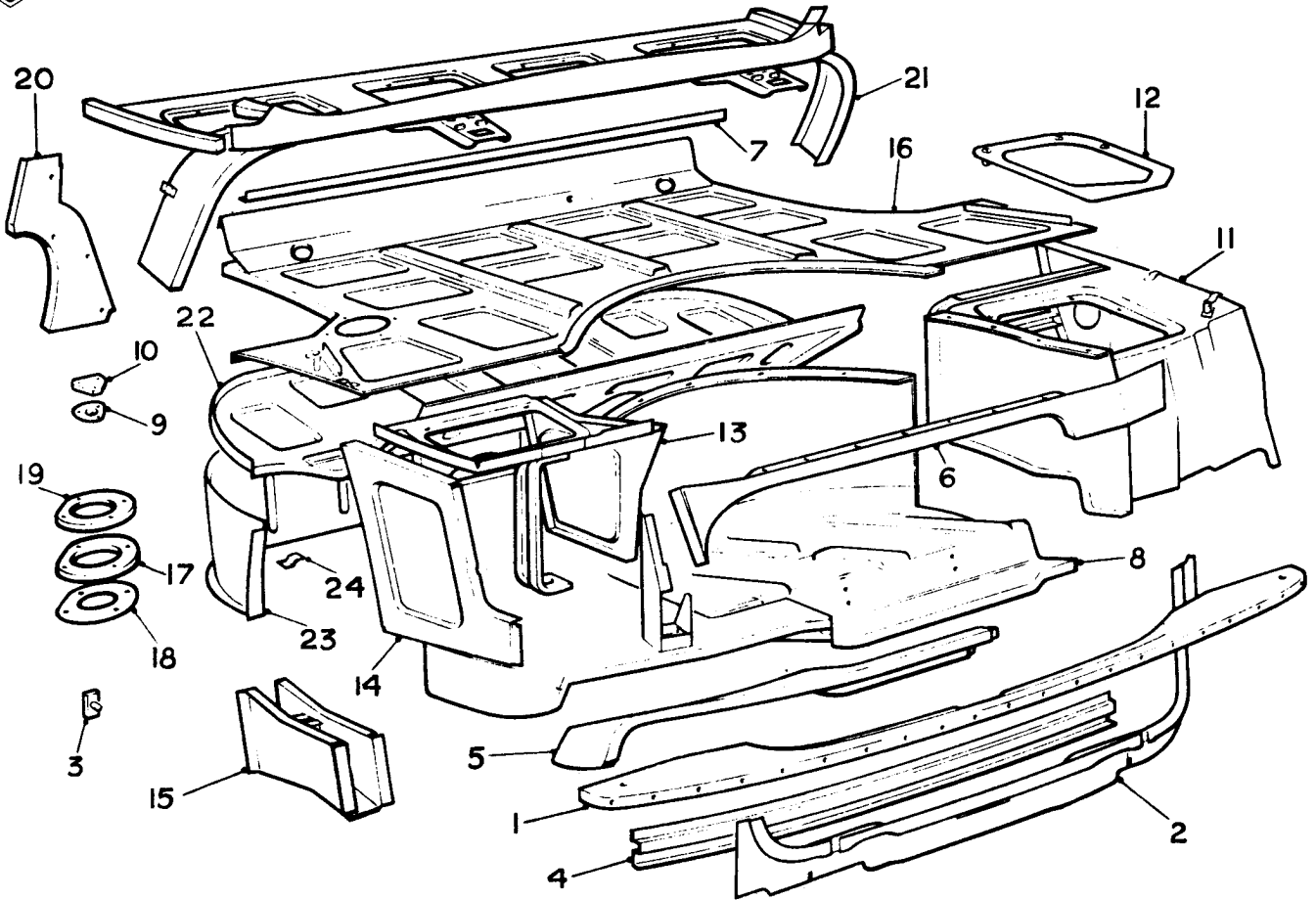
Ref. Part No.	Description	No off
(1) 373/900	BODY SHELL, COMPLETE, LESS DOORS	1 (Standard)
UB.1784	BODY SHELL, COMPLETE, LESS DOORS	1 (R.C. when undersill aerial is fitted)
UB.1791	BODY SHELL, COMPLETE, LESS DOORS	1 (L.C. when undersill aerial is fitted)
UB.2073	BODY SHELL, COMPLETE, LESS DOORS	1 (For Whitlock or Chrysler interior cooling)
UB.2411	BODY SHELL, COMPLETE, LESS DOORS	1 (For R.R. early type interior cooling)
UB.2654	BODY SHELL, COMPLETE, LESS DOORS	1 (For R.R. later type interior cooling)

**BODY SHELL.**



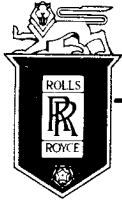
# SPARES schedule

SILVER CLOUD AND BENTLEY 'S' TYPE



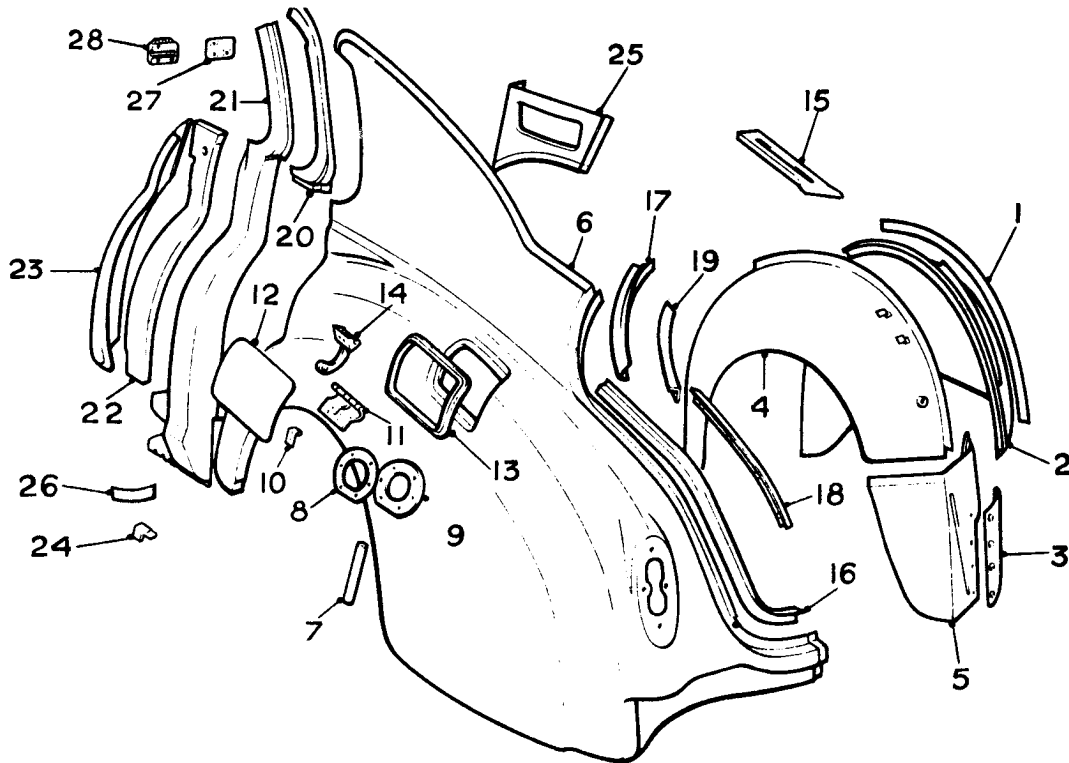
Ref.	Part No.	Description	No off	Ref.	Part No.	Description	No off
(1)	173/270	Panel, bumper fairing	1	(16)	373/316	FLOOR ASSY., LUGGAGE	1
	CS.30142/Z	Screw, panel to body	10		UB.2172	FLOOR ASSY., LUGGAGE	1
	K.4404/Z	Washer, screw	10			(Cars with Whitlock type interior cooling)	
	CS.30980/Z	Nut, screw	8		UB.1984	FLOOR ASSY., LUGGAGE	1
(2)	373/317	Panel, assembly, back lower	1			(Cars with Chrysler type interior cooling)	
(3)	UB.2893	Plate, striker, boot lock	2		UB.2413	FLOOR ASSY., LUGGAGE	1
	UA.3651/Z	Screw, striker plate	4			(Cars with early RR type interior cooling)	
(4)	173/002	Panel, rear lower	1		UB.2649	FLOOR ASSY., LUGGAGE	1
	173/492	Reinforcing, back panel, R.H.	1			(Cars with later type RR interior cooling)	
(5)	173/493	Reinforcing, back panel, L.H.	1		UD.3167	Seal, drain, luggage floor	4
(6)	173/289	Reinforcing, support boot floor	1		UB.2507	Angle support, trim panel, floor	1
(7)	173/466	Angle, support, trunk floor	1		CS.31040/Z	Screw, support angle	23
(8)	373/074	FLOOR, ASSY., SPARE WHEEL	1			(Cars with RR type interior cooling)	
(9)	UB.1716	Cup, drain, floor	5	(17)	UB.1036	Seal, felt, filler pipe, lower	1
(10)	UB.1717	Filter, drain cup	5	(18)	UB.1037	Seal, felt, filler pipe, upper	1
	UB.2633	Rivet, cup to floor	15	(19)	173/438	Retainer, felt seal	1
(11)	373/314	FLOOR, ASSY., LUGGAGE AND BATTERY, R.H.	1		CS.30582/Z	Screw, retainer to floor	4
(12)	373/209	Lid, battery box	1		K.4404/Z	Washer, screw	4
(13)	373/315	FLOOR, ASSY., LUGGAGE AND TOOLBOX, L.H.	1		173/120	Support, squab side, R.H.	1
(14)	173/286	Panel, side closing, floor, L.H.	1	(20)	173/121	Support, squab side, L.H.	1
(15)	373/259	BRACKET, ASSY., wheel arch to panel, L.H.	1			(Not L.W.B.)	
				(21)	373/101	PANEL ASSY., PARCEL SHELF	1
				(22)	473/126	PANEL ASSY., REAR SEAT	1
						(Not L.W.B.)	
				(23)	173/132	Panel heelboard	1
				(24)	173/597	Clip, wiring, heelboard panel	1

**BODY SHELL.  
REAR SECTION.**



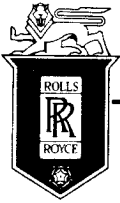
# SPARES schedule

SILVER CLOUD AND BENTLEY 'S' TYPE



Ref.	Part No.	Description	No off	Ref.	Part No.	Description	No off
(1)	173/267	Strip, sealing, wheel arch	2	(16)	173/272	Channel, seal, trunk opening, R.H.	1
	373/148	Panel, assy, wheel arch, inner, R.H.	1		173/273	Channel, seal, trunk opening, L.H.	1
(2)	373/149	Panel, assy., wheel arch, inner, L.H.	1		173/216	Channel, seal, trunk opening, top, R.H.	1
	373/262	Panel, assy., detachable, wheel arch extension, R.H.	1	(17)	173/217	Channel, seal, trunk opening, top, L.H.	1
(3)	373/263	Panel, assy., detachable, wheel arch extension, L.H.	1		373/244	Angle assy., trim, side lower, R.H.	1
	CS.30542/Z	Screw, panel to wheel arch	12	(18)	373/245	Angle assy., trim, side lower, L.H.	1
	K.4404/Z	Washer, screw	12		373/242	Angle assy., trim, side upper, R.H.	1
	373/152	Panel, assy. wheel arch, outer, R.H.	1	(19)	373/243	Angle assy., trim, side upper, L.H.	1
(4)	373/153	Panel, assy., wheel arch, outer, L.H.	1		173/102	Plate, closing, side header, "D" post, R.H.	1
	173/094	Panel, wheel arch extension, R.H.	1	(20)	173/103	Plate, closing, side header, "D" post, L.H.	1
(5)	173/095	Panel, wheel arch extension, L.H.	1		473/124	PANEL ASSY., "D" POST, R.H. with:	1
	373/102	WING AND TONNEAU ASSY., R.H.	1		173/554	Plate, reinforcing, sill, R.H.	1
(6)	473/123	WING AND TONNEAU ASSY., L.H.	1	(21)	473/125	PANEL ASSY., "D" POST, L.H. with:	1
		(Not L.W.B.)			173/555	Plate, reinforcing, sill, L.H.	1
(7)	UB.1723	Connection, drain tube, petrol filler box	1	(22)	173/118	Plate, closing, "D" post, R.H.	1
(8)	127/319	Plate, retainer, seal, filler pipe	1		173/119	Plate, closing, "D" post, L.H.	1
(9)	RB.2557	Seal, rubber, filler pipe	1		173/114	Panel, facing, "D" post, R.H.	1
	CS.30102/Z	Screw, retainer plate	6	(23)	173/115	Panel, facing, "D" post, L.H.	1
(10)	173/257	Plate, striker, petrol filler lid	1		173/312	Plate, filler, "D" post, R.H.	1
	CS.30141/Z	Screw, striker plate	2	(24)	173/313	Plate, filler, "D" post, L.H.	1
	CS.32032/Z	Washer, screw	2		173/122	Plate, closing, squab to "D" post, R.H.	1
(11)	373/200	HINGE ASSY., PETROL FILLER LID	1	(25)	173/123	Plate, closing, squab to "D" post, L.H.	1
	CS.30542/Z	Screw, hinge to lid	4	(26)	173/566	Plate, reinforcing, "D" post (Not L.W.B.)	1
	K.4404/Z	Washer, screw	4	(27)	UB.1847	Shim, striker plate, "D" post	2
(12)	473/119	Lid, petrol filler	1		UB.2634	Striker, door lock, "D" post, R.H.	1
(13)	UB.1288	Seal, petrol filler lid	1	(28)	UB.2635	Striker, door lock, "D" post, L.H.	1
(14)	273/130	Lift, petrol filler lid	1		UB.2638	Screw, socket, striker	6
	CS.30141/Z	Screw, lift to lid	2		UA.3655/SS	Screw, countersunk, striker (For all new striker plates)	6
	K.4404/Z	Washer, screw	2			(For replacement as required)	
	173/668	Stay, wing to wheel arch, R.H.	1				
(15)	173/669	Stay, wing to wheel arch, L.H.	1				

BODY SHELL. REAR SECTION. (Continued)

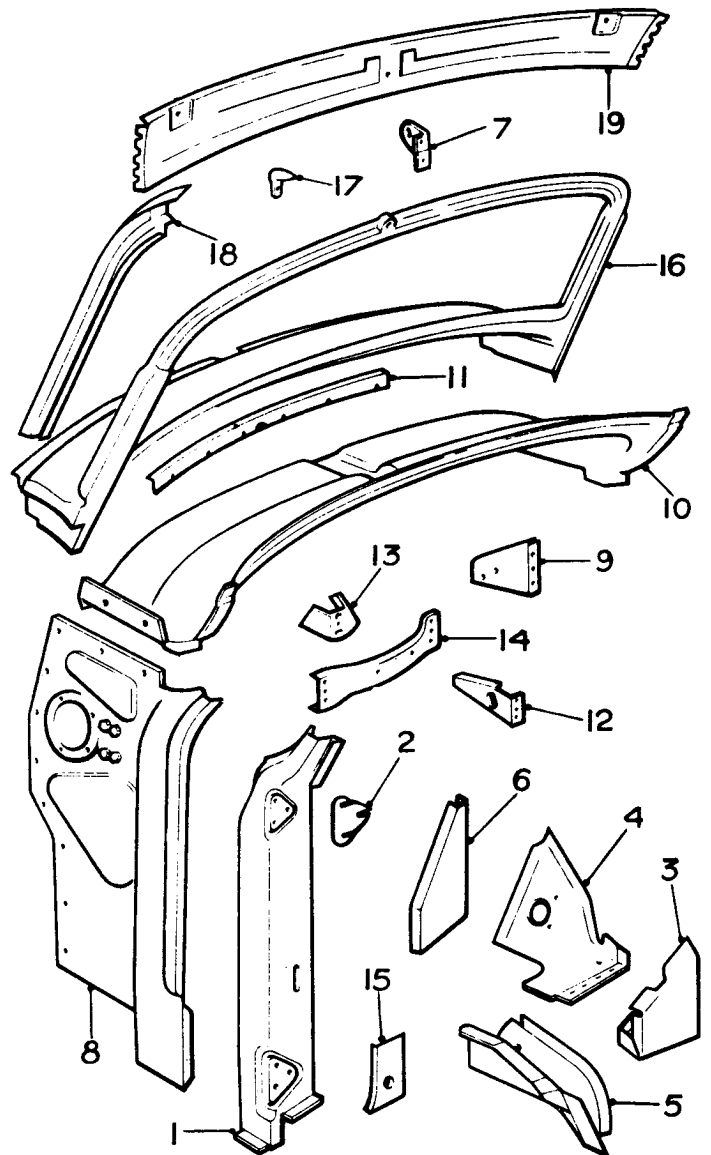


# SPARES schedule

SILVER CLOUD AND BENTLEY 'S' TYPE



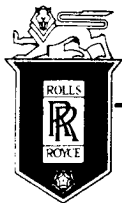
Ref.	Part No.	Description	No off
	373/106	POST ASSEMBLY, "A" R.H.	1
(1)	373/107	POST ASSEMBLY, "A" L.H.	1
(2)	173/734	Shim, hinge, upper	2
	UA.4552/Z	Screw, hinge to "A" post	6
	CS.30121/Z	Screw, check strip to "A" post	8
	173/562	Reinforcing, No. 1 body bracket, R.H.	1
(3)	173/563	Reinforcing, No. 1 body bracket, L.H.	1
	373/252	Panel, top closing, No. 1 mounting bracket, R.H.	1
(4)	373/252	Panel, top closing, No. 1 mounting bracket, L.H.	1
	173/560	Bracket, No. 1 body mounting, R.H.	1
(5)	173/561	Bracket, No. 1 body mounting, L.H.	1
	173/556	Panel, front closing, No. 1 mounting bracket, R.H.	1
(6)	173/557	Panel, front closing, No. 1 mounting bracket, L.H.	1
	173/382	Bracket, bonnet mounting, rear, R.H.	1
(7)	173/383	Bracket, bonnet mounting, rear, L.H.	1
	UA.102/Z	Screw, bonnet mounting bracket	4
	K.4407/Z	Washer, screw	4
	373/312	PANEL, ASSY., DASH SIDE, R.H.	1
(8)	373/313	PANEL, ASSY., DASH SIDE, L.H.	1
	173/598	Clip, wiring, dash side panel (Only when electric window lifts fitted)	6
	KB.254/Z	Stud, demister stiffening ring	8
	UR.2880	Plate, blanking, dash side panel	2
	CS.31020/Z	Screw, blanking plate	6
	UD.2436	Grommet, blanking plate, L.H.	1
	UD.1614	Grommet, blanking plate, R.H. (Only when electric window lifts fitted)	1
	173/306	Bracket, dash side to capping rail, R.H.	1
(9)	173/307	Bracket, dash side to capping rail, L.H.	1
	CS.30102/Z	Screw, bracket	4
	KB.3904/Z	Washer, plain, screw	4
	CS.32032/Z	Washer, lock, screw	4
(10)	373/309	PANEL, ASSY., DASH UPPER	1
	273/156	Retainer, windshield glazing, R.H.	1
(11)	273/157	Retainer, windshield glazing, L.H.	1
	CS.30141/Z	Screw, retainer to dash upper	4
	173/378	Bracket, support, inner capping rail, R.H.	1
(12)	173/379	Bracket, support, inner capping rail, L.H.	1
	UA.3950/Z	Screw, bracket to dash upper	4
	CS.32058/Z	Washer, Shakeproof, screw	4
	173/502	Bracket, side support, capping rail, R.H.	1
(13)	173/503	Bracket, side support, capping rail, L.H.	1
	173/506	Support, grab handle (L.C. cars)	1
(14)	173/507	Support, grab handle (R.C. cars)	1
	K.1804/Z	Screw, support to capping rail bracket	2
	K.4446/Z	Washer, screw	2
	K.4304/Z	Nut, screw	2
	173/724	Plate, reinforcing, "A" post, R.H.	1



Ref.	Part No.	Description	No off
(15)	173/725	Plate, reinforcing, "A" post, L.H.	1
(16)	373/096	PANEL ASSY., WINDSHIELD	1
(17)	UE.1747	Moulding, bonnet finisher, panel	1
	CS.30076/E	Screw, moulding to panel	2
	173/104	Panel, side header, windshield pillar, R.H.	1
(18)	173/105	Panel, side header, windshield pillar, L.H.	1
(19)	373/150	Reinforcing, windshield header	1

Silver Cloud ... SED. 1-351, 355-451  
SFE.1-51, 55-73, 77, 81, 121  
Bentley "S" ... EK.1-153, 157-161, 165-267, 271-277, 281-283, 287, 321, 323, 327, 337, 343, 351, 355, 365-369, 375, 377, 383, 385, 391, 395, 397, 405, 407, 433, 435, 439, 467, 469

BODY SHELL.  
FRONT SECTION.

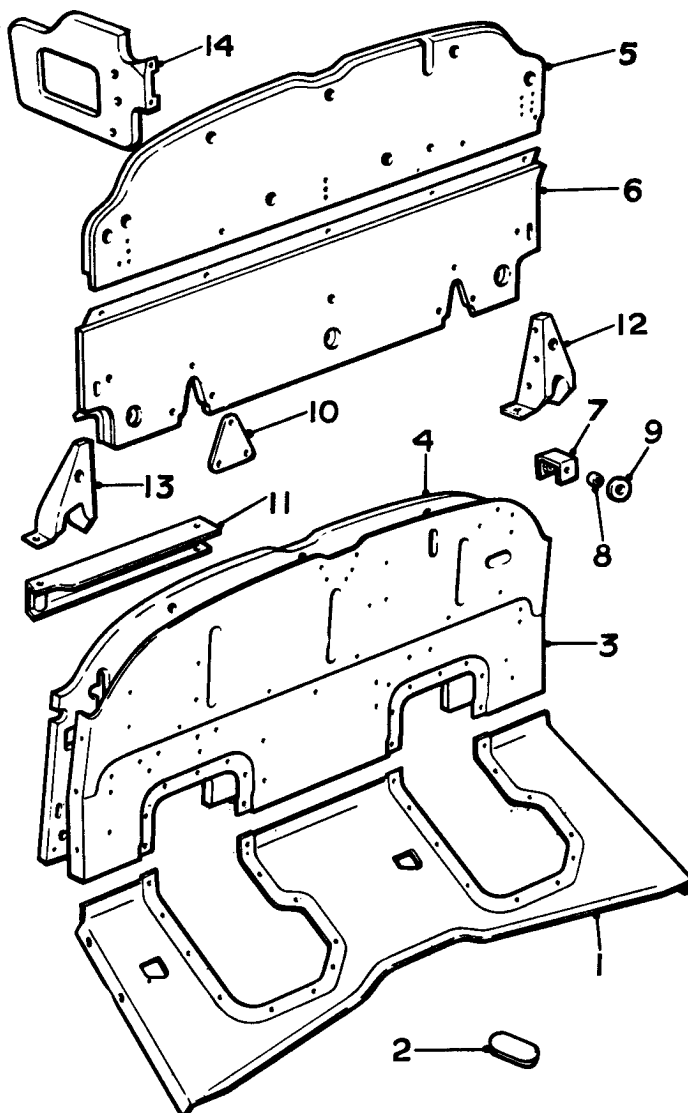


# SPARES schedule

SILVER CLOUD AND BENTLEY 'S' TYPE



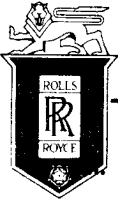
Ref.	Part No.	Description	No off
(1)	373/311	PANEL, ASSY., TOEBOARD	1
(2)	UR.1004	Plug, gearbox access	2
(3)	373/310	PANEL, ASSY., DASH CENTRE	1
	UR.3757	PANEL ASSY., DASH CENTRE (For cars with R.R. interior cooling)	1
(4)	UR.1019	Felt, dashboard centre	1
	UR.4305	Felt, dashboard centre (Not with electric window lifts)	1
	UR.2874	Felt, dashboard centre (With electric window lifts)	1
	UR.3981	Felt, dashboard centre (For cars with RR interior cooling)	1
(5)	UR.1016	DASH, ASSY., INNER, UPPER	1
	UR.2875	DASH, ASSY., INNER, UPPER (Not with electric window lifts)	1
	UR.3996	DASH, ASSY., INNER, UPPER (With electric window lifts)	1
(6)	UR.1017	DASH, ASSY., INNER, LOWER	1
	CS.30541/Z	Screw, upper, to lower dash	5
	K.4404/Z	Washer, screw	5
(7)	373/191	Bracket, dash inner to centre	10
(8)	UR.651	Bush, bracket	10
(9)	UR.652	Grommet, bracket to dash inner	10
	UR.653	Washer, bracket	10
	CS.30543/Z	Screw, bracket to dash inner	10
	CS.30541/Z	Screw, bracket to dash centre	10
(10)	173/364	Plate, patch, dash inner, lower	1
	KC.151/Z	Screw, patch plate	2
	K.4404/Z	Washer, screw	2
	K.4307/Z	Nut, screw	2
	373/256	CHANNEL, SUPPORT, DASH REINFORCING, R.H.	1
(11)	373/257	CHANNEL, SUPPORT, DASH REINFORCING, L.H. (R.C. cars)	1
	373/264	CHANNEL, SUPPORT, DASH REINFORCING, R.H. (L.C. cars)	1
	373/249	CHANNEL, SUPPORT, DASH REINFORCING, L.H. (L.C. cars)	1
	UA.218/Z	Bolt, support channel	2
	RB.3830	Washer, bolt	4
	RE.22428	Nut, bolt	2
(12)	173/578	Bracket, support, dash, R.H. (R.C.)	1
	UB.2054	Bracket, support, dash, R.H. (R.C.)	1
		(Cars with Whitlock or Chrysler interior cooling only)	
(13)	173/579	Bracket, support, dash, L.H. (R.C.)	1
	173/671	Bracket, support, dash, R.H. (L.C.)	1
	UB.2053	Bracket, support, dash, R.H. (L.C.)	1
		(Cars with Whitlock or Chrysler interior cooling only)	
	173/672	Bracket, support, dash, L.H. (L.C.)	1
	UA.216/Z	Bolt, support bracket to channel	1
	UA.216/Z	Bolt, bracket and column clamp to channel	1
	UA.216/Z	Bolt, column clamp to channel	2
	K.4413/Z	Washer, bolt	3
	RE.22428	Nut, bolt	3
	373/164	Plate, side, instrument comp. R.H.	1



Ref.	Part No.	Description	No off
(14)	373/165	Plate, side, instrument comp. L.H.	1
	UA.103/Z	Screw, side plate to bracket	6
	K.4407/Z	Washer, screw	6

Silver Cloud ... SED. 1-351, 355-451  
SFE.1-51, 55-73, 77, 81, 121  
Bentley "S" ... EK.1-153, 157-161, 165-267, 271-277, 281-283, 287, 321, 323, 327, 337, 343, 351, 355, 365-369, 375, 377, 383, 385, 391, 395, 397, 405, 407, 433, 435, 439, 467, 469

**BODY SHELL.**  
**FRONT SECTION.**  
(Continued)

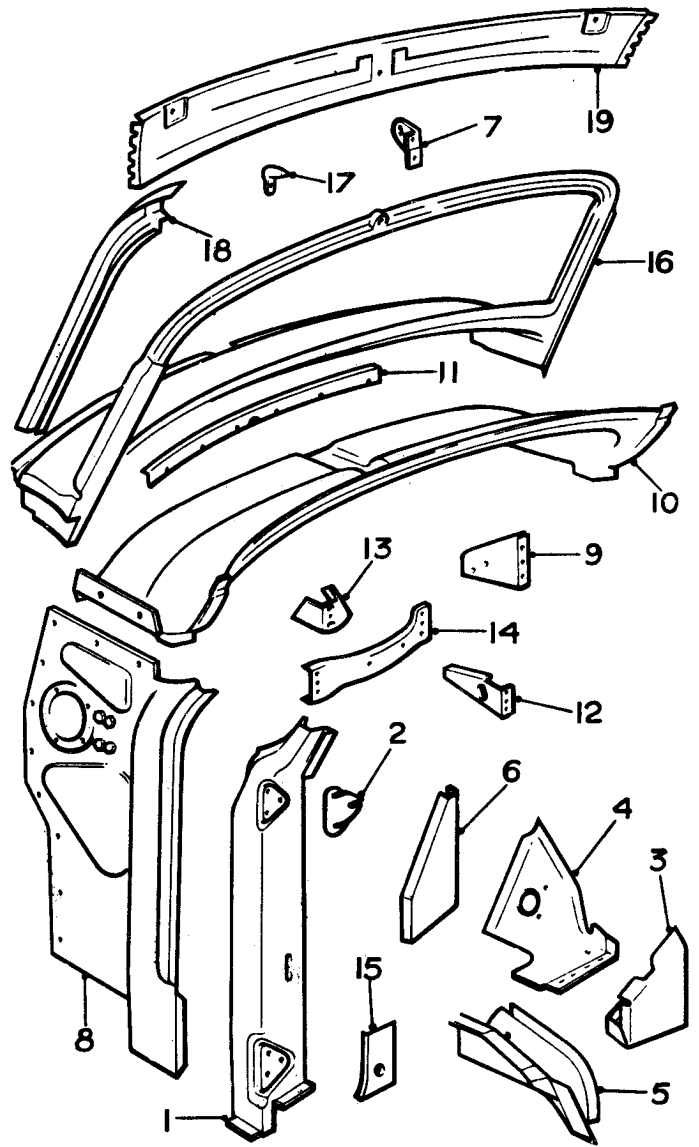


# SPARES schedule

SILVER CLOUD AND BENTLEY 'S' TYPE

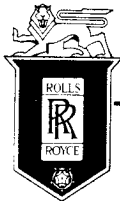


Part No.	Description	No off
373/106	POST ASSEMBLY, "A" R.H.	1
(1) 373/107	POST ASSEMBLY, "A" L.H.	1
(2) 173/734	Shim, hinge, upper	2
UA.4602/Z	Screw, hinge to "A" post	6
UA.102/Z	Screw, check strap to "A" post	8
CS.32058/Z	Washer, Shakeproof, screw	8
173/562	Reinforcing, No. 1 body bracket, R.H.	1
(3) 173/563	Reinforcing, No. 1 body bracket, L.H.	1
	(Not L.W.B. cars	
(4) 373/252	Panel, top closing, No. 1 mounting bracket, R.H.	1
373/253	Panel, top closing, No. 1 mounting bracket, L.H.	1
173/560	Bracket, No. 1 body mounting, R.H.	1
(5) 173/561	Bracket, No. 1 body mounting, L.H.	1
	(Not L.W.B. cars	
173/556	Panel, front closing, No. 1 mounting bracket, R.H.	1
(6) 173/557	Panel, front closing, No. 1 mounting bracket, L.H.	1
173/382	Bracket, bonnet mounting, rear, R.H.	1
(7) 173/383	Bracket, bonnet mounting, rear, L.H.	1
UA.102/Z	Screw, bonnet mounting bracket	4
K.4407/Z	Washer, screw	4
373/312	PANEL, ASSY., DASH SIDE, R.H.	1
(8) 373/313	PANEL, ASSY., DASH SIDE, L.H.	1
173/598	Clip, wiring, dash side panel	6
	(Only when electric window lifts fitted)	
KB.254/Z	Stud, demister stiffening ring	8
UR.2880	Plate, blanking, dash side panel	2
CS.31020/Z	Screw, blanking plate	6
UD.2436	Grommet, blanking plate, L.H.	1
UD.1614	Grommet, blanking plate, R.H.	1
	(Only when electric window lifts fitted)	
173/306	Bracket, dash side to capping rail, R.H.	1
(9) 173/307	Bracket, dash side to capping rail, L.H.	1
CS.30102/Z	Screw, bracket	4
KB.3904/Z	Washer, plain, screw	4
CS.32032/Z	Washer, lock, screw	4
(10) 373/309	PANEL, ASSY., DASH UPPER	1
273/156	Retainer, windshield glazing, R.H.	1
(11) 273/157	Retainer, windshield glazing, L.H.	1
	(Not L.W.B. cars	
UB.1698	Retainer, windshield, glazing, R.H.	1
UB.1697	Retainer, windshield, glazing, L.H.	1
	(L.W.B. cars	
CS.30141/Z	Screw, retainer to dash upper	4
173/378	Bracket, support, inner capping rail, R.H.	1
(12) 173/379	Bracket, support, inner capping rail, L.H.	1
UA.3950/Z	Screw, bracket to dash upper	4
CS.32058/Z	Washer, Shakeproof, screw	4
173/502	Bracket, side support, capping rail, R.H.	1
(13) 173/503	Bracket, side support, capping rail, L.H.	1
173/506	Support, grab handle	1
	(L.C. cars)	
Silver Cloud ...	SED-353, SFE-53, 75, 79, 83-119, 123 onwards	
Silver Cloud L.W.B. ...	ALC.15, 19, 24, 25, BLC.1, 4-6, 8 onwards	
Bentley "S" ...	EK.155, 163, 269, 279, 285, 289-319, 325, 329-335, 339, 341, 345-349, 353, 357-363, 371, 373, 379, 381, 387, 389, 393, 399-403, 409-431, 437, 441-465, 471 onwards	
Bentley "S" L.W.B. ...	ALB.9, 14 onwards	



Ref.	Part No.	Description	No off
(14)	173/507	Support, grab handle	1
		(R.C. cars)	
	K.1804/Z	Screw, support to capping rail bracket	2
	K.4446/Z	Washer, screw	2
	K.4304/Z	Nut, screw	2
	173/724	Plate, reinforcing, "A" post, R.H.	1
(15)	173/725	Plate, reinforcing, "A" post, L.H.	1
(16)	373/096	PANEL ASSY., WINDSHIELD	1
(17)	UJ.1747	Moulding, bonnet finisher, panel	1
	CS.30076/E	Screw, moulding to panel	2
	173/104	Panel, side header, windshield pillar, R.H.	1
(18)	173/105	Panel, side header, windshield pillar, L.H.	1
(19)	373/150	Reinforcing, windshield header	1

## BODY SHELL. FRONT SECTION.

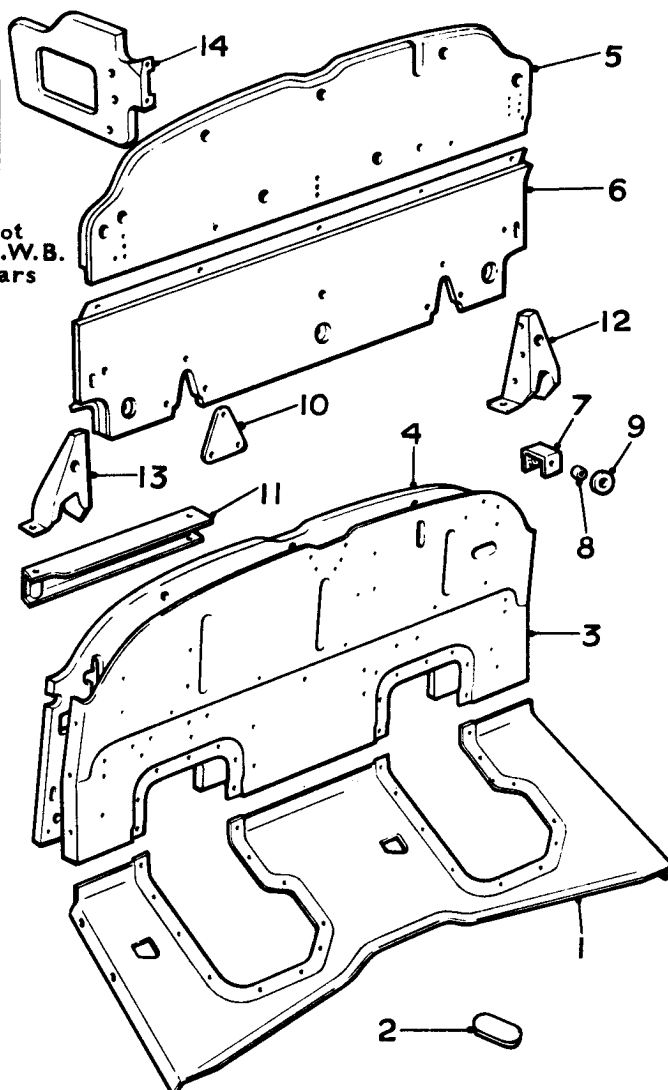


# SPARES schedule

SILVER CLOUD AND BENTLEY 'S' TYPE

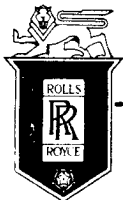


Ref.	Part No.	Description	No off
(1)	373/311	PANEL, ASSY., TOEBOARD	1
(2)	UR.1004	Plug, gearbox access	2
(3)	373/310	PANEL, ASSY., DASH CENTRE	1
	UD.2136	Grommet, blanking	1
	UR.3757	PANEL ASSY., DASH CENTRE (For cars with R.R. interior cooling)	1
(4)	UR.1019	Felt, dashboard centre	1
	UR.4305	Felt, dashboard centre (Not with electric window lifts)	1
	UR.2874	Felt, dashboard centre (With electric window lifts)	1
	UR.3981	Felt, dashboard centre (For cars with RR interior cooling)	1
(5)	UR.1016	DASH, ASSY., INNER, UPPER (Not with electric window lifts)	1
	UR.2875	DASH, ASSY., INNER, UPPER (With electric window lifts)	1
	UR.3996	DASH, ASSY., INNER, UPPER (For cars with RR interior cooling)	1
	UB.2551	PANEL, ASSY., DASH CENTRE	1
	UR.4281	Felt, dashboard centre	1
	UR.4321	DASH, ASSY., INNER, UPPER (L.W.B. cars Not with electric window lifts)	1
(6)	UR.1017	DASH, ASSY., INNER, LOWER	1
	CS.30541/Z	Screw, upper to lower dash	5
	K.4404/Z	Washer, screw	5
(7)	373/191	Bracket, dash inner to centre	10
(8)	UR.651	Bush, bracket	10
(9)	UR.652	Grommet, bracket to dash inner	10
	UR.653	Washer, bracket	10
	CS.30543/Z	Screw, bracket to dash inner	10
	CS.30541/Z	Screw, bracket to dash centre	10
(10)	173/364	Plate, patch, dash inner, lower	1
	KC.151/Z	Screw, patch plate	2
	K.4404/Z	Washer, screw	2
	K.4307/Z	Nut, screw	2
	373/256	CHANNEL, SUPPORT, DASH REINFORCING, R.H.	1
(11)	373/257	CHANNEL, SUPPORT, DASH REINFORCING, L.H. (R.C. cars)	1
	373/264	CHANNEL, SUPPORT, DASH REINFORCING, R.H.	1
	373/249	CHANNEL, SUPPORT, DASH REINFORCING, L.H. (L.C. cars)	1
	UA.218/Z	Bolt, support channel	2
	RB.3830	Washer, bolt	4
	RE.22428	Nut, bolt	2
(12)	173/578	Bracket, support, dash, R.H. (R.C.)	1
	UB.2054	Bracket, support, dash, R.H. (R.C.)	1
		(Cars with Whitlock or Chrysler interior cooling only)	
(13)	173/579	Bracket, support, dash, L.H. (R.C.)	1
	173/671	Bracket, support, dash, R.H. (L.C.)	1
	UB.2053	Bracket, support, dash, R.H. (L.C.)	1
		(Cars with Whitlock or Chrysler interior cooling only)	
	173/672	Bracket, support, dash, L.H. (L.C.)	1
	UA.216/Z	Bolt, support bracket to channel	1
	UA.216/Z	Bolt, bracket and column clamp to channel	1
Silver Cloud	...	SED-353, SFE-53, 75, 79, 83- 119, 123 onwards	
Silver Cloud L.W.B.	...	ALC.15, 19, 24, 25, BLC.1, 4-6, 8 onwards	
Bentley "S"	...	EK.155, 163, 269, 279, 285, 289-319, 325, 329-335, 339, 341, 345-349, 353, 357-363, 371, 373, 379, 381, 387, 389, 393, 399-403, 409-431, 437, 441-465, 471 on- wards	
Bentley "S" L.W.B.	...	ALB.9, 14 onwards	



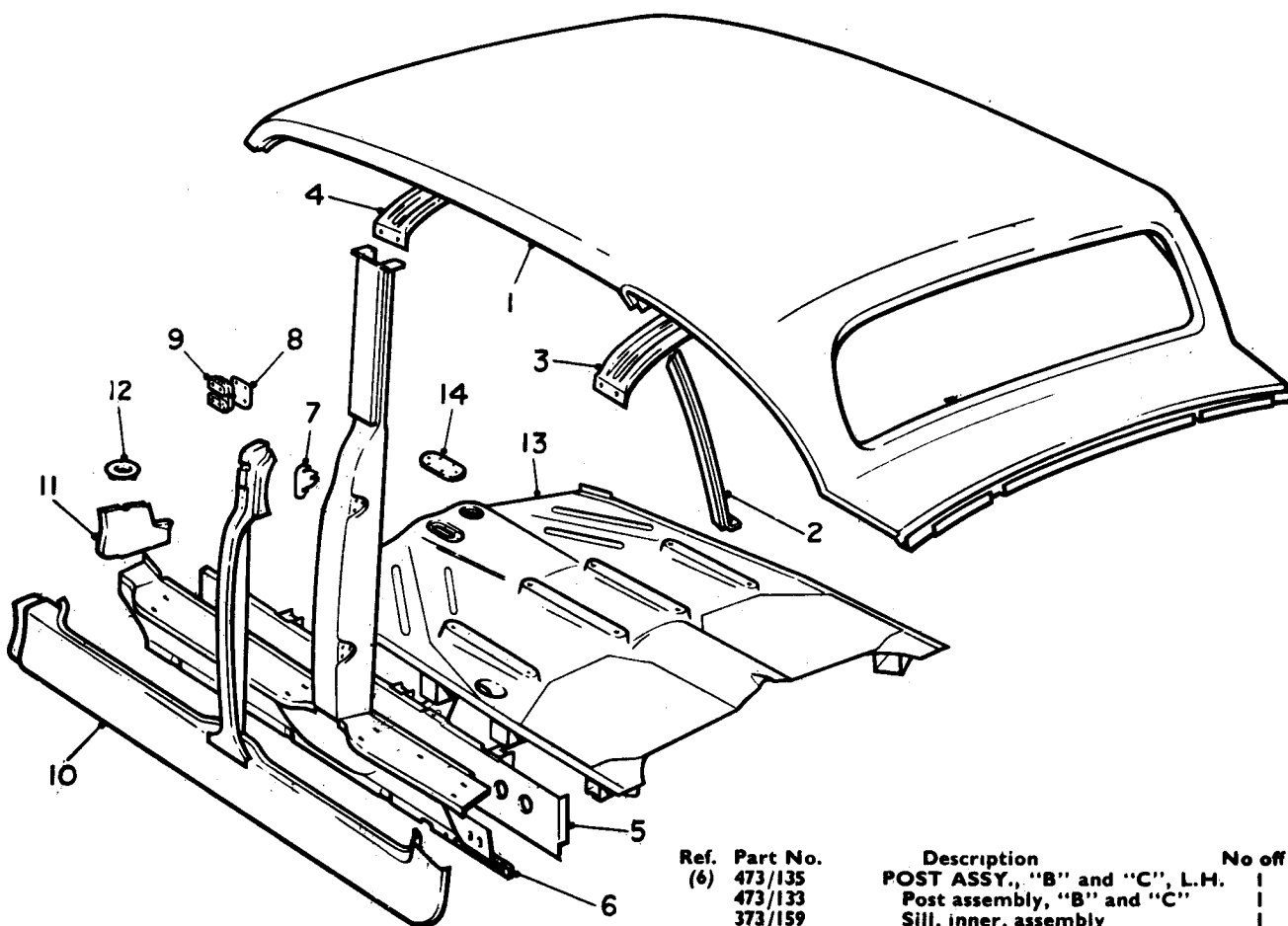
Ref.	Part No.	Description	No off
	UA.216/Z	Bolt, column clamp to channel	2
	K.4413/Z	Washer, bolt	3
	RE.22428	Nut, bolt	3
	373/164	Plate, side, instrument	comp. R.H. 1
(14)	373/165	Plate, side, instrument	comp. L.H. 1
	UA.103/Z	Screw, side plate to bracket	6
	K.4407/Z	Washer, screw	6

**BODY SHELL.**  
**FRONT SECTION.**  
(Continued)



# SPARES schedule

SILVER CLOUD AND BENTLEY 'S' TYPE

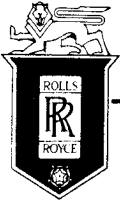


Ref.	Part No.	Description	No off
(1)	473/121	<b>PANEL, ROOF, ASSEMBLY</b>	1
	373/216	Rail, trim, rear quarter, R.H.	1
(2)	373/217	Rail, trim, rear quarter, L.H.	1
(3)	173/266	Bow, roof, rear	1
(4)	173/262	Bow, roof, "B" and "C" post	1
	UB.2504	Bow, roof, rear	1
	UB.2505	Bow, roof, "B" and "C" post	1
	UA.1501/Z	Screw, roof bow to roof	8
	UA.1251/Z	Washer, screw	8
	373/174	Plate, assembly, closing sill, R.H.	1
(5)	373/175	Plate, assembly, closing sill, L.H.	1
	473/134	<b>POST ASSY., "B" and "C" R.H.</b>	1
	473/132	Post assembly, "B" and "C"	1
	373/158	Sill, inner, assembly	1
	173/158	Bracket, filler, inner sill	1

Ref.	Part No.	Description	No off
(6)	473/135	<b>POST ASSY., "B" and "C", L.H.</b>	1
	473/133	Post assembly, "B" and "C"	1
	373/159	Sill, inner, assembly	1
	173/159	Bracket, filler, inner sill	1
(7)	173/735	Shim, hinge, upper	2
	UA.4552/Z	Screw, hinge, "B" and "C" post	12
	CS.30121/Z	Screw, check strap, "B" and "C" post	8
(8)	UB.1847	Shim, striker plate	2
	UB.2634	Striker, door lock, R.H.	1
(9)	UB.2635	Striker, door lock, L.H.	1
	UB.2638	Screw, socket, striker plate	6
		(For all new striker plates)	
	UA.3655/SS	Screw, countersunk, striker plate	6
		(For replacement as reqd.)	
	373/238	<b>PANEL ASSY., SILL OUTER, R.H.</b>	1
	373/144	Panel assembly, facing, "B" and "C" post	1
(10)	373/239	<b>PANEL, ASSY., SILL OUTER, L.H.</b>	1
	373/145	Panel assembly, facing, "B" and "C" post	1
	373/192	Baffle, sill front, outer, R.H.	1
(11)	373/193	Baffle, sill front, outer, L.H.	1
(12)	231/110	Cover, assembly, sill	8
(13)	373/056	Floor assembly, front	1
(14)	173/332	Plate, cover, gearbox access.	1
	CS.30542/Z	Screw, cover plate	6
	K.4404/Z	Washer, screw	6

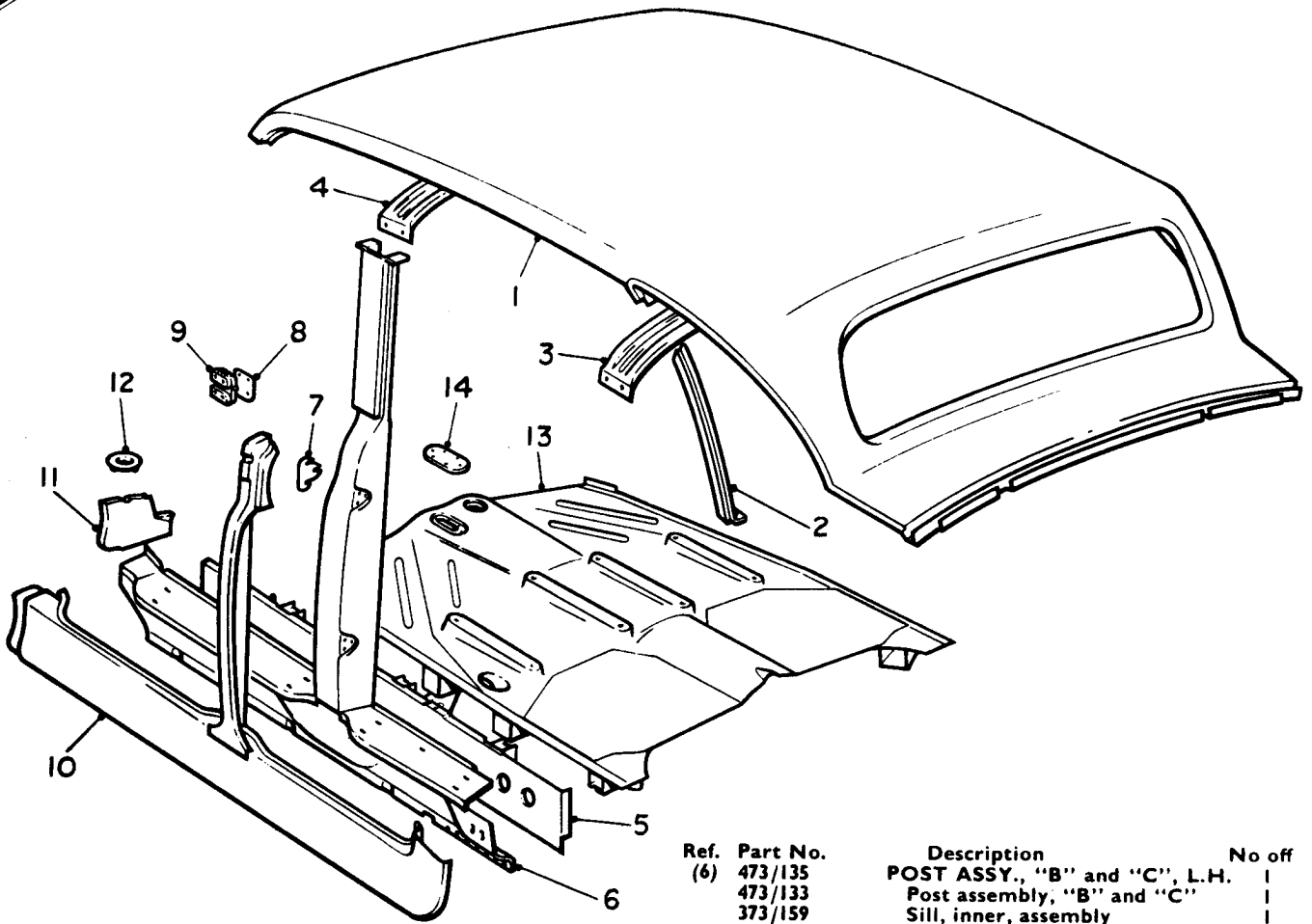
Silver Cloud	...	...	SED.1-351, 355-451, SFE.1-51 55-73, 77, 81, 121
Bentley "S"	...	...	EK.1-153, 157-161, 165-267, 271- 277, 281-283, 287, 321, 323, 327, 337, 343, 351, 355, 365-369, 375, 377, 383, 385, 391, 395, 397, 405, 407, 433, 435, 439, 467, 469.

## BODY SHELL. ROOF AND CENTRE SECTION.



# SPARES schedule

SILVER CLOUD AND BENTLEY 'S' TYPE

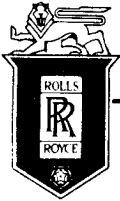


Ref.	Part No.	Description	No off
(1)	473/121	PANEL, ROOF, ASSEMBLY	1
	373/216	Rail, trim, rear quarter, R.H.	1
(2)	373/217	Rail, trim, rear quarter, L.H.	1
(3)	173/266	Bow, roof, rear	1
(4)	173/262	Bow, roof, "B" and "C" post	1
	UB.2504	Bow, roof, rear	1
	UB.2505	Bow, roof, "B" and "C" post	1
	UA.1501/Z	(Cars with R.R. type interior cooling)	
	UA.1251/Z	Screw, roof bow to roof	8
	373/174	Washer, screw	8
		Plate, assembly, closing sill, R.H	1
(5)	373/175	Plate, assembly, closing sill, L.H.	1
	473/134	POST ASSY., "B" and "C" R.H.	1
	473/132	Post assembly, "B" and "C"	1
	373/158	Sill, inner, assembly	1
	173/158	Bracket, filler, inner sill	1

Ref.	Part No.	Description	No off
(6)	473/135	POST ASSY., "B" and "C", L.H.	1
	473/133	Post assembly, "B" and "C"	1
	373/159	Sill, inner, assembly	1
	173/159	Bracket, filler, inner sill	1
(7)	173/735	Shim, hinge, upper	2
	UA.4602/Z	Screw, hinge, "B" and "C" post	12
	UA.102/Z	Screw, check strap, "B" and "C" post	8
	CS.32058/Z	Washer, Shakeproof, check strap	8
(8)	UB.1847	Shim, striker plate	2
	UB.2634	Striker, door lock, R.H.	1
(9)	UB.2635	Striker, door lock, L.H.	1
	UB.2638	Screw, socket, striker plate	6
		(For all new striker plates)	
	UA.3655/SS	Screw, countersunk, striker plate	6
		(For replacement as reqd.)	
	373/238	PANEL, ASSY., SILL OUTER, R.H.	1
	373/144	Panel assembly, facing, "B" and "C" post	1
(10)	373/239	PANEL, ASSY., SILL OUTER, L.H.	1
	373/145	Panel assembly, facing, "B" and "C" post	1
	373/192	Baffle, sill front, outer, R.H.	1
(11)	373/193	Baffle, sill front, outer, L.H.	1
(12)	231/110	Cover, assembly, sill	8
(13)	373/056	Floor assembly, front	1
(14)	173/332	Plate, cover, gearbox access.	1
	CS.30542/Z	Screw, cover plate	6
	K.4404/Z	Washer, screw	6

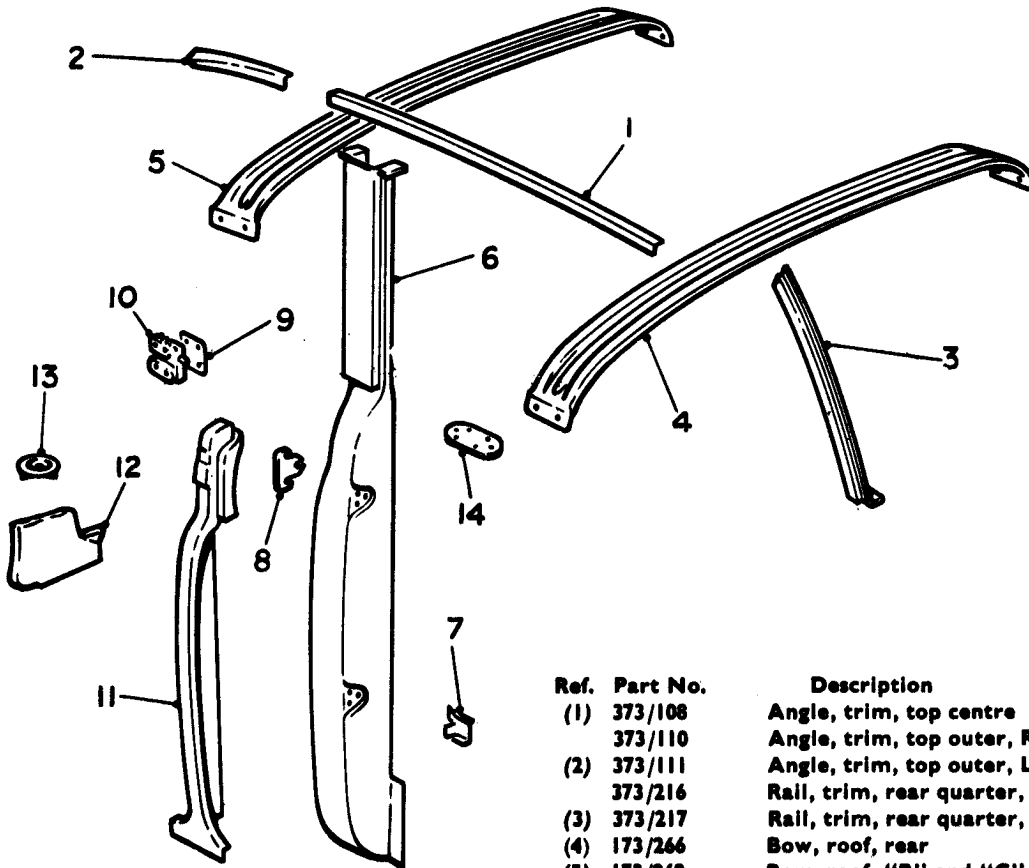
Silver Cloud ... SED-353. SFE-53, 75, 79, 83-119  
123 onwards  
EK.155, 163, 269, 279, 285, 289-319, 325, 329-335, 339, 341, 345-349, 353, 357-363, 371, 373, 379, 381, 387, 389, 393, 399-431, 437, 441-465, 471 onwards

## BODY SHELL. ROOF AND CENTRE SECTION.



# SPARES schedule

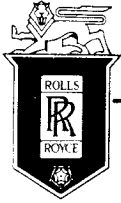
SILVER CLOUD AND BENTLEY 'S' TYPE



## BODY SHELL. ROOF AND CENTRE SECTION.

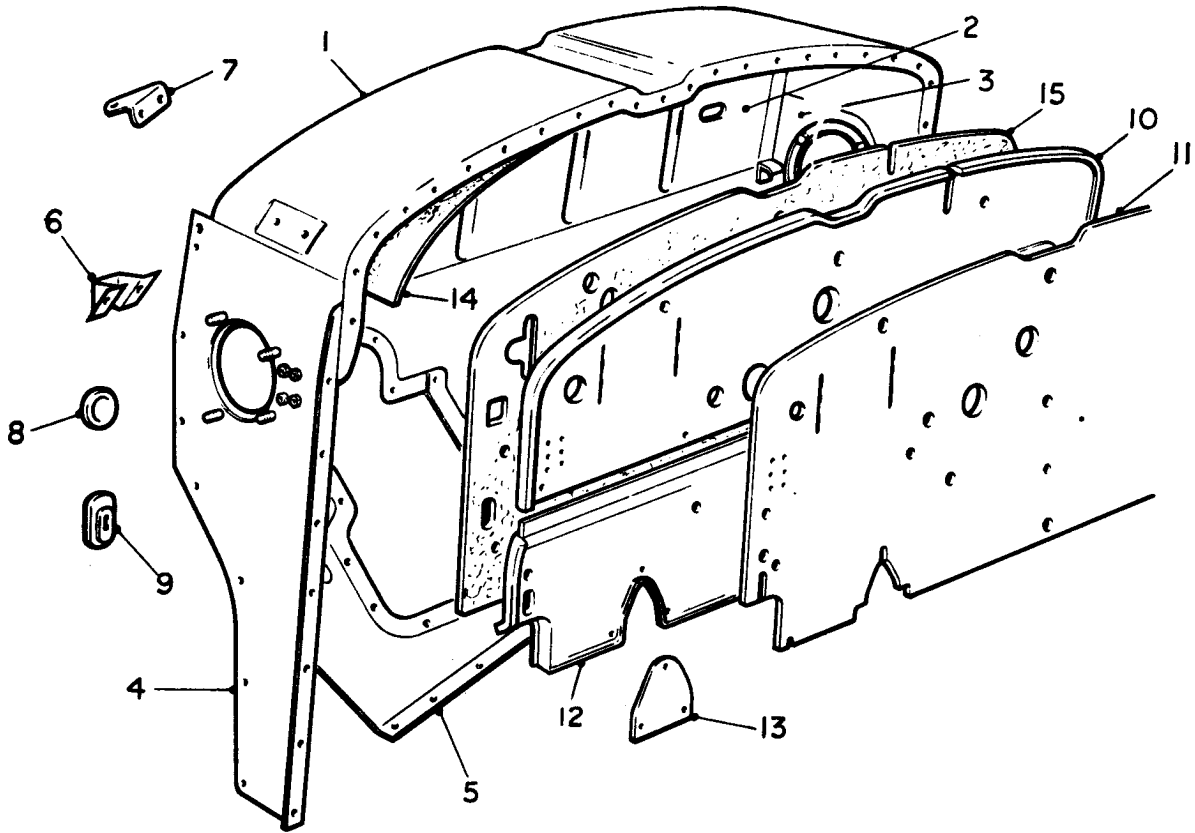
Ref.	Part No.	Description	No off
(1)	373/108	Angle, trim, top centre	1
	373/110	Angle, trim, top outer, R.H.	1
(2)	373/111	Angle, trim, top outer, L.H.	1
	373/216	Rail, trim, rear quarter, R.H.	1
(3)	373/217	Rail, trim, rear quarter, L.H.	1
(4)	173/266	Bow, roof, rear	1
(5)	173/262	Bow, roof, "B" and "C" post	1
	UA.1501/Z	Screw, roof bow to roof	8
	UA.1231/Z	Washer, screw	8
	473/132	Post assembly, "B" and "C" R.H.	1
	373/158	Sill, inner, assembly, R.H.	1
(6)	473/133	Post assembly, "B" and "C" L.H.	1
(7)	173/159	Bracket, filler, inner sill, L.H.	1
(8)	173/735	Shim, hinge, upper	2
	UA.4602/Z	Screw, hinge, "B" and "C" post	12
	UA.102/Z	Screw, check strap, "B" and "C" post	8
	CS.32058/Z	Washer, Shakeproof, check strap	8
(9)	UB.1847	Shim, striker plate	2
	UB.2634	Striker, door lock, R.H.	1
(10)	UB.2635	Striker, door lock, L.H.	1
	UB.2638	Screw, socket, striker plate	6
		(For all new striker plates)	
	UA.3655/SS	Screw, countersunk, striker plate	6
		(For replacement as reqd.)	
	373/144	Panel assembly, facing, "B" and "C" post R.H.	1
(11)	373/145	Panel assembly, facing "B" and "C" post, L.H.	1
	373/192	Baffle, sill front, outer, R.H.	1
(12)	373/193	Baffle, sill front, outer, L.H.	1
(13)	231/110	Cover, assembly, sill	8
(14)	173/332	Plate, cover, gearbox access.	1
	CS.30542/Z	Screw, cover plate	6
	K.4404/Z	Washer, screw	6

Silver Cloud L.W.B. ... ALC.1 onwards  
Bentley "S" L.W.B. ... ALB.1 onwards



# SPARES schedule

SILVER CLOUD AND BENTLEY 'S' TYPE

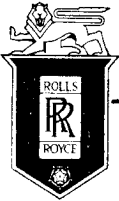


Ref.	Part No.	Description	No off	Ref.	Part No.	Description	No off
	UR.4334	DASHBOARD, ASSY., COMP.	1	(8)	UR.2225	Grommet, blind, tacho-drive hole	2
(1)	UR.2208	Panel, dash, top assembly	1	UD.2311	Grommet, blind, tachometer		1
(2)	UR.4306	Panel, dash, centre assembly	1	(9)	UR.2195	Grommet, bonnet operating rod	2
(3)	UR.2030	Panel, dash, side, R.H. assy.	1	(10)	UR.2107	PANEL, DASH, INNER, UPPER ASSY.	1
(4)	UR.2031	Panel, dash, side, L.H. assy.	1	UR.2162	Panel, felt, outer		1
(5)	UR.2183	Panel, dash, toeboard assy.	1	UR.3777	PANEL, DASH, INNER, UPPER ASSY.		1
	UR.4049	DASHBOARD, ASSY., COMP. (as above)	1	UR.4052	Panel, felt, outer		1
		(Cars with R.R. type interior cooling)			Cars with RR type interior cooling		1
(6)	UR.2146	Bracket, wing to dash	2	(11)	UR.2182	Panel, felt, inner dash, upper outer	1
	UA.2101/Z	Screw, bracket	4	UR.4053	Panel, felt, inner dash, upper outer		1
	UA.1251/Z	Washer, screw	4		(Cars with RR type interior cooling)		1
		Coachbuilt only		(12)	UR.2215	PANEL, DASH, INNER, LOWER ASSY.	1
	UA.2101/Z	Screw, bracket blanking ("Continental" only)	4	UR.2163	Panel, felt		1
	UR.2234	Bracket, support, bonnet rear, R.H.	1	(13)	UR.2044	Plate, patch, panel inner	1
	UR.2235	Bracket, support, bonnet rear, L.H.	1	(14)	UR.2255	Panel, felt, top panel, inner	1
		Coachbuilt only		(15)	UR.4282	Panel, felt, centre panel, inner	1
	UR.2056	Bracket, support, bonnet rear, R.H.	1				
(7)	UR.2057	Bracket, support, bonnet rear, L.H.	1				
		"Continental" only					
	UA.102/Z	Screw, bracket to dash	4				
	K.4407/Z	Washer, screw	4				

## BODY SHELL

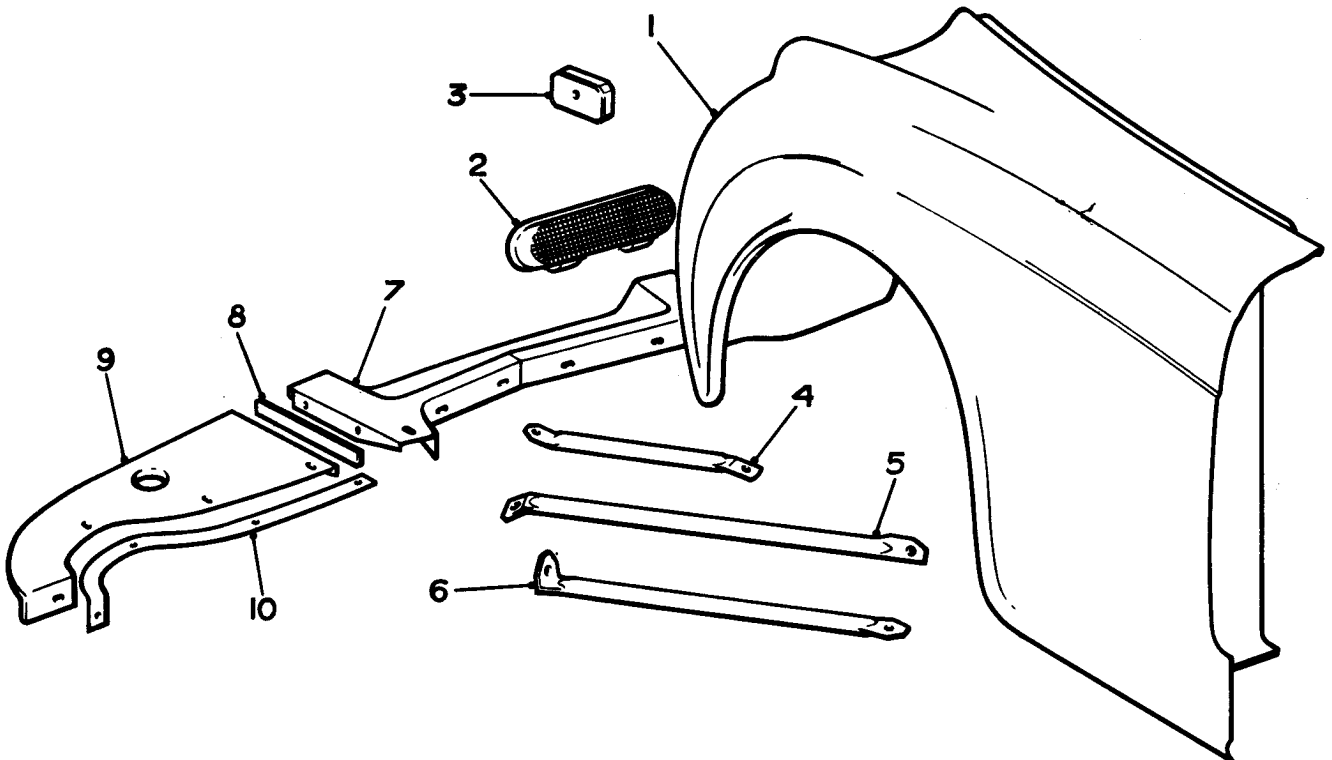
## SPECIAL PARTS

"CONTINENTAL" AND COACHBUILT



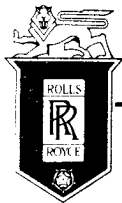
# SPARES schedule

SILVER CLOUD AND BENTLEY 'S' TYPE



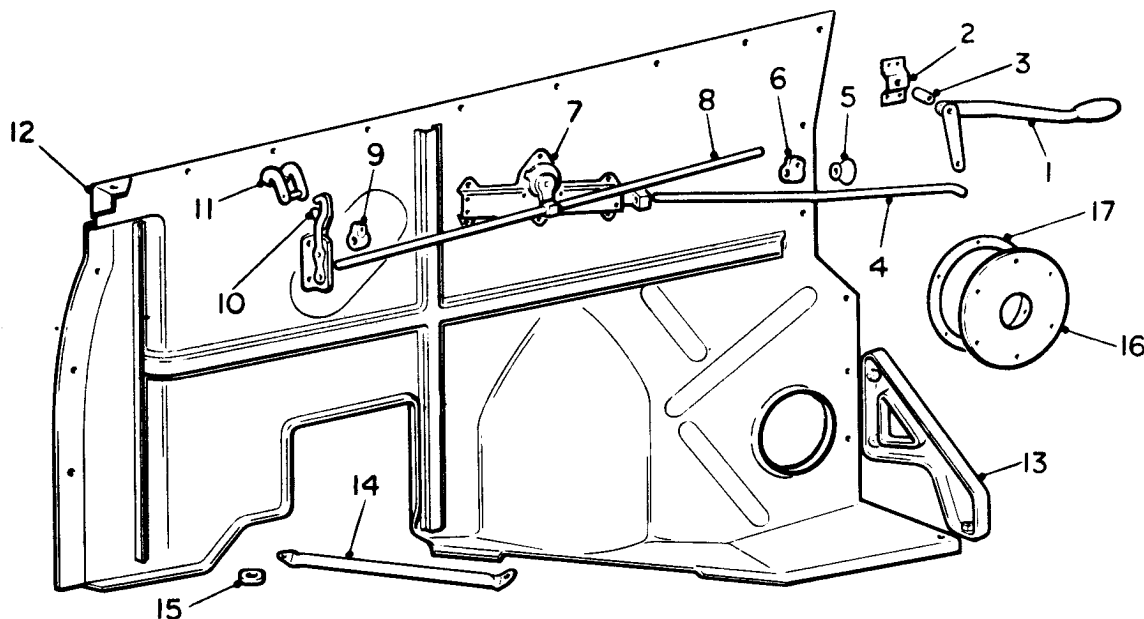
Ref.	Part No.	Description	No off	Ref.	Part No.	Description	No off
(1)	373/048	WING, FRONT, ASSY., R.H.	1	(5)	UB.1614	Stay, wing to No. 1 mounting bracket, upper L.H.	1
	373/049	WING, FRONT, ASSY., L.H.	1		UA.104/Z	Bolt, stay to bracket	2
		(Bentley)			UA.1251/Z	Washer, bolt	2
	373/226	WING, FRONT, ASSY., R.H.	1		UA.301/Z	Nut, bolt	2
	373/227	WING, FRONT, ASSY., L.H.	1		UA.102/Z	Bolt, stay to wing	4
		(Silver Cloud)			UA.1251/Z	Washer, bolt	8
	UD.4595	Mirror, Flat, R.H.	1		UA.301/Z	Nut, bolt	4
	UD.4596	Mirror, flat, L.H.	1	(6)	UB.1722	Stay, wing to valance plate	2
		(Canadian cars)		(7)	373/261	Panel, front bumper fairing, inner	1
	UD.4597	Mirror, concave, R.H.	1			(Bentley)	
	UD.4598	Mirror, concave, L.H.	1		UB.1049	Panel, front bumper fairing, inner	1
		(Customers' request)				(Silver Cloud)	
	UA.103/Z	Bolt, wing to dash	4		UA.1251/Z	Washer, panel to radiator shell	4
	KB.3905/Z	Washer, bolt	4		UA.301/Z	Nut, panel to radiator shell	4
		(For supply as individual parts only)			UA.102/Z	Bolt, panel to wing	2
	UA.152/Z	Bolt, wing to dash	4		UA.1251/Z	Washer, bolt	2
	UA.6103/Z	Washer, bolt	4		UA.301/Z	Nut, bolt	2
		(Supply with all new wings)		(8)	UB.1822	Strip, sealing, fairing panel, inner to outer	2
(2)	UB.1554	MOULDING, SNOW PACK, ASSEMBLY	2		CS.30141/Z	Screw, inner to outer fairing panel	4
	UB.1559	Spring, retaining	4		K.4404/Z	Washer, screw	8
	UB.1561	Seal, rubber, upper	2		CS.30980/Z	Nut, screw	4
	UB.1562	Seal, rubber, lower	2	(9)	173/264	Panel, bumper fairing outer, R.H.	1
(3)	UB.1597	Block, compression, wing tensioner	2		173/265	Panel, bumper fairing outer, L.H.	1
	UA.4404/Z	Screw, tensioner	2	(10)	UB.2014	Strip, sealing, outer panel to wing	2
	UA.351/Z	Nut, screw	2		UA.102/Z	Bolt, panel to wing	8
(4)	UB.1261	Stay, wing to No. 1 mounting bracket lower	2		UA.1251/Z	Washer, bolt	8
	UB.1616	Stay, wing to No. 1 mounting bracket, upper R.H.	1		KB.3905/Z	Washer, bolt, plain, heavy	2
					UA.301/Z	Nut, bolt	8

## WINGS-FRONT



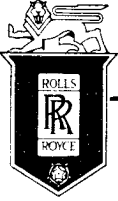
# SPARES schedule

SILVER CLOUD AND BENTLEY 'S' TYPE



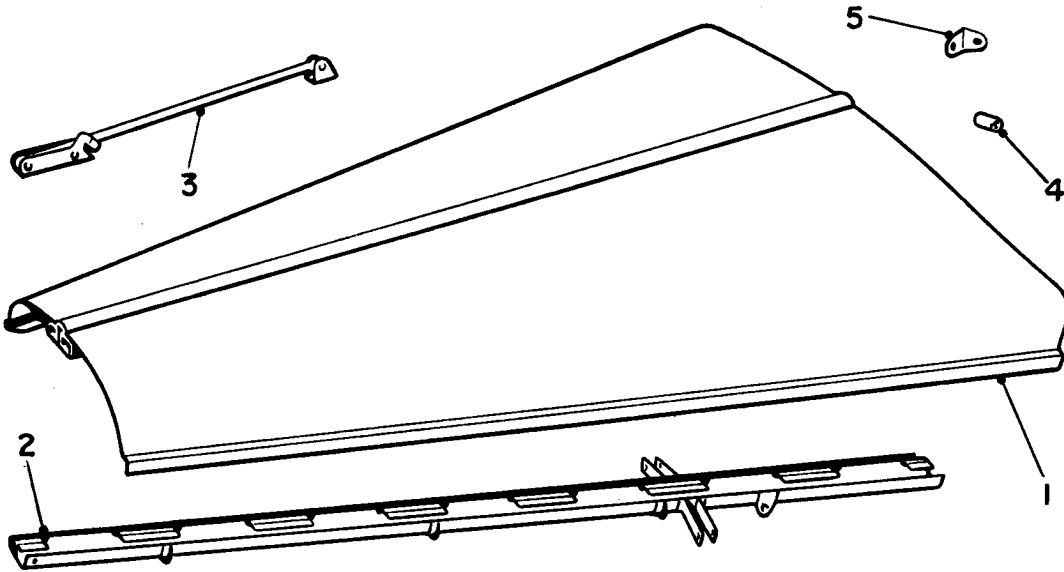
Ref.	Part No.	Description	No off	Ref.	Part No.	Description	No off
(1)	UE.1314	Lever, operating, bonnet fastener, R.H.	1	(12)	373/172	PLATE, VALANCE, ASSY., R.H.	1
	UE.1312	Lever, operating, bonnet fastener, L.H.	1		373/173	PLATE, VALANCE, ASSY., L.H.	1
						(Bentley Standard)	
(2)	UE.1736	Bracket, operating lever	2	UE.1728	PLATE, VALANCE, ASSY., R.H.	1	
	CS.30101/Z	Screw, bracket to dash	8	UE.1727	PLATE, VALANCE, ASSY., L.H.	1	
	UA.107/Z	Bolt, lever pivot	2			(Bentley Coachbuilt)	
	UA.1251/Z	Washer, bolt	2	UE.3278	PLATE, VALANCE, ASSY., R.H.	1	
(3)	UE.1215	Bush, operating lever	2	373/225	PLATE, VALANCE, ASSY., L.H.	1	
(4)	UE.1209	Rod, operating	2			(Silver Cloud Standard)	
	K.4601/Z	Pin, split, rod to lever	2	UE.1726	PLATE, VALANCE, ASSY., R.H.	1	
(5)	UE.1201	Seal, operating rod	2	UE.1725	PLATE, VALANCE, ASSY., L.H.	1	
	CS.6504/Z	Washer, seal	2			(Silver Cloud Coachbuilt)	
(6)	UE.1208	Clip, seal to rod	2	373/294	PLATE, VALANCE, ASSY., R.H.	1	
	K.1704/Z	Screw, clip	2	373/295	PLATE, VALANCE, ASSY., L.H.	1	
	UA.351/Z	Nut, rod to rack and pinion	4			(Continental only)	
(7)	UE.1202	RACK AND PINION, ASSY., R.H.	1	UA.103/Z	Bolt, valance plate to dash	14	
	UE.1196	Pinion, assembly	1	KB.3905/Z	Washer, bolt	14	
	UE.1297	Rack, assembly	1	UA.103/Z	Bolt, valance plate to wing	20	
	UE.1225	Bush, pinion	1	KB.3905/Z	Washer, bolt	20	
	UE.1231	Washer, pinion	1			(For individual supply for early cars)	
	UA.151/Z	Bolt, pinion pivot	1	UA.153/Z	Bolt, valance plate to dash	14	
	UA.352/Z	Nut, bolt	1	UA.6103/Z	Washer, bolt	14	
	UE.1230	RACK AND PINION, ASSY., L.H.	1	UA.153/Z	Bolt, valance plate to wing	20	
		As for R.H. except :-		UA.6103/Z	Washer, bolt	20	
	UE.1195	Pinion, assembly	1			(For new assemblies)	
	UE.1298	Rack, assembly	1	UE.3279	Bracket, stiffener, valance, R.H.	1	
	CS.30541/Z	Screw, rack and pinion to valance	12			(Silver Cloud)	
	K.4404/Z	Washer, screw	12	(13)	373/250	Bracket, stiffener, valance, R.H.	1
(8)	UE.1224	Rod, operating, fastener hook	2			(Bentley)	
(9)	UE.1285	Collar, rod	4	373/251	Bracket, stiffener, valance, L.H.	1	
	K.1704/Z	Screw, collar	4	UA.103/Z	Bolt, bracket to plate	2	
(10)	UE.1217	Fastener, hook, R.H.	2	KB.3905/Z	Washer, bolt	2	
	UE.1218	Fastener, hook, L.H.	2	UA.102/Z	Bolt, matrix to valance	2	
	UE.1681	Fastener, hook, R.H.	2	UA.103/Z	Bolt, matrix to valance	2	
	UE.1680	Fastener, hook, L.H.	2	UA.1251/Z	Washer, bolts	8	
		(Continental only)		UA.301/Z	Nut, bolt	4	
	CS.30541/Z	Screw, fastener to valance	8	(14)	UB.1399	Strut, wing to radiator, R.H.	1
	K.4404/Z	Washer, screw	8	UB.1398	Strut, wing to radiator, L.H.	1	
(11)	UE.1194	Bracket, fastener	4	(15)	UR.2199	Washer, packing, strut	3
	CS.30561/Z	Screw, bracket to bonnet	8	UA.1251/Z	Washer, strut	2	
	K.4404/Z	Washer, screw	8	UA.108/Z	Screw, strut	2	
	K.4006/Z	Nut, screw	8	(16)	UD.1431	Seal, heater duct	1
				(17)	UD.1432	Ring, trapping, seal	1
					CS.35081/Z	Rivet, ring to valance	6
						(Standard cars)	
				UE.1794	Plate, blanking	1	
				KB.13856	Rivet, blanking plate to valance	6	
						(Continental only)	

## VALANCE PLATES AND BONNET FASTENER



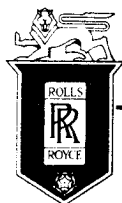
# SPARES schedule

SILVER CLOUD AND BENTLEY 'S' TYPE



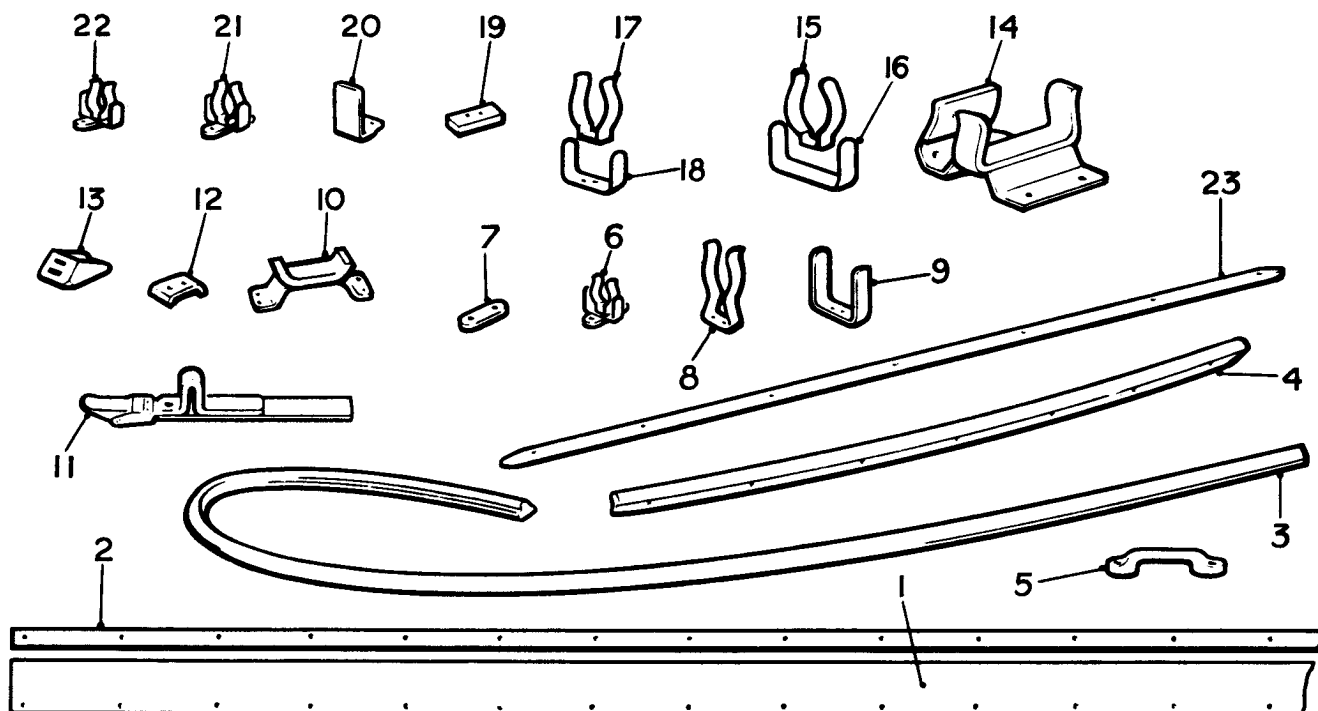
Ref.	Part No.	Description	No off	Ref.	Part No.	Description	No off
	UB.1265	Tape, bonnet rest, rear (Bentley only)	2		KB.13870	Rivet, trough to hinge	56
	UB.1890	Tape, bonnet rest, rear (Silver Cloud only)	2		373/229	Stay, bonnet	2
(1)	KB.13870	Rivet, bonnet tape	4		CS.30561/Z	Screw, stay to bonnet	4
	373/014	BONNET, COMPLETE ASSY. (Bentley only)	1		273/150	Block, tapping	2
	473/140	Panel, bonnet, R.H.	1		273/149	Tube, distance	2
	173/014	Panel	1		CS.30547/Z	Screw, stay to trough	2
	173/384	Strip, flange protection	1		K.4404/Z	Washer, screw	2
	273/117	Hinge	1		K.4006/Z	Nut, screw	2
	KB.1861	Rivet	27		273/151	Spring, bonnet stay	2
	473/141	Panel, bonnet, L.H.	1		373/296	Trough, bonnet hinge	1
		As above except :—			273/117	Hinge, bonnet	2
	173/015	Panel	1		173/384	Strip, flange protection	2
(2)	373/160	Trough, hinge assembly	1		KB.13853	Rivet, hinge to trough	56
	KB.13870	Rivet, trough to hinge	54		RB.1861	Rivet, hinge to bonnet	56
(3)	373/229	Stay, bonnet	2		373/229	Stay, bonnet	2
	CS.30561/Z	Screw, stay to bonnet	4	(4)	CS.3054/Z	Screw, stay to trough	2
	273/150	Block, tapping	2		273/149	Tube, distance	2
	273/149	Tube, distance	2		K.4404/Z	Washer, screw	2
	CS.30547/Z	Screw, stay to trough	2		K.4006/Z	Nut, screw	2
	K.4404/Z	Washer, screw	2		273/151	Spring, bonnet stay	2
	K.4006/Z	Nut, screw	2		273/150	Block, tapping	2
	273/151	Spring, bonnet stay	2		CS.30561/Z	Screw, stay to bonnet	4
	UE.1354	BONNET COMPLETE ASSY. (Silver Cloud only)	1			(Continental only)	
	RH.216	Panel, bonnet, R.H.	1		273/119	Moulding, bonnet centre	1
	UE.1342	Panel	1			(Bentley)	
	173/510	Strip, flange protection	1		273/145	Moulding, bonnet centre (Silver Cloud)	1
	273/144	Hinge	1		UR.102/Z	Bolt, trough to rear bracket	2
	KB.1861	Rivet	28		UA.6102/Z	Washer, bolt	2
	RH.217	Panel, bonnet, L.H.	1	(5)	UA.351/Z	Nut, bolt	2
		As for R.H., except :—			173/352	Bracket, bonnet mount, front, R.H.	1
	UE.1343	Panel	1		173/353	Bracket, bonnet mount, front, L.H.	1
	373/220	Trough, bonnet hinge	1		UA.102/Z	Screw, bracket to trough	2
					K.4404/Z	Washer, screw	2

## BONNET



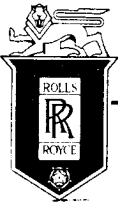
# SPARES schedule

SILVER CLOUD AND BENTLEY 'S' TYPE



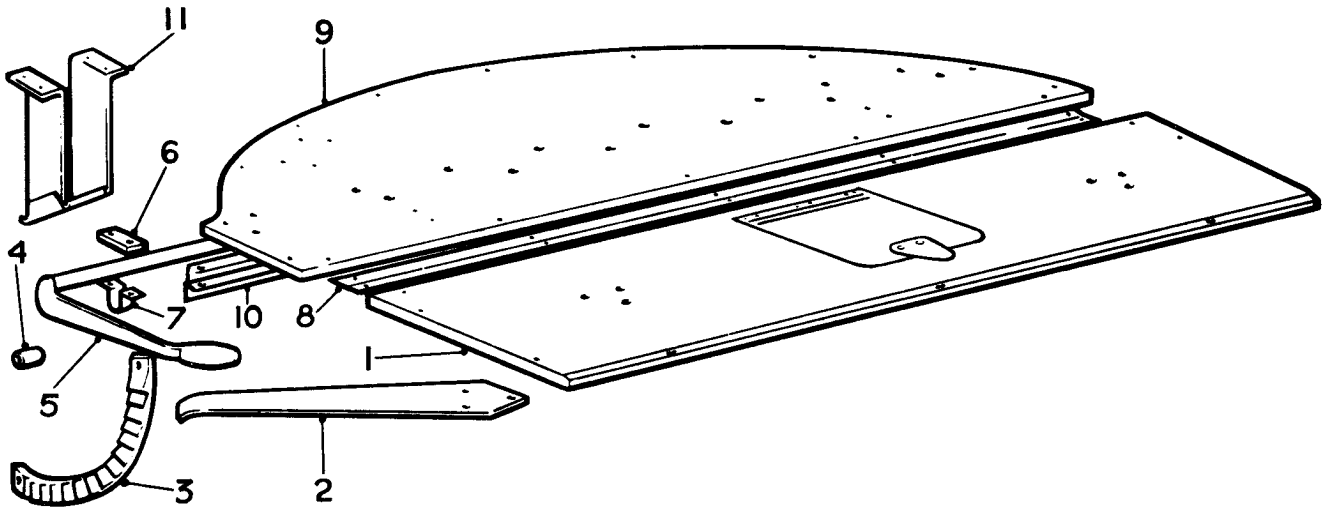
Ref.	Part No.	Description	No off	Ref.	Part No.	Description	No off
(1)	UB.1161	Deflector, stone, bumper fairing	1	(15)	UB.2027	Clip, inspection lamp, upper	1
(2)	UB.1566	Strip, deflector	1	(16)	UB.2026	Limiter, stress, clip	1
	UB.2633	Rivet, deflector to fairing	21		UB.1223	Screw, clip	2
(3)	UB.1289	Seal, rubber, trunk door	3		K.9003/Z	Washer, screw	2
(4)	UB.1008	Strip, rubbing, spare wheel	1		K.4301/Z	Nut, clip	2
	CS.30561/Z	Screw, rubbing strip to body	7	(17)	RF.6473	Clip, inspection lamp, lower	1
	K.4404/Z	Washer, screw	7	(18)	RF.9406	Limiter, stress, clip	1
	CS.30981/Z	Nut, screw	7	(19)	UB.1211	Piece, packing, clip	1
(5)	RB.5860	Staple, luggage strap	1	(20)	UB.1212	Bracket, stop, clip	1
	CS.30622/E	Screw, staple	2		UB.1210	Screw, clip	2
	CS.32056/E	Washer, "Shakeproof" screw	2		K.9003/Z	Washer, screw	2
(6)	UB.1130	Clip, wheelbrace	2		K.4301/Z	Nut, screw	2
(7)	RB.5875	Packing piece, clip	2	(21)	RB.5949	Clip, band adjusting tool	1
	CS.30563/Z	Screw, clip	4		CS.30562/Z	Screw, clip	2
(6)	UB.1130	Clip, tommy bar	2		K.4404/Z	Washer, screw	2
	CS.30562/Z	Screw, clip	4		K.4006/Z	Nut, screw	2
(8)	RB.3752	Clip, tyre pump	2			(Export cars only)	
(9)	UB.1230	Plate, carrier, clip	2	(22)	RB.5950	Clip, grease gun	2
	K.1807/Z	Screw, clip	4		CS.30562/Z	Screw, clip	4
	K.9005/Z	Washer, screw	4		K.4404/Z	Washer, screw	4
(10)	UB.1113	Rest, jack head, assembly	1		K.4006/Z	Nut, screw	4
	UB.1116	Felt, rest	1			(Cars fitted with interior cooling in isolated countries)	
	CS.30542/Z	Screw, head rest	4	(23)	UB.1400	Finisher, luggage floor, rear	1
(11)	UB.1119	Strap, jack	1		CS.31182/SS	Screw, finisher to body	7
(12)	UB.1129	Plate, securing strap	1				
	CS.30542/Z	Screw, strap to floor	2				
(13)	UB.1128	Bracket, securing strap	1				
	CS.30542/Z	Screw, bracket	2				
(14)	UB.1110	Rest, jack foot, assembly	1				
	UB.1117	Felt, lower half	1				
	UB.1118	Felt, upper half	1				
	CS.30542/Z	Screw, foot rest	4				

## BODY TRIM AND FITTINGS. BOOT



# SPARES schedule

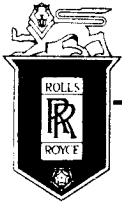
SILVER CLOUD AND BENTLEY 'S' TYPE



Ref.	Part No.	Description	No off	Ref.	Part No.	Description	No off
(1)	UW.1076	<b>FLOOR, LUGGAGE, REAR ASSEMBLY</b>	1	(5)	UB.1632	Tube, operating clamp with handle	1
	UW.1071	Floor, luggage, rear assembly	1	(6)	UB.1542	Plate, backing, tube	2
	UW.1072	Floor	1	(7)	UB.1543	Clip, bearing, tube	2
	UW.1073	Piece, packing	1		CS.30566/Z	Screw, bearing clip to front floor	4
	CS.31364/Z	Screw, packing piece	3		CS.34338/Z	Washer, screw	4
	RB.4699	Stop, inflation trap	4		K.4404/Z	Washer, screw	4
	CS.31360/Z	Screw, stop to floor	12		K.4006/Z	Nut, screw	4
	UW.1074	Trap, tyre inflation	1	(8)	UB.1531	Angle, reinforcing, rear to front floor	1
	RB.4696	Hinge, trap	1		CS.30564/Z	Screw, angle to floor	10
	CS.31360/Z	Screw, hinge	9		CS.34338/Z	Washer, cup, screw	10
	UB.1528	Catch, ball, trap	1		K.4404/Z	Washer, plain, screw	10
	UB.1529	Plate, striker, catch	2		K.9006/Z	Washer, spring, screw	10
	CS.32303	Pin, gimp, striker plate	2		K.4006/Z	Nut, screw	10
	RE.10461	Strap, handle, trap	1	(9)	UW.1075	Floor, luggage, front	1
	CS.34334/Z	Washer, cup, strap	2	(10)	UB.1547	Stiffener, front floor	1
	CS.31363/Z	Screw, strap	2		CS.30543/Z	Screw, stiffener to floor	15
	CS.31364/Z	Screw, rear floor to support angle	6		K.4404/Z	Washer, screw	15
	UA.3804/Z	Screw, rear floor to tool and battery components	4		K.4006/Z	Nut, screw	15
	CS.34340/Z	Washer, cup, screws	4	(11)	UB.1530	Bracket, spare wheel stop	1
	RB.3801	Stud, carpet fastener	4		CS.30564/Z	Screw, bracket to floor	4
	CS.31121/Z	Screw, fastener stud	6		CS.34338/Z	Washer, cup, screw	4
(2)	UB.1546	Strip, clamping, spare wheel	2		K.4404/Z	Washer, plain, screw	4
	CS.30543/Z	Screw, strip to floor	6		K.9006/Z	Washer, spring, screw	4
	K.4404/Z	Washer, screw	6		K.4006/Z	Nut, screw	4
	K.4006/Z	Nut, screw	6		UA.3804/Z	Screw, front luggage floor	10
(3)	UB.1631	Quadrant, spare wheel clamp	1		CS.34304/Z	Washer, cup, screw	10
(4)	UB.1539	Tube, distance, clamp	2		RB.3801	Stud, carpet fastener, front floor	4
	UA.109/Z	Bolt, quadrant to floor	2		CS.31121/Z	Screw, stud, fastener	4
	K.4407/Z	Washer, bolt	2		RB.3801	Stud, carpet fastener, tool compt.	2
	UA.301/Z	Nut, bolt	2		KB.1861	Rivet, stud, fastener	2
					CS.6501/Z	Washer, rivet	2

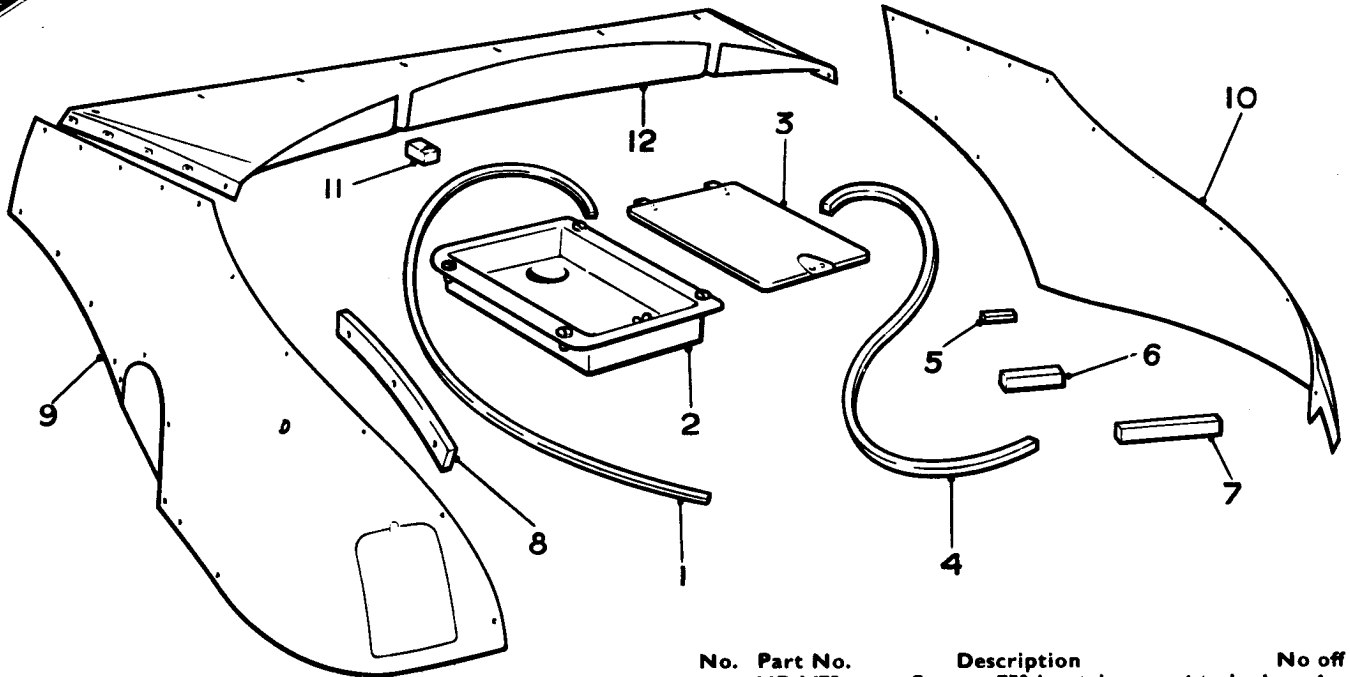
## BODY TRIM AND FITTINGS.

BOOT.  
(Continued)



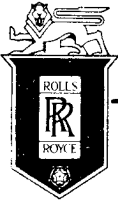
# SPARES schedule

SILVER CLOUD AND BENTLEY 'S' TYPE



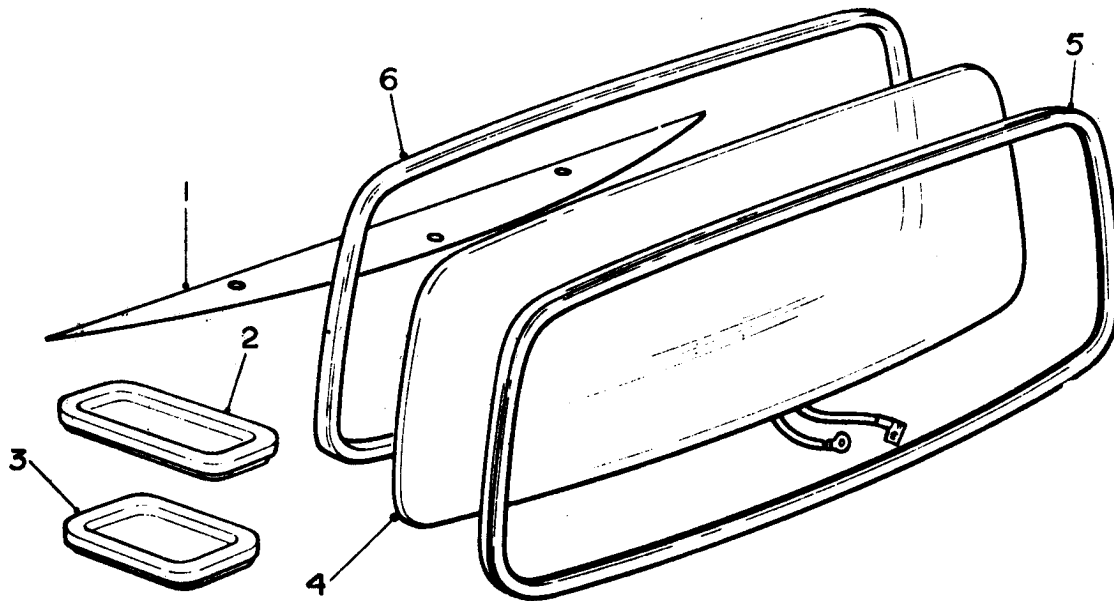
Ref.	Part No.	Description	No off	No.	Part No.	Description	No off
(1)	UB.1318	Seal, tool tray to floor	1		UB.1473	Screw, .750 in., trim panel to body	4
(2)	UB.1305	<b>BOX, TOOL TRAY, ASSY.</b>	1		CS.34336/E	Washer, cup, screw	10
	UB.1403	Clip, spring, lid	1		CS.31501/Z	Screw, panel to fillet	2
	KB.2450	Rivet, spring clip	2		CS.34334/E	Washer, cup, screw	2
	UB.1404	Plate, backing, clip	1		UW.1983	Panel, trim, luggage compt., side, R.H.	1
(3)	UB.1312	Lid, tool tray	1		UB.1435	Screw, .500 in., trim panel to body	5
(4)	UB.2778	Seal, long, battery box	1		UB.1473	Screw, .750 in., trim panel to body	5
(5)	UB.2789	Seal, short, battery box	1		CS.34336/E	Washer, cup screw	10
	RB.3801	Stud, carpet fastener, battery box lid	1		CS.31501/Z	Screw, panel to fillet	2
	KB.1861	Rivet, stud, fastener	1		CS.34334/Z	Washer, cup, screw	2
	CS.6301/Z	Washer, rivet	1	(11)	UW.1056	Stop, torsion bar, trunk door	1
(6)	UW.1277	Block, trim panel, rear, L.H.	1		CS.31344/Z	Screw, stop to body	2
	UW.1276	Block, trim panel, rear, R.H.	1	(12)	UB.1433S/A	<b>PANEL, TRIM, LUGGAGE COMPT., HEADER</b>	1
(7)	UW.1278	Block, trim panel, front	2		UB.2202	Trim, header panel	1
	CS.30124/Z	Screw, block to floor	8			(Cars with Whitlock type interior cooling except N. America)	
	RB.3801	Stud, carpet fastener, main luggage floor	14		UB.2378	Trim, header panel	1
	CS.31121/Z	Screw, fastener stud	14			(Cars with Chrysler type interior cooling except N. America)	
(8)	UW.1573	Fillet, trim, wheel arch, L.H.	1		UB.2418	Trim, header panel	1
	UW.1572	Fillet, trim, wheel arch, R.H.	1			(Cars with RR type interior cooling)	
(9)	CS.30124/Z	Screw, fillet to wheel arch	6		CS.30122/E	Screw, trim panel to trunk hinge	8
	UW.1308	Panel, trim, luggage compt. side, L.H.	1		UB.1435	Screw, trim panel to body	17
	CS.30602/SS	Screw, panel to body	5		CS.34336/E	Washer, cup, screw	25
	CS.30604/SS	Screw, panel to body	5		UW.1388	Panel, Haircord, rear wheel arch, R.H.	1
	CS.34336/E	Washer, cup, screw	10		UW.1389	Panel, Haircord, rear wheel arch, L.H.	1
	CS.31501/Z	Screw, panel to trim fillet	2		UW.1815	Panel, Haircord, rear wheel arch, L.H.	1
10)	CS.34334/E	Washer, cup, screw	2		UW.1816	Panel, Haircord, rear wheel arch, R.H.	1
	UW.1310	Panel, trim, luggage compt. side, R.H.	1			(Cars with RR type interior cooling)	
	CS.30602/SS	Screw, panel to body	5		UW.1577	Panel, Black Vyanide, squab board flange	1
	CS.30604/SS	Screw, panel to body	5		UW.1390	Panel, Haircord, squab flange, R.H.	1
	CS.34336/E	Washer, cup, screw	10		UW.1391	Panel, Haircord, squab flange, L.H.	1
	CS.31501/Z	Screw, panel to trim fillet	2		UW.1386/7	<b>PANEL, HAIRCORD, LUGGAGE FLOOR</b>	1
	CS.34334/E	Washer, cup, screw	2		RB.5926	Fastener, carpet	27
		(Not L.W.B. cars)			RB.3800	Ring, carpet fastener	27
	UW.1981	Panel, trim, luggage compt. side, L.H.	1				
	UB.1435	Screw, .500 in., trim panel to body	5				
		(L.W.B. cars only)					

## BODY TRIM AND FITTINGS. BOOT. (Continued)



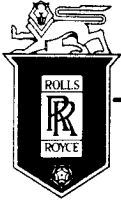
# SPARES schedule

SILVER CLOUD AND BENTLEY 'S' TYPE



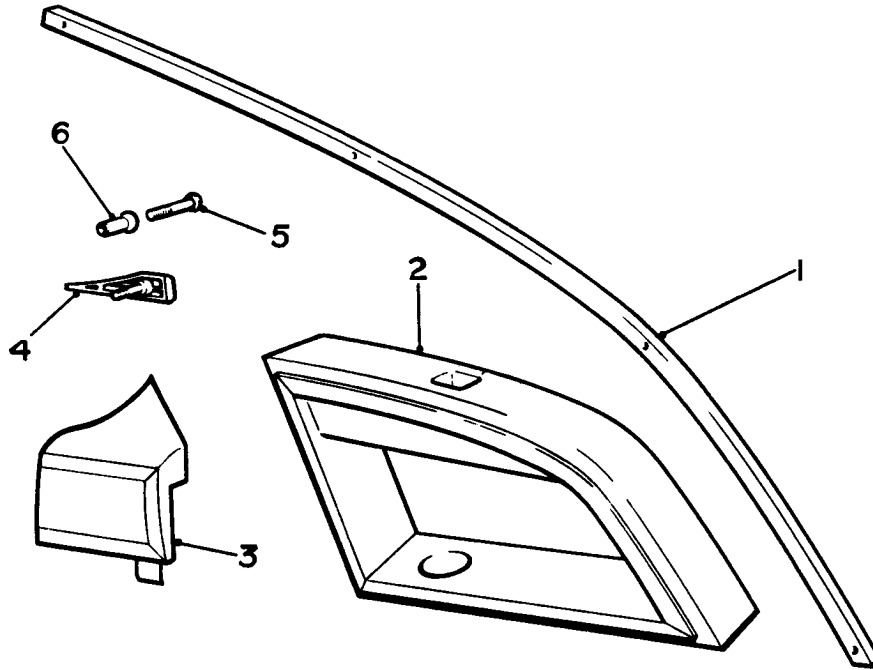
Ref.	Part No.	Description	No off	Ref.	Part No.	Description	No off
	UW.1979S/A	PANEL, TRIMMED, PARCEL SHELF, REAR ASSY. (L.W.B. cars)	1		UW.1402	Panel, hide, anti-drum, parcel shelf	4
(1)	UW.1731S/A	PANEL, TRIMMED, PARCEL SHELF, REAR ASSY. (Not L.W.B. cars)	1	CS.31602/Z	Screw, panel to parcel shelf		24
	CS.31121/Z	Screw, panel top and shelf	4	UW.1403	Panel, calico, anti-drum, parcel shelf		4
(2)	UW.1003	Panel, anti-drum, outer, parcel shelf	2	UW.1552S/A	PANEL, PERFORATED HARD-BOARD, ASSY.		1
(3)	UW.1004	Panel, anti-drum, inner, parcel shelf	2	UW.1360	Panel, headcloth		1
	UW.1721	Panel, anti-drum, inner, parcel tray	2	UW.1950	Panel, perforated hardboard, parcel tray		1
	UW.1736	Panel, anti-drum, outer, parcel tray, R.H.	1	UW.1946	Packing, depression, parcel tray (Cars with late type RR interior cooling)		2
	UW.1737	Panel, anti-drum, outer, parcel tray, L.H. (Cars with Whitlock or Chrysler interior cooling except N. America)	1	CS.31121/Z	Screw, panel to parcel shelf		4
	UW.1779	Panel, anti-drum, inner, parcel tray (Cars with RR: type interior cooling)	2	UW.1365	Parcel seal, art felt, parcel shelf		1
	UW.1780	Panel, anti-drum, outer, parcel tray (Cars with early type RR interior cooling)	2	(4) UB.2051	GLASS, BACKLIGHT WITH DEMISTER, ASSY.		1
	CS.30981/Z	Nut, nozzle to trim pad	2	RD.3690	Eye, cable		1
	CS.31330/Z	Screw, retainer, cage nut	4	UR.2083	Eye, cable		1
	CS.31010/Z	Cage nut	2	UD.1733	Sleeve		1
	CS.31384/Z	Screw, anti-drum panel, inner	8	UB.2052	GLASS, SUNDM, BACKLIGHT ASSY. (As above except glass)		1
							(Alt.
				K.1801/Z	Screw, earth connection		1
				K.4446/Z	Washer, screw		1
				(5) UB.2611	Seal, rear backlight		1
				UW.1630	Strip, Prestik		9 ft.
				(6) UW.1234	Finisher, rear backlight		1
				CS.31204/E	Screw, finisher to body		17
				UB.1833	Washer, cup, screw		17

## BODY TRIM AND FITTINGS. PARCEL SHELF AND BACKLIGHT.



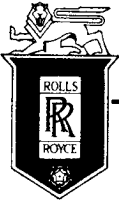
# SPARES schedule

SILVER CLOUD AND BENTLEY 'S' TYPE



Ref.	Part No.	Description	No off	Ref.	Part No.	Description	No off
(1)	UW.1125	Fillet, trim, trim rail, R.H.	1	(3)	UW.1155	FINISHER, "D" POST, ASSY. R.H.	1
	UW.1126	Fillet, trim, trim rail, L.H.	1		UB.1582	Clip	1
	CS.31104/Z	Screw, fillet to body	8		CS.31344/Z	Screw, clip	2
	UW.1375	Panel, plastic, wheel arch	2		UW.1151	FINISHER, "D" POST, ASSY., L.H.	1
	UW.1269	Panel, bituminous felt, wheel arch	2		UB.1581	Clip	1
	UW.1368	Panel, bituminous felt, rear	2		CS.31344/Z	Screw, clip	2
		quarte	2		CS.31020/Z	Screw, finisher to body	4
	UW.1584S/A	Panel, trimmed, lower R.H.	1			Not L.W.B.	
	UW.1584S/A	Panel, trimmed, lower L.H.	1	(4)	UB.1063	Moulding, "D" post, R.H.	1
	UW.1326S/A	Panel, trimmed, upper R.H.	1		UB.1062	Moulding, "D" post, L.H.	1
	UW.1325S/A	Panel, trimmed, upper L.H.	1	(5)	UB.1052	Stud, "D" post, moulding	2
	CS.31345/Z	Screw, panel to seat channel	6	(6)	UB.1053	Piece, distance, "D" post moulding	2
(2)	UW.1055	COMPANION, REAR, ASSY., R.H.	1		K.9006/Z	Washer, stud	2
	UW.1040	Facia, assembly	1		K.4006/Z	Nut, stud	2
	UB.1343	Glass, diffuser	1				
	UB.1341	Mirror	1				
	RB.3859	Bracket, mirror	4				
	CS.31330/Z	Screw, bracket	4				
	UW.1048	Frame	1				
	CS.31365/Z	Screw, facia	4				
	UW.1054	COMPANION, REAR, ASSY., L.H.	1				
		(As above except :—)					
	UW.1097	Facia, assembly	1				
	UB.1342	Glass, diffuser	1				
	UB.1340	Mirror	1				
	UW.1044	Frame	1				
	CS.31366/Z	Screw, companion to quarter panel	6				
		Not L.W.B.					

## BODY TRIM AND FITTINGS REAR QUARTERS

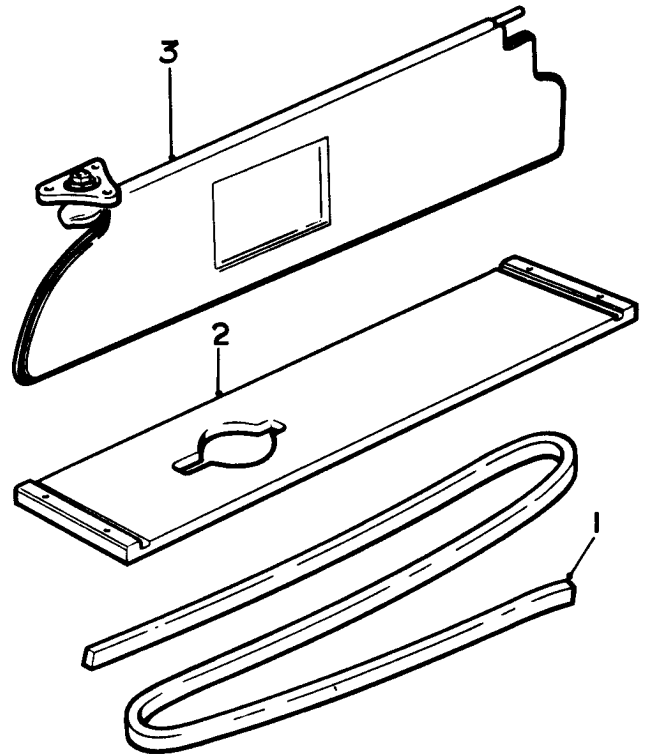


# SPARES schedule

SILVER CLOUD AND BENTLEY 'S' TYPE

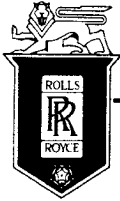


Ref.	Part No.	Description	No off
	UW.1623	Panel, Flintcote, roof, rear	1
	UW.1622	Panel, Flintcote, roof, centre	1
	UW.1621	Panel, Flintcote, roof, front	1
	UB.1671	Wire, listing, roof, No. 1	1
	UB.1672	Wire, listing, roof, No. 2	1
	UB.1673	Wire, listing, roof, No. 3	1
	UB.1674	Wire, listing, roof, No. 4	1
	UB.1675	Wire, listing, roof, No. 5	1
	UB.2485	Wire, listing, roof, No. 1	1
	UB.2486	Wire, listing, roof, No. 2	1
	UB.2487	Wire, listing, roof, No. 3	1
	UB.2488	Wire, listing, roof, No. 4	1
	UB.2489	Wire, listing, roof, No. 5	1
		(Cars with RR type interior cooling	
	CS.30542/Z	Screw, listing wire to roof	6
	CS.30562/Z	Screw, listing wire to roof	4
	UB.2745	Wire, listing, roof, No. 1	1
	UB.2746	Wire, listing, roof, No. 2	1
	UB.2747	Wire, listing, roof, No. 3	1
	UB.2748	Wire, listing, roof, No. 4	1
	UB.2749	Wire, listing, roof, No. 5	1
	UB.2750	Wire, listing, roof, No. 6	1
	CS.30542/Z	Screw, wire to roof	12
		(L.W.B. cars	
(1)	UB.1574	Strip, felt, roof bows to roof	4
	UW.1366	Panel, felt, roof bows	2
	UW.1648	Panel, bituminous felt, front roof bow	1
(2)	UW.1058	Support, roof lamp	1
	CS.30563/Z	Screw, support to roof bows	4
	K.4307/Z	Nut, screw	4
		(Not L.W.B. cars	
	UW.1345S/A	HEAD CLOTH ASSY.	1
	UW.1346	Panel, rear light	1
	UW.1995S/A	HEAD CLOTH ASSY.	1
	UW.1996	Panel, rear light	1
		(L.W.B. cars	
	UW.1279S/A	Fillet, trimmed, cantrail, R.H.	1
	UW.1279S/A	Fillet, trimmed, cantrail, L.H.	1
		(Not L.W.B. cars	
	UB.1690	Pull, hand, assembly, R.H.	1
	UB.1689	Pull, hand, assembly, L.H.	1
	CS.31245/E	Screw, hand pull to cantrail	4
	UW.1320	Panel, plywood, header	1
	UW.1367	Panel, felt, header	1
	UW.1280S/A	Fillet, trimmed, header	1
	UB.2598	VISOR, SUN, WITH MIRROR, ASSEMBLY, R.H.	1
		(L.C. cars	
	UB.1391	Bracket, and spindle assembly	1
	RB.5194	Cap	1
	UB.1380	Bolt, eye	1
	UB.1383	Housing	1
	RB.5197	Mirror	1
	UB.1379	Nut	1
	K.4310/Z	Nut, lock	1
	RB.5408	Pin, pivot	1
	UB.1390	Washer, cup	1
	UB.1808	Washer, plain, nut	1
	UB.1805	Washer, wave	1



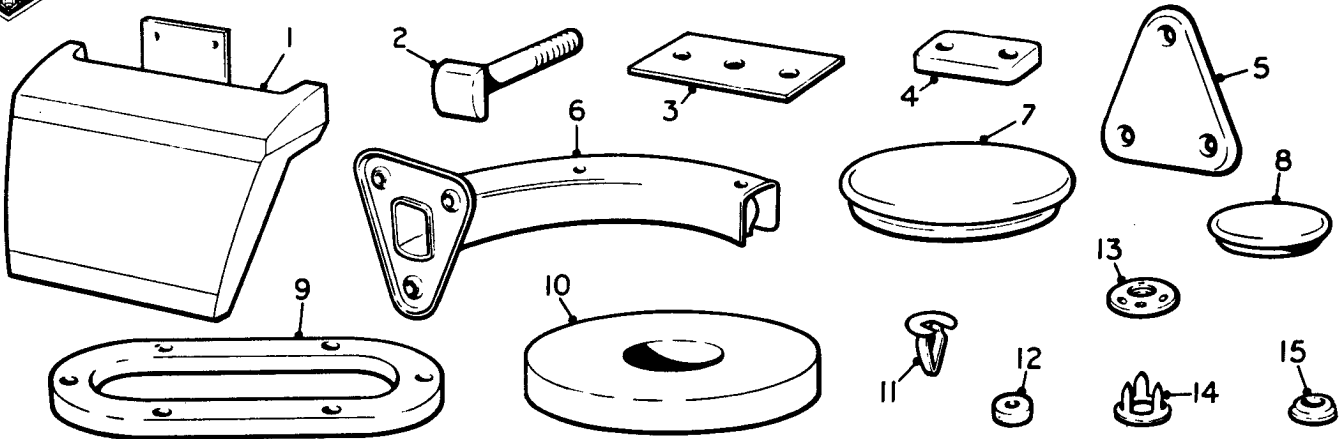
Ref.	Part No.	Description	No off
(3)	UB.2597	VISOR, SUN, WITH MIRROR, ASSEMBLY, L.H.	1
		(R.C. cars	
	UB.2599	VISOR, SUN, ASSEMBLY, L.H.	1
		(L.C. cars	
	UB.1392	Bracket, and spindle assy.	1
	UB.2600	VISOR, SUN, ASSY., R.H.	1
		(R.C. cars	
	RB.7239	Clip, support, sun visor	2
	K.4404/Z	Washer, visor housing to header	6
	CS.30604/SS	Screw, visor housing to header	6
	UB.1473	Screw, visor housing to header	6
		(L.W.B. cars	
	CS.31785/Z	Screw, support clip	4
	UD.2270	Plug, blanking, roof aerial	1
	UD.2269	Grommet, plug	1
	K.9010/Z	Washer, plug	1
	CS.32074	Washer, plug	1
	RE.22428	Nut, blanking plug	1
		(Cars not fitted with roof aerial	

## BODY TRIM AND FITTINGS. ROOF.



# SPARES schedule

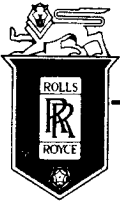
SILVER CLOUD AND BENTLEY 'S' TYPE



Ref.	Part No.	Description	No off	Ref.	Part No.	Description	No off
	UW.1322S/A	PANEL ASSY., TRIMMED, B & C POST, UPPER R.H.	1	(6)	UB.2405	CONDUIT, CABLE, B & C POST, L.H.	1
	UB.2301	Clip, trim	1			(As for R.H.)	
	UB.2331	Retainer, clip	1			Screw, conduit to B & C post	6
	CS.31344/Z	Screw, retainer	2		CS.30122/Z	(With electric window lifts only)	
	UW.1321S/A	PANEL ASSY., TRIMMED, B & C POST, UPPER, L.H.	1		UW.1374	Panel, Flintcote, floor, rear	1
		(As for R.H.)			UW.1363	Panel, Art Felt, floor, rear	1
(1)	UW.1146	Finisher, waist, B & C post, R.H.	1		UW.1380	PANEL, CARPET, FLOOR, REAR	1
	UW.1145	Finisher, waist, B & C post, L.H.	1		RB.5926	Fastener, carpet	23
	CS.31020/Z	Screw, finisher to post	6		RB.3800	Ring, fastener	23
		(Not L.W.B. cars)			UW.1381	PANEL, CARPET, HEATER DUCT	1
(2)	UB.1059	Moulding, B & C post	2		RB.5926	Fastener	5
	UB.1052	Stud, moulding	2		RB.3800	Ring, fastener	5
	K.9006/Z	Washer, stud	2	(7)	RB.2515	Grommet, filler hole, gearbox	1
	K.4006/Z	Nut, stud	2	(8)	UB.1051	Grommet, body mount, sealing	8
	UW.1264	Strip, tacking, B. & C post, front, lower, R.H.	1	(9)	RB.5987	Seal, rubber, cover plate, gearbox	1
	UW.1263	Strip, tacking, B & C post, front, lower, L.H.	1		UW.1373	Panel, Flintcote, floor, front	1
	CS.31123/Z	Screw, tacking strip	8		UW.1362	Panel, Art Felt, floor, front	1
	UW.1262	Strip, tacking, B & C post, rear, centre, R.H.	1		UW.1384	Panel, plush, seat runner, inner	2
	UW.1261	Strip, tacking, B & C post, rear, centre, L.H.	1		UW.1385	Panel, plush, seat runner, outer	2
	CS.31123/Z	Screw, tacking strip	4		UW.1372	Panel, Flintcote, toe-board	1
	UW.1582	Strip, tacking, B & C post, rear, lower, R.H.	1		UW.1361	Panel, Art Felt, toe-board	1
	UW.1583	Strip, tacking B & C post, rear, lower, L.H.	1	(10)	RW.2689	Washer, felt, dipper switch	1
	CS.31123/Z	Screw, tacking strip	6		RB.5926	Fastener, carpet	26
(3)	RB.3772	Plate, trim fixing lower	6	(11)	RB.3800	Ring, fastener	26
	CS.31342/Z	Screw, plate to tacking strip	12		RB.3801	Stud, floor, fastener	49
	UW.1324S/A	PANEL ASSY., TRIMMED, B & C POST, LOWER, R.H.	1		RB.3801	Stud, floor, fastener	26
	UB.2301	Clip, trim	4			(Not L.W.B. cars)	
	UB.2331	Retainer, clip	4	(12)	RB.3757	Washer, stud	51
	CS.31344/Z	Screw, retainer	8		RB.3757	Washer, stud	28
	UW.1323S/A	PANEL ASSY., TRIMMED, B & C POST, LOWER, L.H.	1		CS.31122/Z	Screw, carpet stud	47
		(As for R.H.)			CS.31122/Z	Screw, carpet stud	24
		(Not L.W.B. cars)				(L.W.B. cars)	
(4)	UB.1714	Buffer, front door, B & C post	2		KB.1861/Z	Rivet, stud	2
	UB.1715	Buffer, front door, B & C post	2		CS.6501/Z	Washer, stud	2
		(Alt)			UW.1915	Heelmat, driver	1
	CS.31041/E	Screw, buffer	4	(13)	UB.1747	Ring, mohair, front	1
(5)	UB.2548	Plate, blanking, conduit hole, B & C post	2		UB.1748	Ring, mohair, rear	1
	CS.30121/Z	Screw, blanking plate	4	(14)	RB.5926	Fastener, ring	11
		(Not with electric window lifts)		(15)	RB.3800	Ring, fastener	11
	UB.2404	CONDUIT, CABLE, B & C POST, R.H.	1		RB.3801	Stud, fastener	11
	UB.2398	Clip, cable to conduit	3		RB.3757	Washer, stud	22
	KB.1804/Z	Rivet, clip	3		CS.31125/Z	Screw, fastener stud	11
		(With electric window lifts only)				(Customer's request only)	

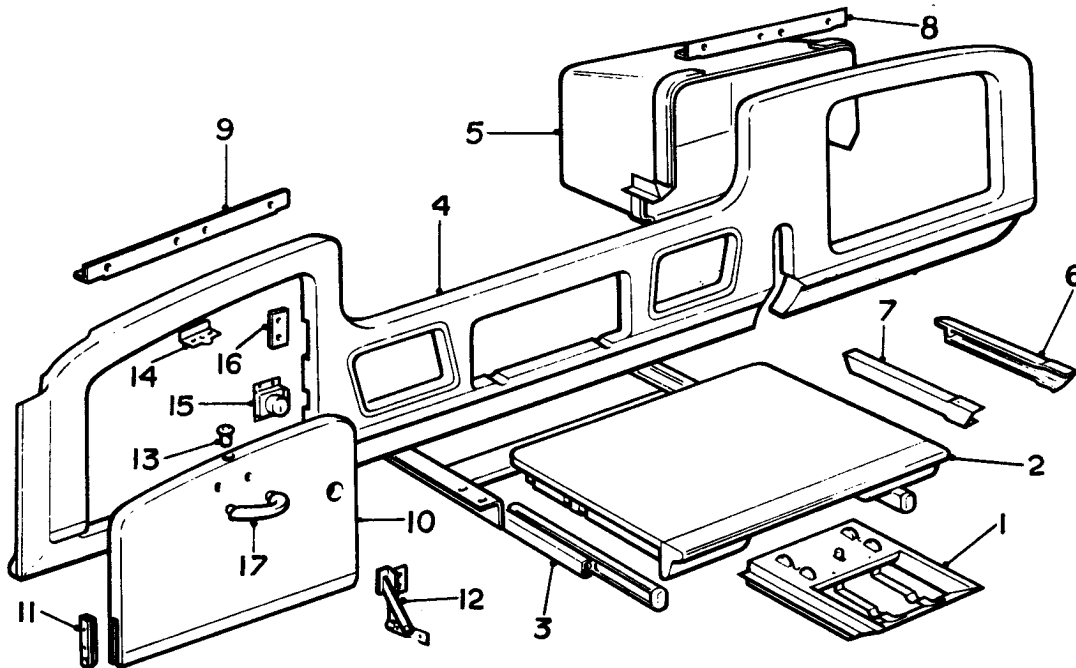
## TRIM AND FITTINGS. CENTRE SECTION.

NOTE.—If the above trim panels are required for early cars it will be necessary to remove existing tacking strips and drill .250 in. holes in B & C post closing plates.



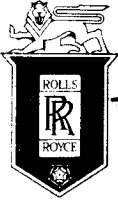
# SPARES schedule

SILVER CLOUD AND BENTLEY 'S' TYPE



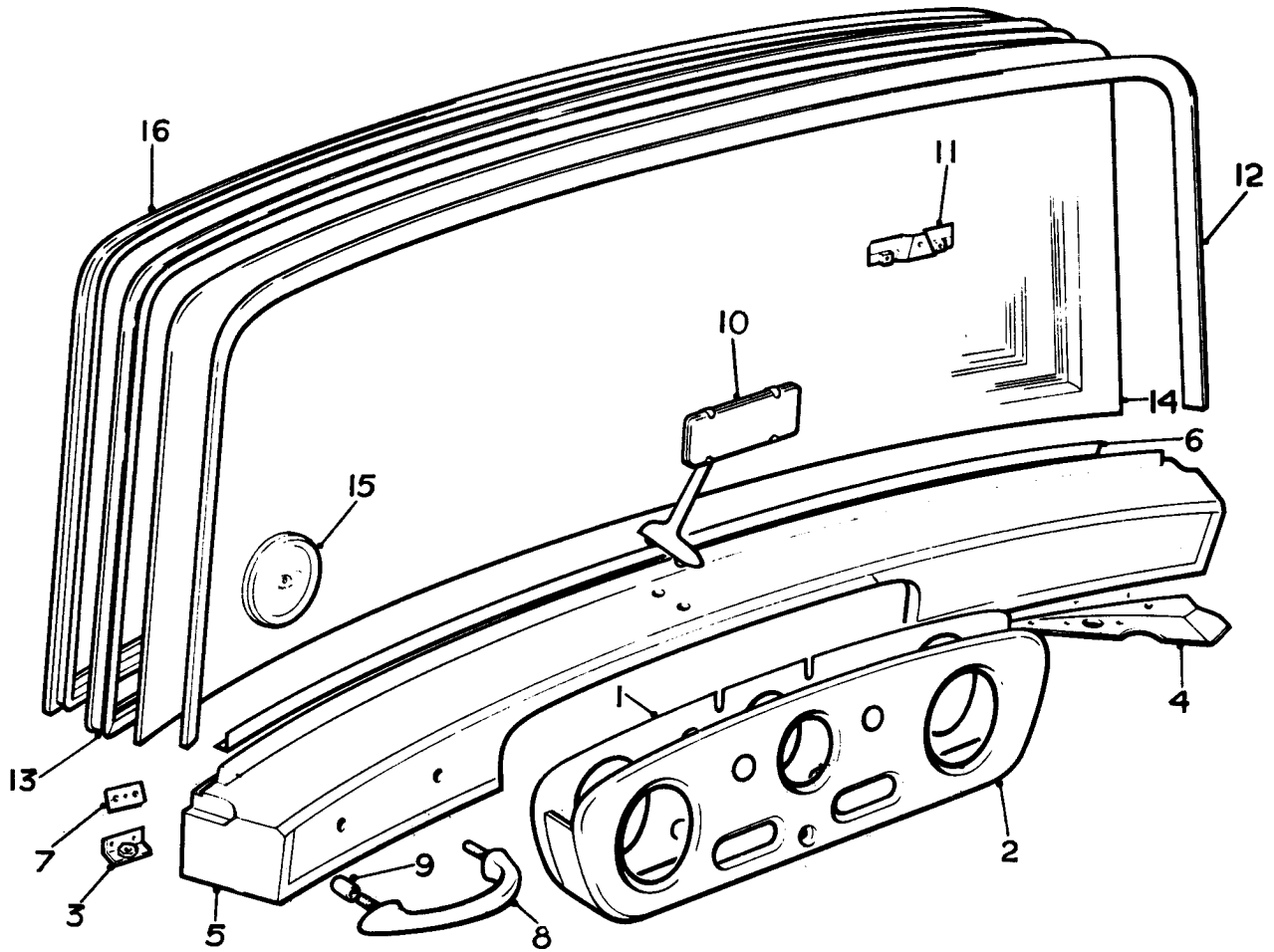
Ref.	Part No.	Description	No off	Ref.	Part No.	Description	No off
(1)	UB.1153	ASHTRAY, ASSY., COMPLETE	1	(6)	UB.2342	Slide, handbook, R.H.	1
	UB.1154	Ashtray	1	(7)	UB.2343	Slide, handbook, L.H.	1
	UB.1159	Stop assembly	1	CS.35082/Z	Rivet, slide to cubby box	4	
	UB.2104	Stop assembly	1	CS.32068/Z	Washer, rivet	4	
	KB.2403	Rivet, stop to box	1	UW.1928	Felt, cubby box	1	
	UW.1017	Finisher	1	UW.1929	Felt, cubby box	1	
	CS.31020/E	Screw, finisher to box	3	UW.1932	Felt, instrument side plate, R.H.	1	
2)	UW.1006	TRAY, PICNIC, ASSEMBLY	1	UW.1930	Felt, instrument side plate, L.H.	2	
3)	UB.2780	RUNNERS AND CHANNEL ASSY	1	(8)	UB.1251	Angle, upper, cubby box, R.H. (R.C.)	1
	UB.1278	Runner, picnic tray, R.H.	1	UB.1253	Angle, upper, cubby box, R.H. (L.C.)	1	
	UB.1282	Runner, picnic tray, L.H.	1	(9)	UB.1253	Angle, upper, cubby box, L.H. (R.C.)	1
	UB.1271	Runner, channel	2	UB.1251	Angle, upper, cubby box, L.H. (L.C.)	1	
	UB.1396	Channel, assembly, R.H.	1	CS.30541/Z	Screw, angle to cubby box	6	
	UB.1395	Channel, assembly, L.H.	1	CS.31363/Z	Screw, angle to fascia	8	
	UB.1286	Stop, runners	4	KC.153/Z	Screw, cubby box to channel	6	
	K.1701/Z	Screw, stop to runner	8	K.4404/Z	Washer, plain, screw	6	
	K.9003/Z	Washer, screw	8	K.9006/Z	Washer, spring, screw	6	
	CS.31343/Z	Screw, runner to tray	6	(10)	UW.1643	DOOR, CUBBY BOX, ASSY., (R.C.)	1
	CS.30541/Z	Screw; channel fixing	6	UW.1068	DOOR, CUBBY BOX ASSY., (L.C.)	1	
	K.4404/Z	Washer, screw, channel	6	(11)	RB.2901	Hinge, cubby box	1
(4)	UW.1639	BOARD, FACIA, ASSY., R.C.	1	(12)	UB.1766	Hinge, check (R.C.)	1
	UW.1640	BOARD, FACIA, ASSY., L.C.	1	UB.1767	Hinge, check (L.C.)	1	
	UW.1632	BOARD, FACIA, ASSY., R.C.	1	CS.31344/E	Screw, hinge to cubby door	8	
	UW.1633	BOARD, FACIA, ASSY., L.C.	1	(13)	RB.2955	Catch, ball, cubby door	1
	UW.1693	Facia, board, L.C.	1	(14)	RB.2693	Plate, striker, ball catch	1
	UW.1694	Facia, board, R.C.	1	CS.31344/E	Screw, striker plate	2	
		(Cars with Whitlock or Chrysler interior cooling except N. America)		(15)	RH.2006	Lock, cubby door (R.C.) (Keys prefixed BSM and CBM only)	1
	UW.1690	Facia, board, R.C.	1	RH.275	Lock, cubby door (R.C.)	1	
	UW.1691	Facia, board, L.C.	1	RH.2007	Lock, cubby door (L.C.) (Keys prefixed BSM and CBM only)	1	
		(All cars with R.R. interior cooling)		RH.276	Lock, cubby door (L.C.)	1	
	UW.1842	Facia, board, R.C.	1	CS.31344/E	Screw, lock	4	
	UW.1843	Facia, board, L.C.	1	(16)	RB.2035	Plate, striker, cubby lock	1
		(Cars with tachometer only)		CS.31344/E	Screw, striker plate	2	
	UB.1266	Gauze, speaker, outlet, lower	1	(17)	UB.1611	Handle, cubby door	1
	UB.1267	Gauze, speaker, outlet, upper	2	CS.30079/E	Screw, handle	2	
	UB.1826	Strip, sealing, facia board to body	1				
	CS.31604/Z	Screw, facia board to bracket	12				
	UW.1665	Felt, facia board to bracket	4				
(5)	UB.1233S/A	BOX, CUBBY, ASSY., R.H. (R.C.)	1				
	UB.1237S/A	BOX, CUBBY, ASSY., R.H. (L.C.)	1				
	UB.1972S/A	BOX, CUBBY, ASSY., L.H. (R.C.)	1				
	UB.1968S/A	BOX, CUBBY, ASSY., L.H. (L.C.)	1				

**BODY TRIM AND FITTINGS.  
FACIA BOARD AND ACCESSORIES.**



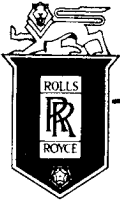
# SPARES schedule

SILVER CLOUD AND BENTLEY 'S' TYPE



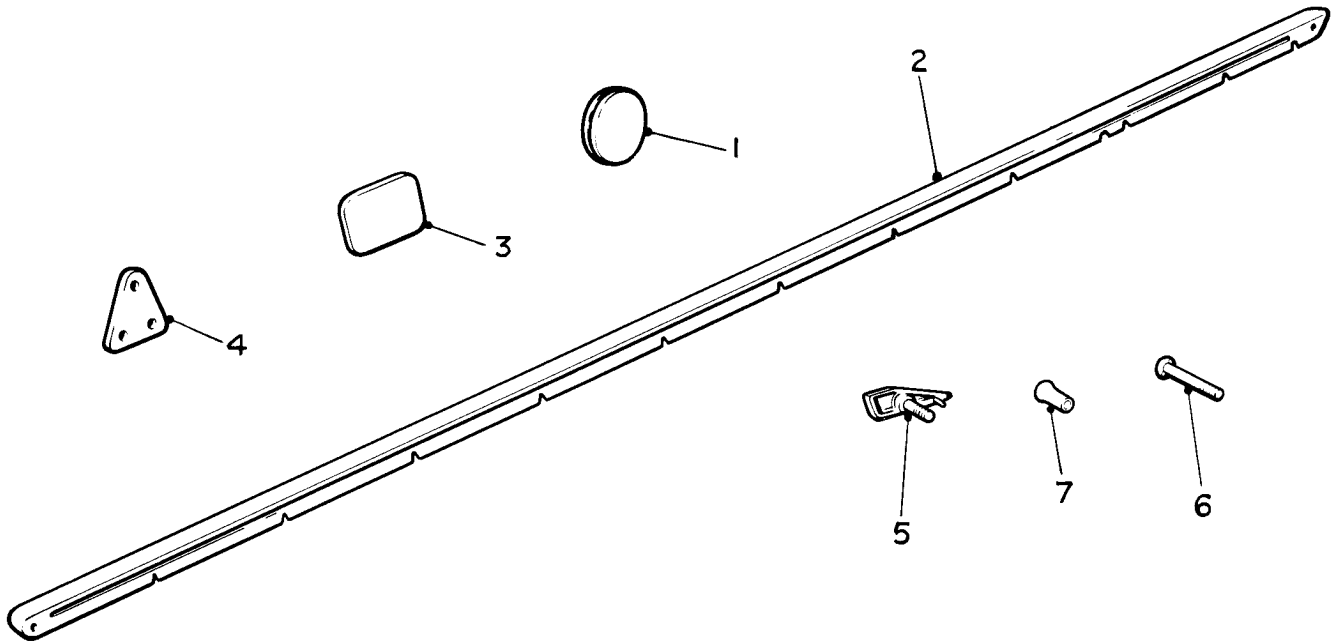
Ref.	Part No.	Description	No off	Ref.	Part No.	Description	No off	
(1)	UW.1792	Felt, instrument facia	2	(10)	UB.1474	Mirror, rear view	1	
(2)	UB.1007	Facia, instrument	1		RH	Mirror, rear view, flat glass	1	
	UB.2364	Facia, instrument (Cars with R.R. type interior cooling)	1		UB.1749	Washer, packing, mirror	2	
	UB.1039	Screw, instrument facia	4		KC.152/Z	Screw, mirror	1	
(3)	UB.1595	Bracket, trim pad	6		KC.170/Z	Screw, mirror	1	
	CS.31584/Z	Screw, bracket to facia board	12	(11)	UB.1588	Bracket, support, mirror	1	
(4)	UB.1593S/A	Pad, trim, capping rail R.H. (R.C.)	1		CS.30141/Z	Screw, support bracket	2	
	UB.1591S/A	Pad, trim, capping rail R.H. (L.C.)	1		CS.32056/Z	Washer, screw	2	
	UB.1590S/A	Pad, trim, capping rail L.H. (R.C.)	1	(12)	UW.1966S/A	<b>FINISHER, WINDSCREEN, ASSEMBLY, COMPLETE</b>	1	
	UB.1592S/A	Pad, trim, capping rail L.H. (L.C.)	1		UW.1966	Finisher, upper	1	
	CS.30101/E	Screw, trim pad to bracket	6		UW.1965	Finisher, R.H.	1	
(5)	UB.2627	Screw, trim pad to capping rail	8		UW.1964	Finisher, L.H.	1	
	UB.1320	Rail, capping, assembly (R.C.)	1			(If single piece is required send sample for matching veneer)		
	UB.1321	Rail, capping, assembly (L.C.)	1		RB.5731	Screw, windscreen finisher	12	
	UB.1708	Rail, capping, assembly (R.C.)	1		UB.1833	Washer, screw	12	
	UB.1709	Rail, capping, assembly (L.C.)	1		(13)	UB.1206	Seal, glazing, windscreen	1
		(Cars exported to France)		(14)	UB.1352	Glass, windscreen	1	
(6)	UB.2510	Collector, air, capping rail	1		UB.1851	Glass, windscreen, 'Sundym' plain	1	
(7)	UB.1108	Piece, packing, capping rail	As reqd.		UB.1335	Glass, windscreen, "Sundym" shaded	1	
	K.4307/Z	Nut, capping rail	8	(15)	UD.2012	Holder, licence	1	
	K.4404/Z	Washer, nut	8		UD.2013	Holder licence	1	
(8)	UB.1016	Handle, grab	1		(16)	UB.1001	Finisher, windscreen, chrome plated	1
(9)	UB.1043	Tube, distance, grab handle	2					
	UA.351/Z	Nut, grab handle	2					
	K.4407/Z	Washer, plain, nut	2					
	K.9008/Z	Washer, spring, nut	2					

**BODY TRIM AND FITTINGS.  
FACIA BOARD AND ACCESSORIES.**  
(Continued)



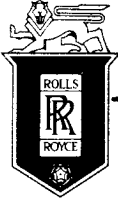
# SPARES schedule

SILVER CLOUD AND BENTLEY 'S' TYPE



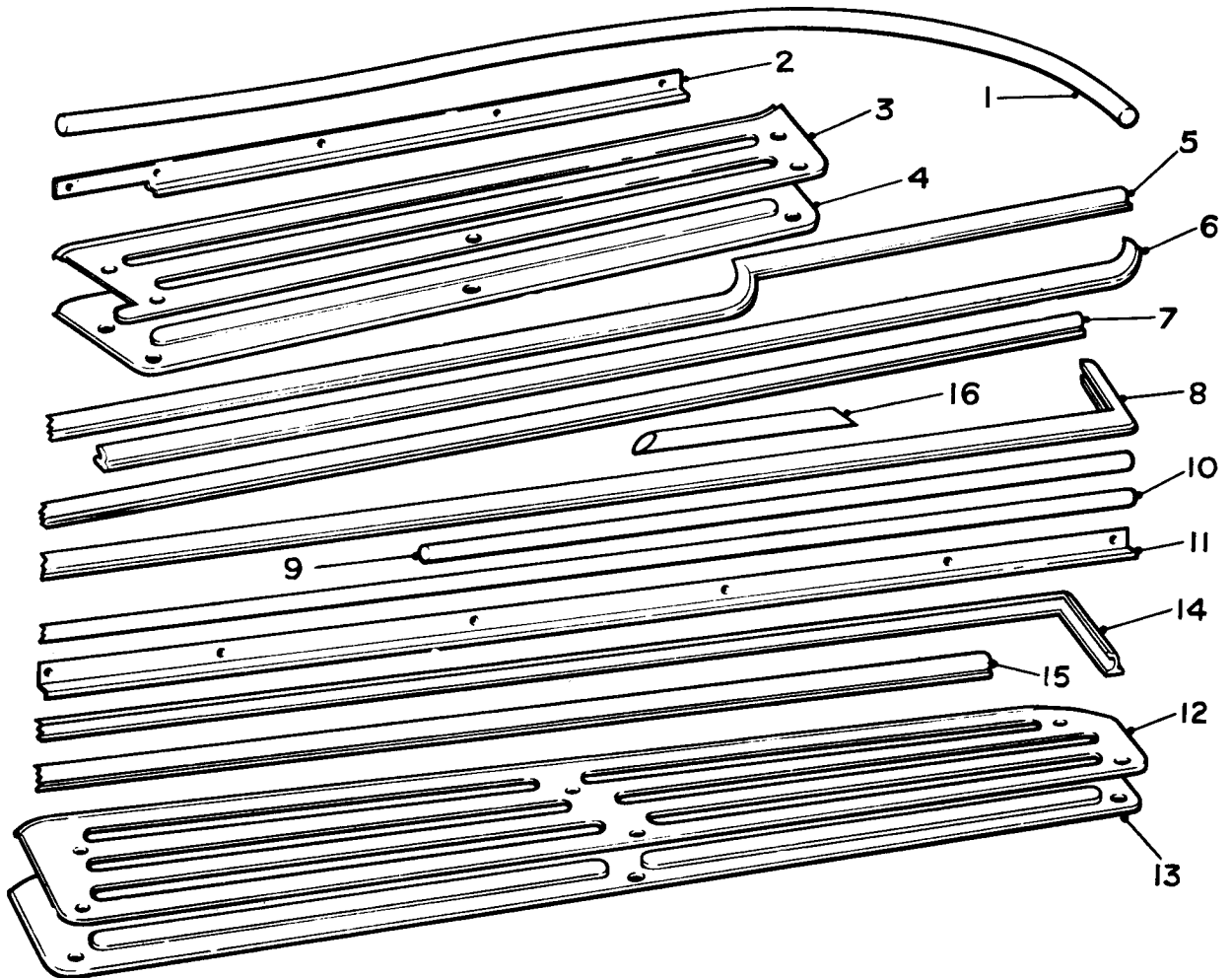
Ref.	Part No.	Description	No off	Ref.	Part No.	Description	No off
	UW.1376	PANEL, CARPET, DASH	1	(4)	UB.2548	Plate, conduit hole, "A" post	2
	RB.5926	Fastener, carpet	5		CS.30121/Z	Screw, blanking plate to "A" post	6
	RB.3800	Ring, fastener	5			(Not with electric window lifts	
	RB.3801	Stud, carpet fastener	5		UB.2400	CONDUIT, CABLE, "A" POST, ASSEMBLY, R.H.	1
	RB.3757	Washer, stud	5		UB.2398	Clip, cable to conduit	3
	CS.31122/Z	Screw, fastener stud	5		KB.1804/Z	Rivet, clip	3
	UR.2645	Panel, bituminous felt, dashboard top panel	1		UB.2401	CONDUIT, CABLE, "A" POST, ASSEMBLY, L.H.	1
	UR.2646	Panel, bituminous felt, dashboard top panel	1			As above except conduit (With electric window lifts only	
	UW.1371	Panel, Flintcote, scuttle top	1	(5)	UB.1057	Moulding, "A" post, R.H.	1
	UW.1359	Panel, headcloth scuttle reinforcement	1		UB.1058	Moulding, "A" post, L.H.	1
	UW.1392	Panel, hide, draught excluder channel, front door aperture, R.H.	1	(6)	UB.1052	Stud, moulding, "A" post	2
	UW.1392	Panel, hide, draught excluder channel, front door aperture, L.H.	1	(7)	UB.1053	Piece, distance, "A" post	2
(1)	UB.1262	Grommet, plug, No. 1 body bracket	2		K.9006/Z	Washer, stud	2
(2)	UB.1162	Moulding, kickstrip sill, R.H.	1		K.4006/Z	Nut, stud	2
	UB.1163	Moulding, kickstrip sill, L.H.	1		UA.101/Z	Bolt, blanking handbrake fixing hole	4
		(Not L.W.B. cars			UW.1370	Panel, Flintcote, scuttle side	2
	UB.2434	Moulding, kickstrip sill, R.H.	1		UW.1377	Panel, carpet, scuttle side, R.H.	1
	UB.2435	Moulding, kickstrip sill, L.H.	1		UW.1378	Panel, carpet, scuttle side, L.H.	1
		(L.W.B. Cars					
	CS.30101/Z	Screw, moulding to sill	18				
	CS.30542/Z	Screw, moulding to wing	6				
	CS.32068/Z	Washer, screw	24				
		(Not L.W.B. cars					
	KB.3904/Z	Washer, screw	24				
		(L.W.B. cars					
	K.4006/Z	Nut, moulding to wing	6				
(3)	UW.1614	Plate, millboard, hinge, access, "A" post	2				

## BODY TRIM AND FITTINGS. DASH AND 'A' POST.



# SPARES schedule

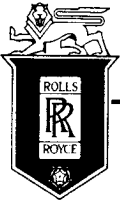
SILVER CLOUD AND BENTLEY 'S' TYPE



Ref.	Part No.	Description	No off	Ref.	Part No.	Description	No off
	UW.1364	Panel, art felt, rear seat pan	1	(8)	UB.2228	Seal, "B" and "C" post rear, R.H.	1
	UW.1382	Panel, carpet, rear seat heelboard	1		UB.2227	Seal, "B" and "C" post rear, L.H.	1
	UW.1393	Panel, hide, draught excluder channel, door aperture	2		UB.2761	Seal, "A" post to sill, L.H.	1
(1)	UB.1741S/A	Seal, trimmed, draught welt, sill and wheel arch	2		UB.2762	Seal, "A" post to sill, R.H.	1
(2)	UB.1702	Retainer, seal, rear, R.H.	1		UB.2763	Seal, "C" post to sill, L.H.	1
	UB.1701	Retainer, seal, rear, L.H.	1		UB.2764	Seal, "C" post to sill, R.H.	1
		(Not L.W.B. cars)				(Export cars and L.W.B.)	
	UB.2433	Retainer, seal, rear	2	(9)	UB.1744S/A	Seal, trimmed, draught welt, "A" post	2
		(L.W.B. cars)		(10)	UB.1746S/A	Seal, trimmed, draught welt, front sill	2
	CS.31042/Z	Screw, retainer to floor	10	(11)	UB.1332	Retainer, seal, front sill	2
(3)	UB.1327	Tread Plate, rear floor, R.H.	1		CS.31042/Z	Screw, retainer to floor	12
	UB.1326	Tread plate, rear floor, L.H.	1	(12)	UB.2000	Tread plate, front floor, R.H.	1
		(Not L.W.B. cars)			UB.2001	Tread plate, front floor, L.H.	1
	UB.2558	Tread plate, rear floor, R.H.	1	(13)	UB.2002	Moulding, front tread plate, R.H.	1
	UB.2559	Tread plate, rear floor, L.H.	1		UB.2003	Moulding, front tread plate, L.H.	1
		(L.W.B. cars)			CS.30562/Z	Screw, tread plate to floor	12
(4)	UB.1331	Moulding, rear tread plate, R.H.	1		CS.31120/E	Screw, tread plate to floor	2
	UB.1330	Moulding, rear tread plate, L.H.	1	(14)	UB.2227	Seal, "B" and "C" post, front, R.H.	1
	CS.30562/Z	Screw, tread plate to floor	10		UB.2228	Seal, "B" and "C" post, front, L.H.	1
(5)	UB.2225	Seal, rear door top to "D" post, R.H.	1		UB.2230	Seal, front sill	2
	UB.2226	Seal, rear door top to "D" post, L.H.	1	(15)	UB.2229	Seal, front door, top and "A" post	3
(6)	UB.2594	Seal, rear wheel arch, R.H.	1		UB.2595	Seal, packing, "A" post	2
	UB.2593	Seal, rear wheel arch, L.H.	1	(16)	UB.1852	Seal, rear quarter light, ventilator frame	2
(7)	UB.2230	Seal, rear sill	2			(L.W.B. cars)	

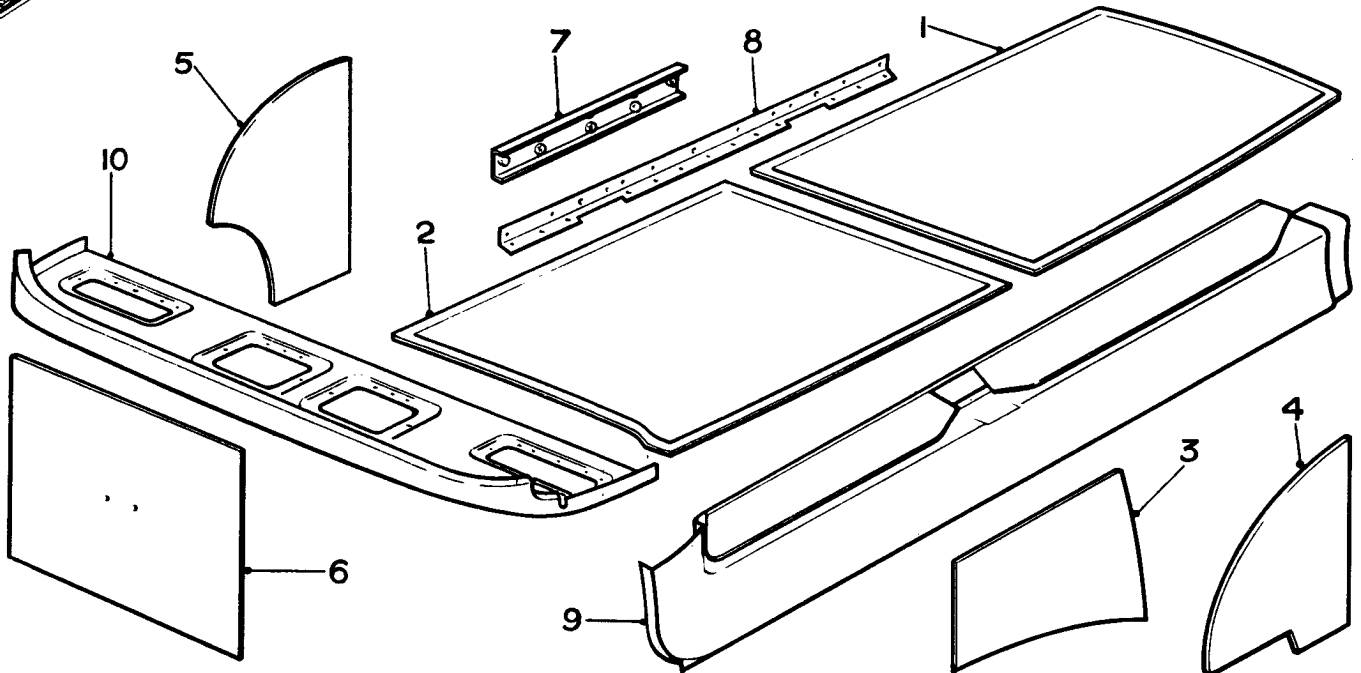
## BODY TRIM AND FITTINGS.

## SEALS AND DRAUGHT EXCLUDERS.



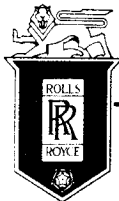
# SPARES schedule

SILVER CLOUD AND BENTLEY 'S' TYPE



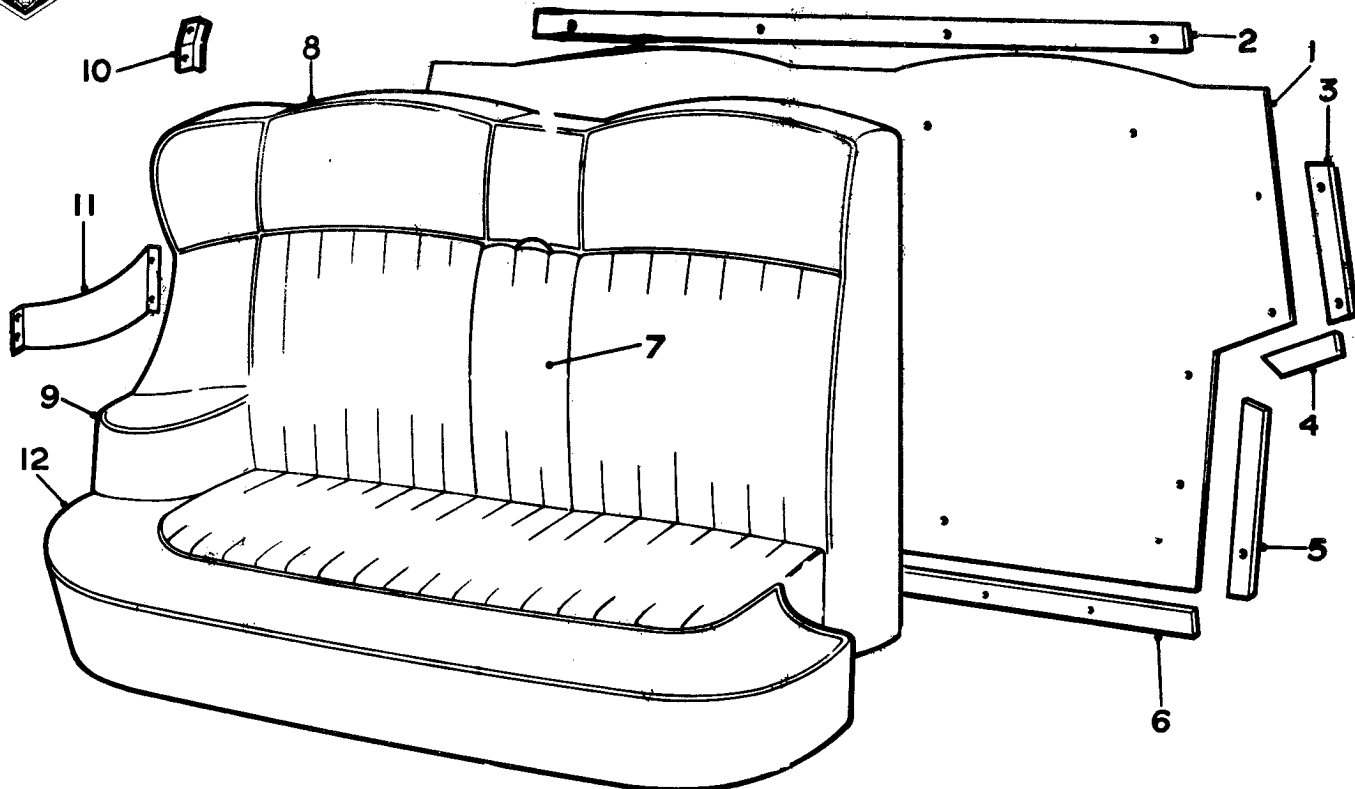
Ref.	Part No.	Description	No off	Ref.	Part No.	Description	No off
	UB.1993	Front, insulating panel, R.H.	1	(6)	UW.1841	Trim board, evaporator, centre	1
	UB.1994	Front insulating panel, L.H.	1		UB.2674	Plate, identification	1
	UB.1996	Rear insulating panel, R.H.	1		UW.1647	Alkathene sheet	1
	UB.1997	Rear insulating panel, L.H.	1		UB.2590	Insulation	1
	UB.1998	Front insulating panel, tourneau side	2	(7)	UB.2588	Support bracket, assembly	2
	UB.1999	Rear insulating panel, tourneau side	2	(8)	UB.2591	Angle, trim pad	1
		(Cars with Whitlock or Chrysler equipment except N. America)			CS.30541/Z	Screw, bracket to angle	4
(1)	UB.2474	Front insulating panel, R.H.	1		CS.30602/SS	Screw, trim board to bracket	12
	UB.2475	Front insulating panel, L.H.	1		CS.34324/E	Washer, cup, screw	12
(2)	UB.2477	Rear insulating panel, R.H.	1		CS.31203/SS	Screw, trim board to angle	22
	UB.2478	Rear insulating panel, L.H.	1		CS.34322/E	Washer, cup, screw	22
(3)	UB.2479	Front insulating panel, tourneau side front	2		KC.170/Z	Bolt, angle to header panel	13
					K.4404/Z	Washer, bolt	13
(4)	UB.2480	Front insulating panel, tourneau side rear	2		K.4006/Z	Nut, bolt	13
		(Cars fitted with R.R. equipment)				(Cars with R.R. equipment)	
	UW.1741	Trim board, evaporator	2		UB.2032	PANEL ASSY., COMPLETE, OUTER, R.H.	1
	UW.1742	Batten, trim board	2			(Cars with Whitlock or Chrysler equipment except N. America)	
	UW.1743	Strip, trim board	2		UB.2410	PANEL ASSEMBLY, COMPLETE SILL OUTER, R.H.	1
		(Cars with Whitlock equipment, except N. America)				(Cars with early type R.R. equipment)	
	UW.1782	Trim board, evaporator	2	(9)	UB.2655	PANEL ASSEMBLY, COMPLETE, SILL OUTER, R.H.	1
	UW.1783	Batten, trim board	2			(Cars with late type R.R. equipment)	
	UW.1784	Strip, trim board	2		UB.2033	Inspection plate, refrig. pipe	1
		(Cars with Chrysler equipment, except N. America)			CS.31040/Z	Screw, plate	6
	CS.31346/Z	Screw, trim board to batten	3		UB.2034	Inspection plate, refrig. pipe	4
	CS.31464/Z	Screw, trim board to strip	8		CS.31040/Z	Screw, plate	24
	CS.34332/E	Washer, cup, screw	8			(Cars with Whitlock Chrysler and early R.R. equipment)	
	UB.2028	Bracket, trim board, short	2		UB.2174	PANEL, PARCEL SHELF	1
	UB.2031	Bracket, trim board, long	2			(Cars with Whitlock or Chrysler equipment except N. America)	
	UB.1435	Screw, trim board to bracket	14		UB.2368	PANEL, PARCEL SHELF	1
	CS.34338/E	Washer, cup, screw	14			(Cars with early type R.R. equipment)	
		(Cars with Whitlock or Chrysler equipment except N. America)		(10)	UB.2647	PANEL, PARCEL SHELF	1
						(Cars with late type R.R. equipment)	
(5)	UW.1788	Trim board, evaporator, side, R.H.	1				
	UW.2015	Trim board, evaporator, side, L.H.	1				
		(Cars with R.R. equipment)					

**BODY TRIM AND FITTINGS.  
SPECIAL FITTINGS WITH INTERIOR  
COOLING.**



# SPARES schedule

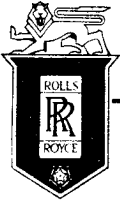
SILVER CLOUD AND BENTLEY 'S' TYPE



Ref.	Part No.	Description	No off	Ref.	Part No.	Description	No off
(1)	UW.1553S/A	Board, blanking, rear seat	1	(8)	UW.1568S/A	PANEL, HEADREST, ASSY., TRIMMED, R.H.	1
(2)	UW.1091	Rubber strip, top, board to body	1		UW.1568	Board, end, assembly	1
(3)	UW.1092	Rubber strip, side, board to body	2		UW.1570	Board, headrest	1
(4)	UW.1093	Rubber strip, side, intermediate	2		UB.1720	Bracket, stiffener	1
(5)	UW.1094	Rubber strip, side, lower	2		UB.1540	Stay	2
(6)	UW.1095	Rubber strip, bottom	1		CS.30563/Z	Screw, stay and bracket to headrest	10
(7)	UW.1564S/A	SQUAB AND CENTRE ARMREST, COMPLETE	1		CS.30565/Z	Screw, stay and bracket to end board	8
	UW.1061S/A	Board, armrest, assembly	1		K.4404/Z	Washer, screws	18
	UW.1233	Board, base, armrest	1		K.4006/Z	Nut, screws	18
	RW.2958	Block, armrest	1		UW.1567S/A	PANEL, HEADREST, ASSY., TRIMMED, L.H.	1
	RB.2657	Guide, hinge	1			As above except:—	
	RB.4430	Hinge, assembly	1		UW.1567	Board, end, assembly	1
	UB.1607	Hinge and spring, assembly	1		UW.1569	Board, headrest	1
	UB.1480	Linkage, armrest, R.H.	1		UB.1721	Bracket, stiffener	1
	UB.1481	Linkage, armrest, L.H.	1		UA.5207/Z	Screw, headrest to body	6
	UA.3005/Z	Screw, base board to stay	8		CS.32070/Z	Washer, screw	6
	UA.1251/Z	Washer, screw	8	(9)	UW.1586S/A	PANEL, SIDE ARMREST, ASSY., R.H.	1
	UA.301/Z	Nut, screw	8		UW.1587S/A	PANEL, SIDE ARMREST, ASSY., L.H.	1
	UW.1168	Panel, plywood, armrest	1	(10)	UB.1780	Plate, headrest to armrest	2
	CS.32303	Pin, gimp, trimboard	4		CS.30543/Z	Screw, plate	3
	CS.35081/Z	Rivet, guide	2		K.4404/Z	Washer, screw	4
	UA.5204/Z	Screw, bracket to squab board	2		K.4006/Z	Nut, screw	4
	UA.5205/Z	Screw, bracket to squab board	2	(11)	UB.1781	Plate, armrest to "D" post, R.H.	1
	CS.32046/Z	Washer, screws	4		UB.1782	Plate, armrest to "D" post, L.H.	1
	CS.31604/Z	Screw, trim board	6		CS.31123/Z	Screw, armrest plates	12
	CS.31386/Z	Screw, trim board	2		K.1922/Z	Screw, armrest to wheel arch	4
	RB.2656	Spring, armrest	1		K.4452/Z	Washer, screw	4
	RB.4296	Spring, armrest hinge	2		K.4006/Z	Nut, screw	4
	UB.1660	Case, spring, armrest	1		CS.31121/Z	Screw, armrest leather to seat pan	6
	UB.1659	Case, spring, squab	1	(12)	UW.1658S/A	CUSHION, ASSEMBLY	1
	UA.5207/Z	Screw, squab and board to body	8		UB.1658	Case, spring	1
	CS.32070/Z	Washer, screw	8				

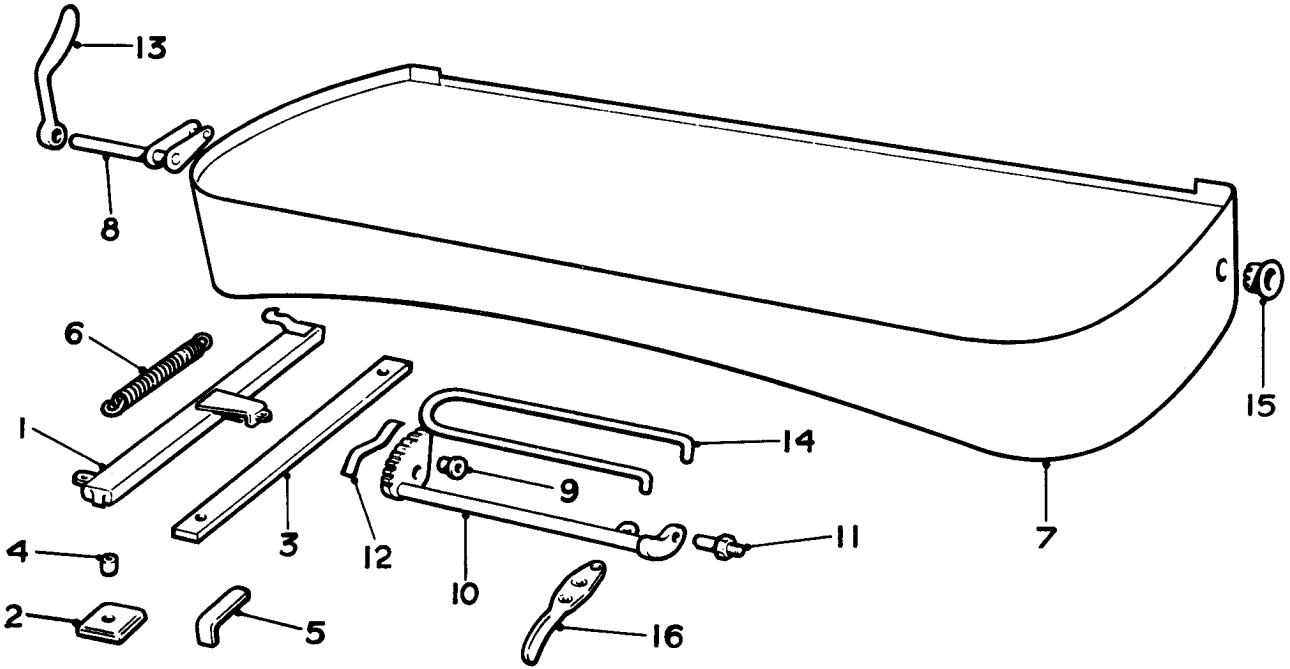
## REAR SEAT.

NOTE.—If hide cover only is required, quote S/A number and state "Hide panel covers fluted and sewn only." Also, colour of leather.



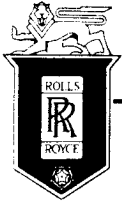
# SPARES schedule

SILVER CLOUD AND BENTLEY 'S' TYPE



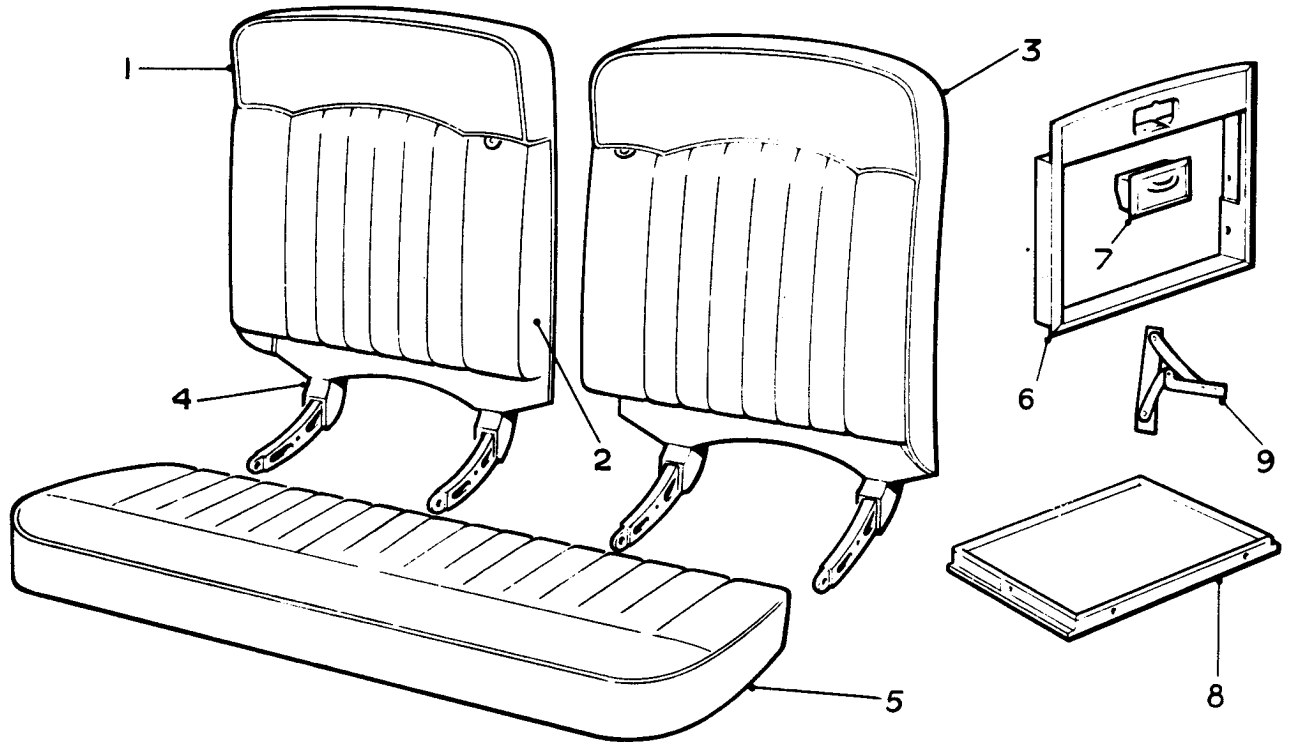
Ref.	Part No.	Description	No off	Ref.	Part No.	Description	No off
	UB.1538	<b>FRONT SEAT, COMPLETE ASSEMBLY</b>	1	(11)	UB.2009	Pin, swivel	4
(1)	UB.1526	Slide assembly, R.H.	1		K.4602/Z	Pin, split, swivel pin	4
	UB.1527	Slide assembly, L.H.	1		UA.1252/Z	Washer, swivel pin	4
(2)	UB.2128	Plate, reinforcing, floor	4		UA.352/Z	Nut, swivel pin	4
(3)	UW.1699	Block, mounting, slide to floor	2	(12)	UB.1624	Spring, quadrant return	1
(4)	UB.1935	Bush, mounting block	4		UW.1167	Panel, "Hessian"	1
	UB.2193	Bolt, slide to floor	4	(13)	UB.1518	Handle, rake, R.H.	1
	UW.1698	Block, mounting, slide to frame	2		UB.1519	Handle, rake, L.H.	1
(5)	UB.2108	Bracket, slide to frame	4		K.4710/Z	Pin, taper, handle	2
	CS.30583/Z	Screw, bracket to frame	4	(14)	UB.1575	Bar, torsion, rake adjust., R.H.	1
	K.4404/Z	Washer, screw	4		UB.1515	Bar, torsion, rake adjust, L.H.	1
	K.4006/Z	Nut, screw	4		UB.1586	Washer, rubber, torsion bar	2
	UA.4254/Z	Screw, slide to frame	4		K.4602/Z	Pin, split, torsion bar	4
	K.4407/Z	Washer, screw	4	(15)	UB.1692	Escutcheon, operating handle	2
	UA.301/Z	Nut, screw	4	(16)	UB.1508	Handle, assembly, seat slide	1
	UW.1824	Felt, seat slide	2		UB.1522	Bolt, pivot, handle	1
(6)	UB.1534	Spring, slide	2		UA.1253/Z	Washer, pivot bolt, .375 in.	1
(7)	UB.2004	<b>FRAME, ASSEMBLY</b>	1		UA.1251/Z	Washer, pivot bolt, .250 in.	As reqd.
	UB.1408	Frame assembly	1		UA.301/Z	Nut, pivot bolt	1
(8)	UB.1485	Shaft and levers, R.H.	1		UB.1521	Cable, seat slide	2
	UB.1511	Shaft and levers, L.H.	1		KC.152/Z	Screw, cable to handle	2
(9)	UB.2010	Ferrule, pivot	4		UB.1754	Sleeve, P.V.C., cable	2
	UA.105/Z	Bolt, pivot	4		UB.1520	Sleeve, steel, cable	2
	UA.1251/Z	Washer, pivot, lever	4		UD.1551	Clip, cable	2
	K.4413/Z	Washer, pivot, hinge	4		CS.30101/Z	Screw, clip	2
(10)	UB.2006	Quadrant assembly, R.H.	1		CS.32044/Z	Washer, screw	2
	UB.2005	Quadrant assembly, L.H.	1		CS.5506/Z	Nut, screw	2

**FRONT SEAT.  
BENCH TYPE.**



# SPARES schedule

SILVER CLOUD AND BENTLEY 'S' TYPE



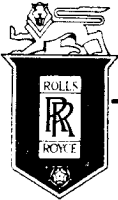
Ref.	Part No.	Description	No off	Ref.	Part No.	Description	No off
(1)	UW.1606S/A	SQUAB ASSY., COMPLETE R.H.	1		K.4419/Z	Washer, pivot, .500 in. x .128 in.	4
	UW.1606	SEAT BACK ASSEMBLY	1				(Alt.)
	UW.1604	Block, stiffening	1		UA.302/Z	Nut, bolt	4
	CS.31384/Z	Screw, block	2	(4)	UB.1792S/A	COVER, HINGE ARM, R.H.	1
	UB.1804	Plate, anchor, armrest	2		UB.1793S/A	COVER, HINGE ARM, L.H.	1
	KB.13822	Rivet, anchor plate	8		CS.31341/Z	Screw, cover to seat back	8
	UB.1846	Arm, hinge, assembly, R.H.	1	(5)	UB.1655S/A	CUSHION, SEAT, COMPLETE	1
	UB.1845	Arm, hinge, assembly, L.H.	1		UB.1655	Case, spring	1
	UA.110/Z	Bolt, arm to seat back	6	(6)	UW.1194	FACIA, ASSEMBLY, FALL TABLE	2
	UA.109/Z	Bolt, arm to seat back	2		CS.31386/E	Screw, facia to frame	8
	CS.32070/Z	Washer, plain, .625 in. O/D	8	(7)	UB.1612	ASHTRAY, FALL TABLE, COMPLETE	2
	KB.3905	Washer, plain, .750 in. O/D	2		UB.1606	Ashtray	2
	RB.2945	Washer, plain, 1.00 in. O/D	6		UW.1203	Finisher	2
	RE.16101	Nut, bolt	8		UB.1611	Handle	2
(2)	UW.1596S/A	ARMREST, ASSEMBLY	1		CS.30077/E	Screw, handle	4
	UW.1597	Board, base, assembly	1		CS.31101/E	Screw, ashtray to facia	4
	UB.1806	Linkage assembly, R.H.	1	(8)	UW.1206	TABLE, FALL, ASSEMBLY	2
	UB.1807	Linkage assembly, L.H.	1		RB.4864	Catch, ball	4
	UA.3804/Z	Screw, linkage to board	6		RE.10428	Plate, striker, catch	4
	UA.1251/Z	Washer, screw	6		CS.31101/E	Screw, striker plate	8
	UA.301/Z	Nut, screw	6		UB.1611	Handle, fall table	2
	CS.31385/Z	Screw, base to rest board	2		UW.1209	Sleeve, handle	4
	UW.1600	Pad, armrest	1		CS.30078/Z	Screw, handle	4
	UW.1601	Pad, moulded, armrest	1		RB.7267	Stop, fall table	4
	UA.3654/E	Screw, linkage to squab	3		RW.3593	Cushion, rubber, stop	4
	UA.3653/E	Screw, linkage to squab	1		CS.31344/Z	Screw, stop to table	8
	UW.1626	Stiffener, armrest	2	(9)	RB.7236	LINKS, ASSY., COMPLETE, R.H.	2
	UB.1810	Valance, armrest, R.H.	1		RB.7237	LINKS, ASSY., COMPLETE, L.H.	2
	UB.1809	Valance, armrest, L.H.	1		CS.31345/E	Screw, links	24
	CS.31344/Z	Screw, valance	5				
	UW.1603	Stop, armrest	1				
	UB.1813	Case, spring, squab	1				
(3)	UW.1605S/A	SQUAB, ASSY., COMPLETE, L.H.	1				
		As for R.H. except :-					
	UW.1605	SEAT BACK ASSEMBLY	1				
	UW.1603	Block, stiffening	1				
	UB.1812	Case, spring, squab	1				
	UB.1501	Bolt, pivot, hinge arm	4				
	UA.1252/Z	Washer, pivot	As reqd.				
	UB.1751	Washer, pivot, .500 in. x .118 in.	4				

## FRONT SEATS.

### BENCH TYPE.

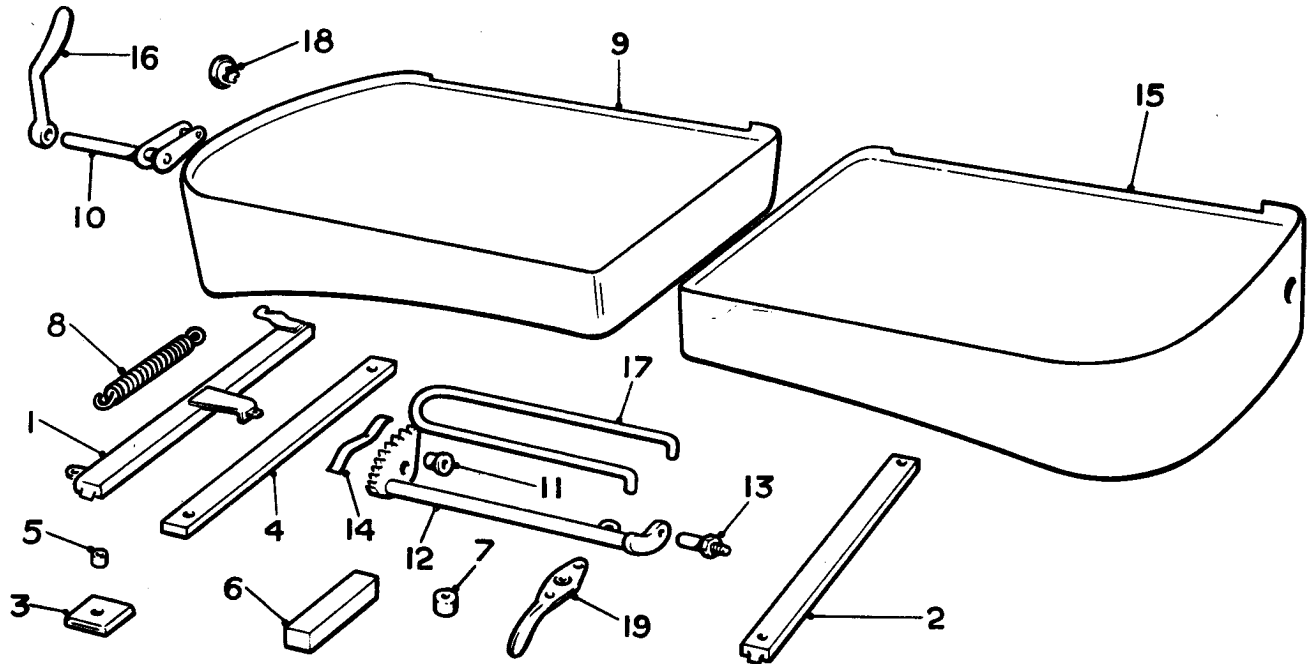
(Continued)

NOTE.—If hide cover only is required, quote S/A number and state "Hide panel covers fluted and sewn only." Also, colour of leather.



# SPARES schedule

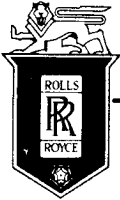
SILVER CLOUD AND BENTLEY 'S' TYPE



Ref.	Part No.	Description	No off	Ref.	Part No.	Description	No off
	UB.2094	<b>FRONT SEAT, COMPLETE</b>		(13)	UB.2009	Pin, swivel, quadrant	2
		ASSEMBLY, R.H.	1		K.4602/Z	Pin, split, swivel pin	2
	UB.2093	<b>FRONT SEAT, COMPLETE</b>			UA.1252/Z	Washer, swivel pin	2
		ASSEMBLY, L.H.	1		UA.352/Z	Nut, swivel pin	2
(1)	UB.1526	Slide assembly, outer, R.H.	1	(14)	UB.1624	Spring, quadrant return	1
	UB.1527	Slide assembly, outer, L.H.	1		UW.1167	Panel, "Hessian"	1
(2)	UB.1760	Slide, assembly, inner	2	(15)	UB.2091	<b>FRAME, SEAT, ASSY., L.H.</b>	1
(3)	UB.2128	Plate, reinforcing outer slides	4			As for R.H. except :-	
(4)	UW.1699	Block, mounting, outer slides	2		UB.2022	Frame assembly	1
(5)	UB.1935	Bush, mounting block	4		UB.1511	Shaft and lever assembly	1
	RF.3537	Piece, packing, inner slides	4		UB.2005	Quadrant assembly	1
	UB.2193	Bolt, outer slides to floor	4	(16)	UB.1518	Handle, rake adjust, R.H.	1
	UG.1422	Screw, inner slides to floor	4		UB.1519	Handle, rake adjust, L.H.	1
(6)	UW.1667	Block, mounting, outer slide to frame	2		K.4710	Pin, taper, handle	2
(7)	UB.2437	Piece, distance, outer slide, .750 in.	4	(17)	UB.1575	Bar, torsion, rake adjust, R.H.	1
	UB.2090	Piece, distance, outer slide, 1.00 in.	4		UB.1515	Bar, torsion, rake adjust, L.H.	1
			(Alt)		UB.1586	Washer, rubber, torsion bar	2
	UA.109/Z	Screw, slide, 1.375 in.	4		K.4602/Z	Pin, split, torsion bar	4
	UA.110/Z	Screw, slide, 1.500 in.	4	(18)	UB.1692	Escutcheon, handle	2
			(Alt)	(19)	UB.2139	Handle, assembly, slide, R.H.	1
	UA.101/Z	Screw, inner slide	2		UB.2089	Handle, assembly, slide, L.H.	1
	UA.102/Z	Screw, inner slide	2		UB.1522	Bolt, pivot, handle	2
	K.4407/Z	Washer, screws	8		UA.1253/Z	Washer, .375 in., bolt	2
	UA.301/Z	Nut, screws	6		UA.1251/Z	Washer, .250 in., bolt	As reqd.
	UW.1824	Felt, seat slide	2		UA.301/Z	Nut, pivot bolt	2
(8)	UB.1534	Spring, seat slide	2		UB.1521	Cable, seat slide	2
(9)	UB.2092	<b>FRAME, SEAT, ASSEMBLY, R.H.</b>	1		KC.152/Z	Screw, cable to handle	2
	UB.1724	Frame, assembly	1		UB.1754	Sleeve, P.V.C. cable	2
(10)	UB.1485	Shaft and levers assembly	1		UB.1520	Sleeve, stud, cable	2
(11)	UB.2010	Ferrule, pivot	2				
	UA.105/Z	Bolt, pivot	2				
	UA.1251/Z	Washer, pivot	2				
	K.4413/Z	Washer, pivot, quadrant to hinge	2				
(12)	UB.2006	Quadrant assembly	1				

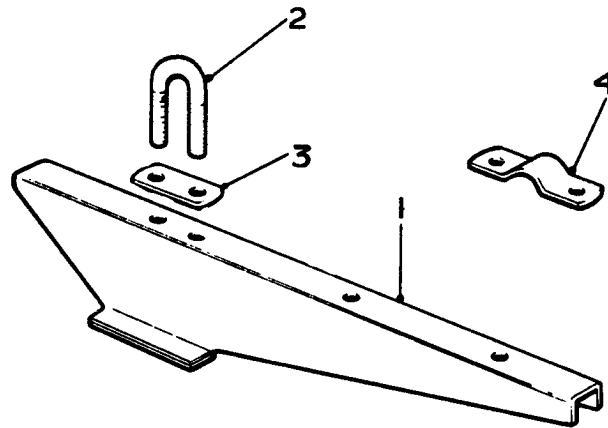
**FRONT SEATS.  
(INDIVIDUAL)**





# SPARES schedule

SILVER CLOUD AND BENTLEY 'S' TYPE



Ref.	Part No.	Description	No off
(1)	UB.2429	Plate, reinforcement, rear seats	2
	UB.2712	Safety belts, rear seats	2
(2)	UB.2427	"U" Bolt, safety belt, rear seats	4
(3)	UB.2428	Retaining plate	4
	UB.2424	Stiffener, hinge, safety belt, front seat	2
(4)	UB.2425	Shackle, front seat belt	4
	UB.2656	Safety belt, front seats	2
	UA.154/Z	Bolt, shackle and reinforcement plate	12
	UA.302/Z	Nut, shackle and "U" bolt	16
	UA.1252/Z	Washer, nut	16

## SAFETY BELTS.