

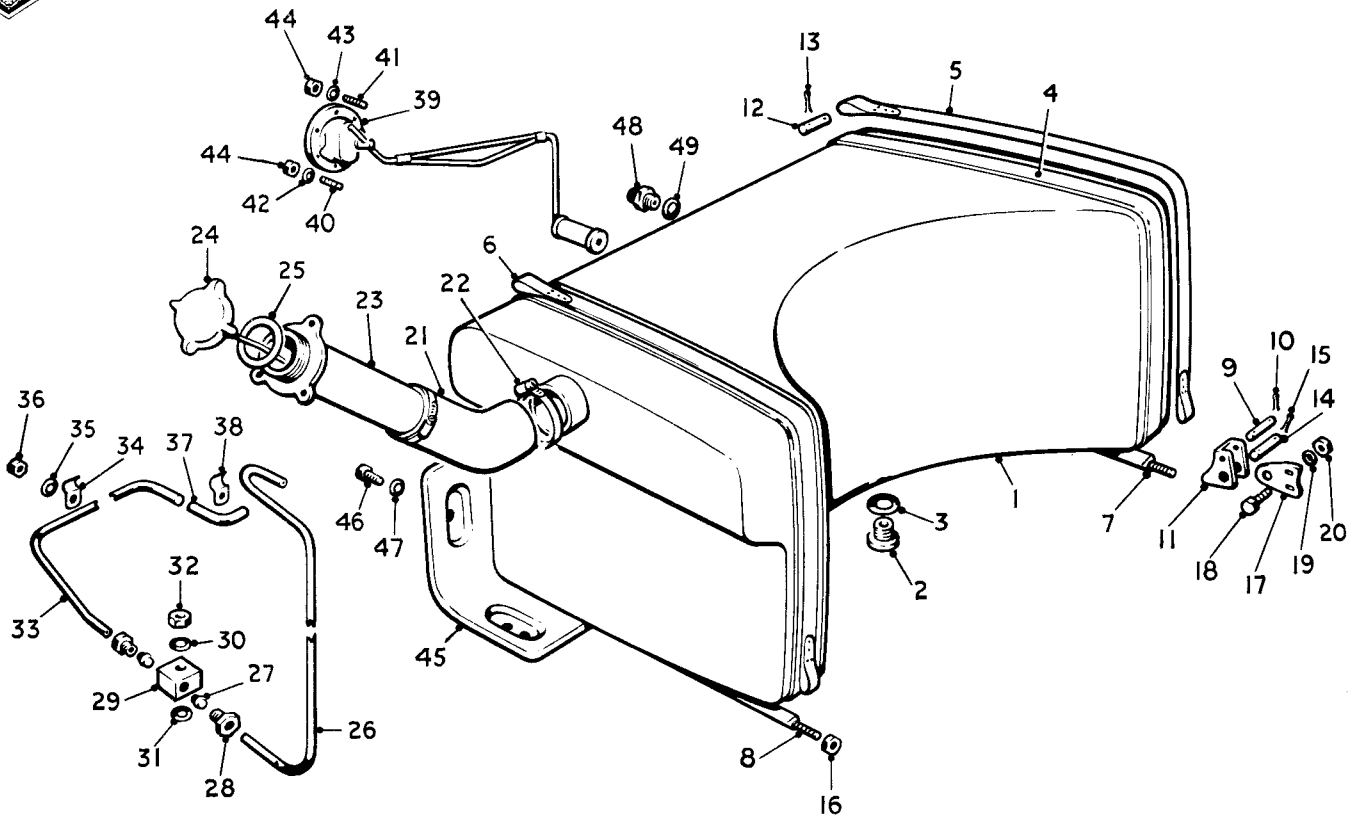
SECTION C
FUEL AND CARBURATION

| Title | Assembly | Page No. |
|----------------------|------------------------------------|----------|
| FUEL TANK | STANDARD CARS | C. 1 |
| | 'CONTINENTAL' CARS | C. 2 |
| REAR FILTER | | C. 3 |
| FUEL PIPES | | C. 4 |
| FUEL PUMPS | | C. 5 |
| CARBURETTERS | 1 $\frac{3}{4}$ " BORE | C. 6 |
| | 2" BORE | C. 7 |
| | 2" BORE | C. 8 |
| INDUCTION COVER | 1 $\frac{3}{4}$ "BORE CARBURETTERS | C. 9 |
| | 2" BORE CARBURETTERS | C. 10 |
| AUTOMATIC CHOKE | | C. 11 |
| AIR INTAKES | | C. 12 |
| AIR SILENCERS | STANDARD TYPE WITH CLEANER | C. 13 |
| | 'CONTINENTAL' CARS | C. 14 |
| | SPECIAL PURPOSE | C. 15 |
| | SPECIAL PURPOSE | C. 16 |
| AIR CLEANER | OIL BATH TYPE | C. 17 |
| | PUROLATOR TYPE | C. 17 |
| CARBURETTER CONTROLS | (R.C.) | C. 18 |
| | | C. 19 |
| | (L.C.) | C. 20 |
| | | C. 21 |
| ACCELERATOR PEDAL | (R.C.) | C. 22 |
| | (L.C.) | C. 23 |



SPARES schedule

SILVER CLOUD AND BENTLEY 'S' TYPE



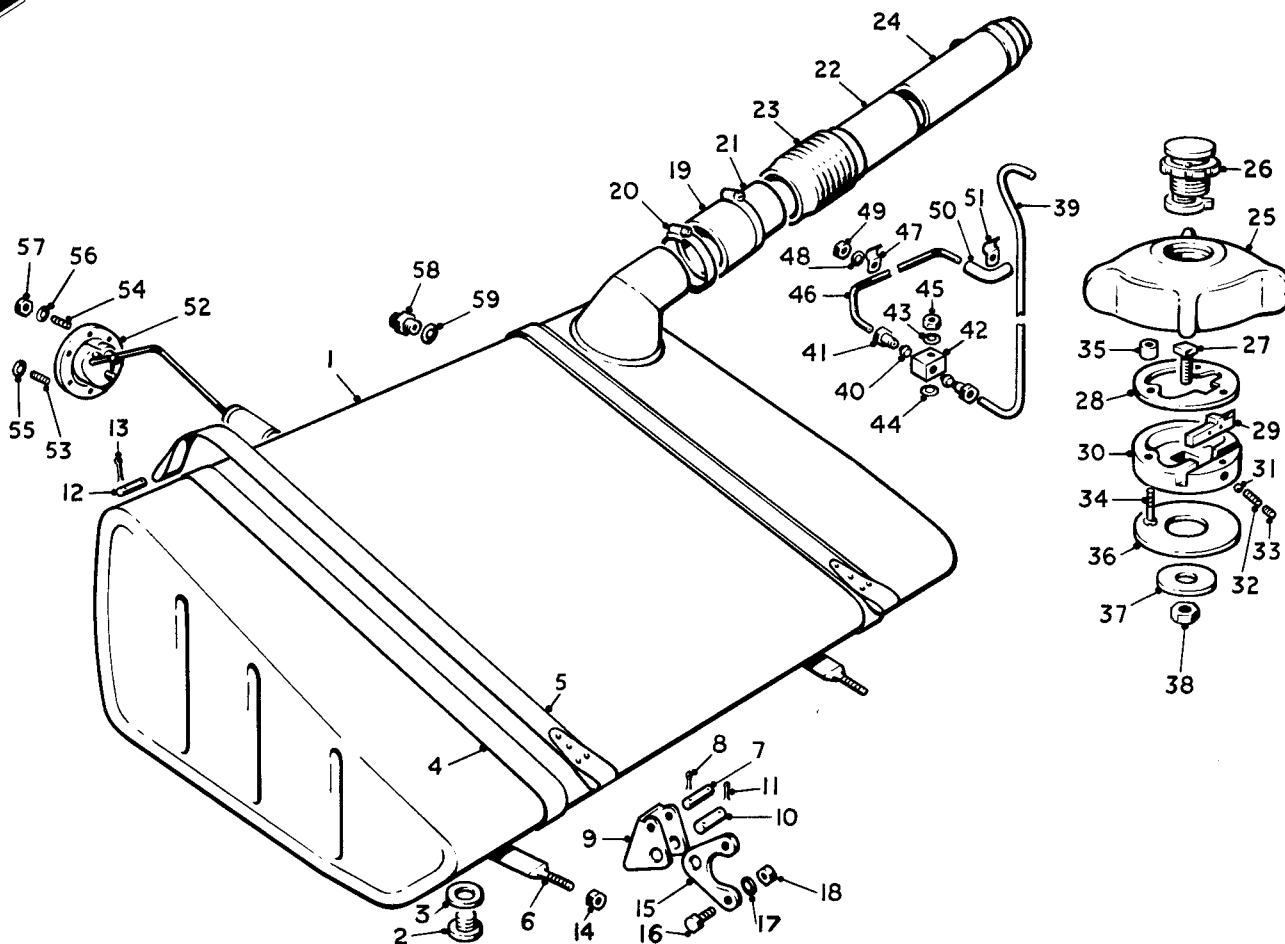
| Ref. | Part No. | Description | No off | Ref. | Part No. | Description | No off |
|------|-----------|-------------------------------|------------|------|-----------|---------------------------------------|--------|
| (1) | UR.387 | TANK, PETROL. ASSEMBLY | 1 | (24) | UR.425 | Cap, filler | 1 |
| | | | (Standard) | (25) | UR.432 | Washer, sealing | 1 |
| (2) | UR.375 | Plug, drain | 1 | (26) | UR.442 | Pipe, breather, filler to junction | 1 |
| (3) | KB.1093 | Washer, plug | 1 | (27) | RF.6783 | Sleeve, compression | 2 |
| (4) | UR.337 | Packing, straps | 2 | (28) | UR.2541 | Bush, threaded | 2 |
| (5) | UR.328 | Strap, top, R.H. | 1 | (29) | UR.2778 | Junction, two-way | 1 |
| (6) | UR.329 | Strap, top, L.H. | 1 | (30) | UA.1251/Z | Washer, .250", junction | 1 |
| (7) | UR.324 | STRAP, ASSY., BOTTOM R.H. | 1 | (31) | UA.1253/Z | Washer, .375", junction | 1 |
| (8) | UR.326 | STRAP, ASSY., BOTTOM L.H. | 1 | (32) | UA.351/Z | Nut, .250", junction | 1 |
| (9) | UR.334 | Tube, support, straps | 4 | (33) | UR.1663 | Pipe, breather, junction to extension | 1 |
| (10) | K.4602/Z | Pin, split, support tubes | 8 | (34) | UR.1667 | Clip, pipe | 6 |
| (11) | UR.331 | Shoe, support, rear | 2 | (35) | K.4404/Z | Washer, clip | 6 |
| (12) | UR.334 | Tube, support straps, rear | 2 | (36) | K.4307/Z | Nut, clip | 6 |
| (13) | K.4602/Z | Pin, split, support tube | 4 | (37) | RF.6389 | Extension, breather pipe | 1 |
| (14) | UR.335 | Tube, support straps, rear | 2 | (38) | RF.3549 | Clip | 1 |
| (15) | K.4608/Z | Pin, split, support tube | 4 | (39) | UR.358 | GAUGE, ELECTRIC, ASSY. | 1 |
| (16) | UA.351/Z | Nut, .250", strap adjustment | 4 | (40) | KB.249/Z | Stud, gauge | 5 |
| (17) | UR.3365 | Bracket, intermediate | 4 | (41) | KB.201/Z | Stud, gauge | 1 |
| (18) | UA.102/Z | Bolt, inter. bracket | 8 | (42) | K.4446/Z | Washer, gauge | 7 |
| (19) | UA.6102/Z | Washer, bolt | 16 | (43) | RE.3658 | Washer, earth strip | 1 |
| (20) | UA.351/Z | Nut, bolt | 8 | (44) | K.4304/Z | Nut, gauge | 6 |
| (21) | UR.431 | Hose, filler tube | 1 | (45) | UR.424 | Guard, stone | 1 |
| (22) | RE.6739 | Clip, hose | 2 | (46) | KC.151/Z | Setscrew, guard | 4 |
| (23) | UR.2775 | TUBE, FILLER, ASSEMBLY, with, | 1 | (47) | K.4404/Z | Washer, setscrew | 4 |
| | UR.430 | Bolt, eye | 1 | (48) | UR.3257 | Union, suction pipe | 1 |
| | RF.4262 | Cable | 1 | (49) | RE.16376 | Washer, union | 1 |
| | RF.4263 | Nipple | 2 | | | | |

FUEL TANK



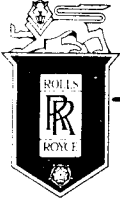
SPARES schedule

SILVER CLOUD AND BENTLEY 'S' TYPE



| Ref. | Part No. | Description | No off | Ref. | Part No. | Description | No off |
|------|-----------|---|--------|------|-----------|---------------------------------------|--------|
| (1) | UR.1982 | TANK, FUEL, ASSEMBLY (Continental and Mulliner bodies) | 1 | | | | |
| (2) | UR.375 | Plug, drain | 1 | (25) | RF.9201 | Cap | 1 |
| (3) | KB.1093 | Washer, plug | 1 | (26) | RF.9214 | Lock, assembly | 1 |
| (4) | UR.2052 | Packing, straps | 2 | (27) | RF.9207 | Bolt, seal | 1 |
| (5) | UR.2048 | Strap, top | 2 | (28) | RF.9203 | Stop, plate, bolt | 1 |
| (6) | UR.2050 | STRAP, ASSEMBLY, BOTTOM | 2 | (29) | RF.9205 | Striker | 1 |
| (7) | UR.2049 | Tube, support, straps | 4 | (30) | RF.9204 | Housing, striker | 1 |
| (8) | K.4603/Z | Pin, split, tube | 8 | (31) | RF.6907 | Ball, locating | 1 |
| (9) | UR.2054 | Shoe, support, rear | 2 | (32) | RF.9290 | Spring, ball | 1 |
| (10) | UR.334 | Tube, support, straps, rear | 2 | (33) | RF.9291 | Screw, spring | 1 |
| (11) | K.4603/Z | Pin, split, tube | 3 | (34) | K.2719/Z | Screw, housing | 3 |
| (12) | UR.335 | Tube, support, straps rear | 2 | (35) | RF.9202 | Distance piece | 1 |
| (13) | K.4608/Z | Pin, split, tube | 4 | (36) | RF.9209 | Washer, seal | 1 |
| (14) | UA.351/Z | Nut, strap adjustment | 4 | (37) | RF.9210 | Washer, retaining | 1 |
| (15) | UR.2055 | Bracket, intermediate | 4 | (38) | K.4310/Z | Nut, bolt | 1 |
| (16) | UA.102/Z | Bolt, inter. bracket | 8 | (39) | UR.442 | Pipe, breather, filler to junction | 1 |
| (17) | UA.6102/Z | Washer, bolt | 16 | (40) | RF.6783 | Sleeve, compression | 2 |
| (18) | UA.351/Z | Nut, bolt | 8 | (41) | UR.2541 | Bush, threaded | 2 |
| (19) | RF.8176 | Hose, filler tube | 1 | (42) | UR.2778 | Junction, two-way | 1 |
| (20) | RE.6739 | Clip, hose | 2 | (43) | UA.1251/Z | Washer, .250", junction | 1 |
| (21) | UR.2081 | Tube, filler, lower | 1 | (44) | UA.1253/Z | Washer, .375", junction | 1 |
| (22) | UR.2082 | Tube, filler, upper | 1 | (45) | UA.351/Z | Nut, .250", junction | 1 |
| (23) | FB.2447 | Connection, tubes | 1 | (46) | UR.2143 | Pipe, breather, junction to extension | 1 |
| (24) | UR.426 | TUBE, FILLER, ASSEMBLY, with | 1 | (47) | UR.1667 | Clip, pipe | 6 |
| | UR.430 | Bolt, eye | 1 | (48) | K.4404/Z | Washer, clip | 6 |
| | RF.4262 | Cable | 1 | (49) | K.4307/Z | Nut, clip | 6 |
| | RF.4263 | Nipple | 2 | (50) | RF.6389 | Extension, breather pipe | 1 |
| | UR.2067 | TUBE, FILLER, ASSEMBLY, with | 1 | (51) | RF.3549 | Clip, extension | 1 |
| | RF.4262 | Cable | 1 | (52) | UR.2053 | GAUGE, ELECTRIC, ASSEMBLY | 1 |
| | RF.4263 | Nipple | 2 | (53) | KB.249/Z | Stud, gauge | 5 |
| | RF.9208 | Nut, cap, cable | 1 | (54) | KB.201/Z | Stud, gauge | 1 |
| | | (When petrol filler lock is fitted) | | (55) | K.4446/Z | Washer, stud | 7 |
| | | | | (56) | RE.3658 | Washer, gauge earth strip | 1 |
| | | | | (57) | K.4304/Z | Nut, stud | 6 |
| | | | | (58) | UR.3257 | Union, suction pipe | 1 |
| | | | | (59) | RE.16376 | Washer, union | 1 |

FUEL TANK

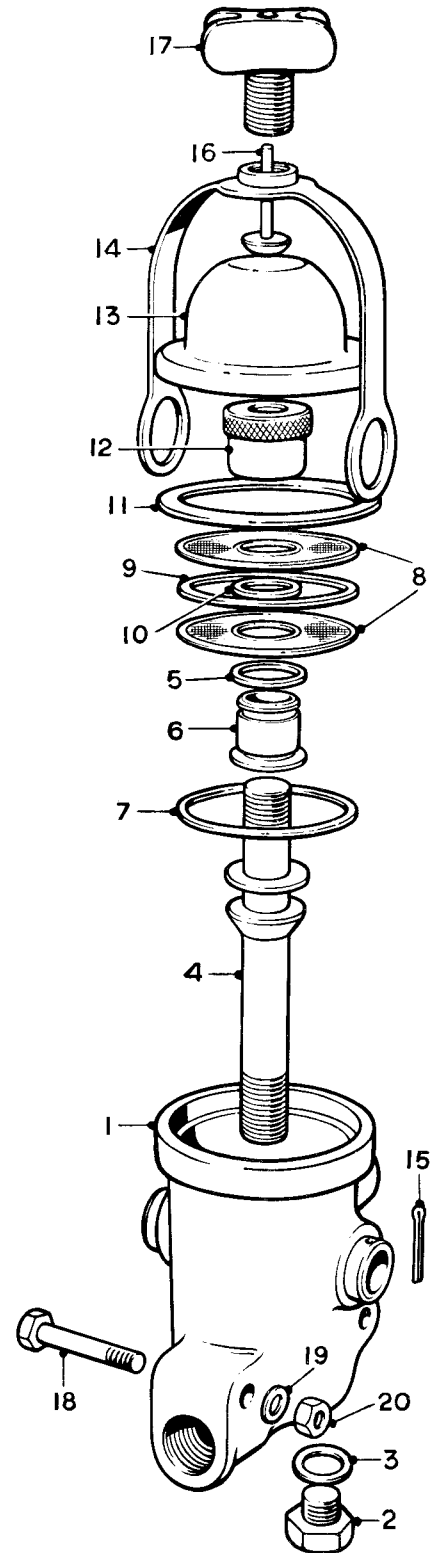


SPARES schedule

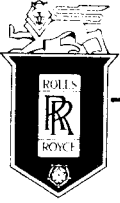
SILVER CLOUD AND BENTLEY 'S' TYPE



| Ref. | Part No. | Description | No off |
|------|-----------|-----------------------------|--------|
| | UR.3009 | FILTER, PETROL, ASSEMBLY | 1 |
| (1) | UR.791 | Body | 1 |
| (2) | UA.2251/Z | Plug, drain | 1 |
| (3) | KB.1096 | Joint, Plug | 1 |
| (4) | UR.802 | Tube, centre, assembly | 1 |
| (5) | UR.794 | Washer, sealing, .750" O/D | 2 |
| (6) | UR.799 | Sleeve, removal | 1 |
| (7) | UR.795 | Washer, sealing, 1.800" O/D | 1 |
| (8) | F.86423 | Gauze, filter | 2 |
| (9) | UR.798 | Washer, spacing, 1.800" O/D | 1 |
| (10) | UR.797 | Washer, spacing, .750" O/D | 1 |
| (11) | UR.796 | Washer, sealing, 2.050" O/D | 1 |
| (12) | UR.793 | Nut, retaining | 1 |
| (13) | UR.792 | Cover, filter | 1 |
| (14) | UR.807 | Strap, cover | 1 |
| (15) | K.4603/Z | Pin, split, strap | 2 |
| (16) | UR.1469 | Piece, centre, screw | 1 |
| (17) | UR.806 | Screw, strap | 1 |
| (18) | UA.109/Z | Bolt, filter fixing, | 2 |
| (19) | UA.1251/Z | Washer, bolt | 2 |
| (20) | UA.301/Z | Nut, bolt | 2 |

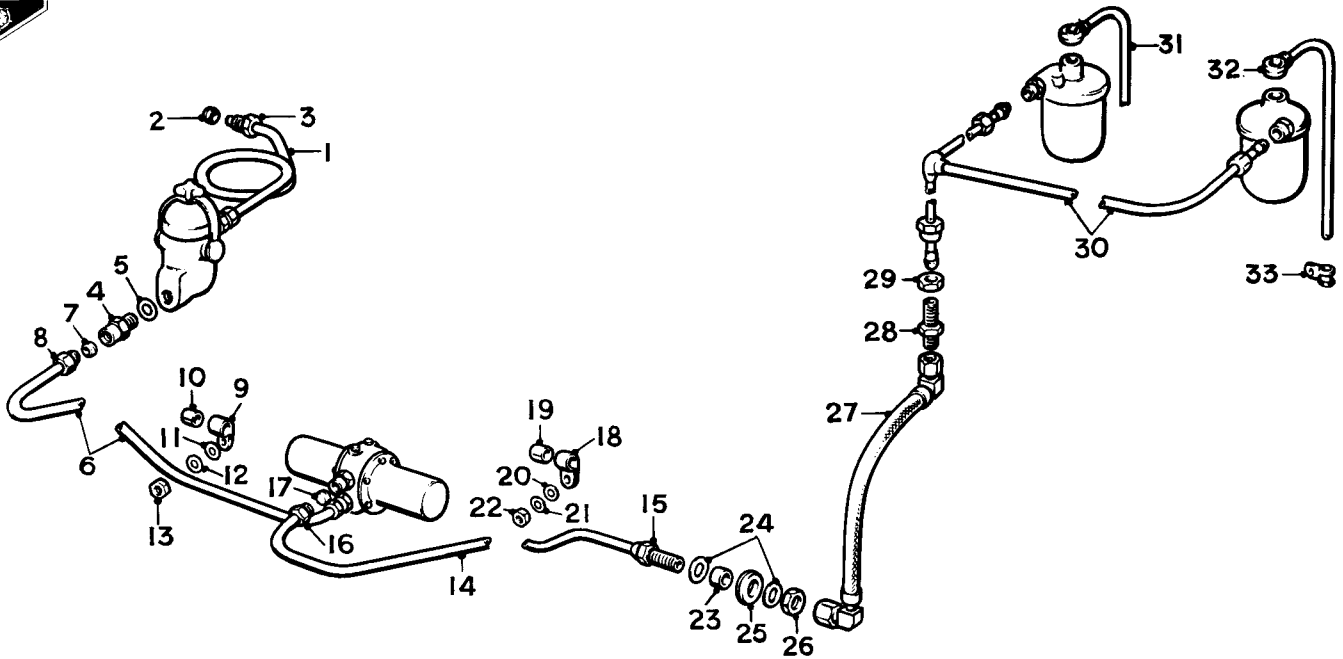


FUEL SECTION FILTER



SPARES schedule

SILVER CLOUD AND BENTLEY 'S' TYPE



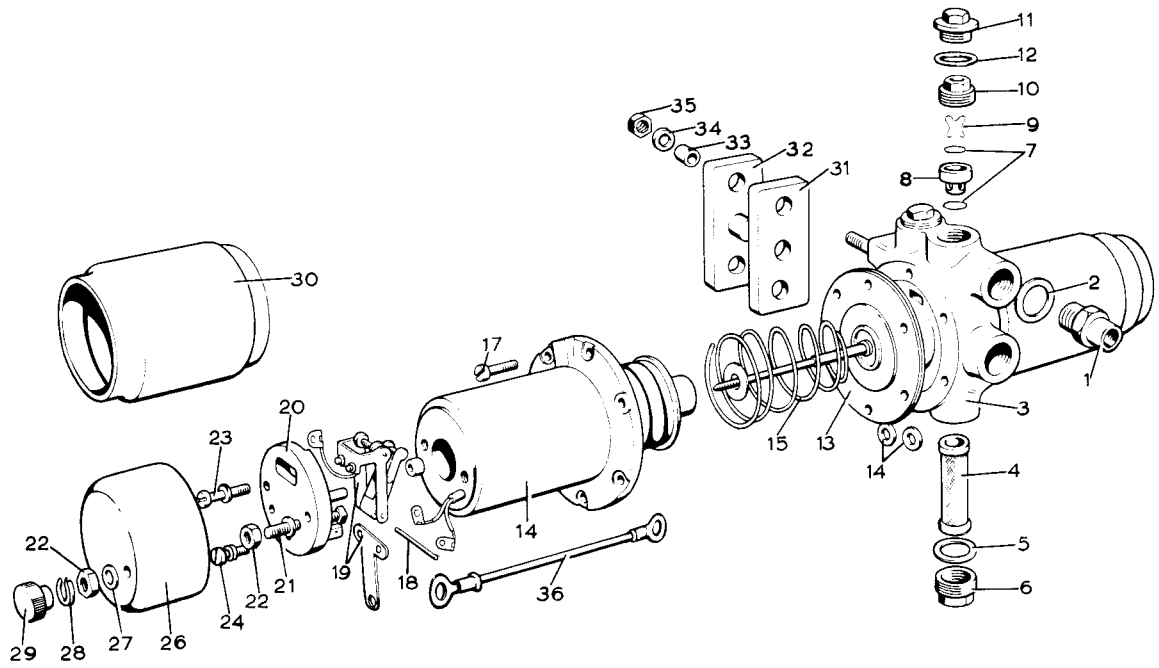
| Ref. | Part No. | Description | No off |
|------|-----------|--------------------------------|----------------------------|
| (1) | UR.3253 | Pipe, tank to filter | 1 — Standard |
| | UR.3256 | Pipe, tank to filter | 1 — "Continental" only. |
| (2) | KB.3004 | Sleeve, compression | 2 |
| (3) | UR.3262 | Nut, tube | 2 |
| (4) | UR.3257 | Union, pipes to filter | 2 |
| (5) | RE.16376 | Joint, union | 2 |
| (6) | UR.3254 | Pipe, filter to pump | 1 — All cars except L.W.B. |
| | UR.3826 | Pipe, filter to pump | 1 — L.W.B. only |
| (7) | KB.3004 | Sleeve, compression | 2 |
| (8) | UR.3262 | Nut, tube | 2 |
| (9) | RF.3332 | Clip, pipe | 3 |
| (10) | UR.853 | Insulation, clip | 3 |
| (11) | K.4404/Z | Washer, .200", clip | 3 |
| (12) | UA.1252/Z | Washer, .312", clip | 3 |
| (13) | K.4307/Z | Nut, clip | 3 |
| (14) | UR.3255 | Pipe, pump to bracket assembly | 1 |
| (15) | UR.3261 | Connector | 1 |
| (16) | UR.3262 | Nut, tube | 1 |
| (17) | KB.3004 | Sleeve, compression | 1 |
| (18) | RF.3332 | Clip, pipe | 3 |
| (19) | UR.853 | Insulation, clip | 3 |
| (20) | K.4404/Z | Washer, .200", clip | 3 |
| (21) | UA.1252/Z | Washer, .312", clip | 3 |
| (22) | K.4307/Z | Nut, clip | 3 |
| (23) | UR.2660 | Piece, distance, pipe | 1 |
| (24) | UR.2658 | Washer, pipe to bracket | 2 |
| (25) | UR.2657 | Grommet, pipe | 1 |
| (26) | UR.3259 | Nut, lock, connector | 1 |
| (27) | UE.2078 | Pipe, flexible | 1 |
| (28) | UE.723 | Union, flexible pipe | 1 |
| (29) | UE.722 | Nut, lock, pipe | 1 |
| (30) | UE.1984 | Pipe, petrol feed, assembly | 1 |
| (31) | UE.2853 | Pipe, drain, rear carb. | 1 |
| (32) | UE.2851 | Pipe, drain, front carb. | 1 |
| (33) | RE.14770 | Clip, drain pipe | 4 |

FUEL SECTION PIPES



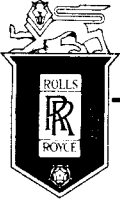
SPARES schedule

SILVER CLOUD AND BENTLEY 'S' TYPE



| | | | | | | | |
|------|----------------|-------------------------------|----------|------|----------|---------------------------------|---|
| | UD.1327 | PUMP, PETROL, ASSEMBLY | 1 | | | | |
| (1) | UR.3257 | Union, pipes | 2 | (19) | CD.237 | Arm, rocker, assembly | 2 |
| (2) | RE.16376 | Washer, union | 2 | (20) | RD.7527 | Moulding, end plate | 2 |
| (3) | CD.268 | Body | 1 | (21) | RD.8072 | Bolt, terminal | 2 |
| (4) | CD.263 | Filter | 2 | (22) | R.3973 | Nut, terminal | 4 |
| (5) | RD.6232 | Washer, fibre | 2 | (23) | R.3974 | Screw, moulding | 4 |
| (6) | RD.7509 | Plug | 2 | (24) | R.3971 | Screw, contact to moulding | 2 |
| (7) | CD.264 | Disc, valve | 2 | (25) | K.3801/Z | Washer, screw | 2 |
| (8) | CD.243 | Cage, valve | 2 | (26) | CD.262 | Cover, end | 2 |
| (9) | CD.242 | Clip, spring | 2 | (27) | K.4405/Z | Washer, terminal | 2 |
| (10) | CD.244 | Plug, cage | 2 | (28) | K.3803/Z | Washer, terminal bolt | 2 |
| (11) | CD.245 | Plug, top | 2 | (29) | DB.440 | Nut, assembly | 2 |
| (12) | D.75967 | Washer, plug | 2 | (30) | DW.554 | Cover, rubber | 2 |
| (13) | RD.6881 | Diaphragm assembly | 2 | (31) | RD.4006 | Block, pump mounting | 1 |
| (14) | CD.247 | Roller, diaphragm | 4 | (32) | RD.4007 | Block, pump mounting, inside | 1 |
| (15) | CD.240 | Spring, diaphragm | 2 | (33) | RD.4005 | Sleeve, pump mounting | 2 |
| (16) | DB.1942 | Housing, coil | 2 | (34) | K.9009/Z | Washer, pump mounting | 2 |
| (17) | RD.7512 | Screw, housing | 12 | (35) | UA.352/Z | Nut, pump mounting | 2 |
| (18) | R.3970 | Pin, rocker retaining | 2 | (36) | UD.1535 | Strip, earthing, pump, assembly | 1 |

FUEL SECTION PUMP

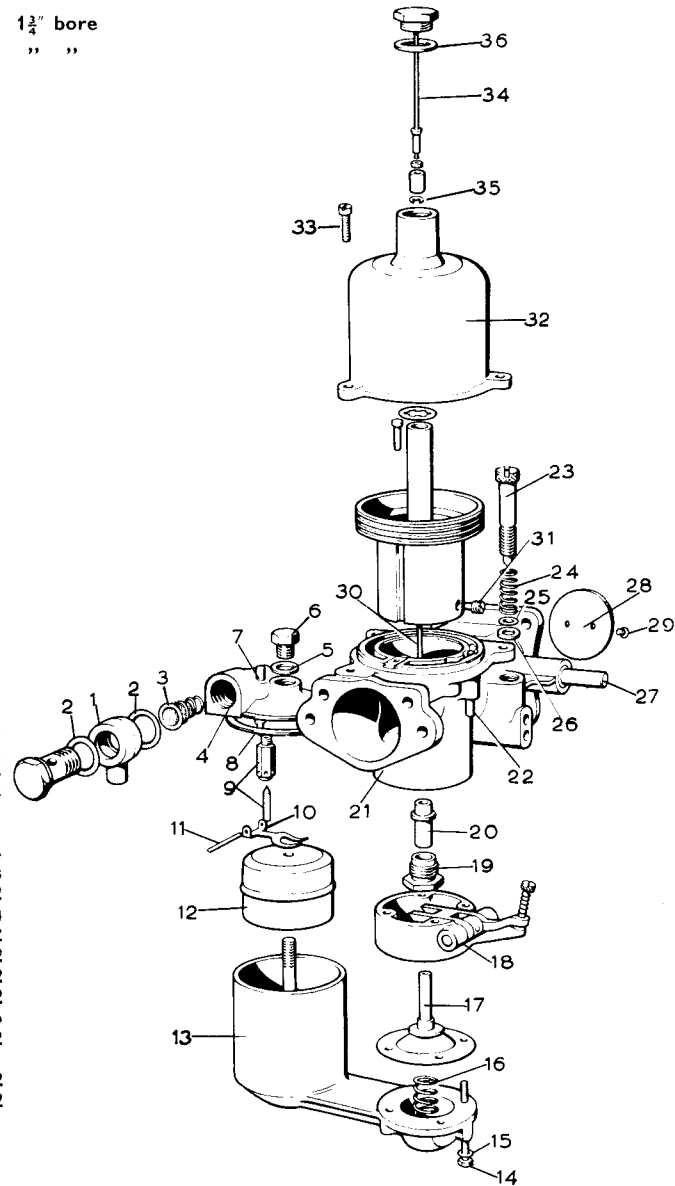


SPARES schedule

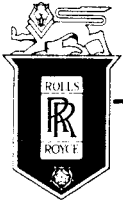
SILVER CLOUD AND BENTLEY 'S' TYPE



| | | | | |
|------|----------|--------------------------------------|---|-------------|
| — | UE.2910 | CARBURETTER, FRONT, ASSEMBLY | 1 | 1 1/2" bore |
| — | UE.2909 | CARBURETTER, REAR, ASSEMBLY | 1 | " " |
| (1) | UE.2907 | Union, petrol feed | 2 | |
| (2) | RE.20597 | Washer, union | 2 | |
| (3) | CD.509 | Filter, union | 2 | |
| (4) | CD.512 | Lid, float chamber, front | 1 | |
| — | CD.513 | Lid, float chamber, rear | 1 | |
| (5) | RE.7289 | Washer, cap nut | 2 | |
| (6) | RE.8383 | Nut, cap | 2 | |
| (7) | RE.7284 | Pin, tickler | 2 | |
| — | RE.7293 | Spring, pin | 2 | |
| — | CD.529 | Washer, brass, pin | 2 | |
| — | CD.531 | Washer, Neoprene, pin | 2 | |
| — | RE.8382 | Pin, split, tickler | 2 | |
| (8) | RE.7283 | Washer, float chamber lid | 2 | |
| (9) | CD.521 | Seating and needle | 2 | |
| (10) | RE.7290 | Lever, hinged | 2 | |
| (11) | CD.515 | Pin, lever | 2 | |
| (12) | RE.7286 | Float | 2 | |
| (13) | CD.505 | Chamber, float, assembly | 2 | |
| — | UE.2609 | Bracket, assembly, front carburetter | 1 | |
| (14) | CD.501 | Bolt, float chamber | 8 | |
| (15) | CD.528 | Washer, bolt | 8 | |
| (16) | CD.525 | Spring, jet | 2 | |
| (17) | CD.511 | Jet, assembly | 2 | |
| (18) | CD.510 | Housing, jet | 2 | |
| (19) | CD.519 | Screw, jet | 2 | |
| (20) | CD.502 | Bearing, jet | 2 | |
| (21) | CD.503 | Body, carburetter | 2 | |
| (22) | CD.516 | Pin, piston, lift | 2 | |
| — | CD.524 | Spring, pin | 2 | |
| — | CD.529 | Washer, brass, pin | 2 | |
| — | CD.531 | Washer, Neoprene, pin | 2 | |
| — | RE.8382 | Pin, split, pin | 2 | |
| (23) | CD.527 | Valve, slow run | 2 | |
| (24) | CD.526 | Spring, gland, valve | 2 | |
| (25) | CD.530 | Washer, brass, valve | 2 | |
| (26) | CD.532 | Washer, Neoprene, valve | 2 | |
| (27) | CD.522 | Spindle, throttle, front carb. | 1 | |
| — | CD.523 | Spindle, throttle, rear carb. | 1 | |
| — | CD.520 | Seal, spindle | 4 | |
| — | CD.504 | Cap, seal | 4 | |
| (28) | RE.14734 | Disc, throttle | 2 | |
| (29) | RE.8409 | Screw, disc | 4 | |
| (30) | UE.2914 | Needle, jet, (T.A.) | 2 | |
| — | UE.2915 | Needle, jet, (T.C.), O.B Air Cleaner | 2 | |
| (31) | CD.517 | Screw, needle | 2 | |
| (32) | CD.506 | Chamber, suction | 2 | |
| (33) | CD.518 | Screw, chamber to body | 6 | |
| (34) | RE.15871 | DAMPER ASSEMBLY | 2 | |
| (35) | RE.14737 | Circlip | 1 | |
| (36) | CD.129 | Washer, damper cap | 2 | |
| — | RE.10620 | Joint, carburetter to air intake | 2 | |



CARBURETTER

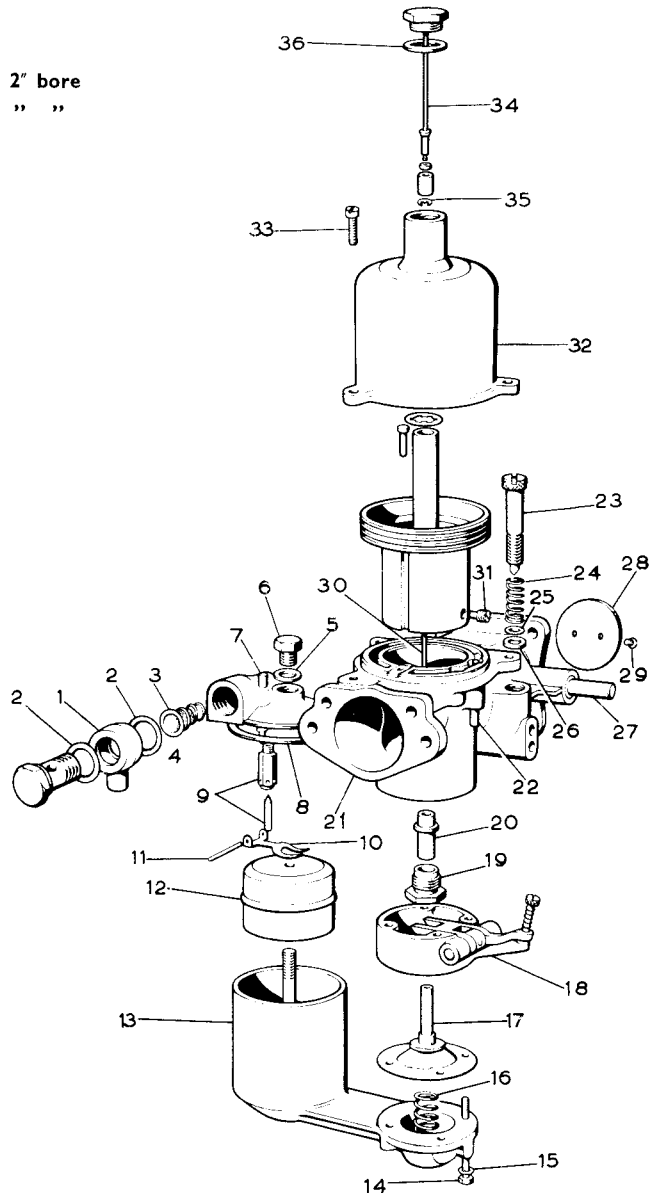


SPARES schedule

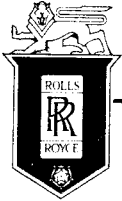
SILVER CLOUD AND BENTLEY 'S' TYPE



| | | | | |
|------|----------|--------------------------------------|---|---------|
| — | UE.2717 | CARBURETTER, FRONT, ASSEMBLY | 1 | 2" bore |
| — | UE.2718 | CARBURETTER, REAR, ASSEMBLY | 1 | " " |
| (1) | UE.2907 | Union, petrol feed | 2 | |
| (2) | RE.20597 | Washer, union | 2 | |
| (3) | CD.509 | Filter, union | 2 | |
| (4) | CD.512 | Lid, float chamber, front | 1 | |
| — | CD.513 | Lid, float chamber, rear | 1 | |
| (5) | RE.7289 | Washer, cap nut | 2 | |
| (6) | RE.8383 | Nut, cap | 2 | |
| (7) | CD.591 | Pin, tickler | 2 | |
| — | RE.7293 | Spring, pin | 2 | |
| — | CD.529 | Washer, brass, pin | 2 | |
| — | CD.531 | Washer, Neoprene, pin | 2 | |
| — | CD.507 | Pin, split, tickler | 2 | |
| (8) | RE.7283 | Washer, float chamber lid | 2 | |
| (9) | CD.521 | Seating and needle | 2 | |
| (10) | RE.7290 | Lever, hinged | 2 | |
| (11) | CD.515 | Pin, lever | 2 | |
| (12) | RE.7286 | Float | 2 | |
| (13) | CD.505 | Chamber, float, assembly | 2 | |
| — | UE.2609 | Bracket, assembly, front carburetter | 1 | |
| (14) | CD.749 | Bolt, float chamber | 8 | |
| (15) | CD.528 | Washer, bolt | 8 | |
| (16) | CD.525 | Spring, jet | 2 | |
| (17) | CD.590 | Jet, assembly | 2 | |
| (18) | CD.510 | Housing, jet | 2 | |
| (19) | CD.519 | Screw, jet | 2 | |
| (20) | CD.502 | Bearing, jet | 2 | |
| (21) | CD.503 | Body, carburetter | 2 | |
| (22) | CD.748 | Pin, piston, lift | 2 | |
| — | CD.524 | Spring, pin | 2 | |
| — | CD.750 | Washer, brass, pin | 2 | |
| — | CD.531 | Washer, Neoprene, pin | 2 | |
| — | CD.507 | Pin, split, pin | 2 | |
| (23) | CD.527 | Valve, slow run | 2 | |
| (24) | CD.526 | Spring, gland, valve | 2 | |
| (25) | CD.530 | Washer, brass, valve | 2 | |
| (26) | CD.532 | Washer, Neoprene, valve | 2 | |
| (27) | CD.595 | Spindle, throttle, front carb. | 1 | |
| — | CD.596 | Spindle, throttle, rear carb. | 1 | |
| — | CD.520 | Seal, spindle | 4 | |
| — | CD.504 | Cap, seal | 4 | |
| (28) | CD.589 | Disc, throttle | 2 | |
| (29) | RE.8409 | Screw, disc | 4 | |
| (30) | UE.4105 | Needle, jet, (T.A.) | 2 | |
| — | UE.4448 | Needle, jet, (T.C.), O/B Air Cleaner | 2 | |
| (31) | CD.517 | Screw, needle | 2 | |
| (32) | CD.592 | Chamber, suction | 2 | |
| (33) | CD.518 | Screw, chamber to body | 6 | |
| (34) | CD.508 | DAMPER ASSEMBLY | 2 | |
| (35) | RE.14737 | Circlip | 1 | |
| (36) | CD.129 | Washer, damper cap | 2 | |
| — | UE.2629 | Joint, carburetter to air intake | 2 | |



CARBURETTER

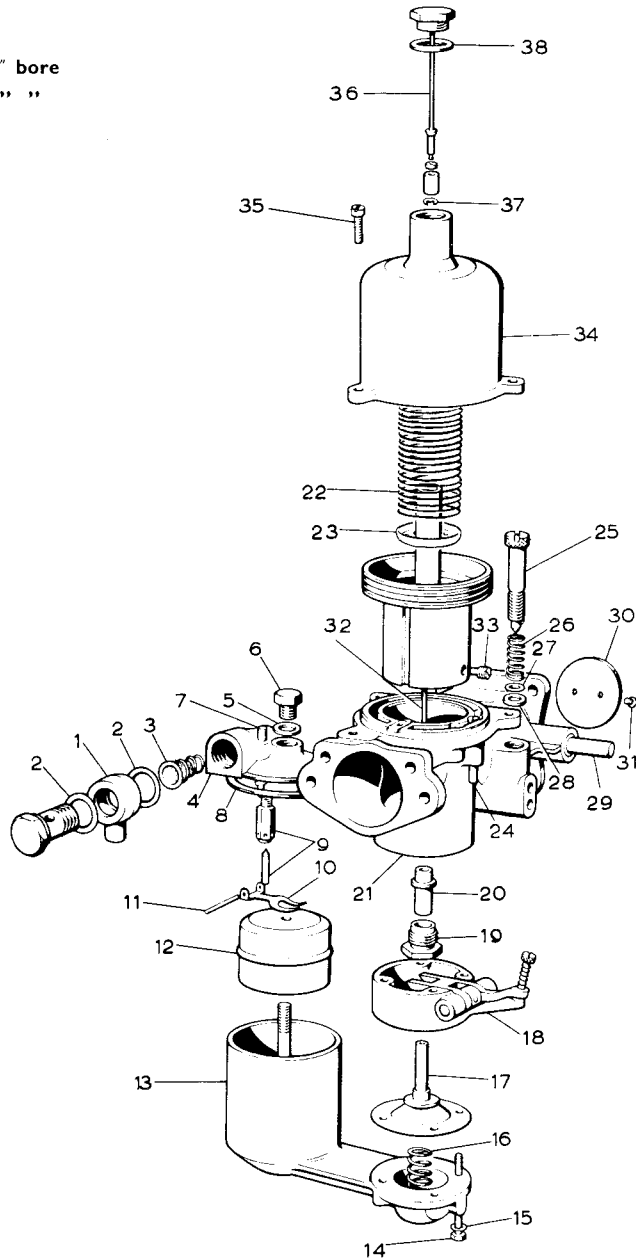


SPARES schedule

SILVER CLOUD AND BENTLEY 'S' TYPE

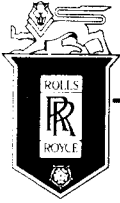


| | | | | |
|------|----------|--------------------------------------|---|---------|
| — | UE.6051 | CARBURETTER, FRONT, ASSEMBLY | 1 | 2" bore |
| — | UE.6052 | CARBURETTER, REAR, ASSEMBLY | 1 | " " |
| (1) | UE.2907 | Union, petrol feed | 2 | |
| (2) | RE.20597 | Washer, union | 2 | |
| (3) | CD.509 | Filter, union | 2 | |
| (4) | CD.512 | Lid, float chamber, front | 1 | |
| | CD.513 | Lid, float chamber, rear | 1 | |
| (5) | RE.7289 | Washer, cap nut | 2 | |
| (6) | RE.8383 | Nut, cap | 2 | |
| (7) | CD.591 | Pin, tickler | 2 | |
| — | RE.7293 | Spring, pin | 2 | |
| — | CD.529 | Washer, brass, pin | 2 | |
| — | CD.531 | Washer, Neoprene, pin | 2 | |
| — | CD.507 | Pin, split, tickler | 2 | |
| (8) | RE.7283 | Washer, float chamber lid | 2 | |
| (9) | CD.521 | Seating and needle | 2 | |
| (10) | RE.7290 | Lever, hinged | 2 | |
| (11) | CD.515 | Pin, lever | 2 | |
| (12) | RE.7286 | Float | 2 | |
| (13) | CD.505 | Chamber, float, assembly | 2 | |
| — | UE.2609 | Bracket, assembly, front carburetter | 1 | |
| (14) | CD.749 | Bolt, float chamber | 8 | |
| (15) | CD.528 | Washer, bolt | 8 | |
| (16) | CD.525 | Spring, jet | 2 | |
| (17) | CD.590 | Jet, assembly | 2 | |
| (18) | CD.510 | Housing, jet | 2 | |
| (19) | CD.519 | Screw, jet | 2 | |
| (20) | CD.502 | Bearing, jet | 2 | |
| (21) | CD.748 | Body, carburetter | 2 | |
| (22) | CD.594 | Spring | 2 | |
| (23) | CD.597 | Washer, skid | 2 | |
| (24) | CD.516 | Pin, piston, lift | 2 | |
| — | CD.524 | Spring, pin | 2 | |
| — | CD.750 | Washer, brass, pin | 2 | |
| — | CD.531 | Washer, Neoprene, pin | 2 | |
| — | CD.507 | Pin, split, pin | 2 | |
| (25) | CD.527 | Valve, slow run | 2 | |
| (26) | CD.526 | Spring, gland, valve | 2 | |
| (27) | CD.530 | Washer, brass, valve | 2 | |
| (28) | CD.532 | Washer, Neoprene, valve | 2 | |
| (29) | CD.595 | Spindle, throttle, front carb. | 1 | |
| — | CD.596 | Spindle, throttle, rear carb. | 1 | |
| — | CD.520 | Seal, spindle | 4 | |
| — | CD.504 | Cap, seal | 4 | |
| (30) | CD.589 | Disc, throttle | 2 | |
| (31) | RE.8409 | Screw, disc | 4 | |
| (32) | UE.4105 | Needle, jet, (T.A.) | 2 | |
| — | UE.4448 | Needle, jet, (T.C.), O.B Air Cleaner | 2 | |
| (33) | CD.517 | Screw, needle | 2 | |
| (34) | CD.592 | Chamber, suction | 2 | |
| (35) | CD.518 | Screw, chamber to body | 6 | |
| (36) | CD.508 | DAMPER ASSEMBLY | 2 | |
| (37) | RE.14737 | Circlip | 1 | |
| (38) | CD.129 | Washer, damper cap | 2 | |
| — | UE.2629 | Joint, carburetter to air intake | 2 | |



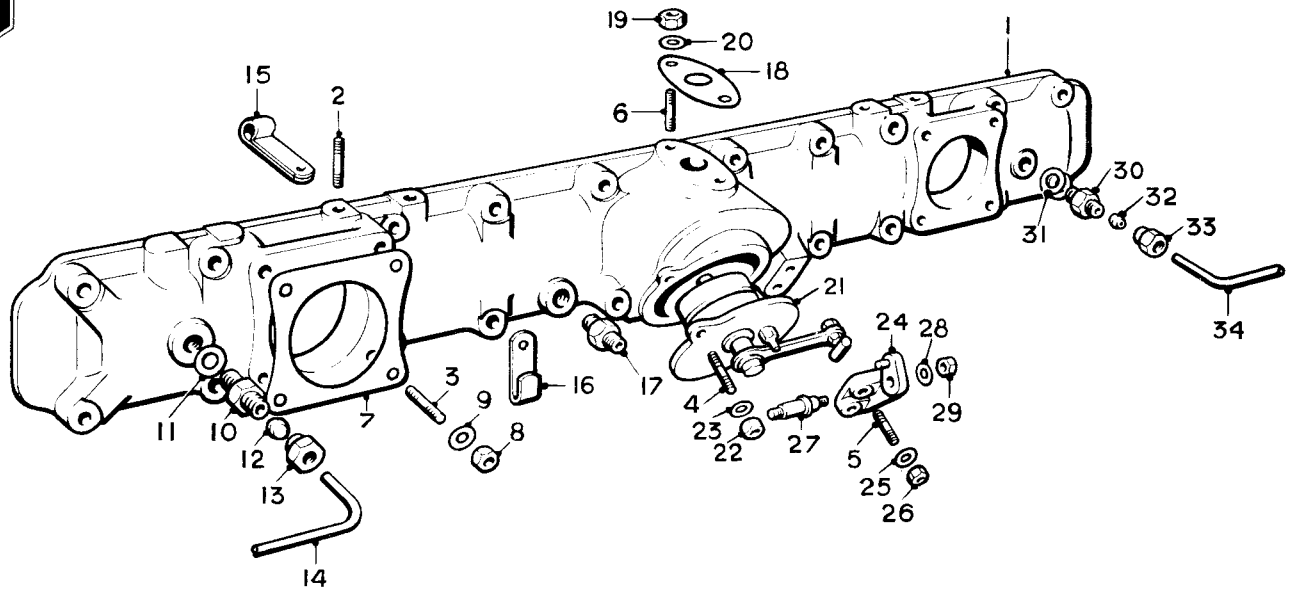
| | |
|--------------------|------------|
| Silver Cloud | — SHF.207 |
| Silver Cloud (LWB) | — BLC.47 |
| Bentley 'S' | — FD.245 |
| Bentley 'S' (LWB) | — ALB.23 |
| Continental | — BC.27.FM |

CARBURETTER



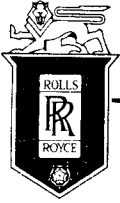
SPARES schedule

SILVER CLOUD AND BENTLEY 'S' TYPE



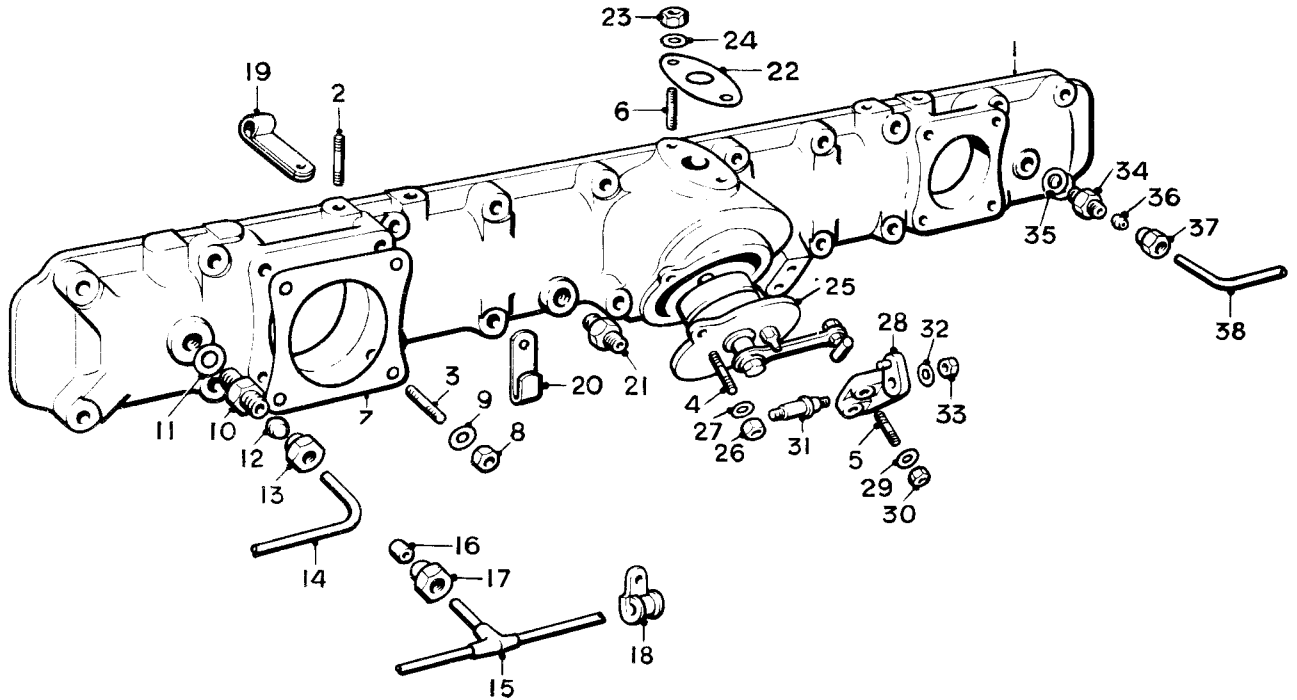
| Ref. | Part No. | Description | No off | |
|------|-----------|---------------------------------|--------|---------------|
| | UE.2334 | COVER, INDUCTION, ASSY. | 1 | 1 3/4" carbs. |
| (1) | UE.2300 | Cover | 1 | |
| (2) | UA.851/Z | Stud, silencer bracket | 4 | |
| (3) | UA.904/Z | Stud, carburetters | 8 | |
| (4) | KB.250/Z | Stud, thermostat | 2 | |
| (5) | KB.251/Z | Stud, fast idle cam bracket | 2 | |
| (6) | UA.855/Z | Stud, hotspot | 2 | |
| (7) | RE.10611 | Joint, carburetter | 2 | |
| (8) | UA.352/Z | Nut, carburetter | 8 | |
| (9) | K.9009/Z | Washer, carburetter | 8 | |
| (10) | UA.1001/Z | Adaptor, vacuum tap | 1 | |
| (11) | RE.16373 | Washer, adaptor | 1 | |
| (12) | KB.3001/R | Sleeve, pipe | 1 | |
| (13) | UA.1051/Z | Nut, adaptor | 1 | |
| (14) | UE.2954 | Pipe, vacuum tap | 1 | |
| (15) | UE.2273 | Clip, pipe, windscreen washer | 2 | |
| (16) | UE.2158 | Clip, cable, dynamo | 4 | |
| (17) | RF.8408 | Junction, auto choke | 1 | |
| (18) | RE.8291 | Joint, hotspot pipe | 1 | |
| (19) | UA.301/Z | Nut, stud, hotspot | 2 | |
| (20) | K.9008/Z | Washer, nut | 2 | |
| (21) | UE.513 | THERMOSTAT, ASSEMBLY, | 1 | |
| | RE.10866 | Joint, ball assembly | 1 | |
| | K.9006/Z | Washer | 1 | |
| | K.4307/Z | Nut, lock | 1 | |
| (22) | K.4006/Z | Nut, stud, thermostat | 1 | |
| (23) | K.9006/Z | Washer, nut | 2 | |
| (24) | UE.508 | Bracket and stop, fast idle cam | 1 | |
| (25) | K.9006/Z | Washer, bracket | 2 | |
| (26) | K.4307/Z | Nut, bracket | 2 | |
| (27) | UE.514 | Pin, fulcrum | 1 | |
| (28) | K.9006/Z | Washer, fulcrum pin | 1 | |
| (29) | K.4006/Z | Nut, pin | 2 | |
| (30) | UA.1001/Z | Adaptor, windscreen washer | 1 | |
| (31) | RE.16373 | Washer, adaptor | 1 | |
| (32) | KB.3001/R | Sleeve, pipe | 1 | |
| (33) | UA.1051/Z | Nut, adaptor | 1 | |
| (34) | UE.559 | Pipe, windscreen washer | 1 | |

INDUCTION COVER



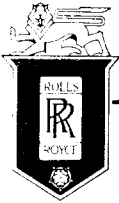
SPARES schedule

SILVER CLOUD AND BENTLEY 'S' TYPE



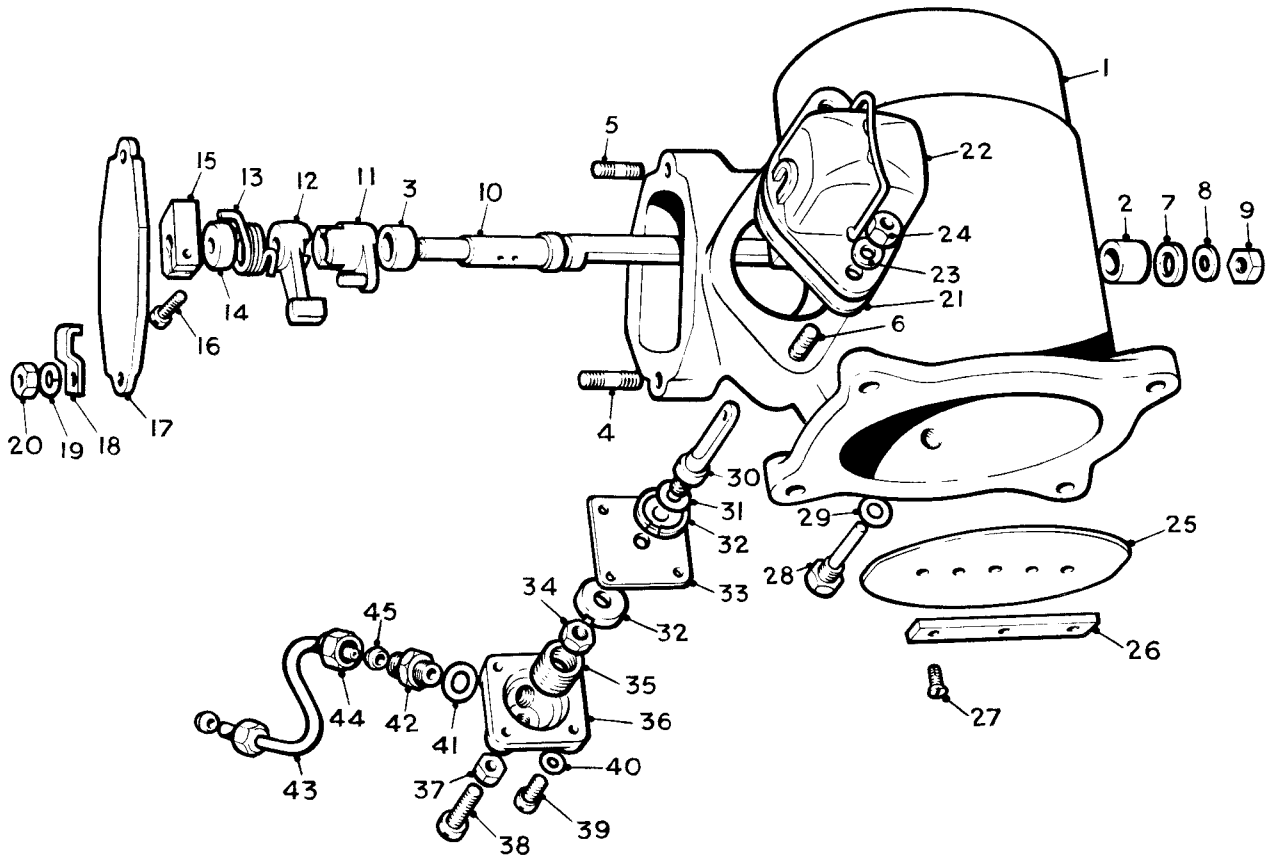
| Ref. | Part No. | Description | No off | Ref. | Part No. | Description | No off |
|------|------------------|--|--------|------|------------------|---------------------------------|--------|
| | UE.4613 | COVER, INDUCTION, ASSY. | 1 | (19) | UE.2273 | Clip, pipe, windscreen washer | 2 |
| (1) | UE.2619 | Cover | 1 | (20) | UE.2158 | Clip, cable, dynamo | 4 |
| | | (2" carbs. Except "Continental," and L.W.B. cars) | | (21) | RF.8408 | Junction, auto choke | 1 |
| (2) | UA.851/Z | Stud, silencer bracket | 4 | (22) | RE.8291 | Joint, hotspot pipe | 1 |
| (3) | UA.904/Z | Stud, carburetters | 8 | (23) | UA.301/Z | Nut, stud, hotspot | 2 |
| (4) | KB.250/Z | Stud, thermostat | 2 | (24) | K.9008/Z | Washer, nut | 2 |
| (5) | KB.251/Z | Stud, fast idle cam bracket | 2 | (25) | UE.513 | THERMOSTAT, ASSEMBLY | 1 |
| (6) | UA.855/Z | Stud, hotspot | 2 | | RE.10866 | Joint, ball assembly | 1 |
| | UE.2620 | COVER, INDUCTION, ASSY. | 1 | | K.9006/Z | Washer | 1 |
| (1) | UE.2619 | Cover | 1 | | K.4307/Z | Nut, lock | 1 |
| | | ("Continental" and L.W.B. cars) | | (26) | K.4006/Z | Nut, stud, thermostat | 2 |
| (2) | UA.855/Z | Stud, silencer bracket | 4 | (27) | K.9006/Z | Washer, nut | 2 |
| (3) | UA.904/Z | Stud, carburetters | 8 | (28) | UE.508 | Bracket and stop, fast idle cam | 1 |
| (4) | KB.250/Z | Stud, thermostat | 2 | (29) | K.9006/Z | Washer, bracket | 2 |
| (5) | KB.251/Z | Stud, fast idle cam bracket | 2 | (30) | K.4307/Z | Nut, bracket | 2 |
| (6) | UA.855/Z | Stud, hotspot | 2 | (31) | UE.514 | Pin, fulcrum | 1 |
| (7) | UE.2628 | Joint, carburetters | 2 | (32) | K.9006/Z | Washer, fulcrum pin | 1 |
| (8) | UA.352/Z | Nut, carburetter | 8 | (33) | K.4006/Z | Nut, pin | 2 |
| (9) | K.9009/Z | Washer, carburetter | 8 | (34) | UA.1001/Z | Adaptor, windscreen washer | 1 |
| (10) | UA.1001/Z | Adaptor, vacuum tap | 1 | (35) | RE.16373 | Washer, adaptor | 1 |
| (11) | RE.16373 | Washer, adaptor | 1 | (36) | KB.3001/R | Sleeve, pipe | 1 |
| (12) | KB.3001/R | Sleeve, pipe | 1 | (37) | UA.1051/Z | Nut, adaptor | 1 |
| (13) | UA.1051/Z | Nut, adaptor | 1 | (38) | UE.559 | Pipe, windscreen washer | 1 |
| (14) | UE.2954 | Pipe, vacuum tap | 1 | | | | |
| (15) | UE.5331 | PIPE, VACUUM TAP, ASSY. | 1 | | | | |
| (16) | KB.3001/R | Sleeve, pipe | 1 | | | | |
| (17) | UA.1051/Z | Nut, pipe | 1 | | | | |
| (18) | RE.14770 | Clip, pipe | 1 | | | | |
| | | (Cars with I/C equipment and special idling speed switch gear) | | | | | |

INDUCTION COVER



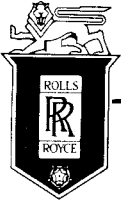
SPARES schedule

SILVER CLOUD AND BENTLEY 'S' TYPE



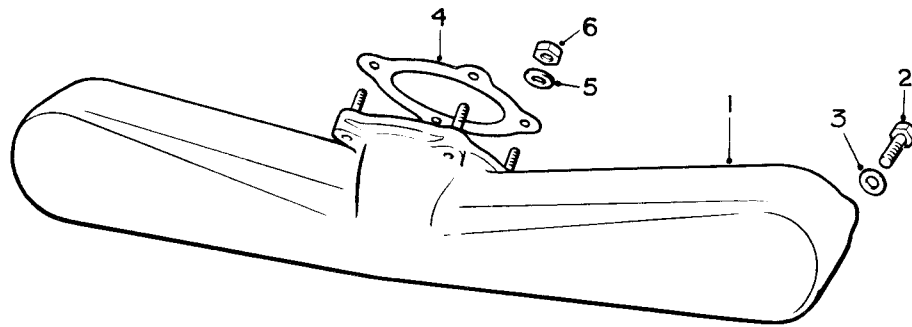
| Ref. | Part No. | Description | No off | Ref. | Part No. | Description | No off |
|------|----------|-----------------------------------|----------|------|----------|-----------------------------------|---------|
| | UE.344 | BODY, BUTTERFLY HOUSING, ASSEMBLY | 1 | (22) | RD.8574 | SOLENOID ASSEMBLY | 1 |
| (1) | UE.293 | Body | 1 | (23) | K.9006/Z | Washer, solenoid stud | 2 |
| (2) | RE.16573 | Bush, long | 1 | (24) | K.4307/Z | Nut, stud | 2 |
| (3) | RE.16574 | Bush, short | 1 | (25) | RE.19870 | Valve, butterfly | 1 |
| (4) | KB.252/Z | Stud, .875", cover plate | 1 | (26) | UE.2648 | Plate, doubling | 1 |
| (5) | KB.299/Z | Stud, .725", cover plate | 1 | (27) | UE.2808 | Screw, butterfly | 3 |
| (6) | KB.299/Z | Stud, .725", solenoid | 2 | (28) | UE.346 | Stop, butterfly | 1 |
| (7) | K.4404/Z | Washer, butterfly shaft | 1 | (29) | K.9008/Z | Washer, valve stop | 1 |
| (8) | K.9006/Z | Washer, butterfly shaft | 1 | (30) | RE.17003 | Rod, link, diaphragm to butterfly | 1 |
| (9) | K.4307/Z | Nut, shaft | 1 | (31) | RE.17040 | Washer, adjusting rod, .015" | |
| (10) | UE.2806 | SHAFT, BUTTERFLY, ASSY. | 1 | | RE.17041 | " " " .020" | As reqd |
| (11) | RE.13204 | Link, depression valve, assembly | 1 | | RE.17042 | " " " .025" | |
| (12) | RE.21686 | Lever, solenoid operated | 1 | (32) | UE.6161 | Disc, diaphragm | 2 |
| (13) | RE.21682 | Spring, lever | 1 | (33) | UE.6162 | Diaphragm, depression | 1 |
| (14) | RE.21684 | Bush, spring | 1 | (34) | K.4005/Z | Nut, diaphragm rod | 1 |
| (15) | RE.21683 | Tensioner, spring | 1 | (35) | RE.16621 | Spring, diaphragm | 1 |
| (16) | KC.102/Z | Screw, tensioner | 1 | (36) | RE.13190 | Cover, diaphragm | 1 |
| (17) | RE.13200 | Plate, cover | 1 | (37) | K.4307/Z | Nut, adjusting screw | 1 |
| (18) | RD.8566 | Clip, cable, solenoid | 1 | (38) | RE.13199 | Screw, adjusting diaphragm | 1 |
| (19) | K.9006/Z | Washer, cover plate | 2 | (39) | K.1710/Z | Screw, diaphragm cover | 4 |
| (20) | K.4006/Z | Nut, cover plate | 2 | (40) | K.9003/Z | Washer, screw | 4 |
| (21) | RD.6516 | Shim, adjusting, solenoid, .009" | | (41) | KB.1078 | Washer, joint, straight junction | 1 |
| | RD.6517 | " " " .012" | As reqd. | (42) | RE.16798 | Junction, pipe | 1 |
| | RD.6518 | " " " .015" | | (43) | RE.19234 | Pipe, depression valve | 1 |
| | | | | (44) | RF.6786 | Nut, junction, pipe | 2 |
| | | | | (45) | RF.6783 | Sleeve, compression, pipe | 2 |

AUTOMATIC CHOKE

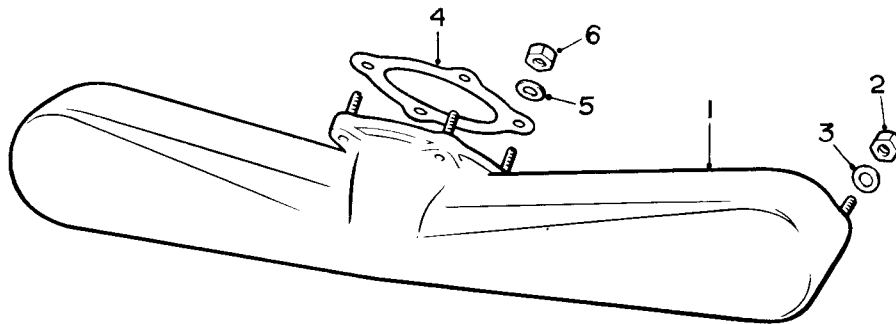


SPARES schedule

SILVER CLOUD AND BENTLEY 'S' TYPE

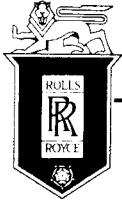


| Ref. | Part No. | Description | No off |
|------|----------|--------------------------|-------------|
| (1) | UE.2602 | INTAKE, AIR, ASSEMBLY | 1 1½ carbs. |
| | UA.853/Z | Stud, butterfly housing | 4 |
| (2) | UA.154/Z | Setscrew, carburetter | 4 |
| (3) | K.9009/Z | Washer, setscrew | 4 |
| (4) | RE.13241 | Joint, butterfly housing | 2 |
| (5) | K.9008/Z | Washer, stud | 4 |
| (6) | UA.301/Z | Nut, stud | 4 |



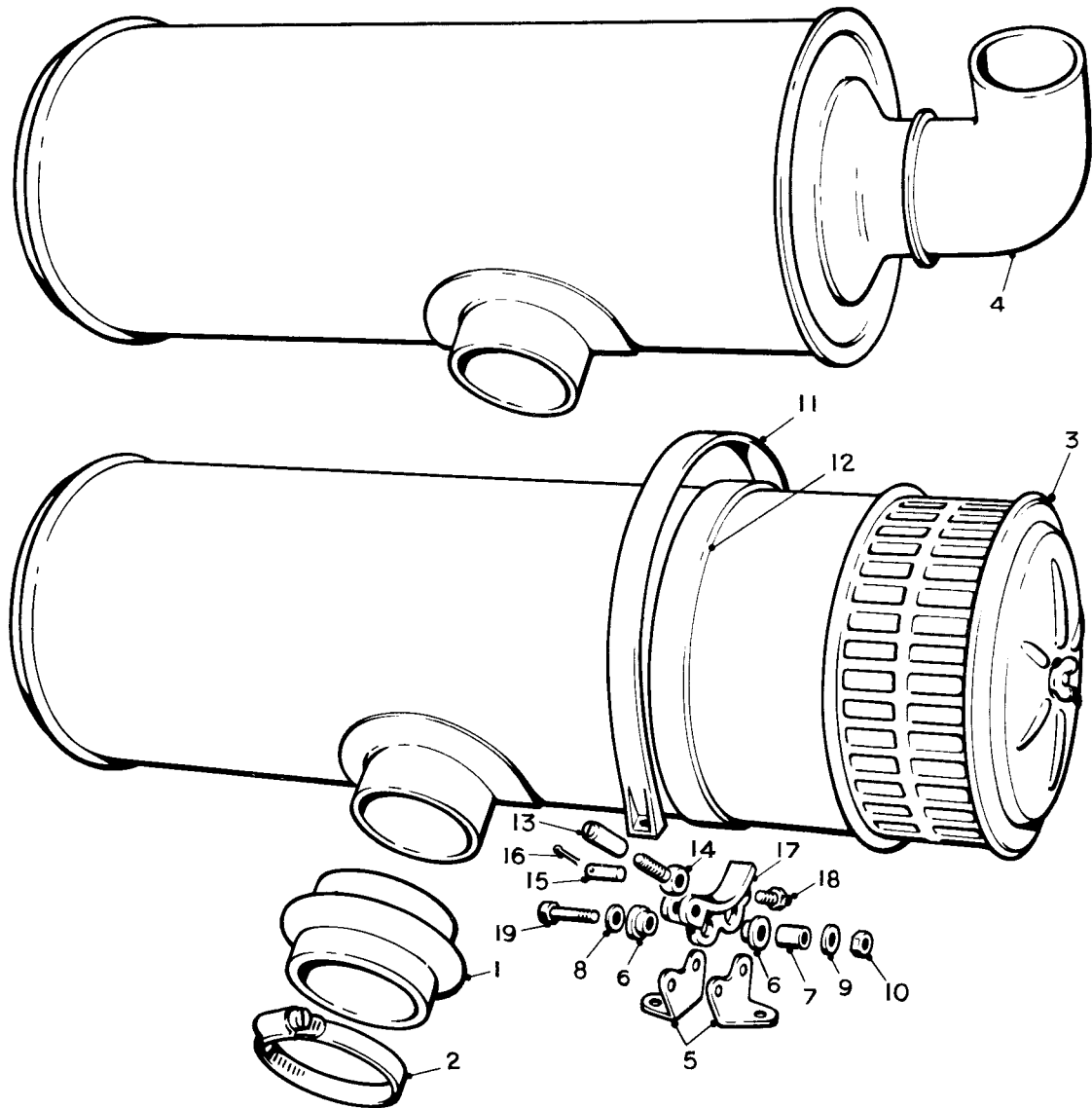
| Ref. | Part No. | Description | No off |
|------|----------|--------------------------|-------------|
| (1) | UE.2624 | INTAKE, AIR, ASSEMBLY | 1 2" carbs. |
| | UA.853/Z | Stud, butterfly housing | 4 |
| | UA.903/Z | Stud, carburetter | 4 |
| (2) | UA.352/Z | Nut, carburetter | 4 |
| (3) | K.9009/Z | Washer, nut | 4 |
| (4) | UE.2629 | Joint, butterfly housing | 2 |
| (5) | K.9008/Z | Washer, stud | 4 |
| (6) | UA.301/Z | Nut, stud | 4 |

FUEL SECTION AIR INTAKE



SPARES schedule

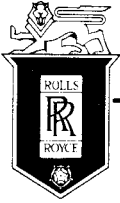
SILVER CLOUD AND BENTLEY 'S' TYPE



AIR SILENCER

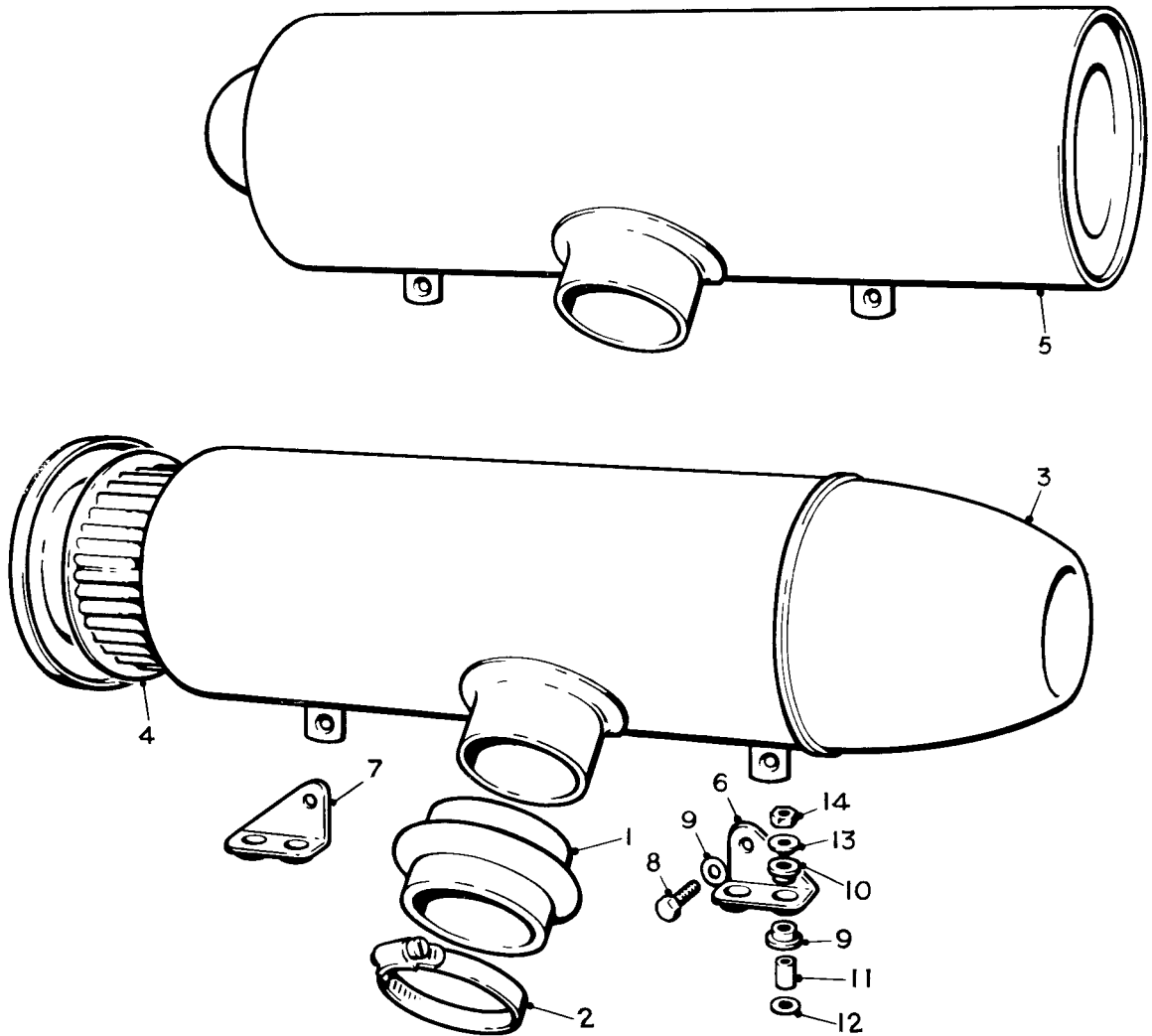
(All chassis except "Continental" not fitted with Interior Cooling)

| Ref. | Part No. | Description | No off |
|------|-----------|--|-----------|
| (1) | RE.17017 | Connection, silencer | 1 |
| (2) | RE.4805 | Clip, connection | 2 |
| (3) | UE.805 | SILENCER, AIR, ASSEMBLY— Standard | 1 |
| (4) | UE.2898 | SILENCER, AIR, ASSEMBLY— O.B. Cleaner | 1 |
| (5) | UE.4608 | Bracket, support | 4 |
| (6) | RE.19239 | Bush, "Harrisflex" | 4 — Pairs |
| (7) | RE.15205 | Sleeve, bush | 4 |
| (8) | UA.2052/Z | Washer, support bracket | 4 |
| (9) | RE.12430 | Washer, support bracket | 4 |
| (10) | UA.301/Z | Nut, support bracket | 4 |
| (11) | RE.19238 | STRAP, CLAMPING, ASSEMBLY | 2 |
| (12) | RE.13219 | Band, rubber, strap | 2 |
| (13) | UE.343 | Nut, strap | 2 |
| (14) | UE.342 | Screw, strap | 2 |
| (15) | K.6510/Z | Pin, support bracket | 2 |
| (16) | K.4607/Z | Pin, split, bracket pin | 2 |
| (17) | UE.340 | Bracket, strap | 2 |
| (18) | UE.341 | Button, bracket | 2 |
| (19) | UA.106/Z | Bolt, bracket | 2 |



SPARES schedule

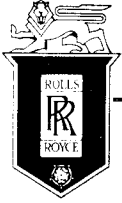
SILVER CLOUD AND BENTLEY 'S' TYPE



AIR SILENCER

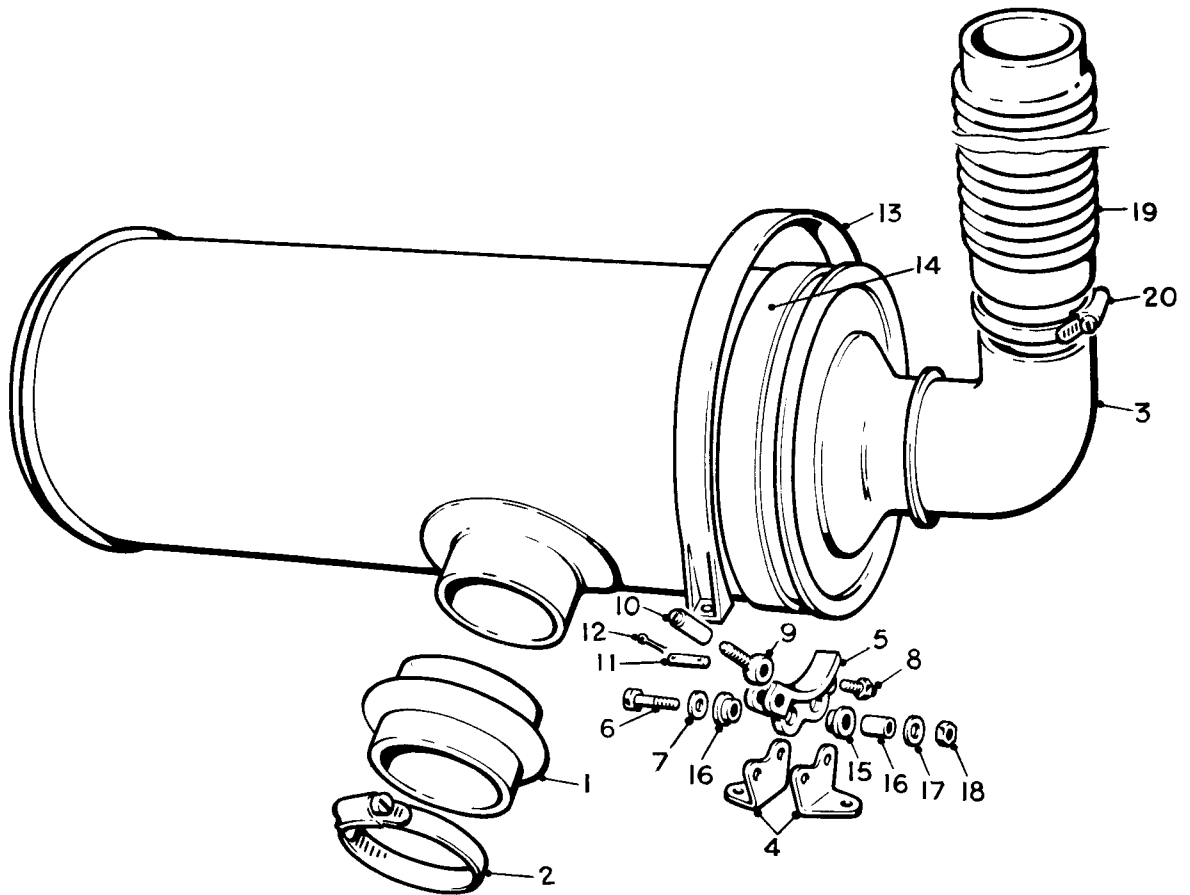
("Continental" chassis not fitted with Interior Cooling)

| Ref. | Part No. | Description | No off |
|------|-----------|--|---------|
| (1) | RE.17017 | Connection, silencer | 1 |
| (2) | RE.4805 | Clip, connection | 2 |
| (3) | UE.2654 | SILENCER, AIR, ASSEMBLY— Standard | 1 |
| (4) | CD.690 | Element | 1 |
| (5) | UE.2920 | SILENCER, AIR, ASSEMBLY— O.B. Cleaner | 1 |
| (6) | UE.2656 | Bracket, support, rear | 1 |
| (7) | UE.2658 | Bracket, support, front | 1 |
| (8) | UA.152/Z | Setscrew, support bracket | 2 |
| (9) | K.9009/Z | Washer, setscrew | 1 |
| (10) | RE.19239 | Bush, "Harrisflex" | 4—Pairs |
| (11) | RE.15205 | Sleeve, bush | 4 |
| (12) | UA.2052/Z | Washer, support bracket | 4 |
| (13) | RE.12430 | Washer, support bracket | 4 |
| (14) | UA.301/Z | Nut, support bracket | 4 |



SPARES schedule

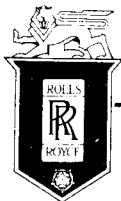
SILVER CLOUD AND BENTLEY 'S' TYPE



| Ref. | Part No. | Description | No off |
|------|----------|--------------------------|---------|
| (1) | RE.17017 | Connection, Silencer | 1 |
| (2) | RE.4805 | Clip, connection | 2 |
| (3) | UE.4420 | SILENCER, AIR, ASSEMBLY | 1 |
| (4) | UE.4608 | Bracket, support | 4 |
| (5) | UE.340 | Bracket, strap | 2 |
| (6) | UA.106/Z | Bolt, bracket | 4 |
| (7) | K.9008/Z | Washer, bolt | 4 |
| (8) | UE.341 | Button, straps, silencer | 2 |
| (9) | UE.342 | Screw, straps, adjusting | 2 |
| (10) | UE.343 | Nut, screws | 2 |
| (11) | K.6510/Z | Pin, support brackets | 2 |
| (12) | K.4607/Z | Split pin, pivot pin | 2 |
| (13) | RE.19238 | STRAP, CLAMPING, ASSY. | 2 |
| (14) | RE.13219 | Band, rubber, strap | 2 |
| (15) | RE.12939 | Bush, "Harrisflex" | 4—Pairs |
| (16) | RE.15205 | Sleeve, bush | 4 |
| (17) | K.9008/Z | Washer, support bracket | 4 |
| (18) | UA.301/Z | Nut, support bracket | 4 |
| (19) | UE.2873 | Connection, O.B. Cleaner | 1 |
| (20) | RE.6732 | Clip, hose | 2 |

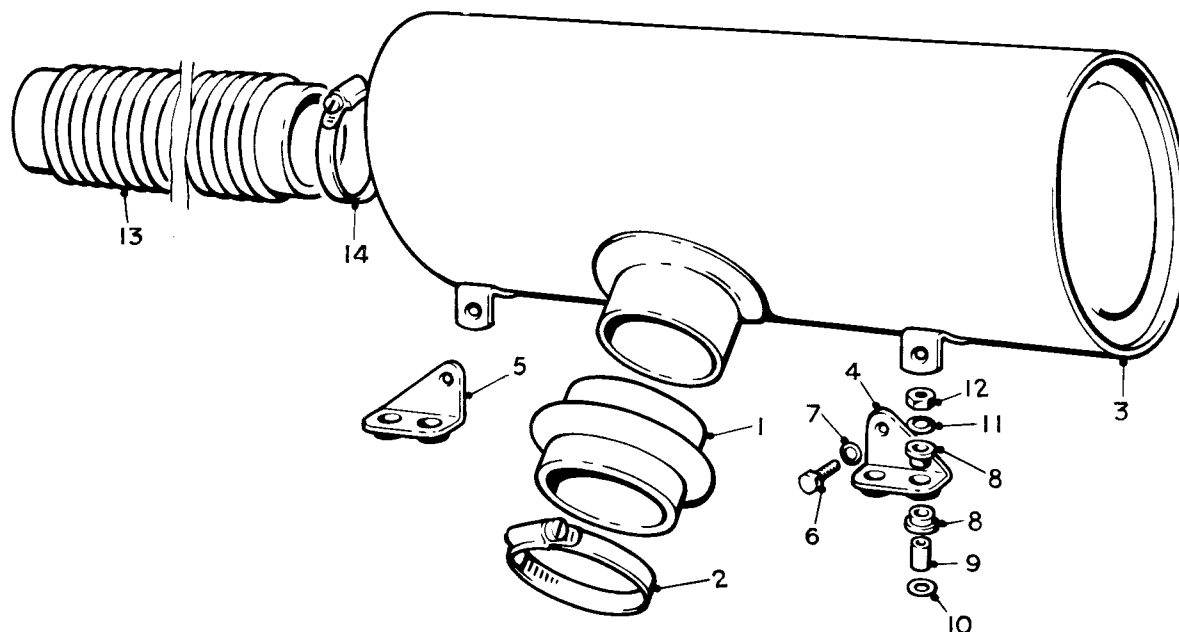
AIR SILENCER

(All chassis except "Continental" fitted with Interior Cooling)



SPARES schedule

SILVER CLOUD AND BENTLEY 'S' TYPE

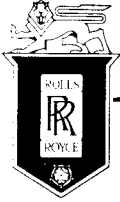


| Ref. | Part No. | Description | No off |
|------|-----------|----------------------------|---------|
| (1) | RE.17017 | Connection, silencer | 1 |
| (2) | RE.4805 | Clip, connection | 2 |
| (3) | UE.5715 | SILENCER, AIR, ASSEMBLY | 1 |
| (4) | UE.2656 | BRACKET, SUPPORT, ASSEMBLY | 1 |
| (5) | UE.2658 | BRACKET, SUPPORT, ASSEMBLY | 1 |
| (6) | UA.152/Z | Setscrew, bracket | 2 |
| (7) | K.9009/Z | Washer, setscrew | 2 |
| (8) | RE.19239 | Bush, "Harrisflex" | 4—Pairs |
| (9) | RE.15205 | Sleeve, bush | 4 |
| (10) | UA.2052/Z | Washer, support bracket | 4 |
| (11) | RE.12430 | Washer, support bracket | 4 |
| (12) | UA.301/Z | Nut, support bracket | 4 |
| (13) | UE.5723 | Connection, OB. Cleaner | 1 |
| (14) | RE.6732 | Clip, hose | 2 |

AIR SILENCER

(All chassis, including "Continental" fitted with Interior Cooling.)

Silver Cloud — — SJF.140 onwards
 Bentley "S" — — FD.439 onwards

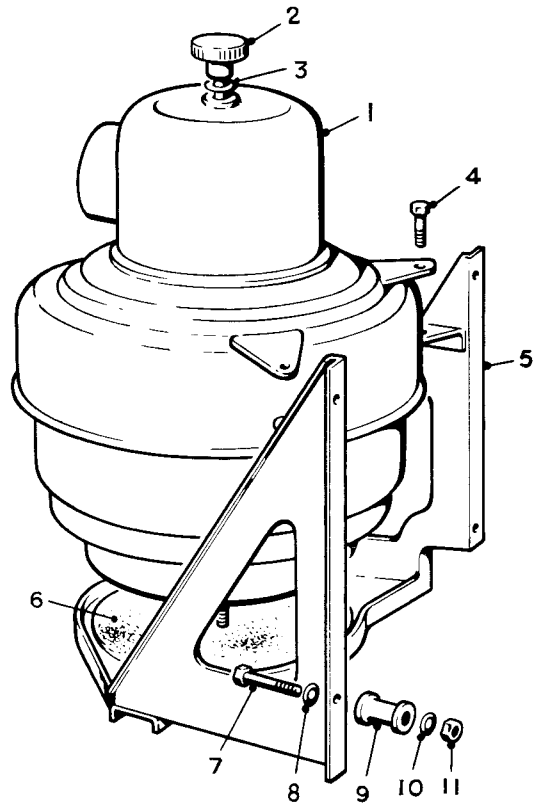


SPARES schedule

SILVER CLOUD AND BENTLEY 'S' TYPE

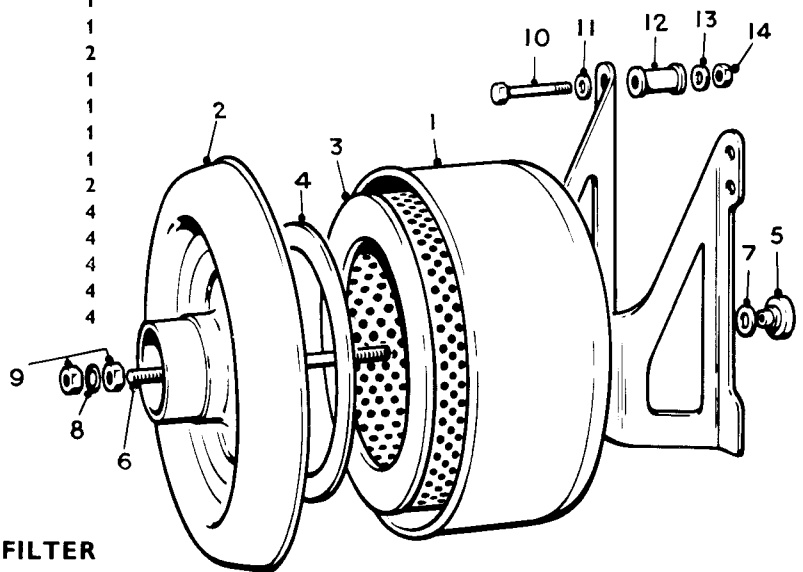


| Ref. | Part No. | Description | No off |
|------|----------|----------------------------|--------|
| (1) | UE.2871 | CLEANER, OIL BATH ASSEMBLY | 1 |
| (2) | UE.2846 | Bolt, centre, cleaner | 1 |
| (3) | K.9008/Z | Washer, centre bolt | 1 |
| (4) | UA.103/Z | Screw, cleaner to bracket | 2 |
| (5) | UE.1432 | Bracket | 1 |
| | UE.1658 | Bracket | 1 |
| (6) | UE.1433 | Insulation, heatshield | 1 |
| (7) | UA.114/Z | Bolt, bracket to valance | 4 |
| (8) | K.9008/Z | Washer, bolt | 4 |
| (9) | UE.1428 | Distance piece, bracket | 4 |
| (10) | K.9008/Z | Washer, bracket | 4 |
| (11) | UA.301/Z | Nut, bolt | 4 |

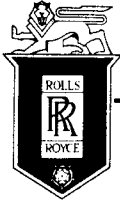


OIL BATH AIR CLEANER

| Ref. | Part No. | Description | No off |
|------|-----------|----------------------------|--------|
| | UE.5791 | FILTER, AIR, ASSEMBLY | 1 |
| (1) | UE.5792 | Case and bracket, assembly | 1 |
| (2) | UE.5796 | End cover, assembly | 1 |
| (3) | UE.5801 | Filter element | 1 |
| (4) | UE.5802 | Seal, cork | 2 |
| (5) | UE.5803 | Nut, knurled | 1 |
| (6) | UE.5804 | Stud | 1 |
| (7) | UE.5994 | Washer, nut | 1 |
| (8) | UA.2001/Z | Washer, clamping spider | 1 |
| (9) | UA.301/Z | Nut, clamping spider | 2 |
| (10) | UA.114/Z | Bolt, bracket to valance | 4 |
| (11) | K.9008/Z | Washer, bolt | 4 |
| (12) | UE.1428 | Distance piece, bracket | 4 |
| (13) | K.9008/Z | Washer, bracket | 4 |
| (14) | UA.301/Z | Nut, bolt | 4 |

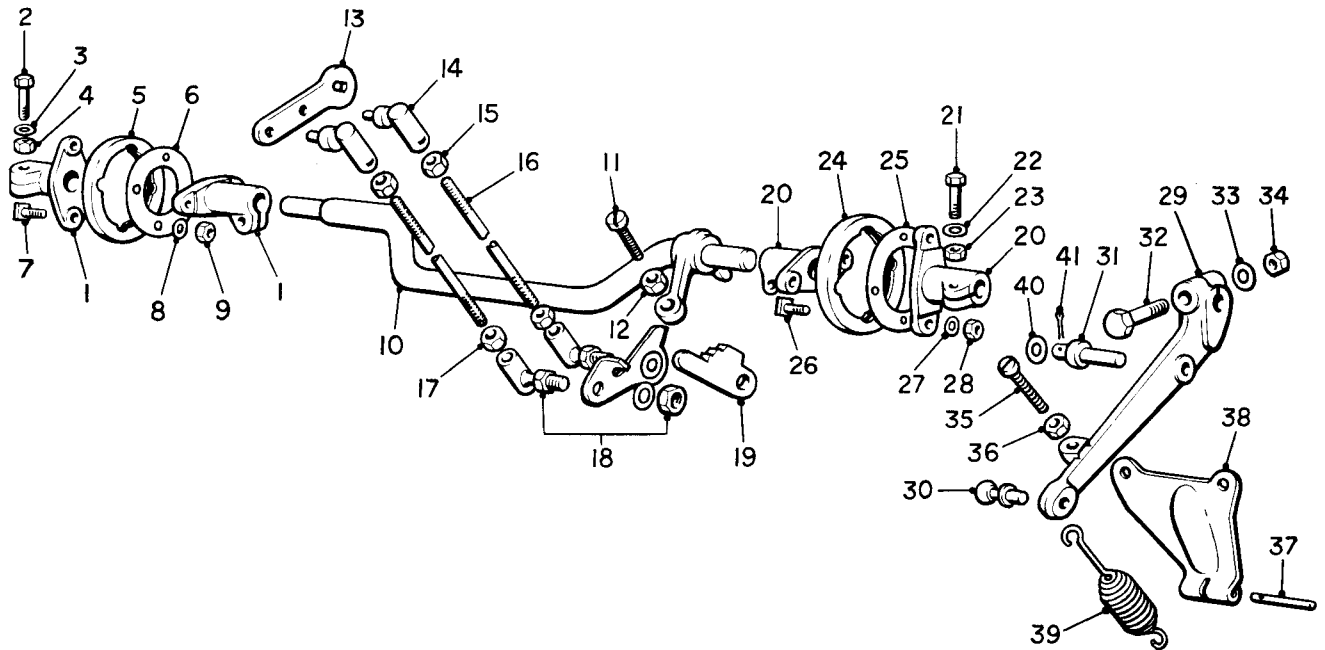


PUROLATOR FILTER



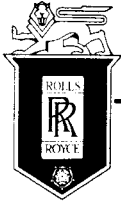
SPARES schedule

SILVER CLOUD AND BENTLEY 'S' TYPE



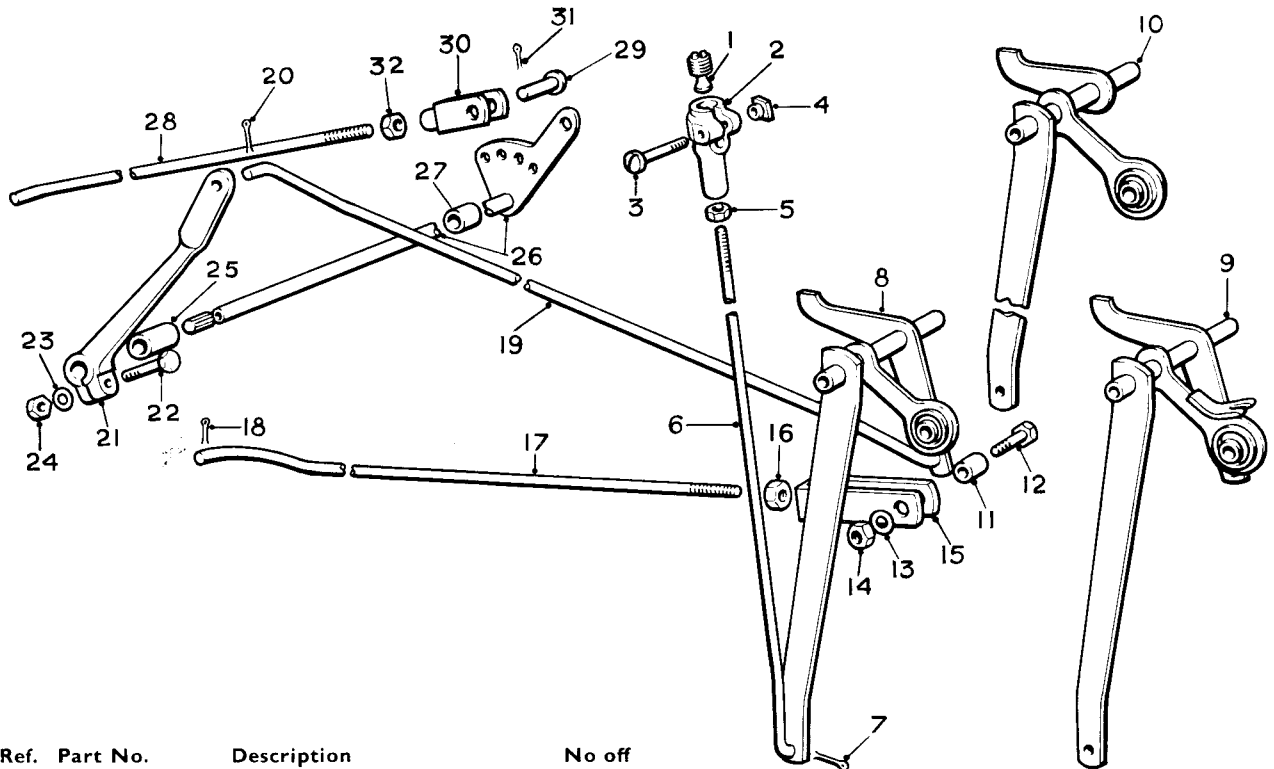
| Ref. | Part No. | Description | No off | Ref. | Part No. | Description | No off |
|------|----------|--|--------|------|-----------|-----------------------------|--------|
| (1) | RE.17012 | Coupling, carb., rear | 2 | (20) | RE.17012 | Coupling, carb., front | 2 |
| (2) | UE.2676 | Bolt, coupling | 2 | (21) | UE.2676 | Bolt, coupling | 2 |
| (3) | K.9005/Z | Washer, bolt | 2 | (22) | K.9005/Z | Washer, bolt | 2 |
| (4) | K.4005/Z | Nut, bolt | 2 | (23) | K.4005/Z | Nut, bolt | 2 |
| (5) | RE.21936 | Cover, coupling ring | 1 | (24) | RE.21936 | Cover, coupling ring | 1 |
| (6) | RE.17047 | Ring, coupling | 1 | (25) | RE.17047 | Ring, coupling | 1 |
| (7) | UE.2659 | Bolt, coupling | 4 | (26) | UE.2659 | Bolt, coupling | 4 |
| (8) | K.8829/R | Washer, bolt | 4 | (27) | K.8829/R | Washer, bolt | 4 |
| (9) | RE.19728 | Nut, bolt | 4 | (28) | RE.19728 | Nut, bolt | 4 |
| (10) | UE.2980 | Shaft, carb. to fast idle cam lever | 1 | (29) | UE.2927 | LEVER, THROTTLE, ASSY. | 1 |
| (11) | RE.17013 | Screw, adjusting, cam lever | 1 | (30) | UE.2928 | Lever | 1 |
| (12) | K.4307/Z | Nut, screw | 1 | (31) | RE.3527 | Pin, ball | 1 |
| | UE.506 | LEVER, ASSY., BUTTERFLY OP. | 1 | (32) | UE.2604 | Pin, spring | 1 |
| (13) | UE.505 | Lever | 1 | (33) | UA.1503/Z | Bolt, clamping, lever | 1 |
| (14) | RE.17018 | Joint, ball assembly | 2 | (34) | K.4404/Z | Washer, bolt | 1 |
| (15) | RE.14872 | Nut, control rod, R.H. thread | 2 | (35) | K.4006/Z | Nut, bolt | 1 |
| (16) | RE.16545 | Rod, thermostat to butterfly valve | 1 | (36) | UE.2981 | Setscrew, lever | 1 |
| (17) | RE.16545 | Rod, fast idle link to butterfly valve | 1 | (37) | K.4304/Z | Nut, setscrew | 1 |
| (18) | RE.16502 | Nut, control rod, L.H. thread | 2 | | UE.2652 | PLATE, SPRING ANCHOR, ASSY. | 1 |
| | UE.2719 | LINK, ASSY. FAST IDLE CAM. | 1 | (38) | UE.2651 | Pin | 1 |
| | RE.10866 | Joint, ball assembly | 1 | (39) | UE.2603 | Plate | 1 |
| | K.9006/Z | Washer | 1 | | UE.2617 | Spring, return | 1 |
| | K.4307/Z | Nut | 1 | (40) | K.4446/Z | Washer, spring | 1 |
| (19) | RE.21735 | Cam, fast idle | 1 | (41) | K.4601/Z | Pin, split, spring | 1 |

CONTROLS (R.C.)



SPARES schedule

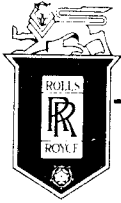
SILVER CLOUD AND BENTLEY 'S' TYPE



| Ref. | Part No. | Description | No off |
|------|----------|--|--|
| (1) | RE.16134 | Screw, adjusting, ball joint | 1 |
| (2) | RE.16133 | Body, ball joint | 1 |
| (3) | RE.3520 | Bolt, ball joint | 1 |
| (4) | RE.3667 | Nut, ball joint | 1 |
| (5) | K.4307/Z | Nut, control rod | 1 |
| (6) | UE.3716 | Rod, dynamo to carburettor | 1—1 3/4" carbs. |
| | UE.3827 | Rod, dynamo to carburettor | 1—2" carbs. |
| (7) | K.4601/Z | Pin, split, control rod | 1 |
| (8) | UE.3717 | LEVER THROTTLE CONTROL, DYNAMO BKT. ASSY. | 1— Not synchro— 1— "Continental" |
| | RF.6501 | Bush assembly | 1— Cars with I/C and special 1— idling speed switch gear. |
| (9) | UE.5282 | LEVER, THROTTLE CONTROL, DYNAMO BKT. ASSY. | 1— Synchro "Continental" 1— only. |
| | RF.6501 | Bush, assembly | |
| (10) | UE.3740 | LEVER, THROTTLE CONTROL, DYNAMO BKT. ASSY. | |
| | RF.6501 | Bush assembly | |
| (11) | RG.5763 | Piece, distance, bush | 1 |
| (12) | KC.174/Z | Screw, set, accelerator rod | 1 |
| (13) | K.4404/Z | Washer, jaw | 1 |
| (14) | K.4307/Z | Nut, jaw | 1 |
| (15) | UE.1859 | Jaw | 1 |
| (16) | K.4307/Z | Nut, rod | 1 |
| (17) | UE.3729 | Rod, accelerator to dynamo bracket | 1 |
| (18) | K.4601/Z | Pin, split, rod | 1 |
| (19) | UE.635 | Rod, T.V., dynamo bracket to bell hsg. | 1 |
| (20) | K.4601/Z | Pin, split, rod | 1 |
| (21) | UE.1076 | Lever, T.V., bell housing | 1 |
| (22) | KC.155/Z | Bolt, clamping, lever | 1 |
| (23) | K.4404/Z | Washer, bolt | 1 |
| (24) | K.4307/Z | Nut, bolt | 1 |
| (25) | RE.18272 | Piece, distance, L.H., T.V. con. shaft | 1 |
| (26) | UE.642 | Shaft, control | 1 |
| (27) | RE.18454 | Piece, distance, R.H., T.V. con. shaft | 1 |
| (28) | UE.1086 | Rod, bell housing to gearbox | 1 |
| (29) | K.4507/Z | Pin, jaw, rod | 1 |
| (30) | RE.18735 | Jaw | 1 |
| (31) | K.4601/Z | Pin, split, rod | 1 |
| (32) | K.4307/Z | Nut, jaw | 1 |

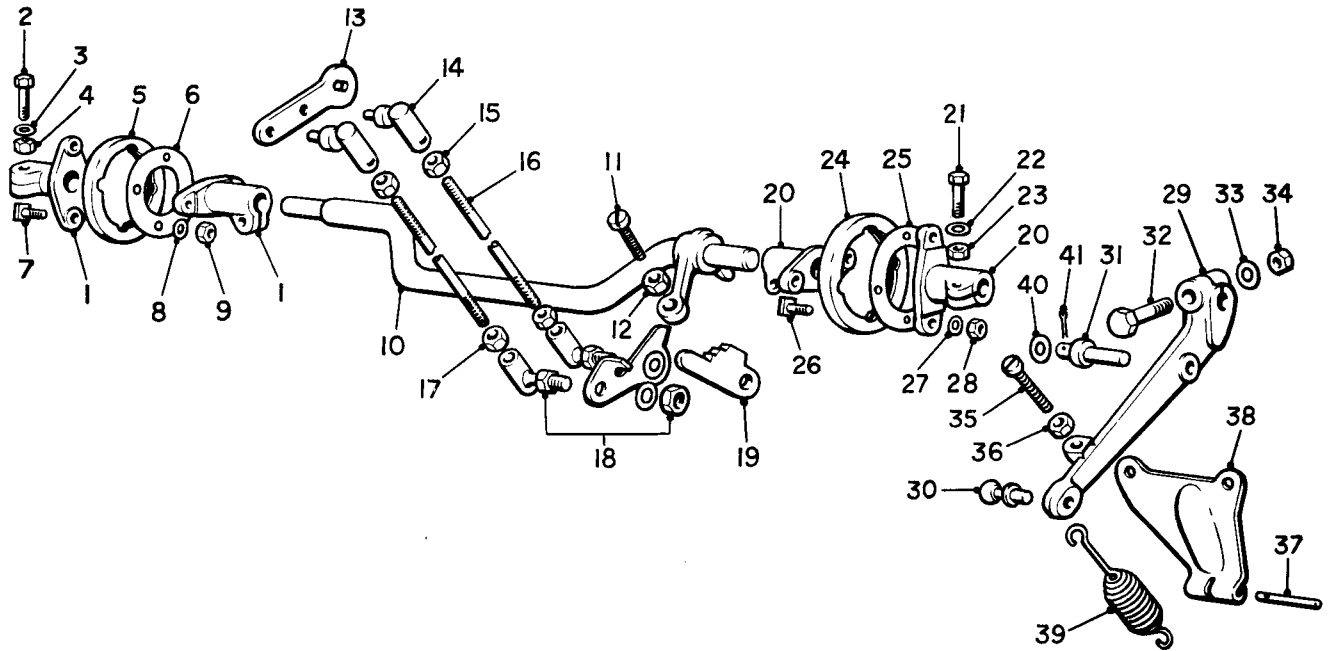
Auto Transmission chassis

CONTROLS (R.C.)



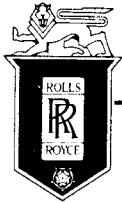
SPARES schedule

SILVER CLOUD AND BENTLEY 'S' TYPE



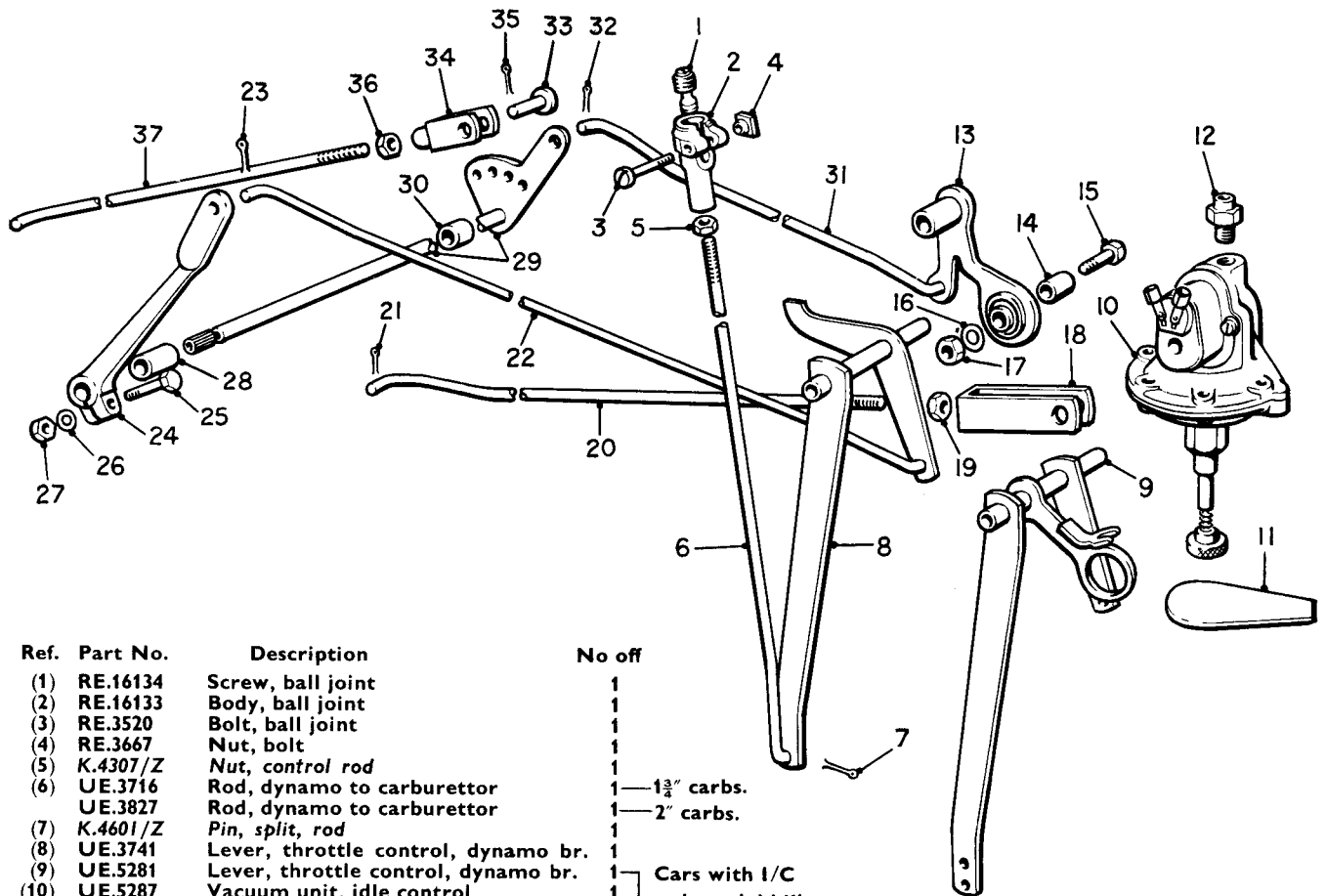
| Ref. | Part No. | Description | No off | Ref. | Part No. | Description | No off |
|------|----------|--|--------|------|-----------|-----------------------------|--------|
| (1) | RE.17012 | Coupling, carb., rear | 2 | (20) | RE.17012 | Coupling, carb., front | 2 |
| (2) | UE.2676 | Bolt, coupling | 2 | (21) | UE.2676 | Bolt, coupling | 2 |
| (3) | K.9005/Z | Washer, bolt | 2 | (22) | K.9005/Z | Washer, bolt | 2 |
| (4) | K.4005/Z | Nut, bolt | 2 | (23) | K.4005/Z | Nut, bolt | 2 |
| (5) | RE.21936 | Cover, coupling ring | 1 | (24) | RE.21936 | Cover, coupling ring | 1 |
| (6) | RE.17047 | Ring, coupling | 1 | (25) | RE.17047 | Ring, coupling | 1 |
| (7) | UE.2659 | Bolt, coupling | 4 | (26) | UE.2659 | Bolt, coupling | 4 |
| (8) | K.8829/R | Washer, bolt | 4 | (27) | K.8829/R | Washer, bolt | 4 |
| (9) | RE.19728 | Nut, bolt | 4 | (28) | RE.19728 | Nut, bolt | 4 |
| (10) | UE.2980 | Shaft, carb. to fast idle cam lever | 1 | (29) | UE.2927 | LEVER, THROTTLE, ASSY. | 1 |
| (11) | RE.17013 | Screw, adjusting, cam lever | 1 | (29) | UE.2928 | Lever | 1 |
| (12) | K.4307/Z | Nut, screw | 1 | (30) | RE.3527 | Pin, ball | 1 |
| | UE.506 | LEVER, ASSY., BUTTERFLY OP. | 1 | (31) | UE.2604 | Pin, spring | 1 |
| (13) | UE.505 | Lever | 1 | (32) | UA.1503/Z | Bolt, clamping, lever | 1 |
| (14) | RE.17018 | Joint, ball assembly | 2 | (33) | K.4404/Z | Washer, bolt | 1 |
| (15) | RE.14872 | Nut, control rod, R.H. thread | 2 | (34) | K.4006/Z | Nut, bolt | 1 |
| (16) | RE.16545 | Rod, thermostat to butterfly valve | 1 | (35) | UE.2981 | Setscrew, lever | 1 |
| | RE.16545 | Rod, fast idle link to butterfly valve | 1 | (36) | K.4304/Z | Nut, setscrew | 1 |
| (17) | RE.16502 | Nut, control rod, L.H. thread | 2 | | UE.2652 | PLATE, SPRING ANCHOR, ASSY. | 1 |
| (18) | UE.2719 | LINK, ASSY. FAST IDLE CAM. | 1 | (37) | UE.2651 | Pin | 1 |
| | RE.10866 | Joint, ball assembly | 1 | (38) | UE.2603 | Plate | 1 |
| | K.9006/Z | Washer | 1 | (39) | UE.2617 | Spring, return | 1 |
| | K.4307/Z | Nut | 1 | (40) | K.4446/Z | Washer, spring | 1 |
| (19) | RE.21735 | Cam, fast idle | 1 | (41) | K.4601/Z | Pin, split, spring | 1 |

CONTROLS (L.C.)



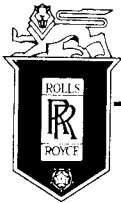
SPARES schedule

SILVER CLOUD AND BENTLEY 'S' TYPE



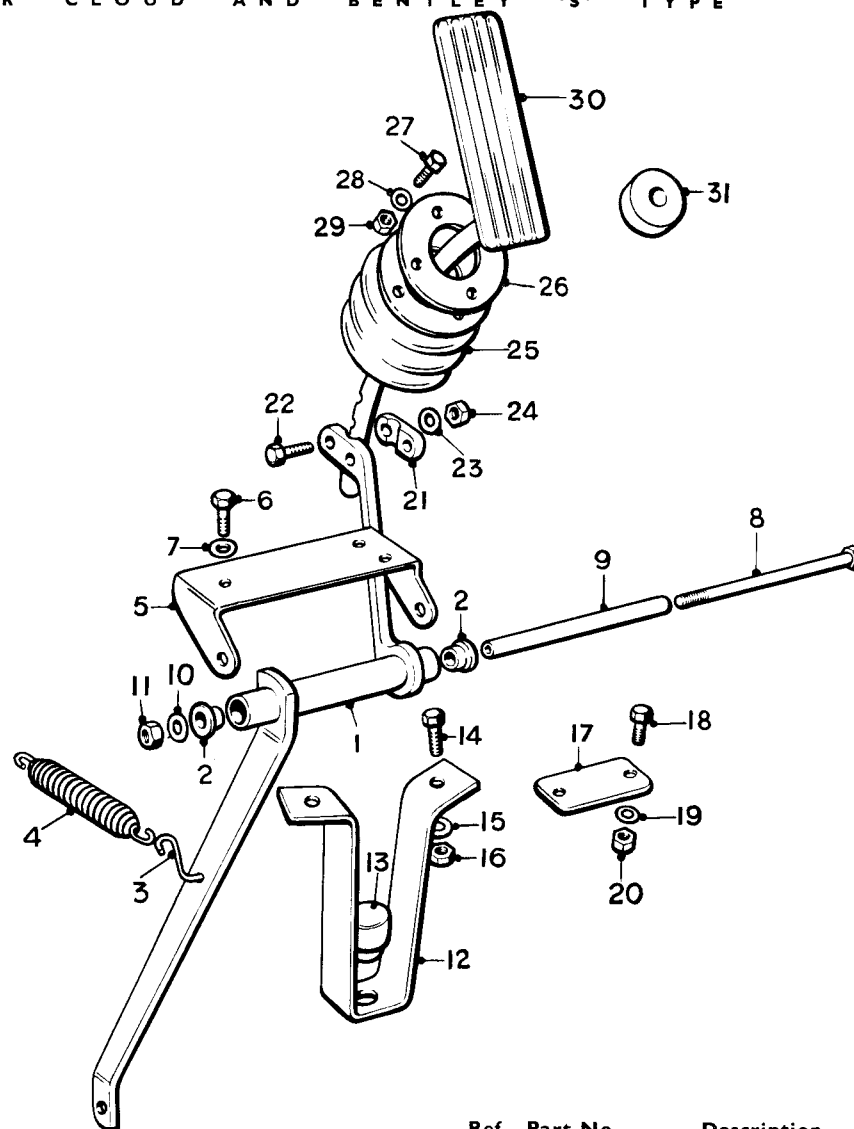
| Ref. | Part No. | Description | No off |
|------|-----------|--|--------------------------|
| (1) | RE.16134 | Screw, ball joint | 1 |
| (2) | RE.16133 | Body, ball joint | 1 |
| (3) | RE.3520 | Bolt, ball joint | 1 |
| (4) | RE.3667 | Nut, bolt | 1 |
| (5) | K.4307/Z | Nut, control rod | 1 |
| (6) | UE.3716 | Rod, dynamo to carburettor | 1—1 3/4" carbs. |
| | UE.3827 | Rod, dynamo to carburettor | 1—2" carbs. |
| (7) | K.4601/Z | Pin, split, rod | 1 |
| (8) | UE.3741 | Lever, throttle control, dynamo br. | 1 |
| (9) | UE.5281 | Lever, throttle control, dynamo br. | 1 |
| (10) | UE.5287 | Vacuum unit, idle control | 1—Cars with I/C |
| (11) | UE.5286 | Mounting plate | 1— and special idling |
| (12) | UE.5283 | Adaptor, pipe | 1— speed switch gear |
| (13) | UE.1264 | LEVER, CRANKCASE, T.V. ASSY. | 1 |
| | RF.6501 | Bush assembly | 1 |
| (14) | RG.5763 | Piece, distance, bush | 1 |
| (15) | KC.174/Z | Screw, set, jaw, accelerator rod | 1 |
| (16) | K.4404/Z | Washer, jaw | 1 |
| (17) | K.4307/Z | Nut, jaw | 1 |
| (18) | UE.1859 | Jaw | 1 |
| (19) | K.4307/Z | Nut, accelerator rod | 1 |
| (20) | UE.1256 | Rod, accelerator to dynamo bracket | 1 |
| (21) | K.4601/Z | Pin, split, rod | 1 |
| (22) | UE.635 | Rod, T.V. dynamo br. to bell housing | 1 |
| (23) | K.4601/Z | Pin, split, rod | 1 |
| (24) | UE.1076 | Lever, T.V. bell housing | 1 |
| (25) | KC.155/Z | Bolt, T.V. lever | 1 |
| (26) | K.4404/Z | Washer, bolt | 1 |
| (27) | K.4307/Z | Nut, bolt | 1 |
| (28) | RE.18272 | Piece, distance, R.H. T.V. con. shaft | 1 |
| (29) | UE.642 | Shaft, T.V. control, bell housing | 1 |
| (30) | RE.18454 | Piece, distance, L.H., T.V. con. shaft | 1—Auto transmission only |
| (31) | UE.1255 | Rod, crankcase lever to control shaft | 1 |
| (32) | K.4601/Z | Pin, split, control rod | 2 |
| (33) | KB.4507/Z | Pin, jaw, control rod | 1 |
| (34) | RE.18735 | Jaw | 1 |
| (35) | K.4601/Z | Pin, split, control rod pin | 1 |
| (36) | K.4307/Z | Nut, jaw | 1 |
| (37) | UE.1086 | Rod, bell housing to gearbox | 1 |

CONTROLS (L.C.)



SPARES schedule

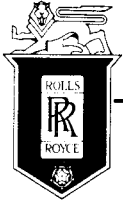
SILVER CLOUD AND BENTLEY 'S' TYPE



| Ref. | Part No. | Description | No off | Ref. | Part No. | Description | No off |
|------|------------|--------------------------------|--------|------|-----------|---------------------------|--------|
| (1) | UR.1047 | LEVER, ACCELERATOR PEDAL ASSY. | 1 | (16) | K.4006/Z | Nut, screw | 2 |
| | UR.1048 | Lever, throttle | 1 | (17) | 173/356 | Plate, blanking, bracket | 1 |
| (2) | RF.9423 | Bush, "Oilite" | 2 | (18) | KC.151/Z | Screw, blanking, plate | 2 |
| | UR.557 | Boss, pedal | 1 | (19) | K.4404/Z | Washer, screw | 2 |
| | UR.834 | Lever, pedal | 1 | (20) | K4307/Z | Nut, screw | 2 |
| (3) | RG.5050 | Link, spring, pull-off | 2 | | UA.151/Z | Screw, blanking, on-stop | 1 |
| (4) | GB.5097 | Spring, pedal | 1 | | UA.1252/Z | Washer, screw | 1 |
| (5) | UR.2671 | Bracket, support | 1 | (21) | RF.9427 | Piece, clamping, pedal | 1 |
| (6) | CS.30542/Z | Screw, bracket | 3 | (22) | K.132/Z | Bolt, clamping piece | 2 |
| (7) | K.4404/Z | Washer, screw | 3 | (23) | K.4404/Z | Washer, bolt | 2 |
| (8) | UR.555 | Bolt, pivot | 1 | (24) | K.4307/Z | Nut, bolt | 2 |
| (9) | UR.556 | Piece, distance, bolt | 1 | (25) | UR.1008 | Seal, pedal | 1 |
| (10) | K.4404/Z | Washer, bolt | 1 | (26) | UR.895 | Plate, seal retaining | 1 |
| (11) | K.4307/Z | Nut, bolt | 1 | (27) | KC.151/Z | Screw, seal | 4 |
| (12) | UR.2613 | Bracket, on-stop | 1 | (28) | K.4404/Z | Washer, screw | 4 |
| (13) | UR.1234 | Buffer, rubber, on-stop | 1 | (29) | K.4307/Z | Nut, screw | 4 |
| (14) | CS.30102/Z | Screw, bracket | 2 | (30) | UR.547 | PEDAL, ACCELERATOR, ASSY. | 1 |
| (15) | K.4404/Z | Washer, screw | 2 | | FB.3770 | Plate, pedal | 1 |
| | | | | | UR.548 | Holder, pedal | 1 |
| | | | | (31) | FB.3777 | Stop, rubber, pedal | 1 |

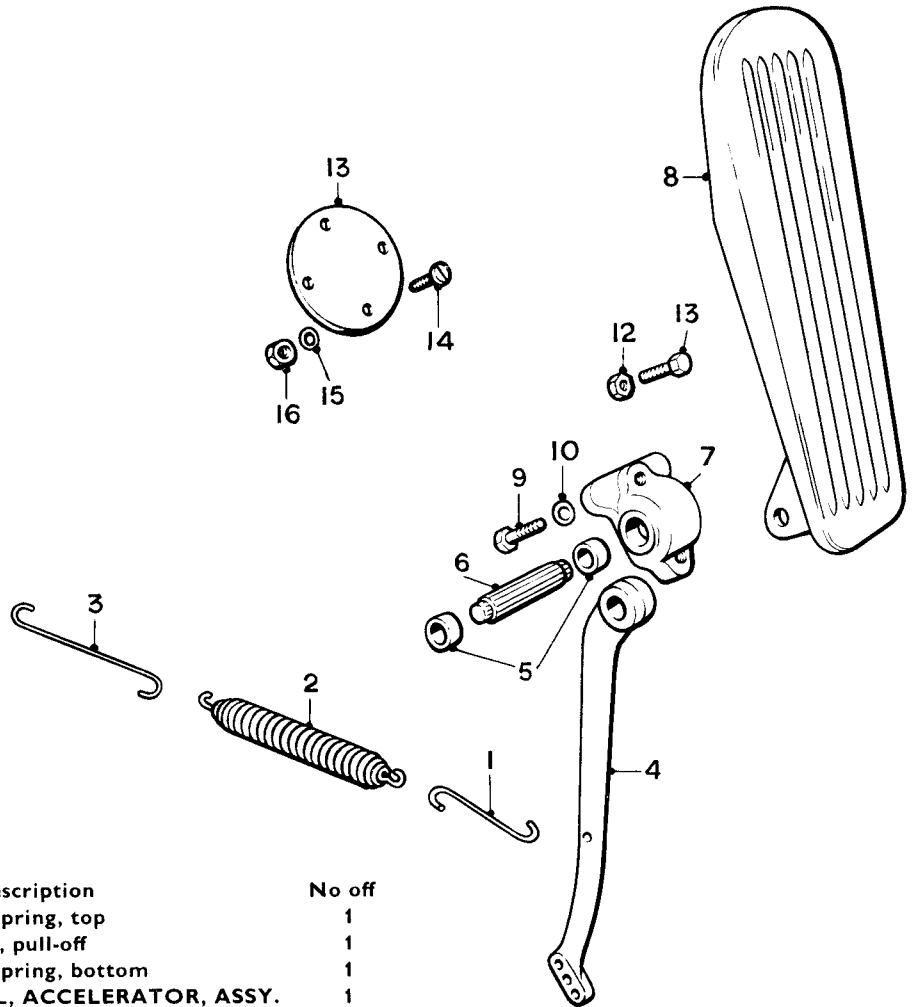
(Synchro "Continental" only)

FUEL SYSTEM ACCELERATOR PEDAL (R.C.)



SPARES schedule

SILVER CLOUD AND BENTLEY 'S' TYPE



| Ref. | Part No. | Description | No off |
|------|------------|----------------------------------|--------|
| (1) | UR.2863 | Link, spring, top | 1 |
| (2) | GB.5097 | Spring, pull-off | 1 |
| (3) | RG.3976 | Link, spring, bottom | 1 |
| | RF.9801 | PEDAL, ACCELERATOR, ASSY. | 1 |
| (4) | RF.9802 | Lever | 1 |
| (5) | RF.6466 | Bush, bracket | 2 |
| (6) | RF.6465 | Pin, pivot | 1 |
| (7) | RF.7045 | Bracket, pivot | 1 |
| (8) | RF.7042 | PEDAL, ACCELERATOR | 1 |
| | RF.7043 | PLATE AND BRACKET | 1 |
| | RF.6468 | Bracket, pivot | 1 |
| | RF.7044 | Plate, pedal | 1 |
| (9) | KC.171/Z | Setscrew, bracket | 2 |
| (10) | K.4404/Z | Washer, setscrew | 2 |
| (11) | UA.166/Z | Setscrew, 2.375", on-stop | 1 |
| | UA.169/Z | Setscrew, 2.750", on stop | 1 |
| | | Alt. | |
| (12) | UA.352/Z | Nut, setscrew | 1 |
| (13) | 173/358 | Plate, blanking | 1 |
| (14) | KC.152/Z | Screw, blanking plate | 4 |
| (15) | K.4404/Z | Washer, screw | 4 |
| (16) | K.4307/Z | Nut, screw | 4 |
| | CS.30102/Z | Screw, blanking, toe board | 1 |
| | K.4404/Z | Washer, screw | 1 |
| | K.4006/Z | Nut, screw | 1 |

FUEL SYSTEM ACCELERATOR PEDAL (L.C.)